



US00D346546S

United States Patent [19]

[11] Patent Number: **Des. 346,546**

Tesmar, Jr.

[45] Date of Patent: **** May 3, 1994**

[54] **BEND SUPPORT FOR FLEXIBLE CONDUIT**

5,209,439 5/1993 Coll 248/65

[75] Inventor: **Thomas E. Tesmar, Jr., Hudson, Wis.**

OTHER PUBLICATIONS

[73] Assignee: **Wirsbo Company, Apple Valley, Minn.**

Wirsbo Company Product Catalog Mar. 15, 1991, p. 5.

[**] Term: **14 Years**

Primary Examiner—Wallace R. Burke

[21] Appl. No.: **3,661**

Assistant Examiner—H. Baynham

[22] Filed: **Jan. 13, 1993**

Attorney, Agent, or Firm—Kinney & Lange

[52] U.S. Cl. **D8/356**

[58] Field of Search **D8/356; 248/49, 51, 248/56, 60, 65, 71, 74.1**

[57] CLAIM

The ornamental design for a bend support for flexible conduit, as shown and described.

[56] References Cited

DESCRIPTION

U.S. PATENT DOCUMENTS

2,058,752	10/1936	Wray	248/65
3,853,148	12/1974	De Vincent et al.	248/74.1 X
4,795,114	1/1989	Usui et al.	248/74.1 X
4,858,861	8/1989	Wilkinson, III	248/74.1
4,886,228	12/1989	Kennedy	248/71 X
4,909,462	3/1990	Usui	248/74.1
5,078,346	1/1992	Deichman	248/49 X

FIG. 1 is a perspective view of a bend support for flexible conduit showing the front, top and right side of my new design;

FIG. 2 is a right side elevational view thereof;

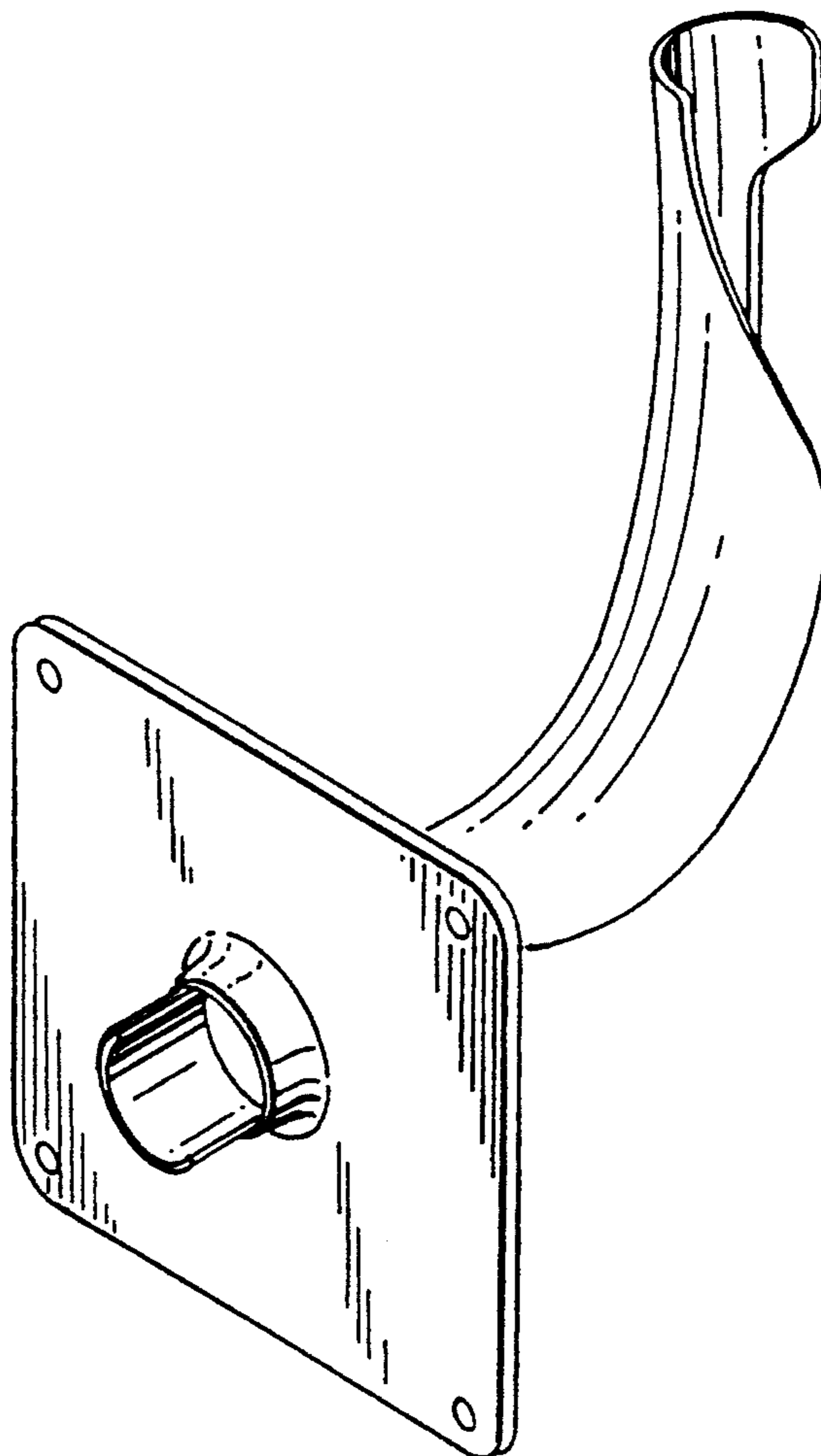
FIG. 3 is a left side elevational view thereof;

FIG. 4 is a front elevational view thereof;

FIG. 5 is a rear elevational view thereof;

FIG. 6 is a top plan view thereof; and,

FIG. 7 is a bottom plan view thereof.



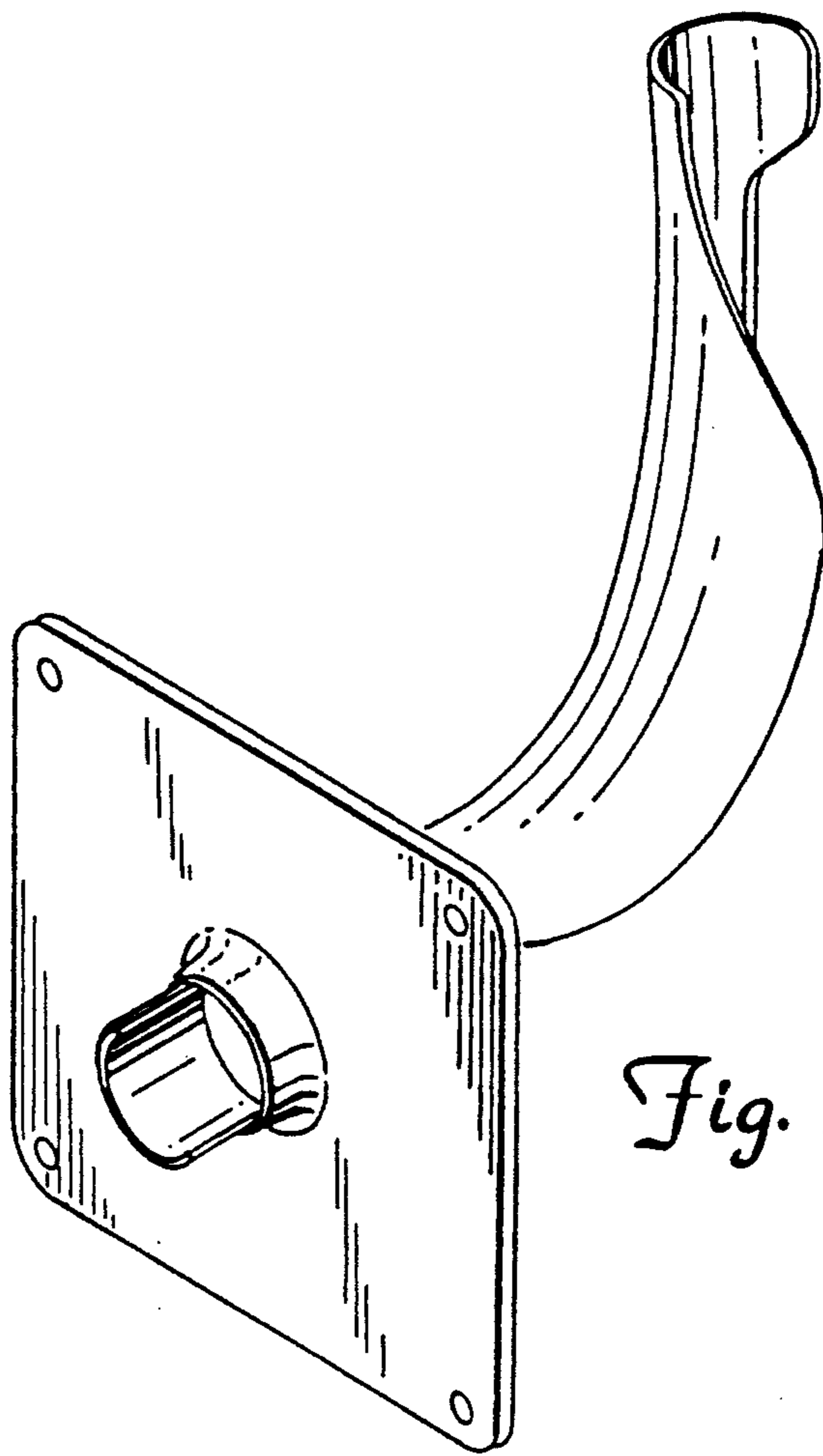


Fig. 1

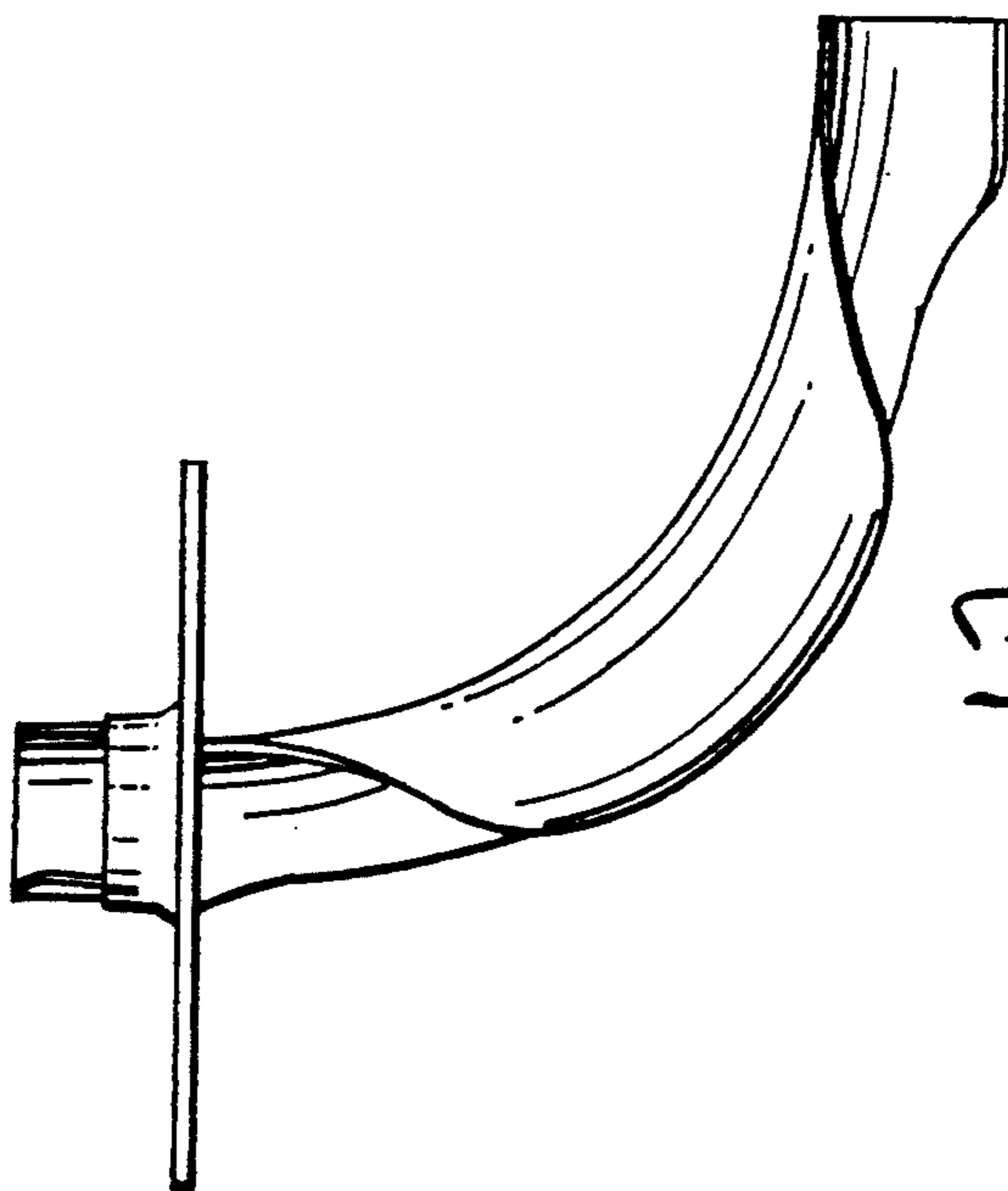


Fig. 2

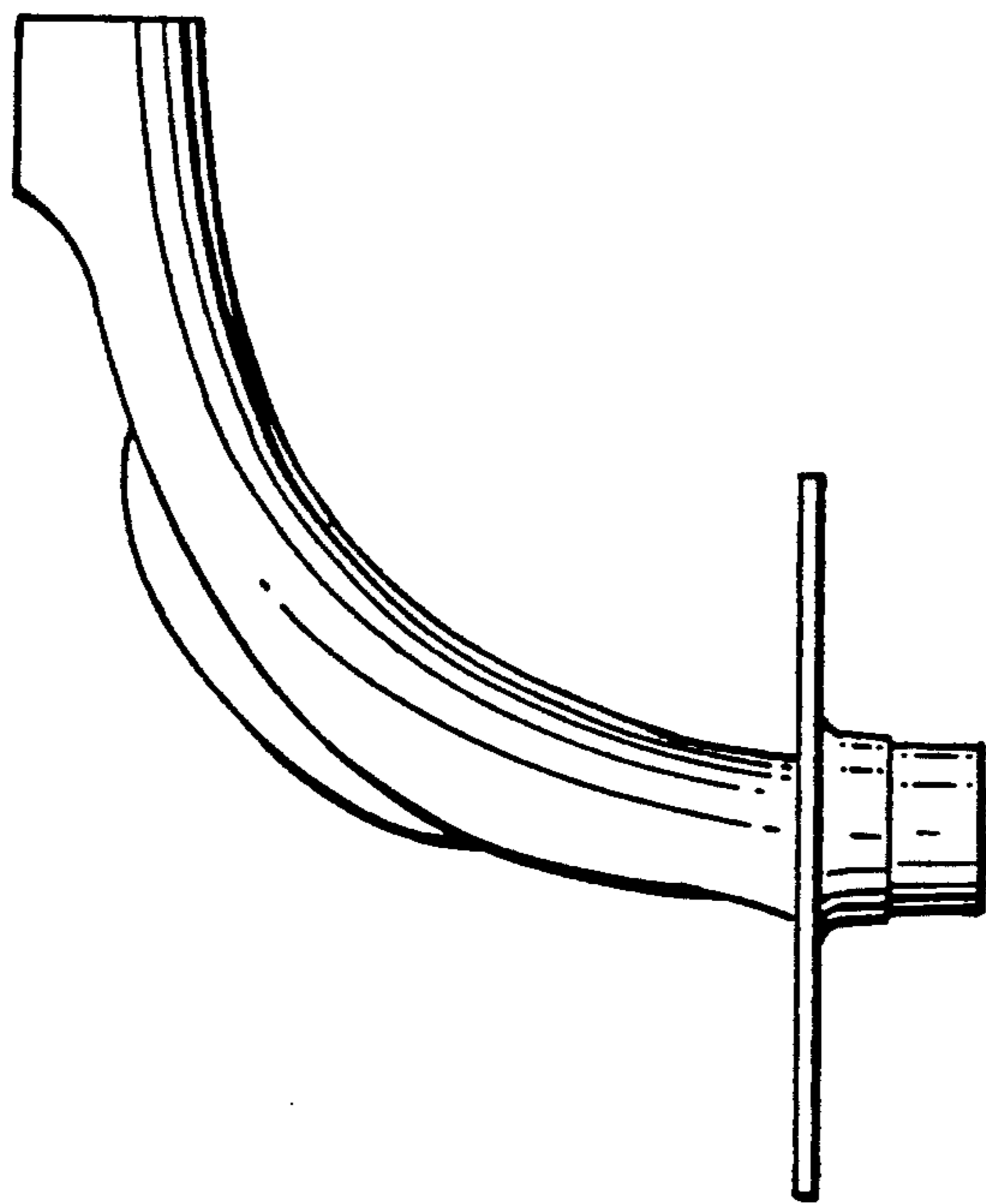


Fig. 3

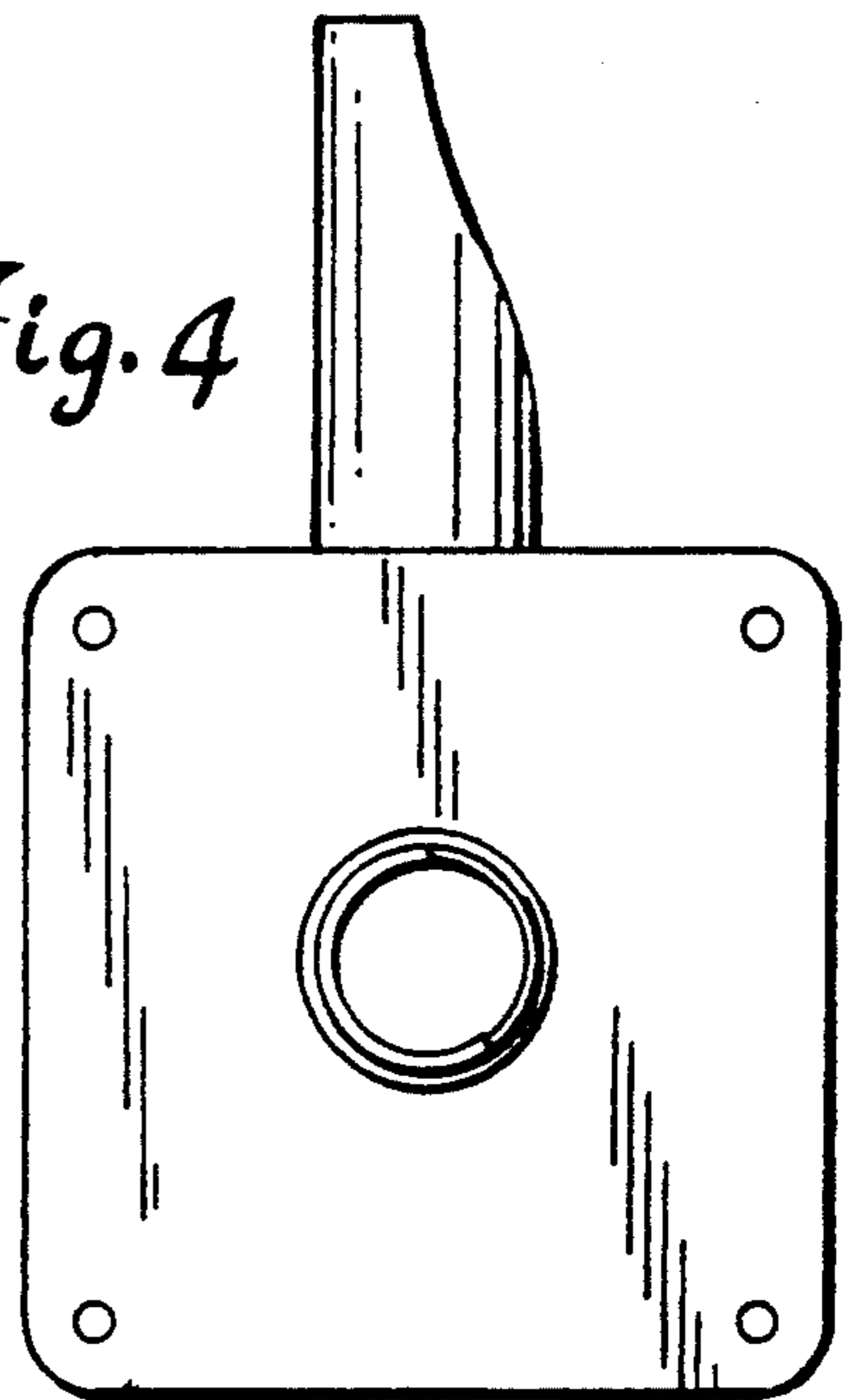


Fig. 4

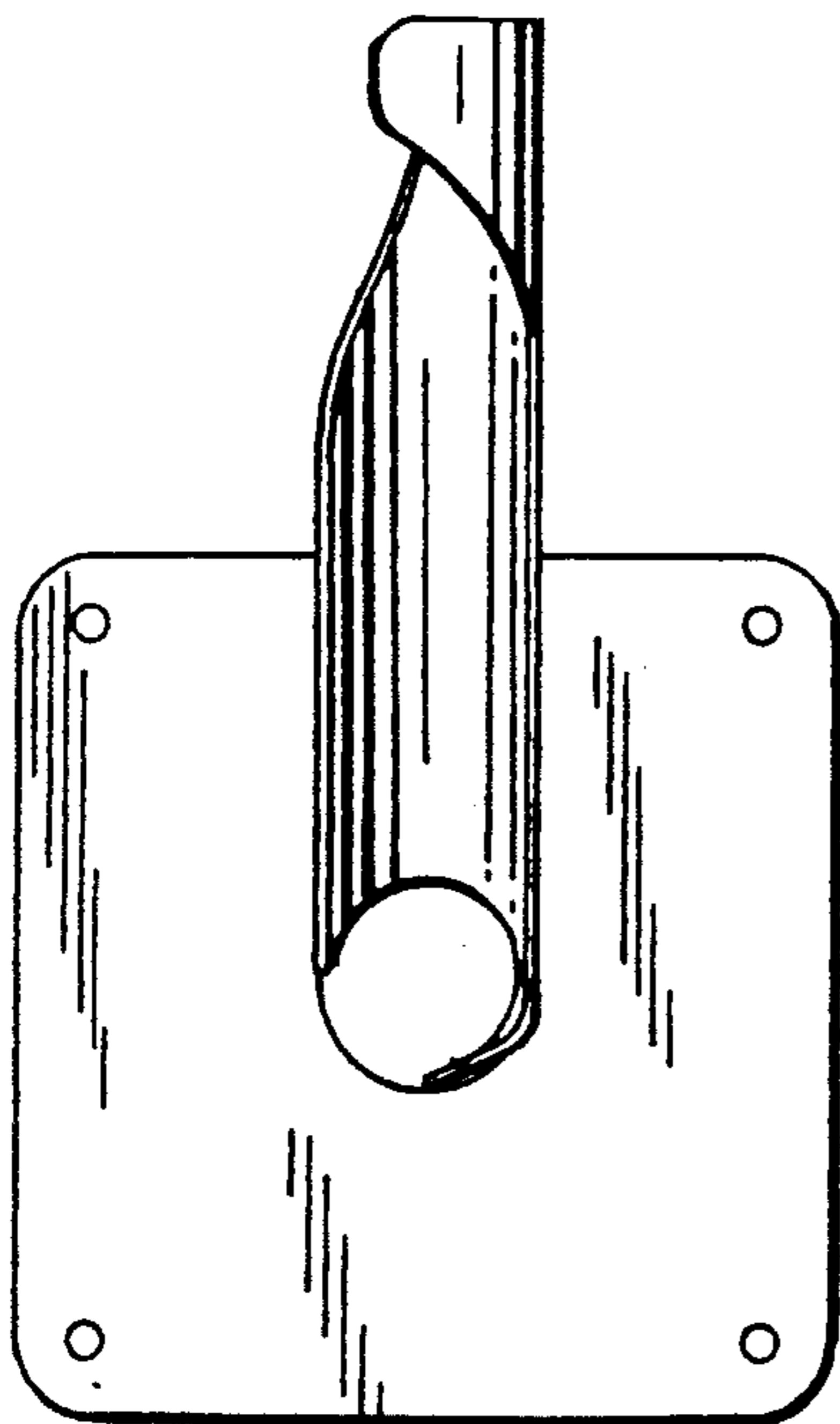


Fig. 5

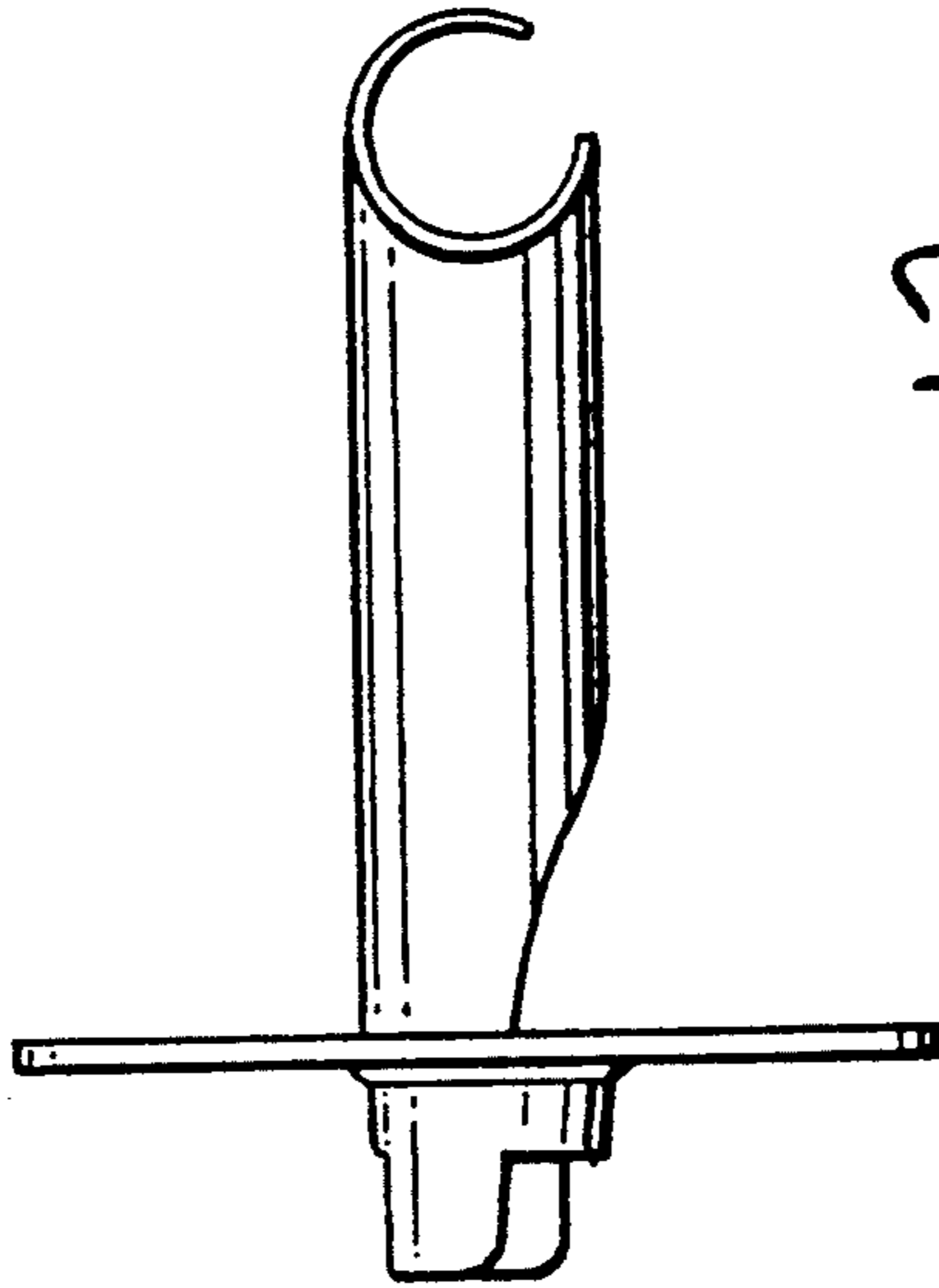


Fig. 6

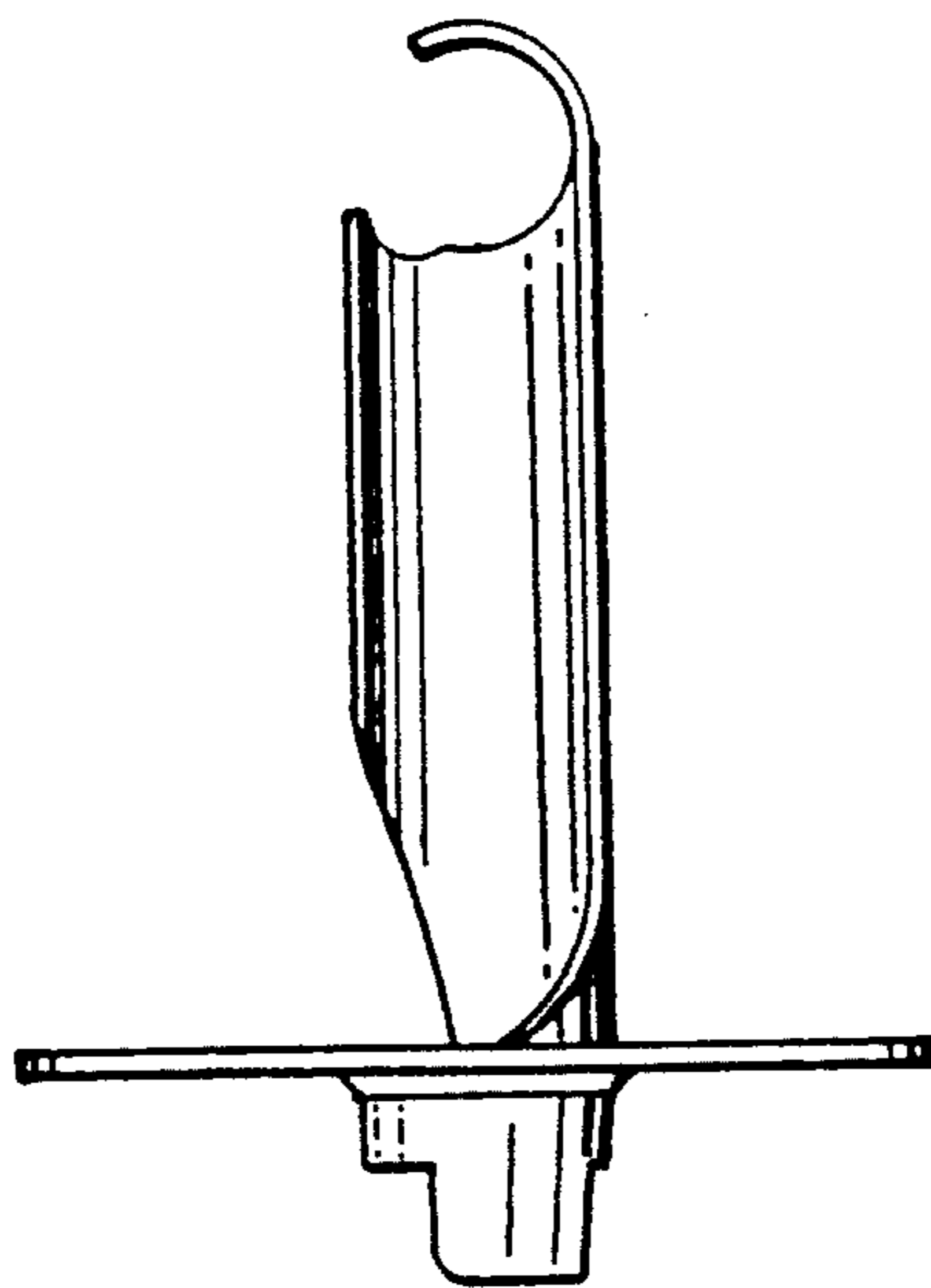


Fig. 7