



US00D346541S

United States Patent [19]

Somers

[11] Patent Number: **Des. 346,541**

[45] Date of Patent: **** May 3, 1994**

[54] **CHUCK FOR A DRILL**

[75] Inventor: **Robert I. Somers, Forest Hill, Md.**

[73] Assignee: **Black & Decker Inc., Newark, Del.**

[**] Term: **14 Years**

[21] Appl. No.: **503**

[22] Filed: **Oct. 16, 1992**

[52] U.S. Cl. **D8/70**

[58] Field of Search **D8/70; 279/75, 143, 279/145, 61, 63, 902; 408/239 A, 239 R, 238, 240**

[56] **References Cited**

U.S. PATENT DOCUMENTS

1,304,659	5/1919	Cobey	279/63
4,836,563	6/1989	Röhm	279/63
5,062,749	11/1991	Sheets	279/75
5,158,306	10/1992	Röhm	279/902

OTHER DOCUMENTS

Black & Decker Power Tools & Accessories 1987-1988 Catalog, Copyright 1986, Pages 16 and 20-23.
Photograph of 9021 drill/screwdriver (dated before 10/16/92)

Photograph of 7196 drill. (dated before 10/16/92)

Primary Examiner—Alan P. Douglas

Assistant Examiner—Jeffery H. Musgrove

Attorney, Agent, or Firm—Dennis A. Dearing; John D. Del Ponti; Charles E. Yocum

[57] **CLAIM**

The ornamental design for a chuck for a drill, as shown and described.

DESCRIPTION

FIG. 1 is a side elevational view of a chuck for a drill showing my new design. A drill is shown in dotted lines to indicate the environment in which the chuck is used; FIG. 2 is a front perspective view thereof; FIG. 3 is a rear perspective view thereof; FIG. 4 is a side elevational view, the opposite side being a mirror image thereof; FIG. 5 is a front elevational view thereof; and, FIG. 6 is a rear elevational view thereof. In FIGS. 1-6, the base of the chuck (shown in the left side in FIG. 4) is stippled to indicate a dark contrasting color compared to the color of the nose piece of the chuck (shown on the right side in FIG. 4).

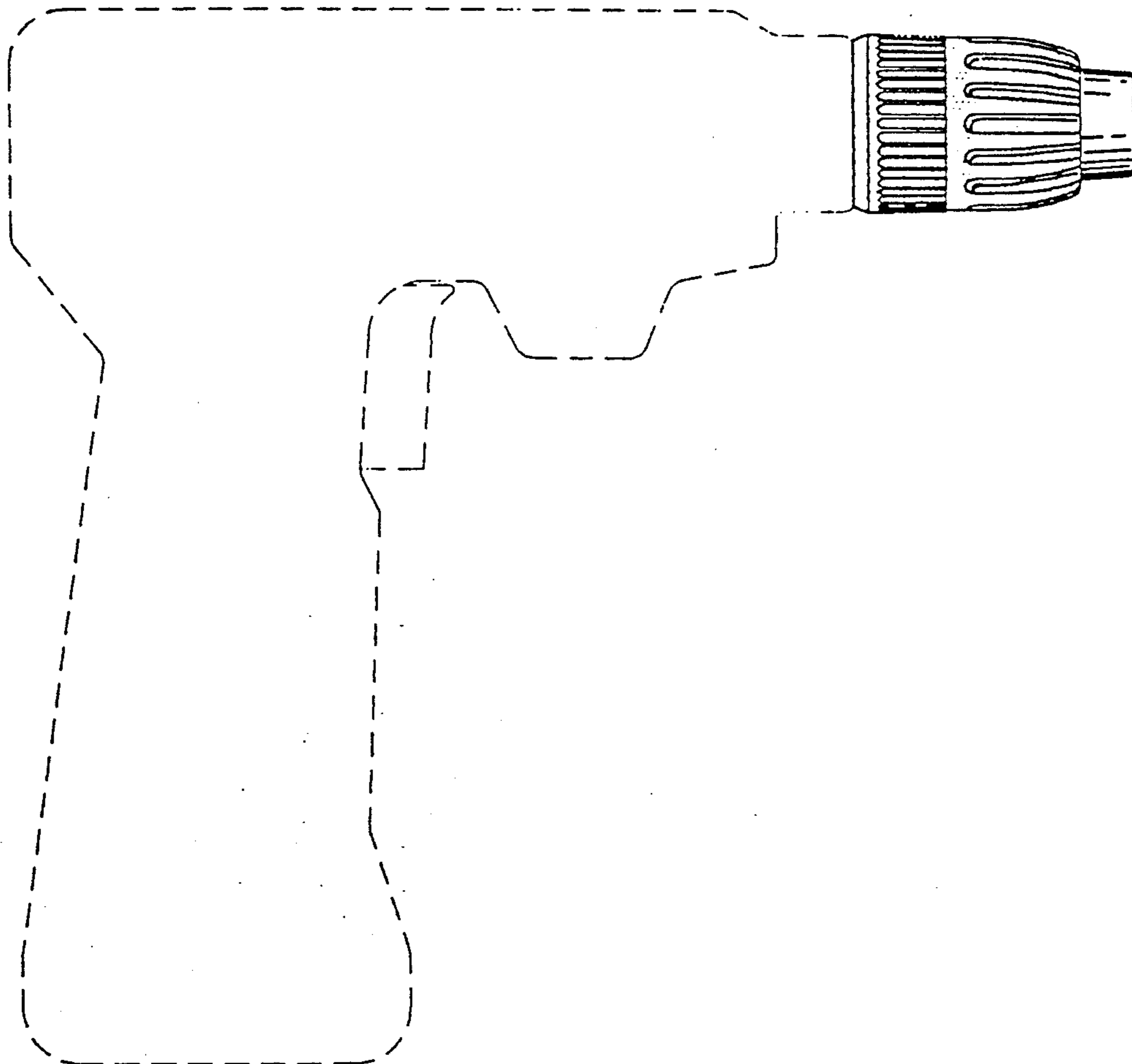


FIG. 1

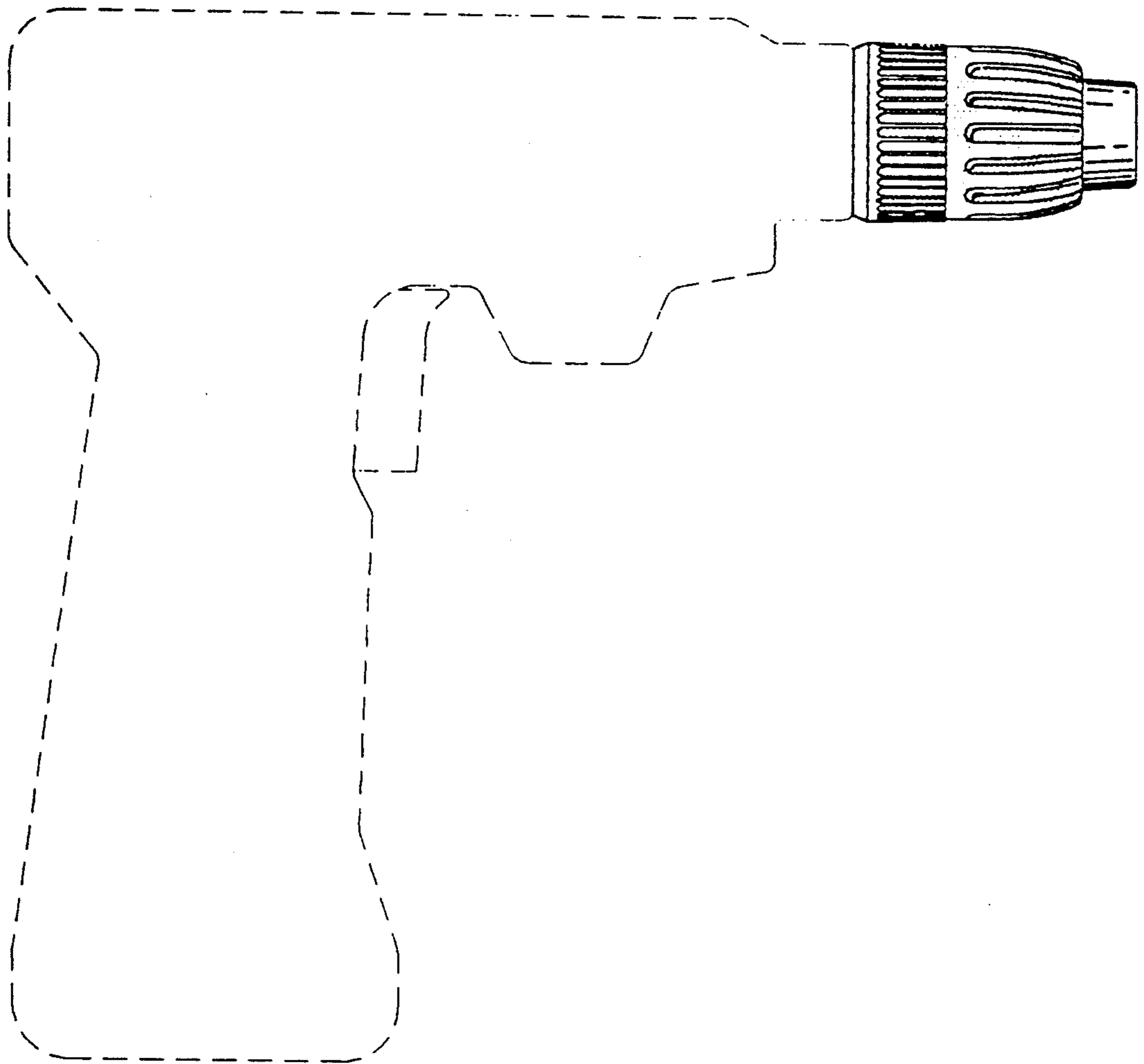


FIG. 2

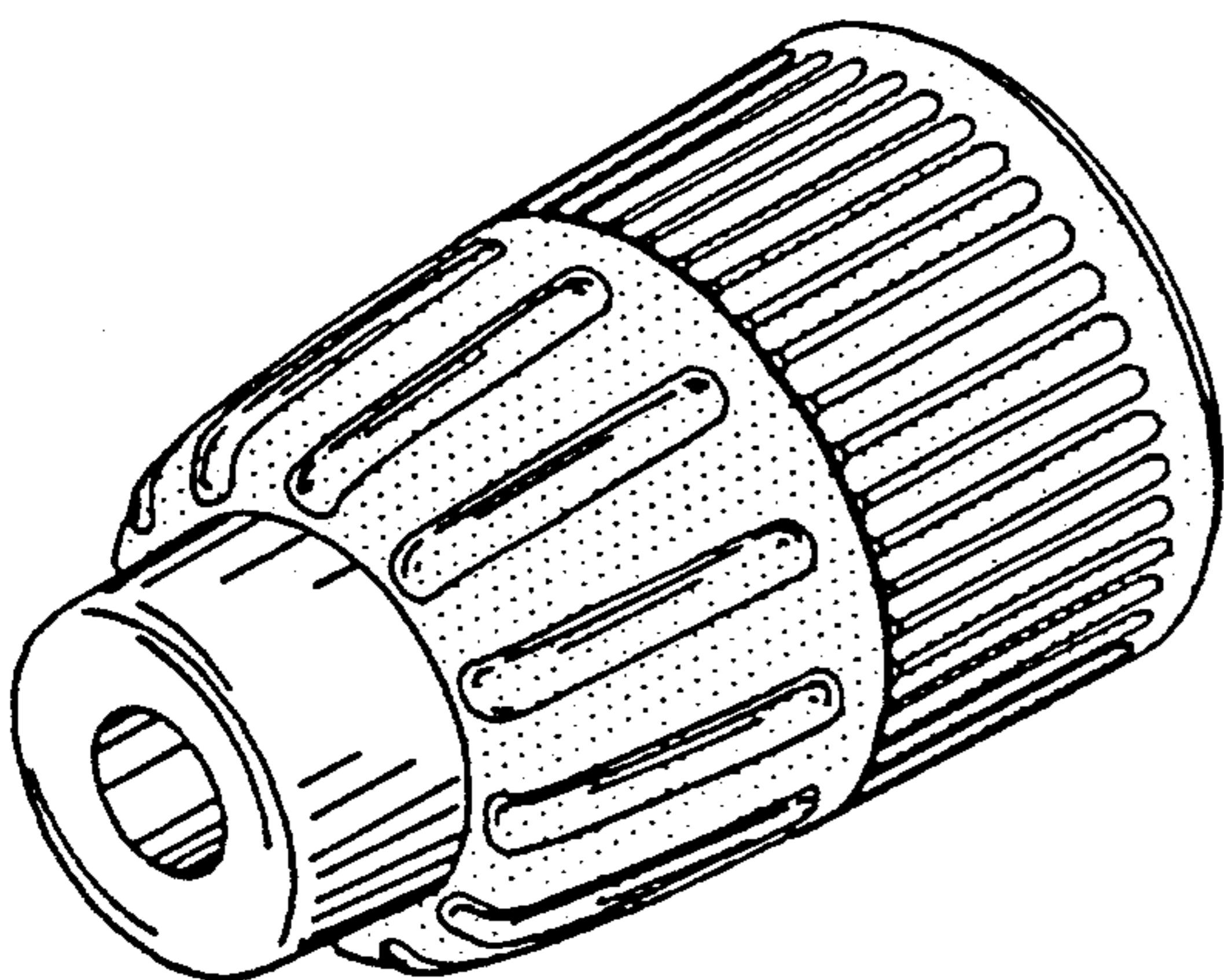


FIG. 3

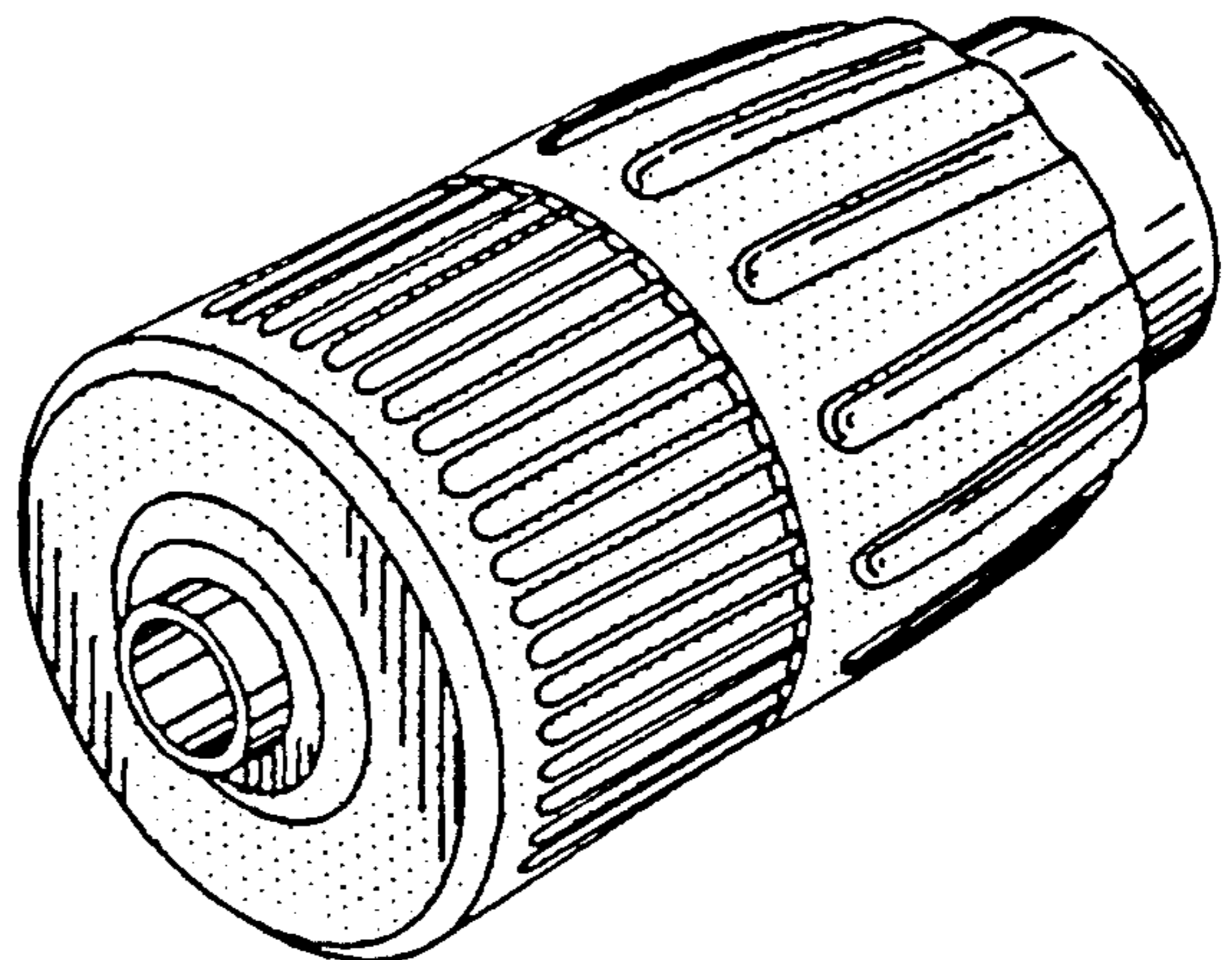


FIG. 4

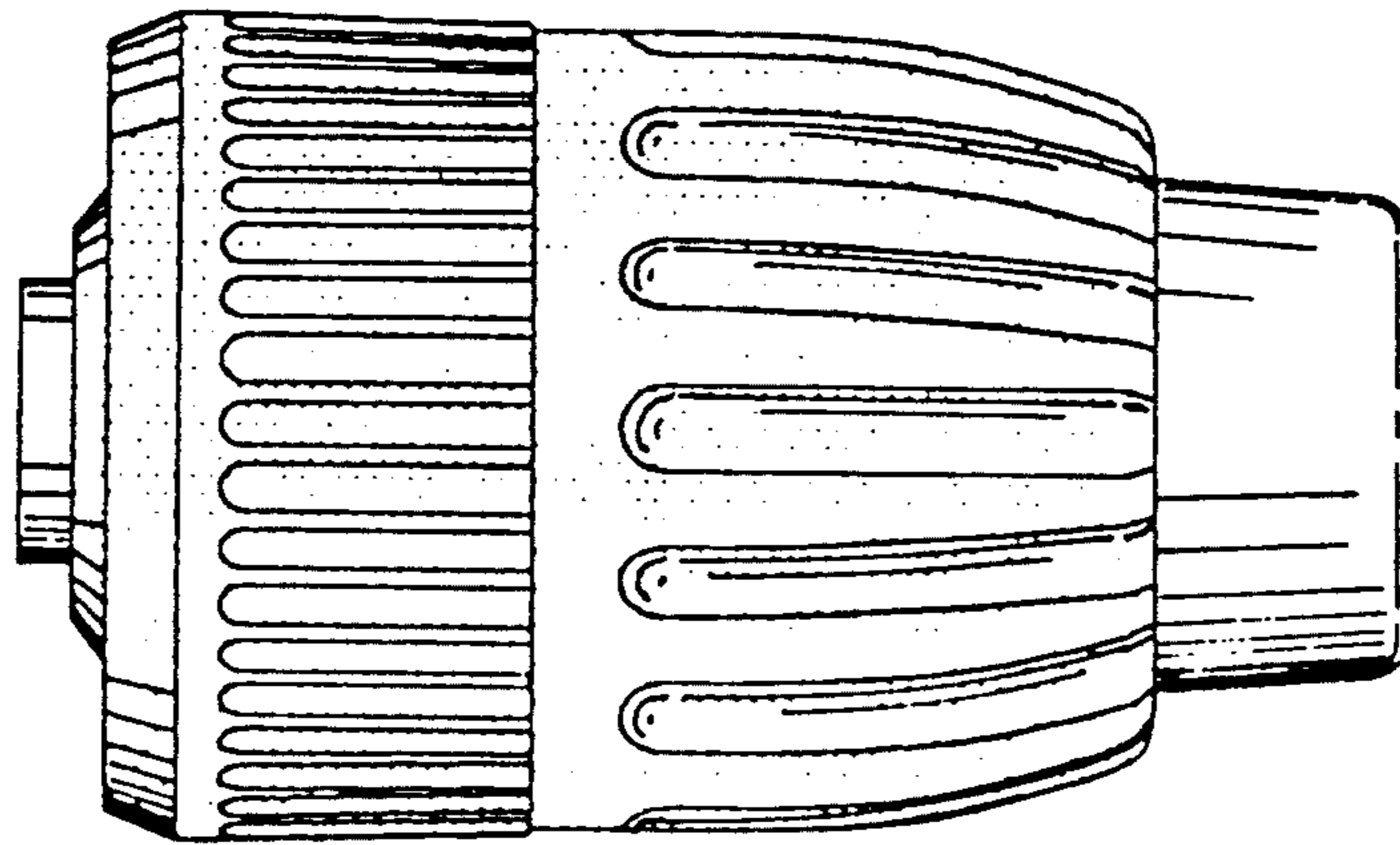


FIG. 5

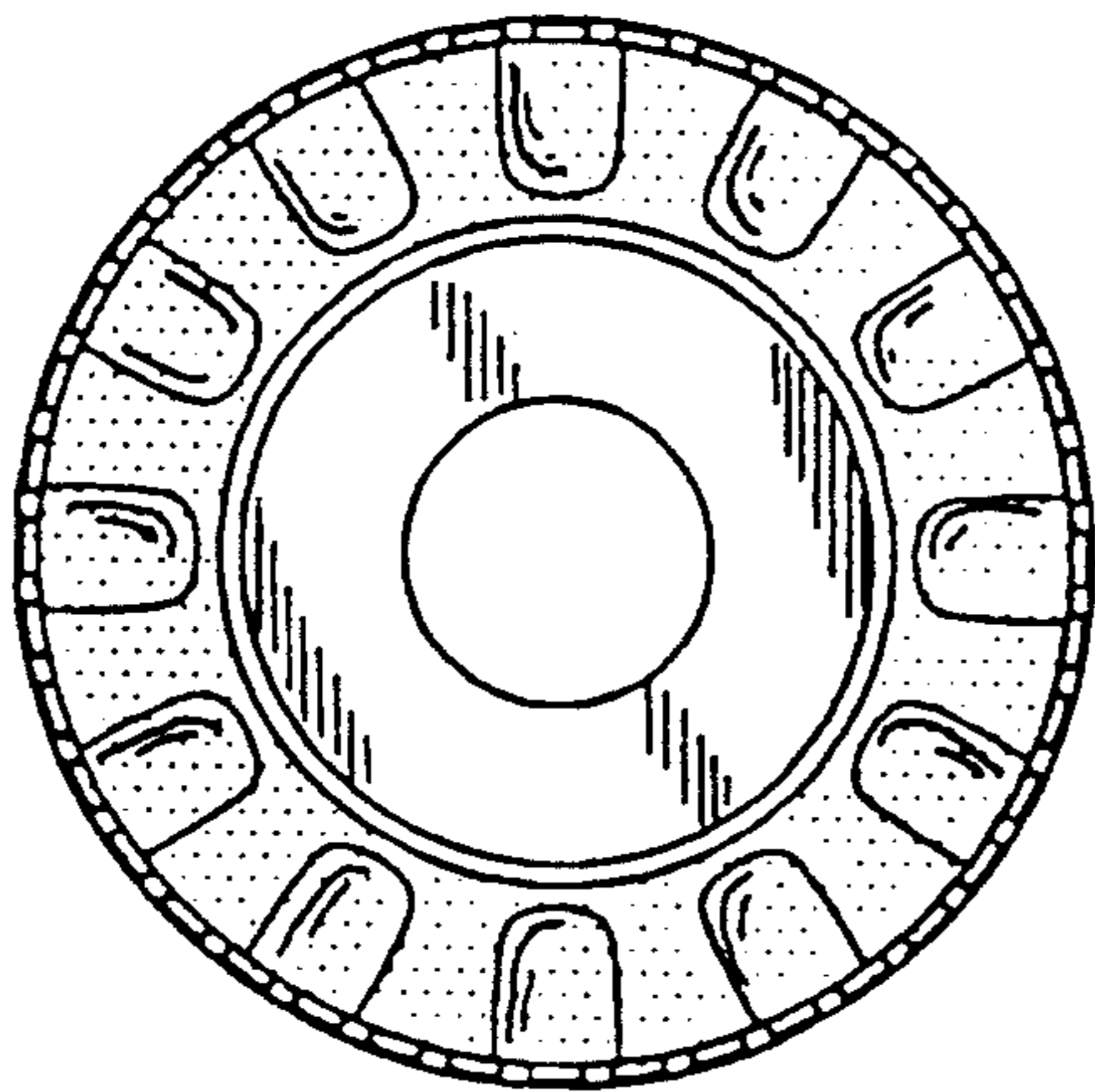


FIG. 6

