



US00D346540S

United States Patent [19]

Crawley

[11] Patent Number: Des. 346,540

[45] Date of Patent: ** May 3, 1994

- [54] **FIXTURE FOR CUTTING A GROOVE IN WINDOW FOAM SPACERS**
- [75] Inventor: **Stephen D. Crawley**, Bloomington, Minn.
- [73] Assignee: **Lake Country Sales, Inc.**, Elysian, Minn.
- [**] Term: **14 Years**
- [21] Appl. No.: **2,765**
- [22] Filed: **Dec. 21, 1992**
- [52] U.S. Cl. **D8/64; D15/127**
- [58] Field of Search **D8/62, 101; 144/134 R, 144/144.5 R, 144 R; 269/87.3; 83/821; D15/127, 131**

- 2,658,302 11/1953 Parker et al.
- 3,349,657 10/1967 Goetz
- 4,379,419 4/1983 Woock et al.
- 4,775,305 10/1988 Alexander et al.
- 4,798,118 1/1989 Carithers, Jr.
- 4,814,185 3/1989 Jones

Primary Examiner—Alan P. Douglas
Assistant Examiner—Jeff H. Musgrove
Attorney, Agent, or Firm—Peterson, Wicks, Nemer & Kamrath

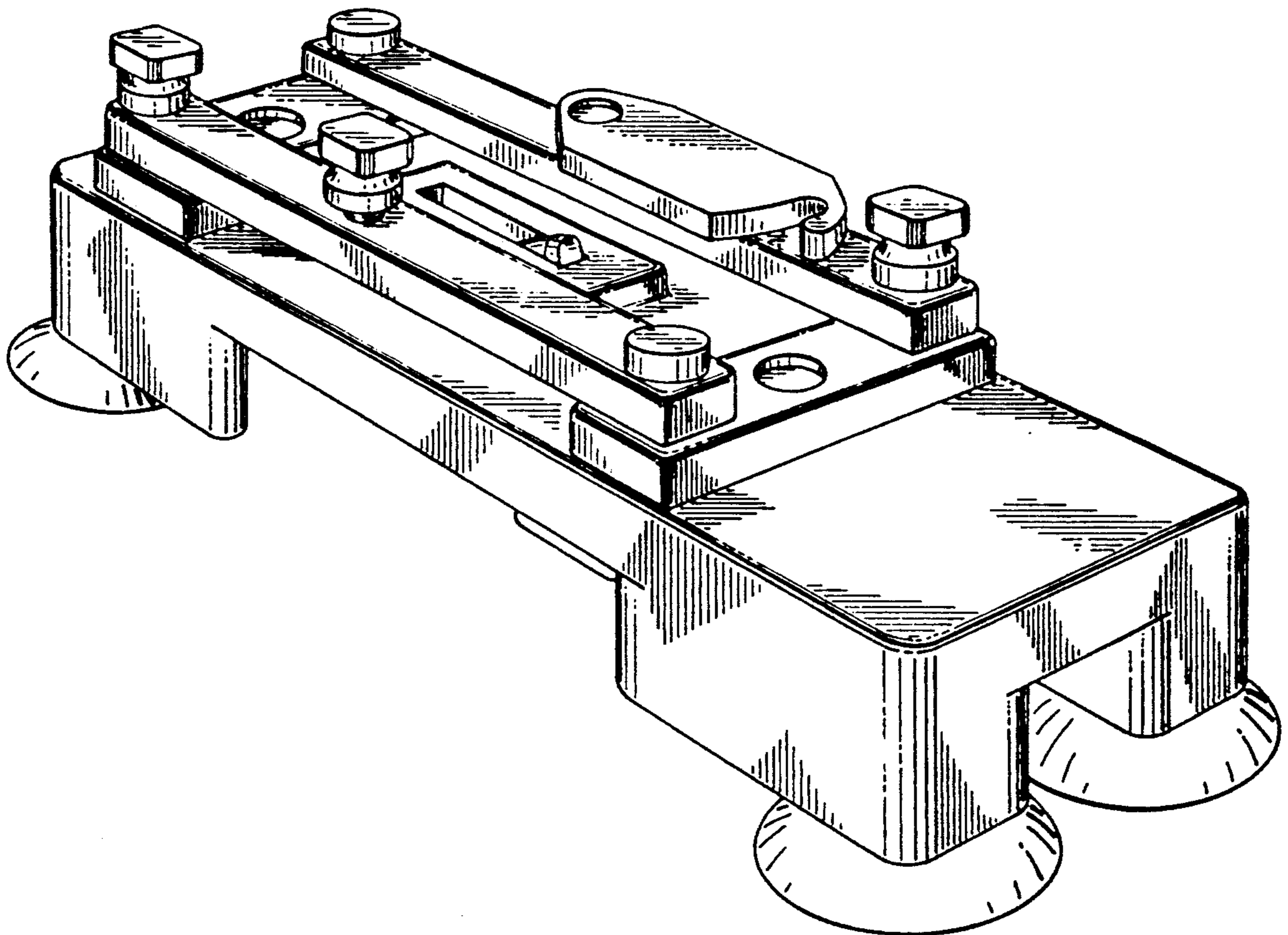
[57] CLAIM

The ornamental design for a fixture for cutting a groove in window foam spacers, as shown and described.

DESCRIPTION

FIG. 1 is a perspective of a fixture for cutting a groove in window foam spacers embodying my new design; FIG. 2 is a top plan thereof; FIG. 3 is a front elevation thereof; FIG. 4 is a left end elevation thereof; FIG. 5 is a right end elevation thereof; FIG. 6 is a rear elevation thereof; and, FIG. 7 is a bottom plan thereof.

- [56] **References Cited**
- U.S. PATENT DOCUMENTS**
- D116,018 8/1939 Cathcard
- D157,105 1/1950 Unsinger
- D274,121 6/1984 O'Neill et al.
- D302,236 7/1989 Crawford
- D337,929 8/1993 Campfield, Jr.



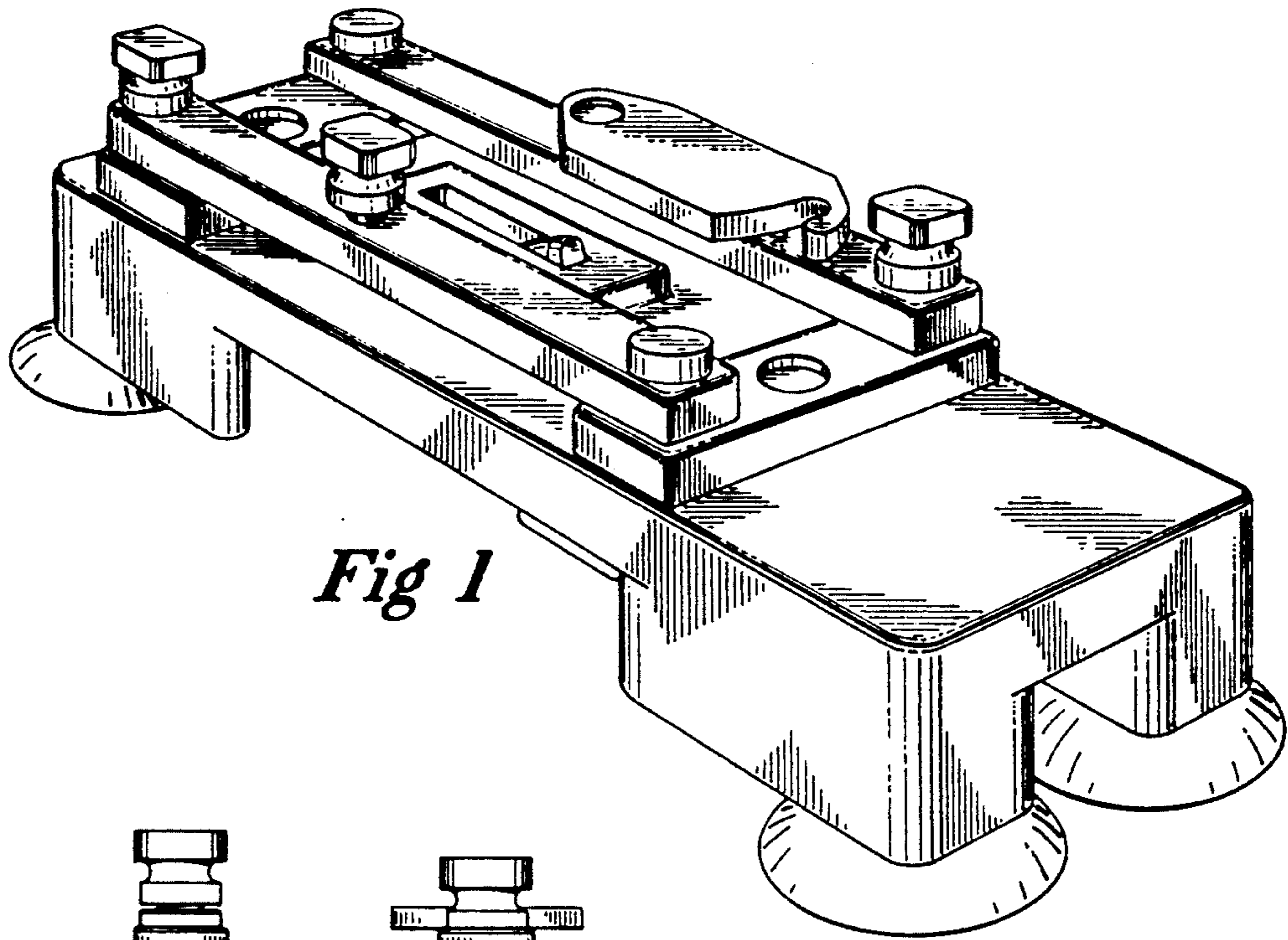


Fig 1

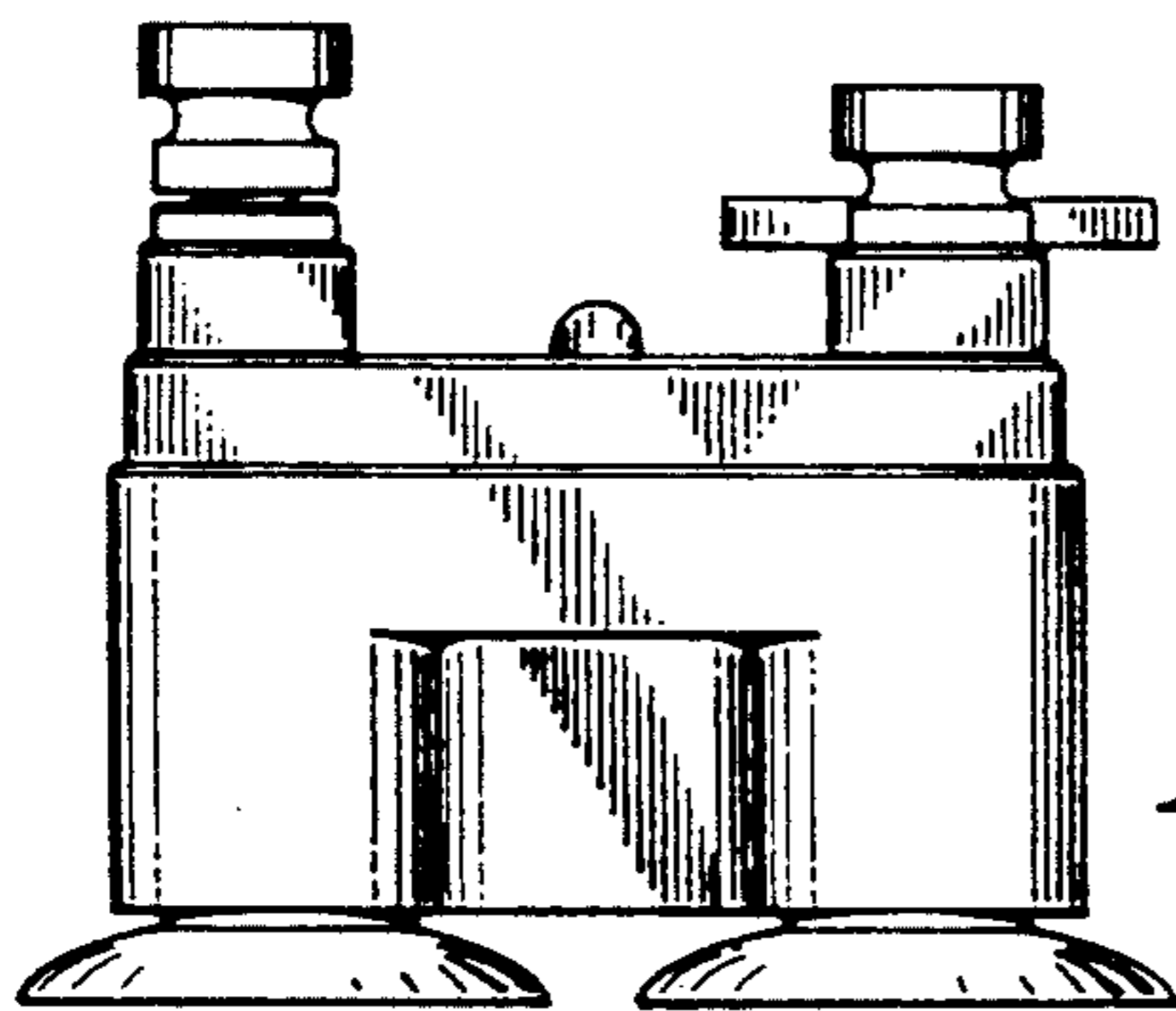


Fig 4

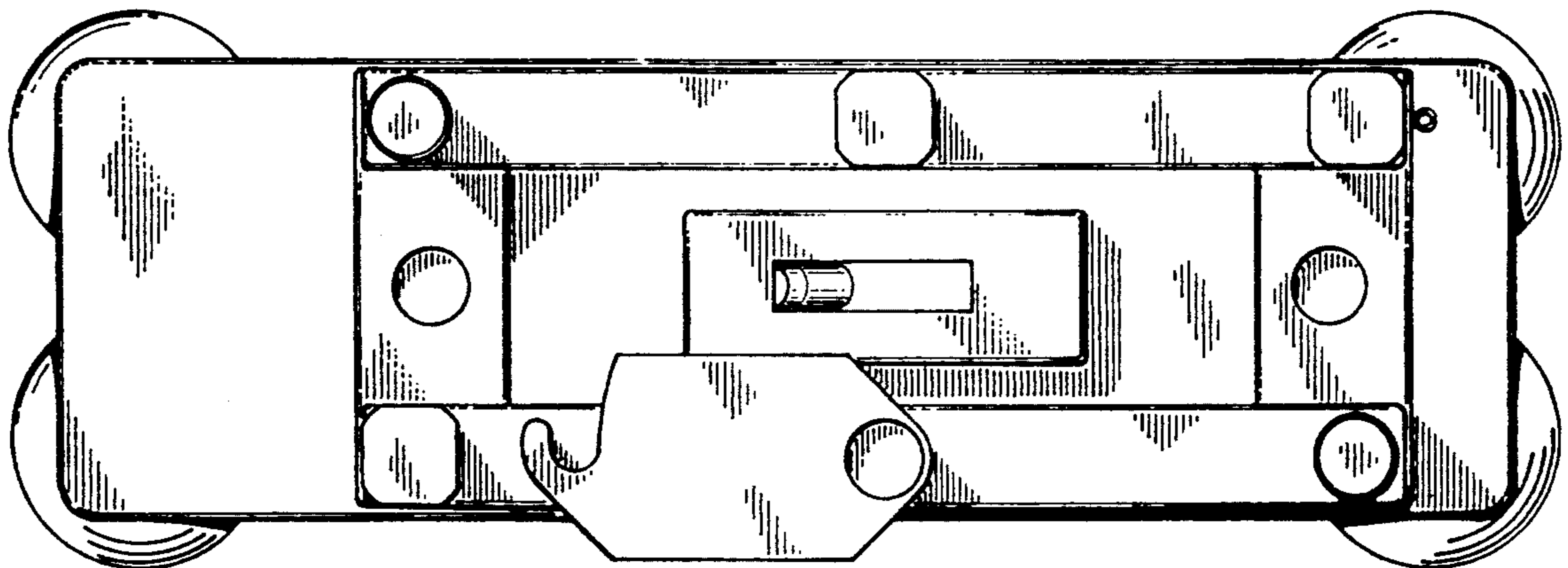


Fig 2

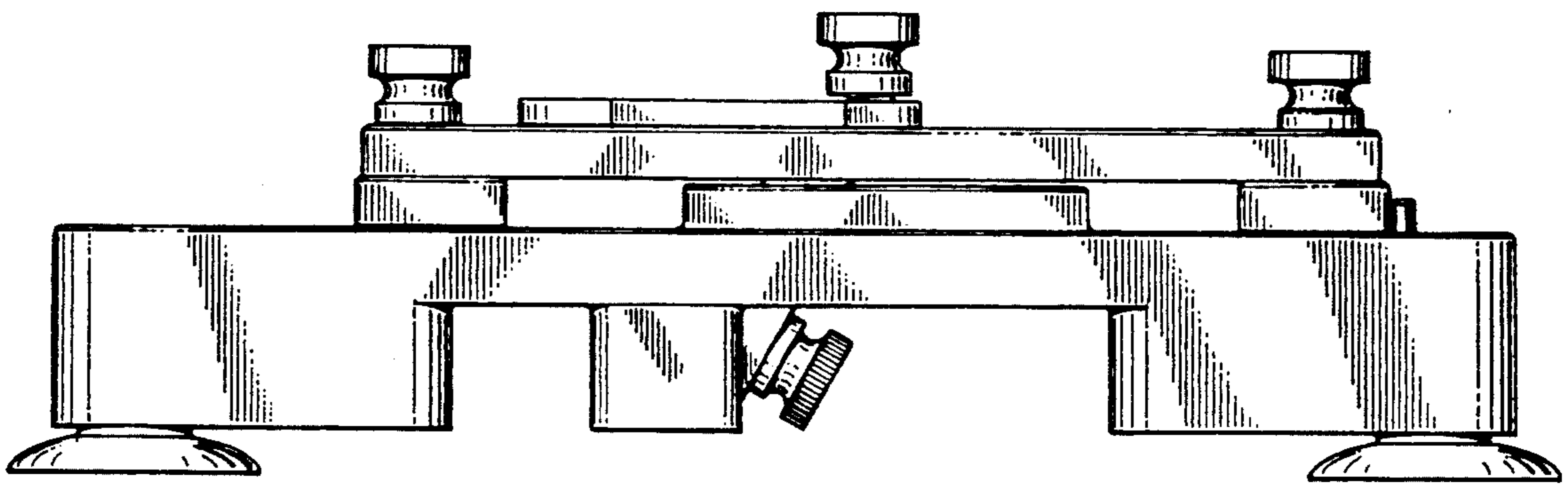


Fig 3

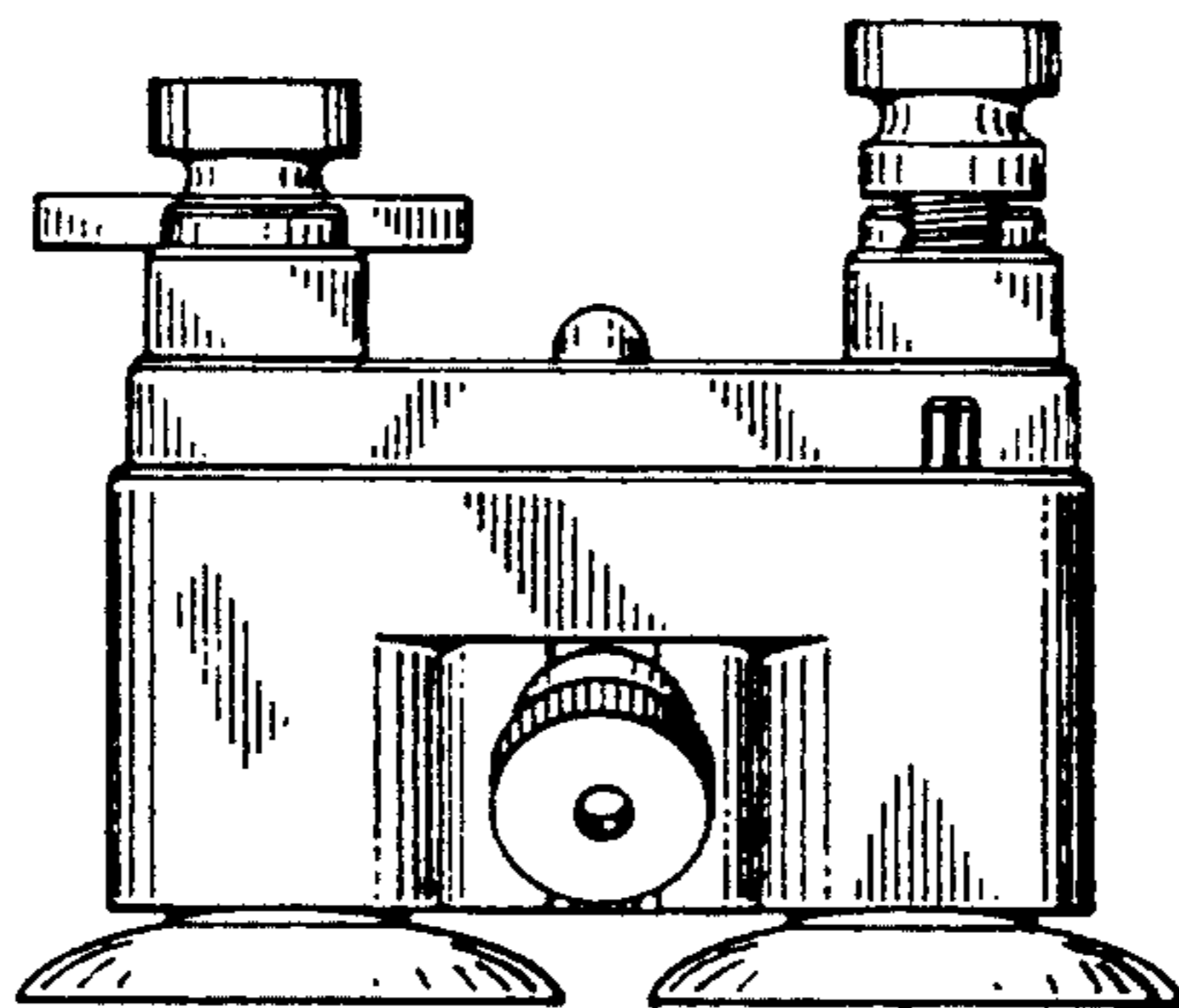


Fig 5

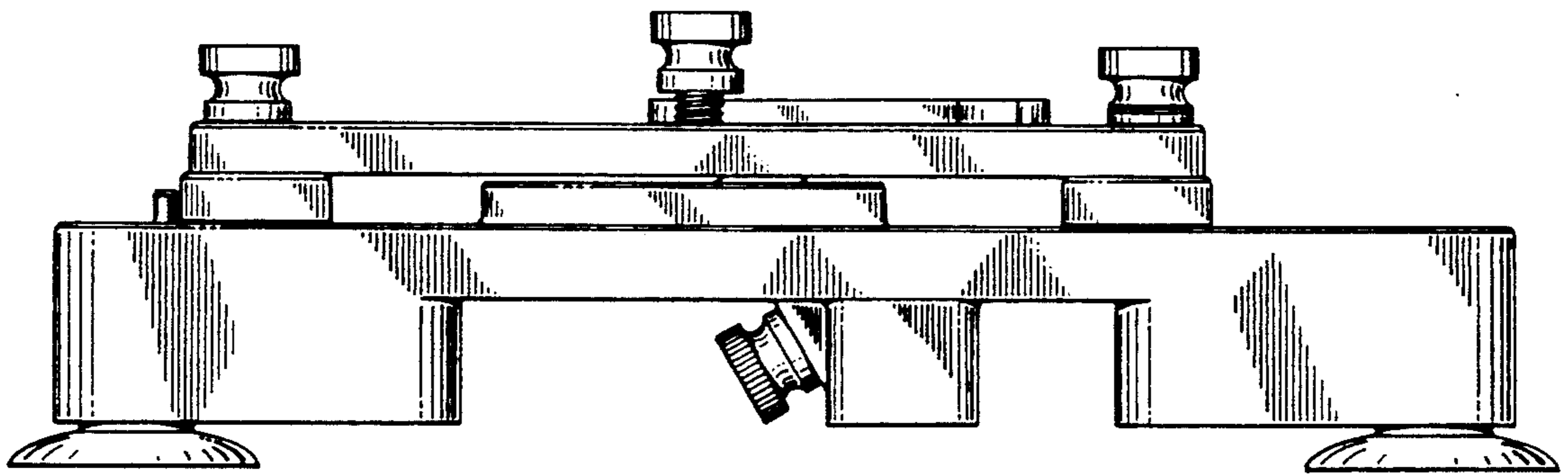


Fig 6

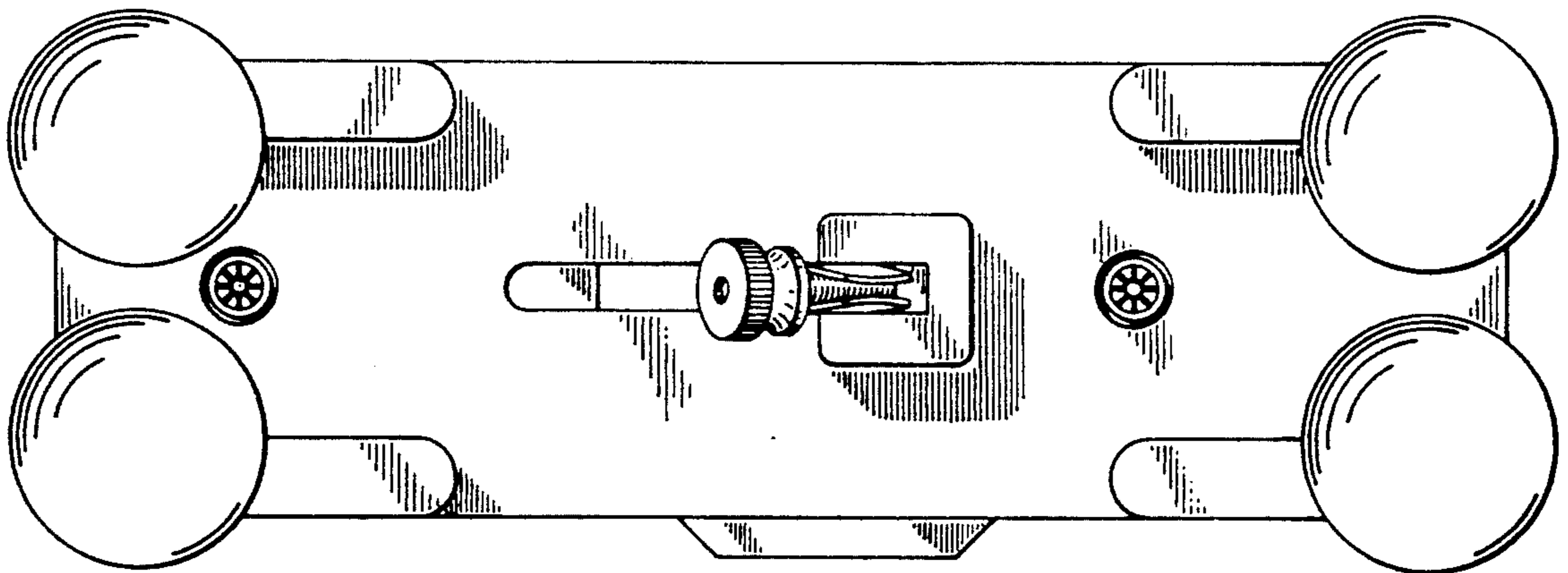


Fig 7