



US00D346539S

# United States Patent [19]

[11] Patent Number: **Des. 346,539**

Saito

[45] Date of Patent: **\*\* May 3, 1994**

[54] **HYDRAULIC PUNCHER**

3,924,330	12/1975	Mitsuhashi et al.	30/362
4,667,411	5/1987	McCallum	30/362 X
4,922,615	5/1990	Nishida	30/361 X
5,095,618	3/1992	Dacey, Jr.	30/362

[75] Inventor: **Masayuki Saito**, Tokyo, Japan

[73] Assignee: **Nitto Kohki Co., Ltd.**, Tokyo, Japan

[\*\*] Term: **14 Years**

*Primary Examiner*—Alan P. Douglas  
*Assistant Examiner*—Jeffry H. Musgrove  
*Attorney, Agent, or Firm*—Wenderoth, Lind & Ponack

[21] Appl. No.: **901**

[22] Filed: **Oct. 27, 1992**

[57] **CLAIM**

[30] **Foreign Application Priority Data**

The ornamental design for hydraulic puncher, as shown and described.

May 1, 1992 [JP] Japan ..... 4-12939

**DESCRIPTION**

[52] U.S. Cl. .... **D8/61; D15/128**

FIG. 1 is a front elevational view of a hydraulic puncher showing my new design; the rear elevational view being a mirror image;

[58] Field of Search ..... **D8/67, 61; 30/362-367, 30/361; D15/123, 128**

FIG. 2 is a top plan view;

FIG. 3 is a bottom plan view;

FIG. 4 is a right side elevational view; and,

FIG. 5 is a left side elevational view thereof.

[56] **References Cited**

**U.S. PATENT DOCUMENTS**

D. 336,093 6/1993 Saito et al. .... D15/128

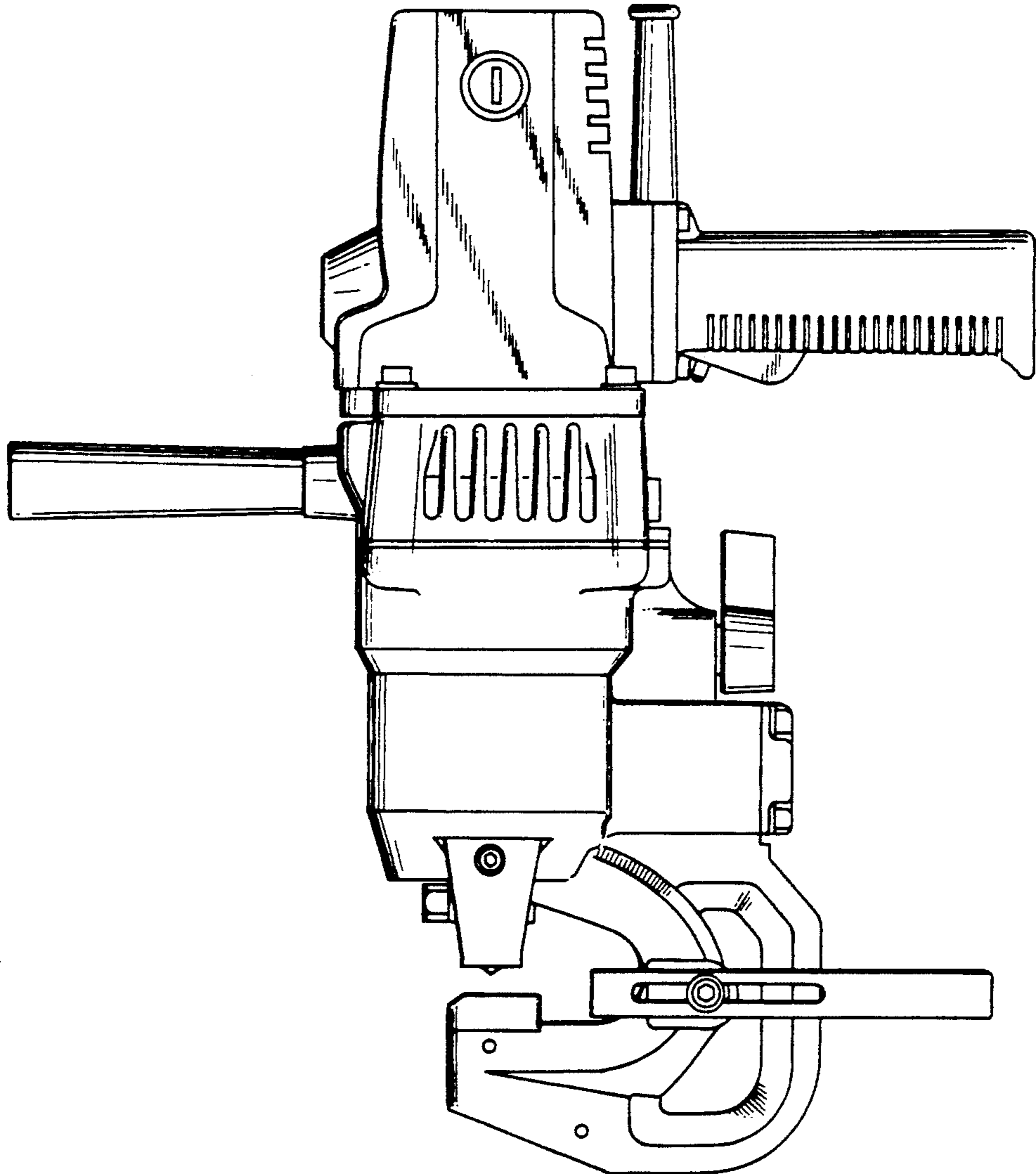


FIG. 1

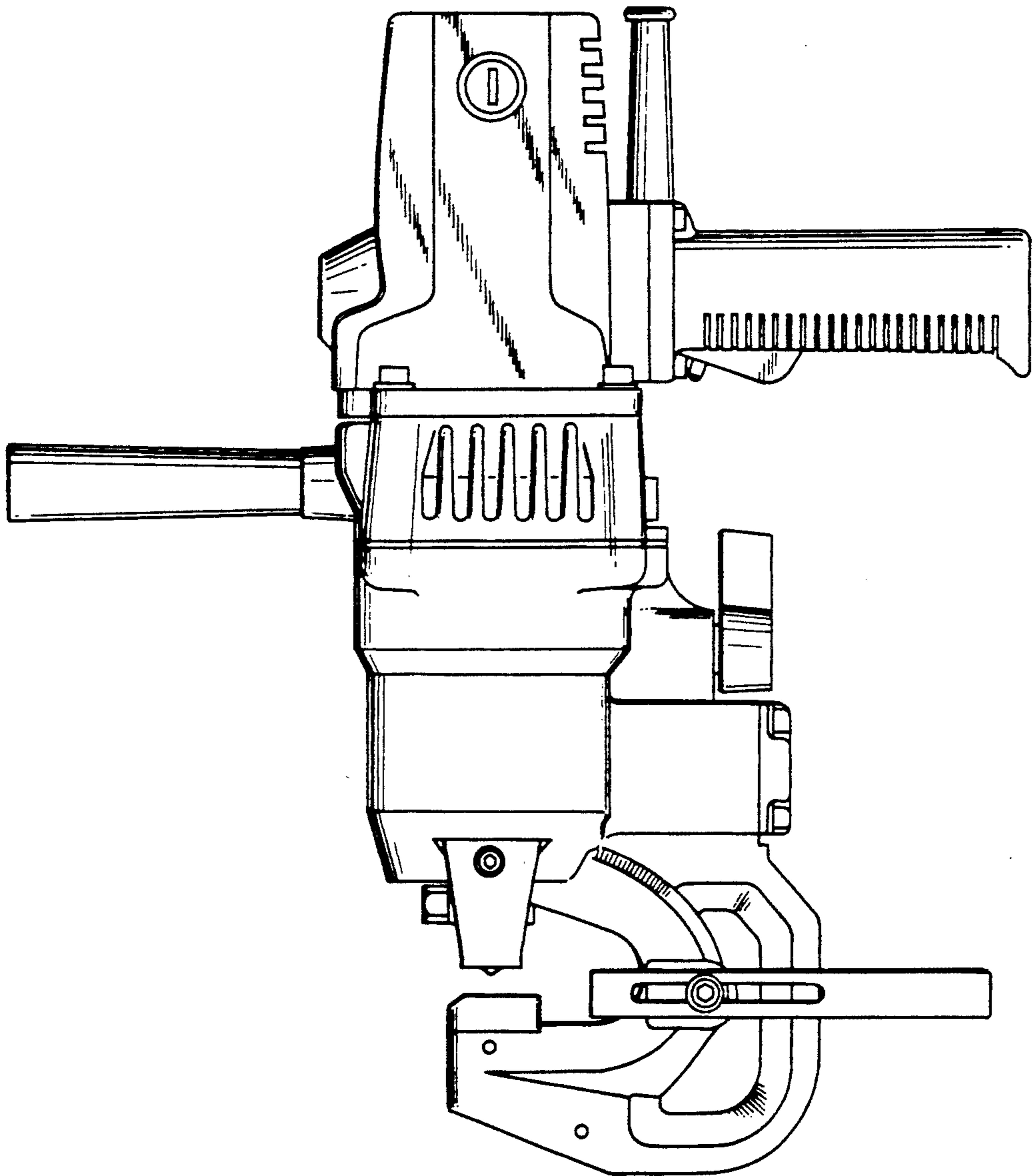


FIG. 2

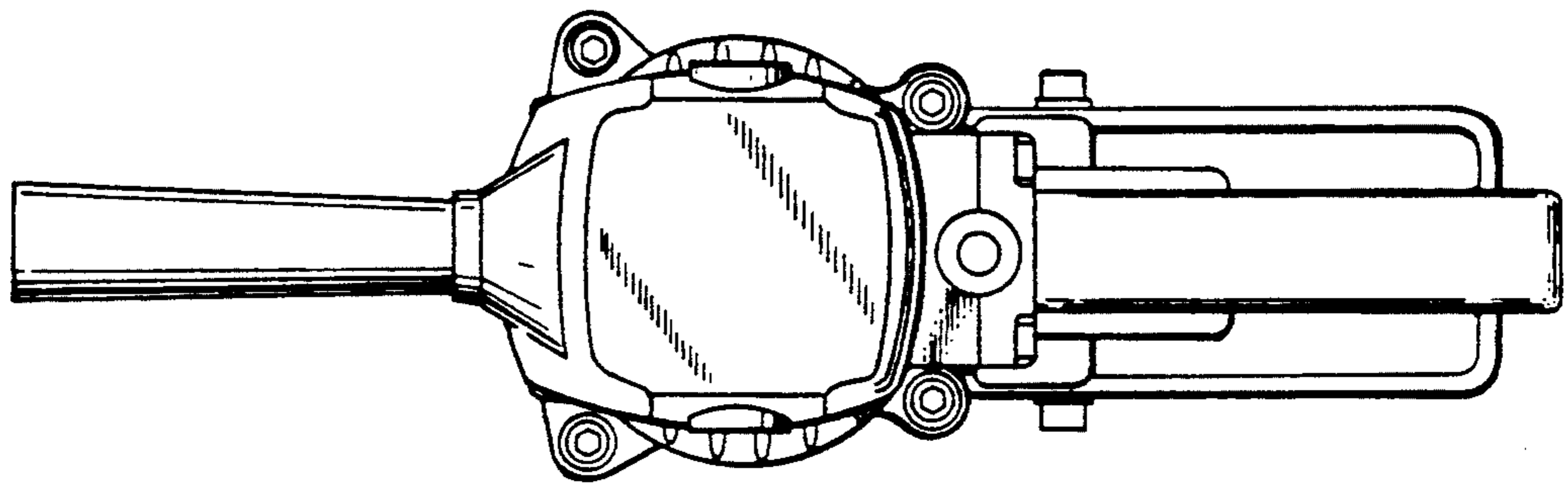


FIG. 3

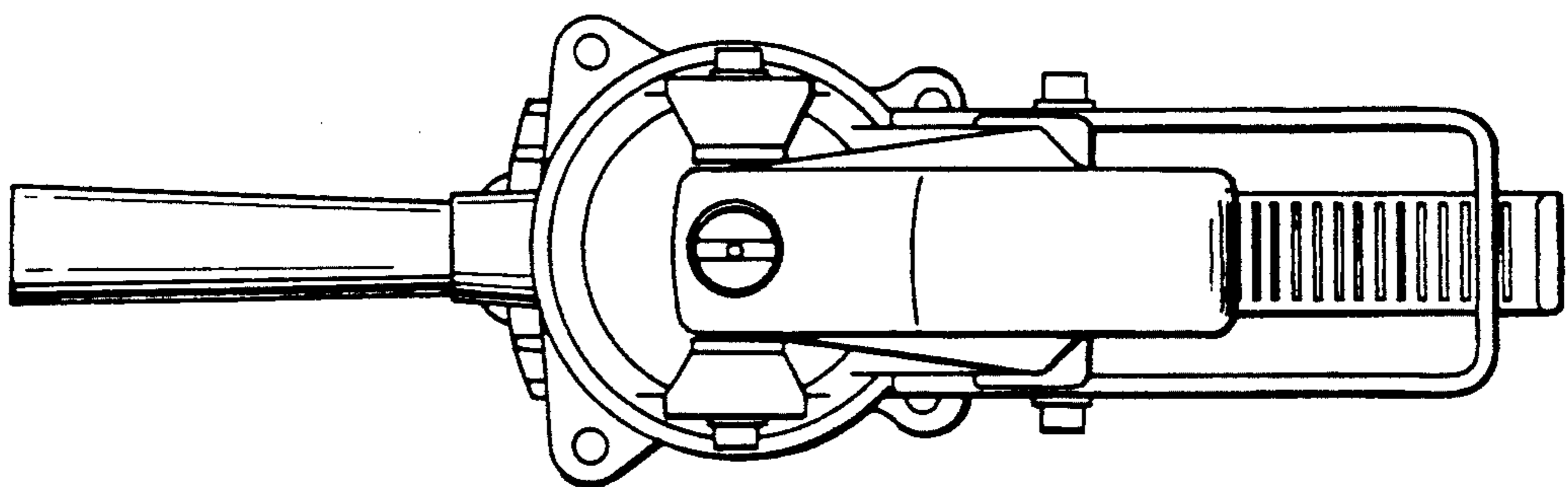


FIG. 4

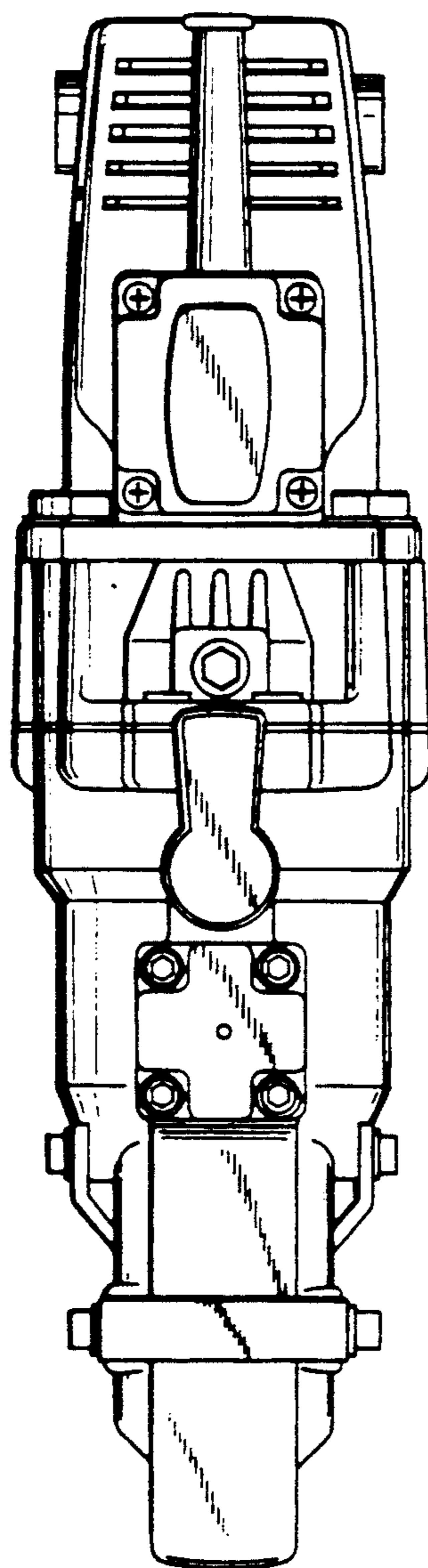


FIG. 5

