



US00D346532S

# United States Patent [19]

[11] Patent Number: **Des. 346,532**

Ogden et al.

[45] Date of Patent: **\*\* May 3, 1994**

[54] **BOTTLE CARRIER**

[76] Inventors: **Brian C. Ogden**, 41132 Ridgeway La., Quartz Hill, Calif. 93551;  
**Timothy J. Wilkins**, 226 N. Locust Ave., Agoura Hills, Calif. 91301

[\*\*] Term: **14 Years**

[21] Appl. No.: **937,203**

[22] Filed: **Aug. 31, 1992**

[52] U.S. Cl. .... **D7/619**

[58] Field of Search ..... **D3/30.1, 42, 100, 106; D7/619-623; 215/100 A; 294/31.2**

[56] **References Cited**

**U.S. PATENT DOCUMENTS**

D. 217,828 6/1970 Hilliard ..... D7/622

D. 270,684 9/1983 Menna ..... D3/42  
D. 303,335 9/1989 Seifried ..... D7/620  
4,045,070 8/1977 Geisinger ..... 215/100 A X  
4,357,042 11/1982 Gall ..... 215/100 A

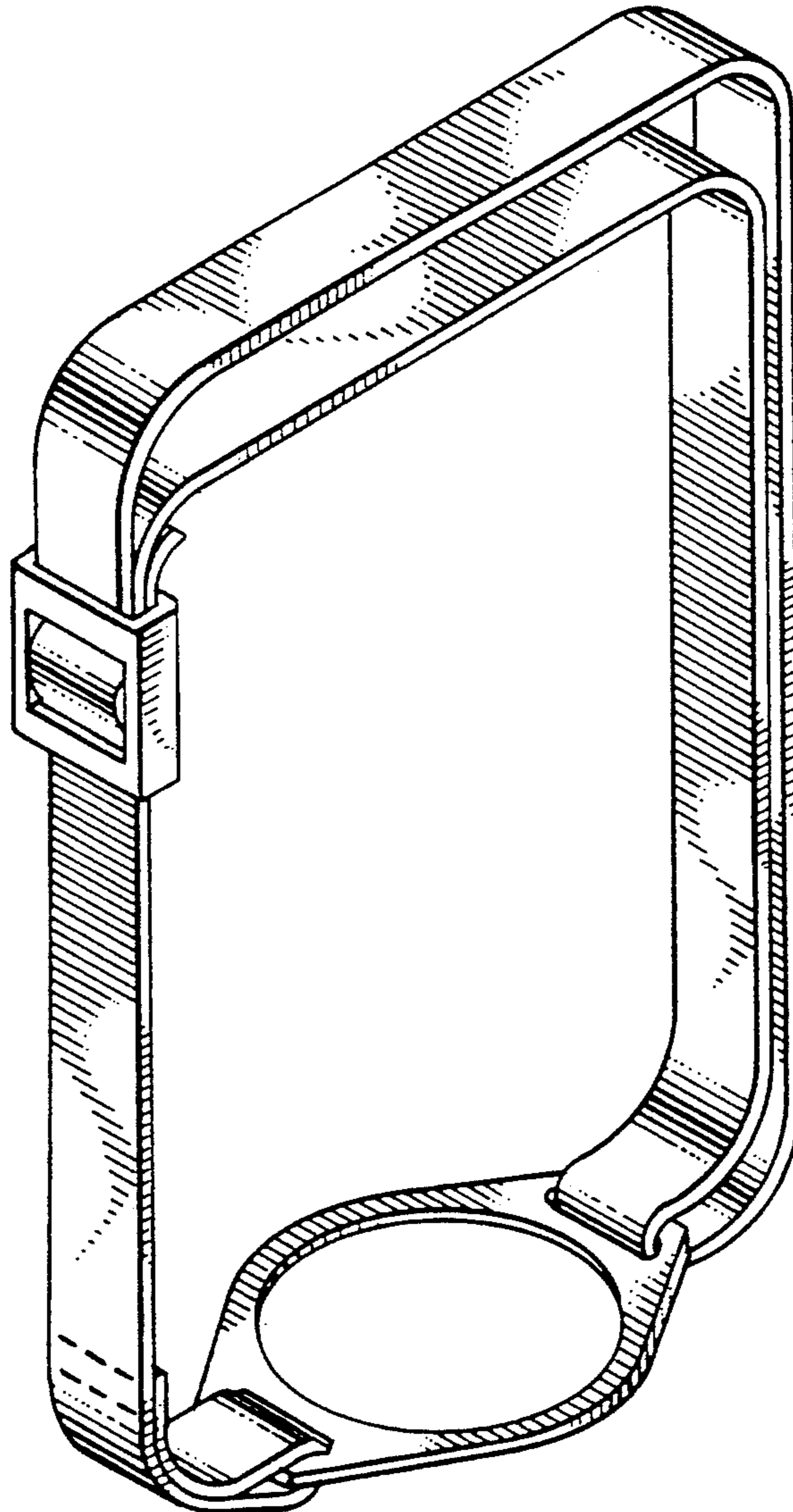
*Primary Examiner*—Terry A. Wallace  
*Attorney, Agent, or Firm*—James E. Brunton

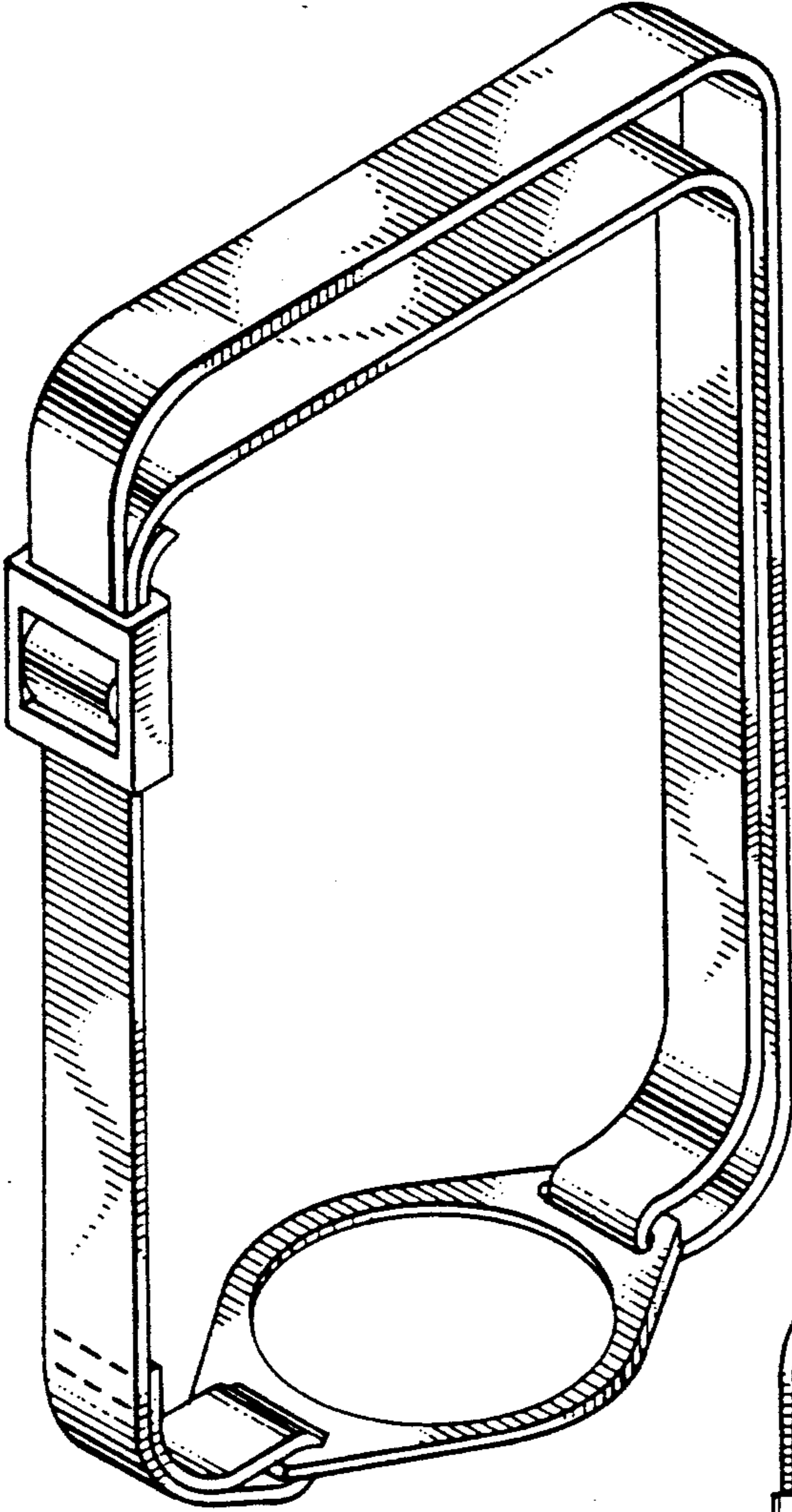
[57] **CLAIM**

The ornamental design for bottle carrier, as shown.

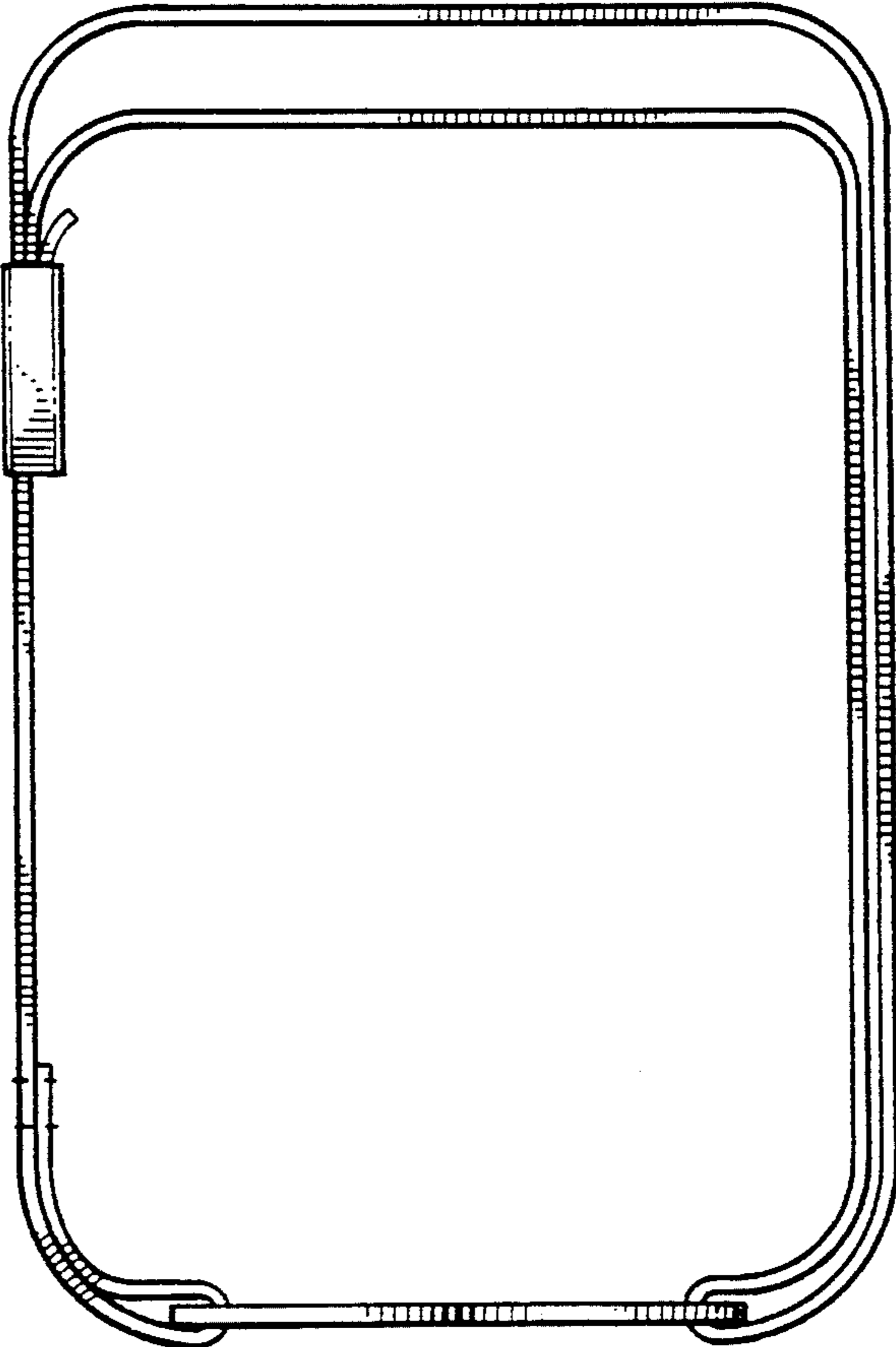
**DESCRIPTION**

FIG. 1 is a perspective view of the bottle carrier showing our new design;  
FIG. 2 is a front view thereof;  
FIG. 3 is a left side elevational view thereof;  
FIG. 4 is a right side elevational view thereof;  
FIG. 5 is a top view thereof; and,  
FIG. 6 is a bottom view thereof.





*FIG. 1*



*FIG. 2*

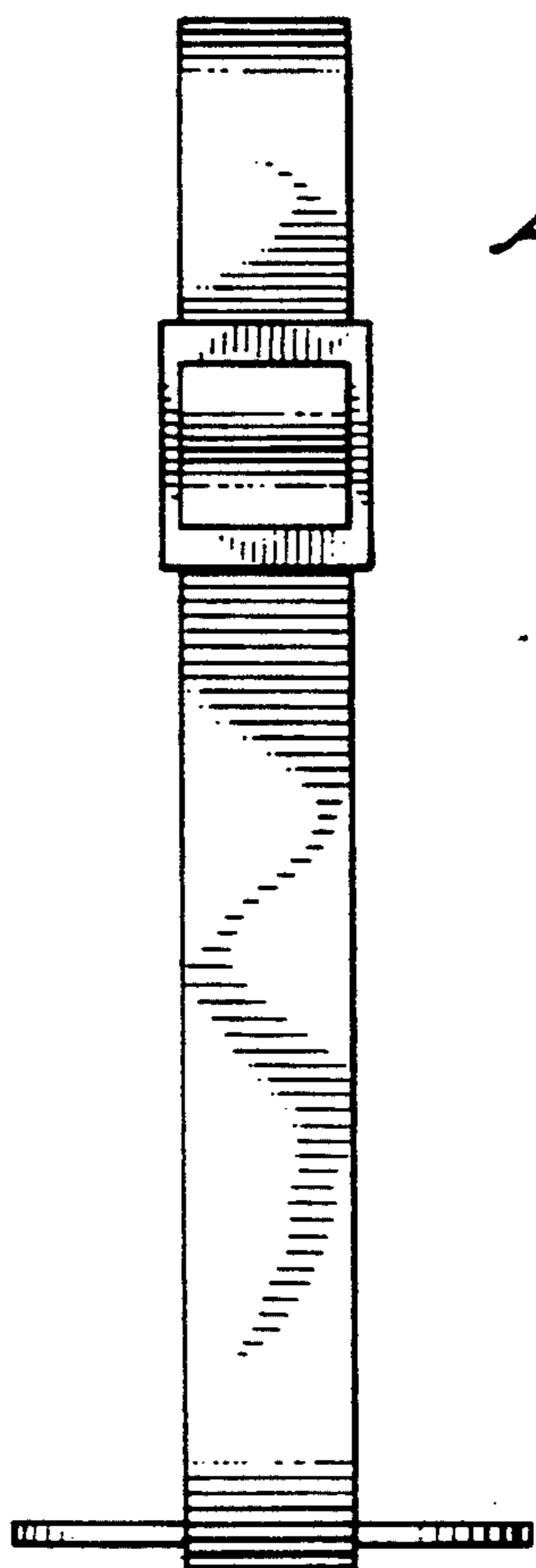


FIG. 3

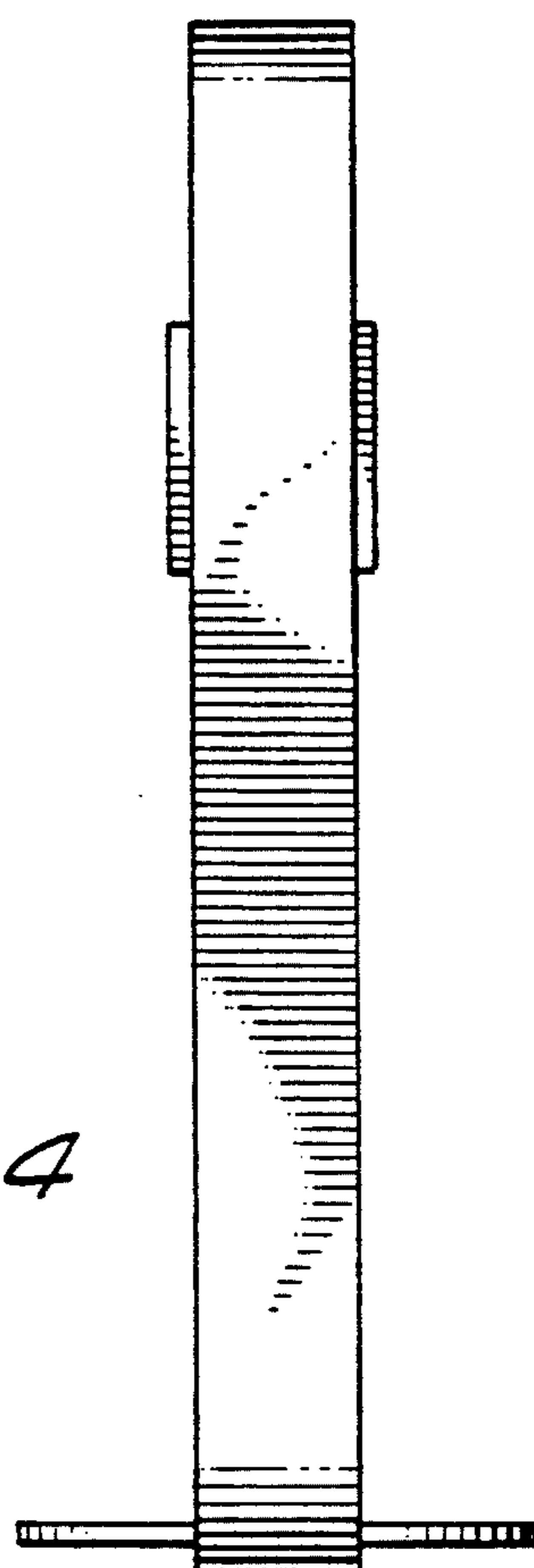


FIG. 4

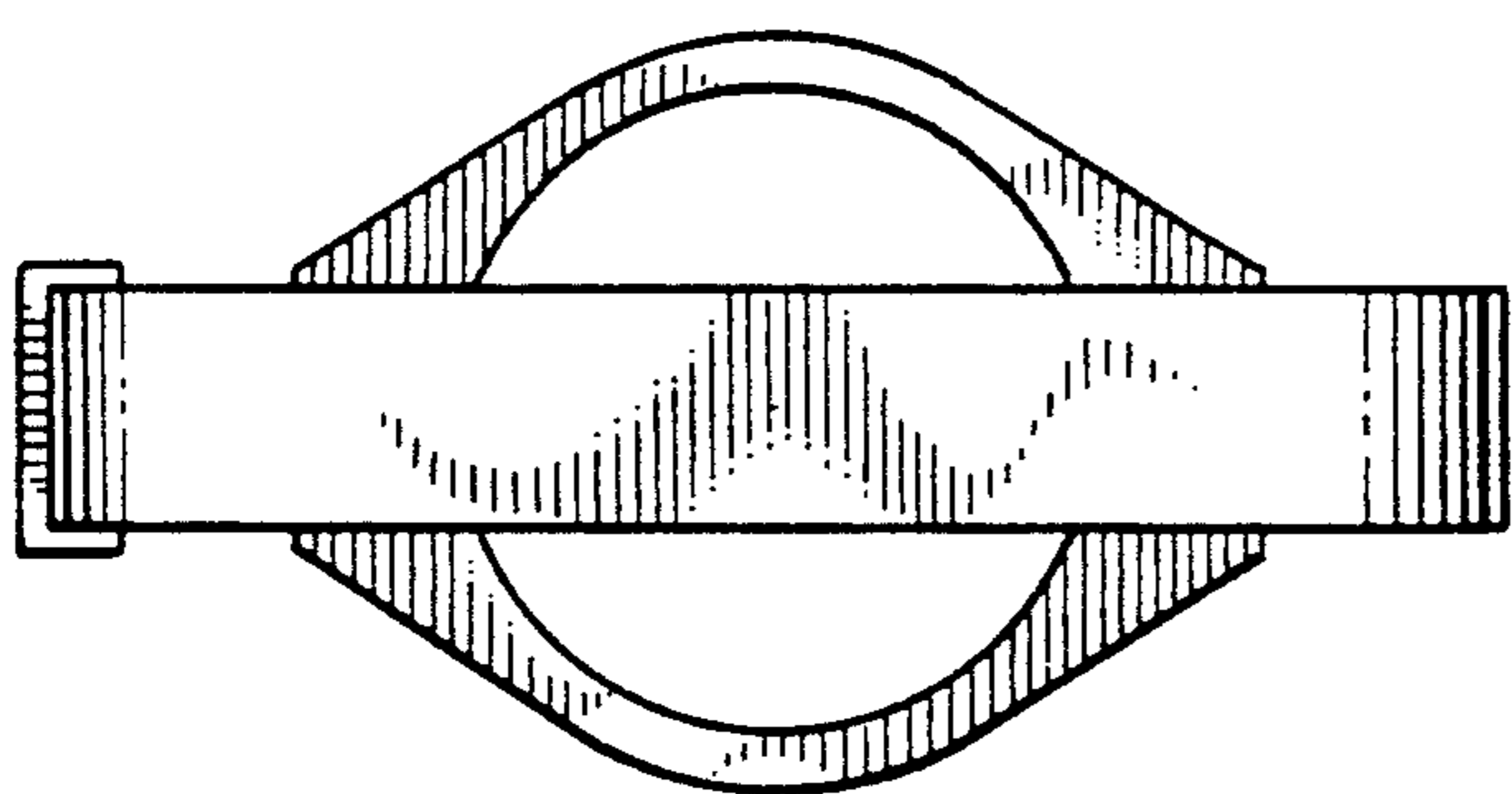


FIG. 5

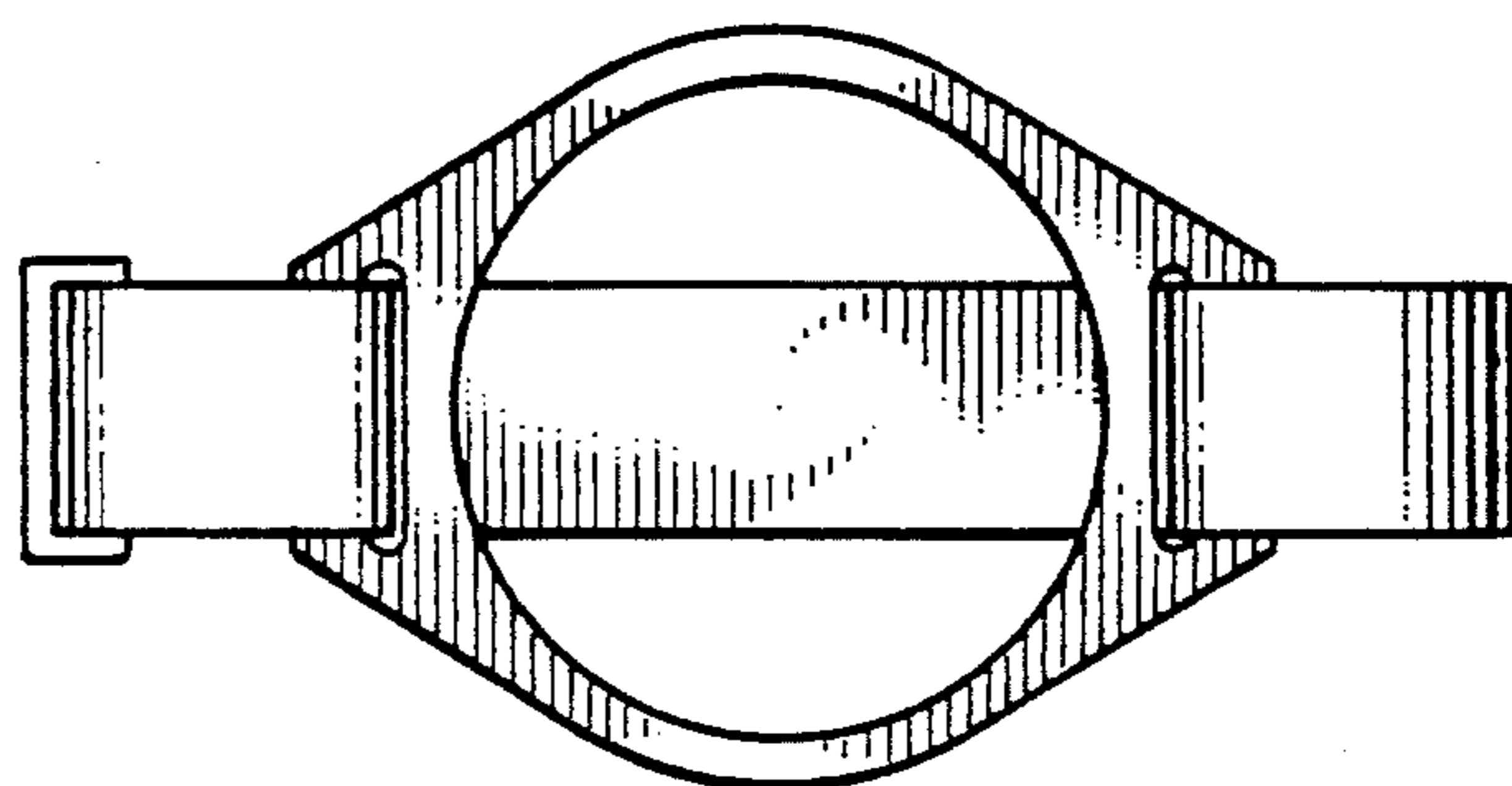


FIG. 6