



US00D346530S

United States Patent [19]

Elliott et al.

[11] Patent Number: **Des. 346,530**

[45] Date of Patent: **** May 3, 1994**

[54] **GAS FIRED CHARCOAL LIGHTER**

4,891,005 1/1990 Carter 126/25 B
5,094,223 3/1992 Gonzalez 126/25 B

[76] Inventors: **Robert W. Elliott**, 2100 Kent Dr.,
Bakersfield, Calif. 93306; **John M. Lopez**, 412 Bridle Ave., Bakersfield,
Calif. 93307

Primary Examiner—Ruth McInroy
Attorney, Agent, or Firm—S. Michael Bender

[**] Term: **14 Years**

[57] **CLAIM**

The ornamental design for a gas fired charcoal lighter,
as shown and described.

[21] Appl. No.: **832,777**

[22] Filed: **Feb. 10, 1992**

DESCRIPTION

[52] U.S. Cl. **D7/416; D7/407;**
D7/402

FIG. 1 is a front elevational view of a gas fired charcoal lighter showing my new design;
FIG. 2 is a rear elevational view thereof;
FIG. 3 is a left side elevational view thereof;
FIG. 4 is a right side elevational view thereof;
FIG. 5 is a top plan view thereof;
FIG. 6 is a bottom plan view thereof;
FIG. 7 is a bottom plan view thereof, the gas grill shown in broken lines is for illustrative purposes only and forms no part of the claimed design;
FIG. 8 is an enlarged detail of the portion circled in FIG. 6; and,
FIG. 9 is a top, front and right perspective view thereof.

[58] Field of Search D7/402, 407-409,
D7/416-417; 126/25 R, 25 A, 25 AA, 25 B, 36;
99/340

[56] **References Cited**

U.S. PATENT DOCUMENTS

3,605,653	9/1971	Donnell	126/25 B
4,321,907	3/1982	Sutter	126/25 B
4,522,585	6/1985	Martin	126/25 B
4,706,643	11/1987	Tyson	126/25 B
4,779,608	10/1988	Smith	126/25 B

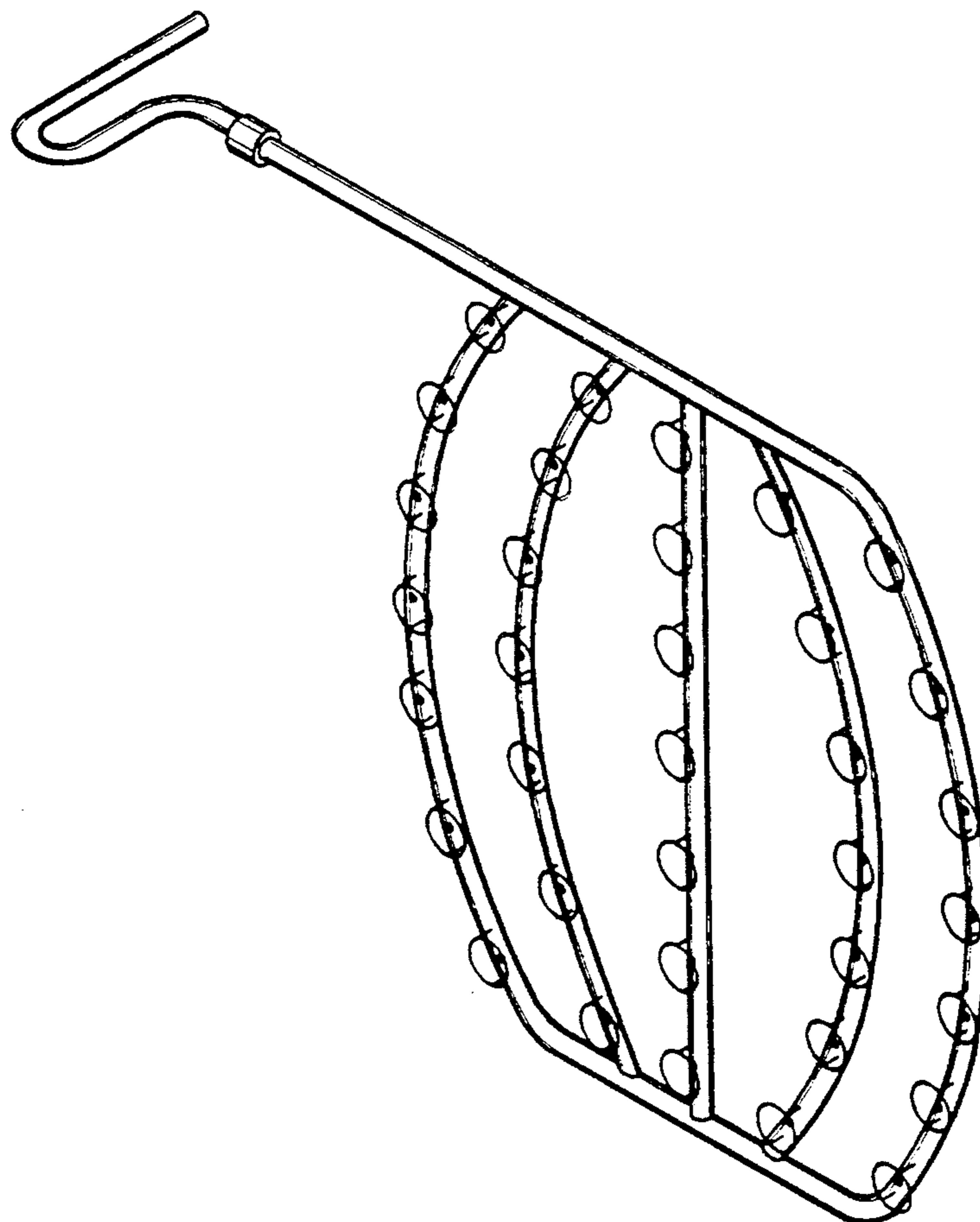


FIG. 1

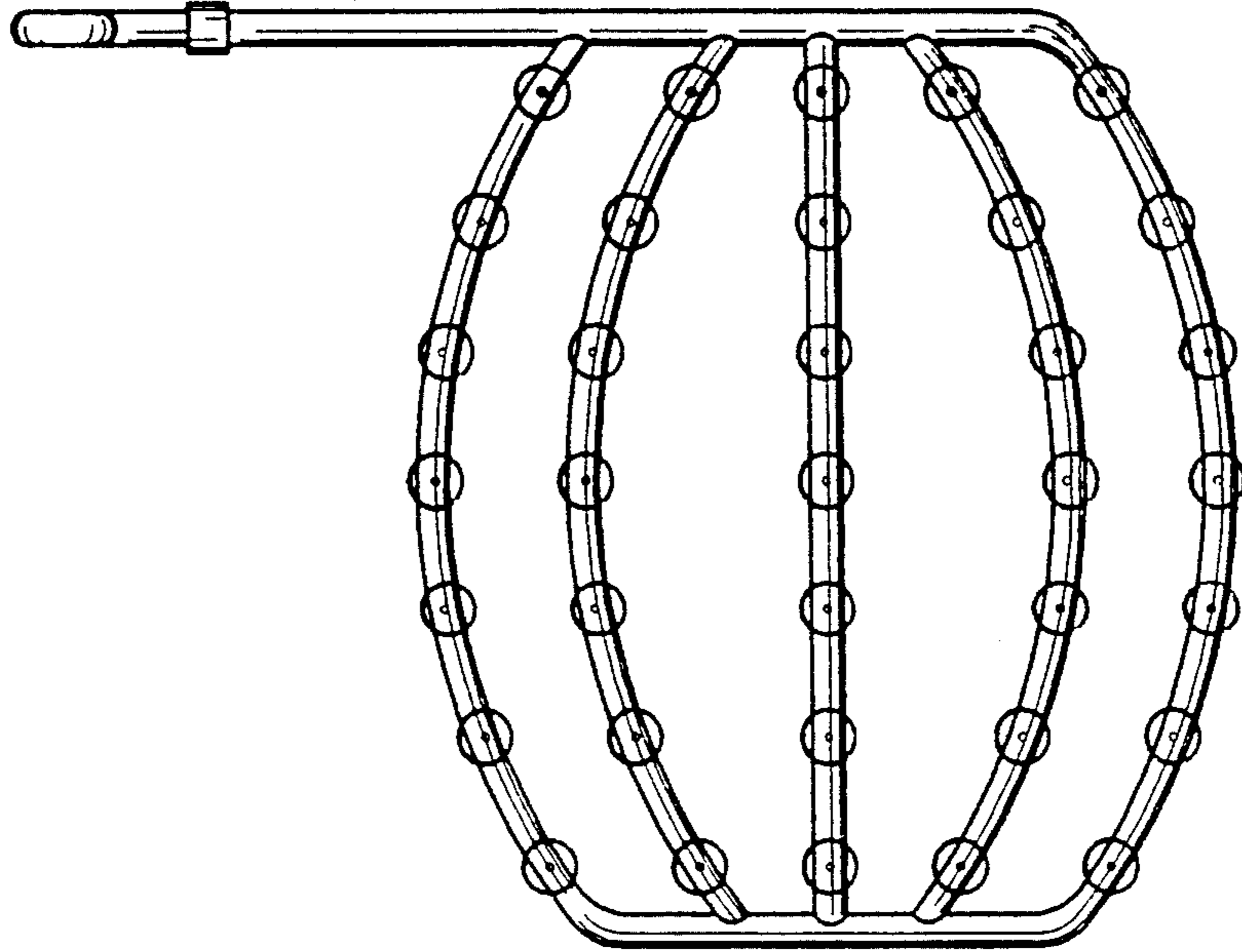


FIG. 2

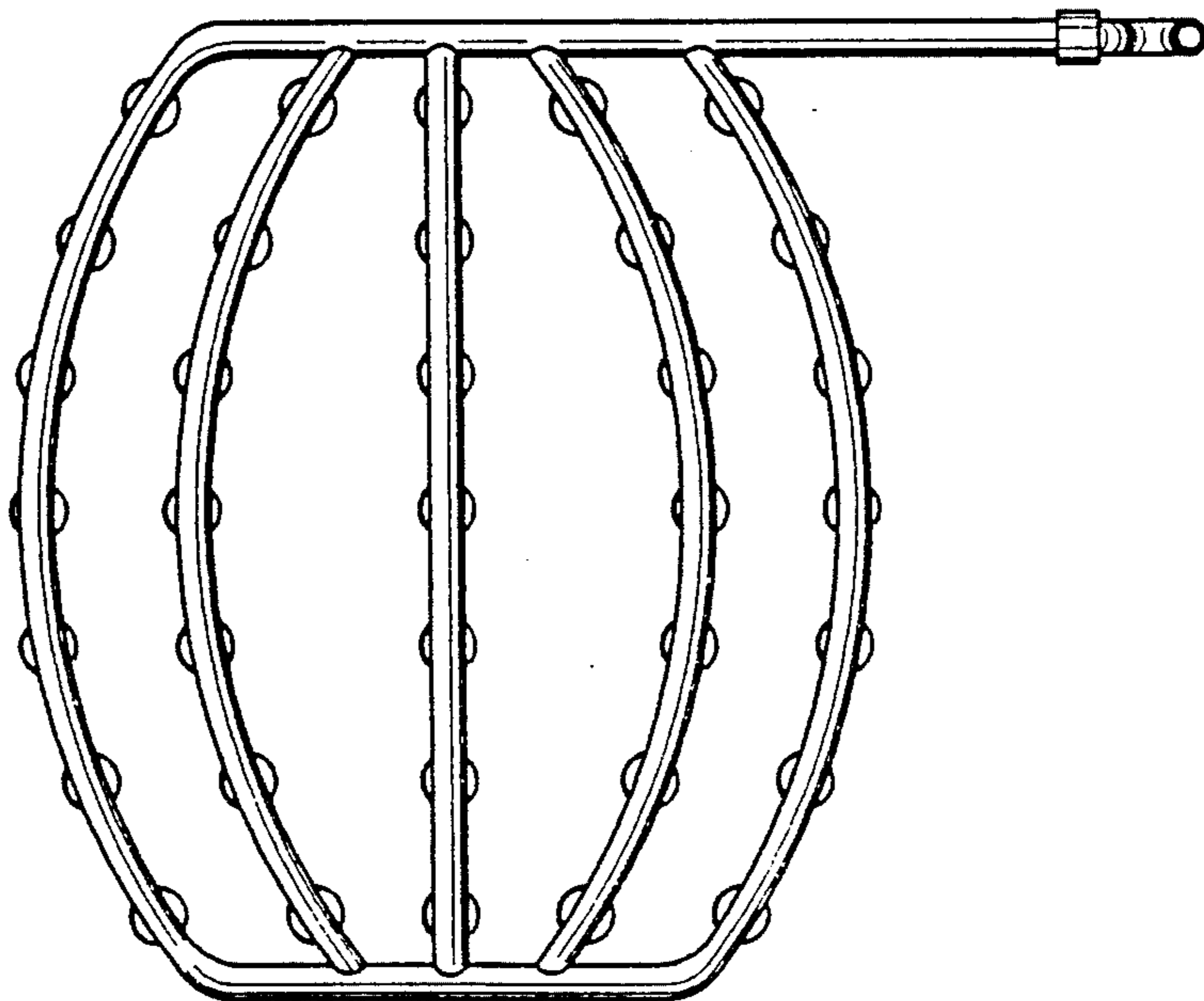


FIG. 3

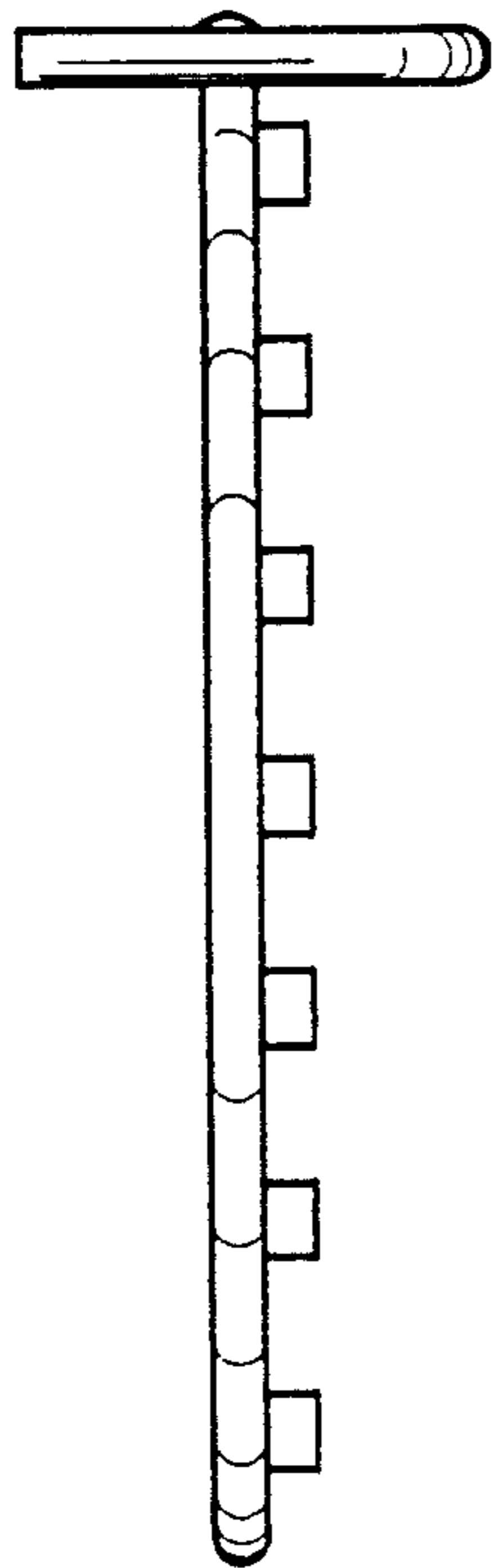


FIG. 4

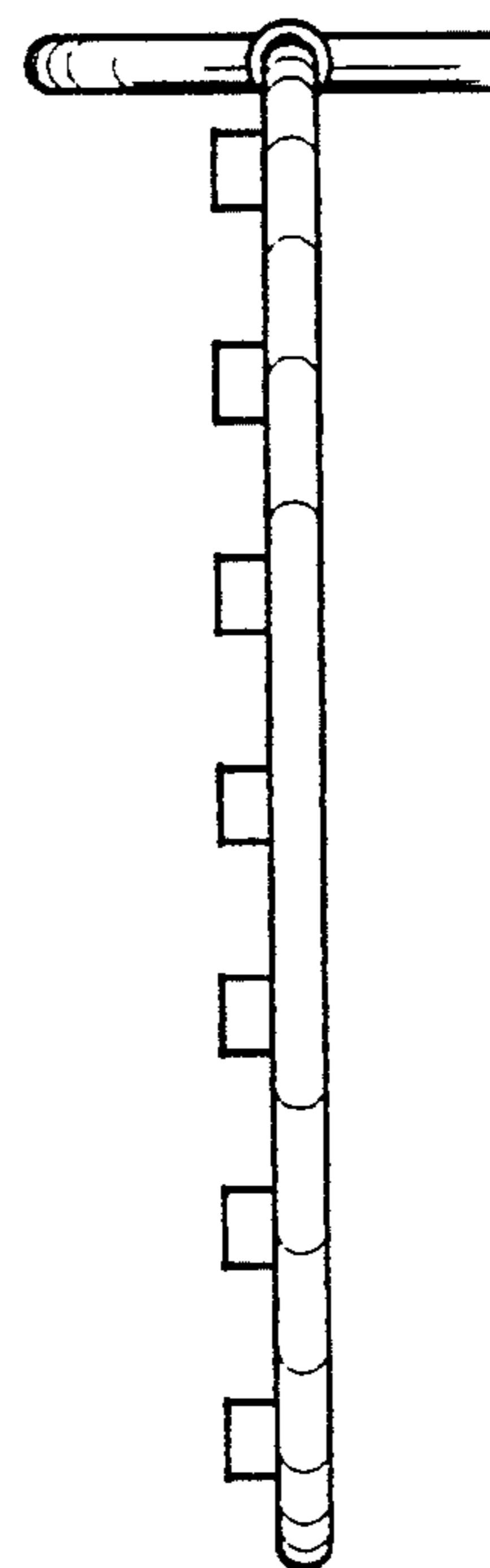


FIG. 5

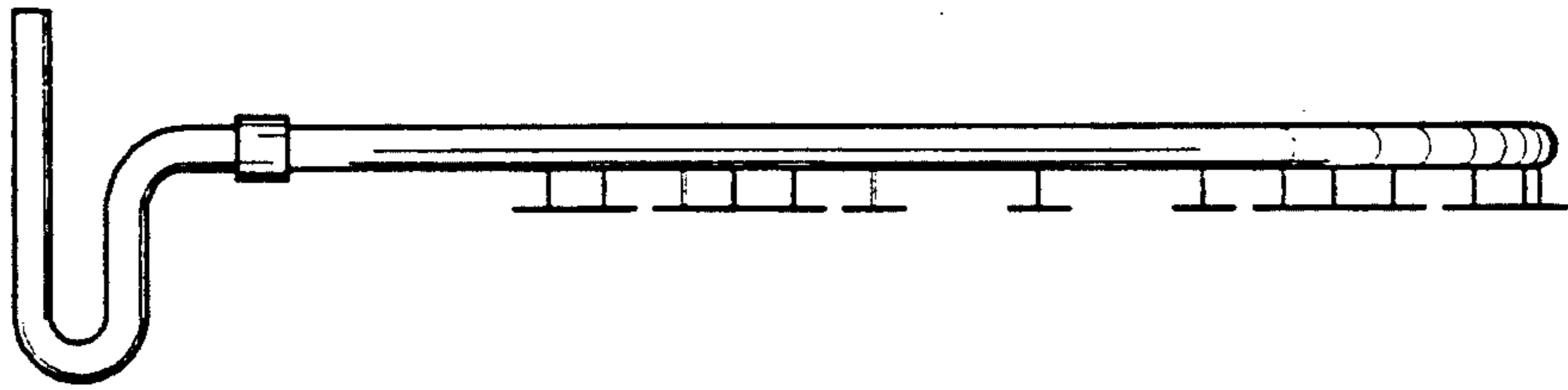


FIG. 6

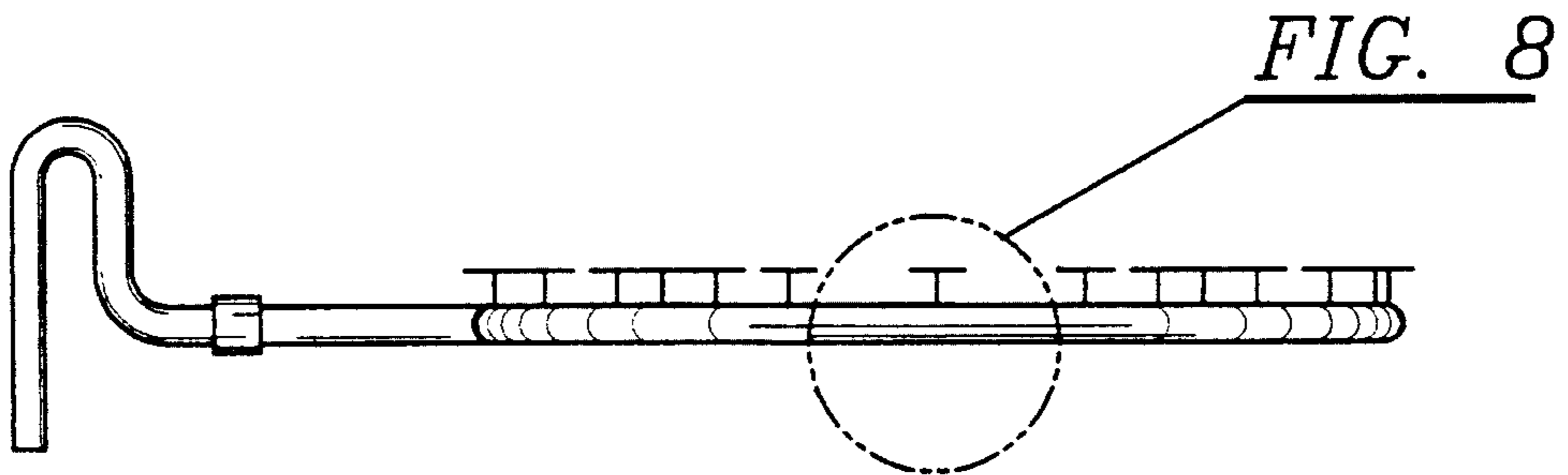


FIG. 8

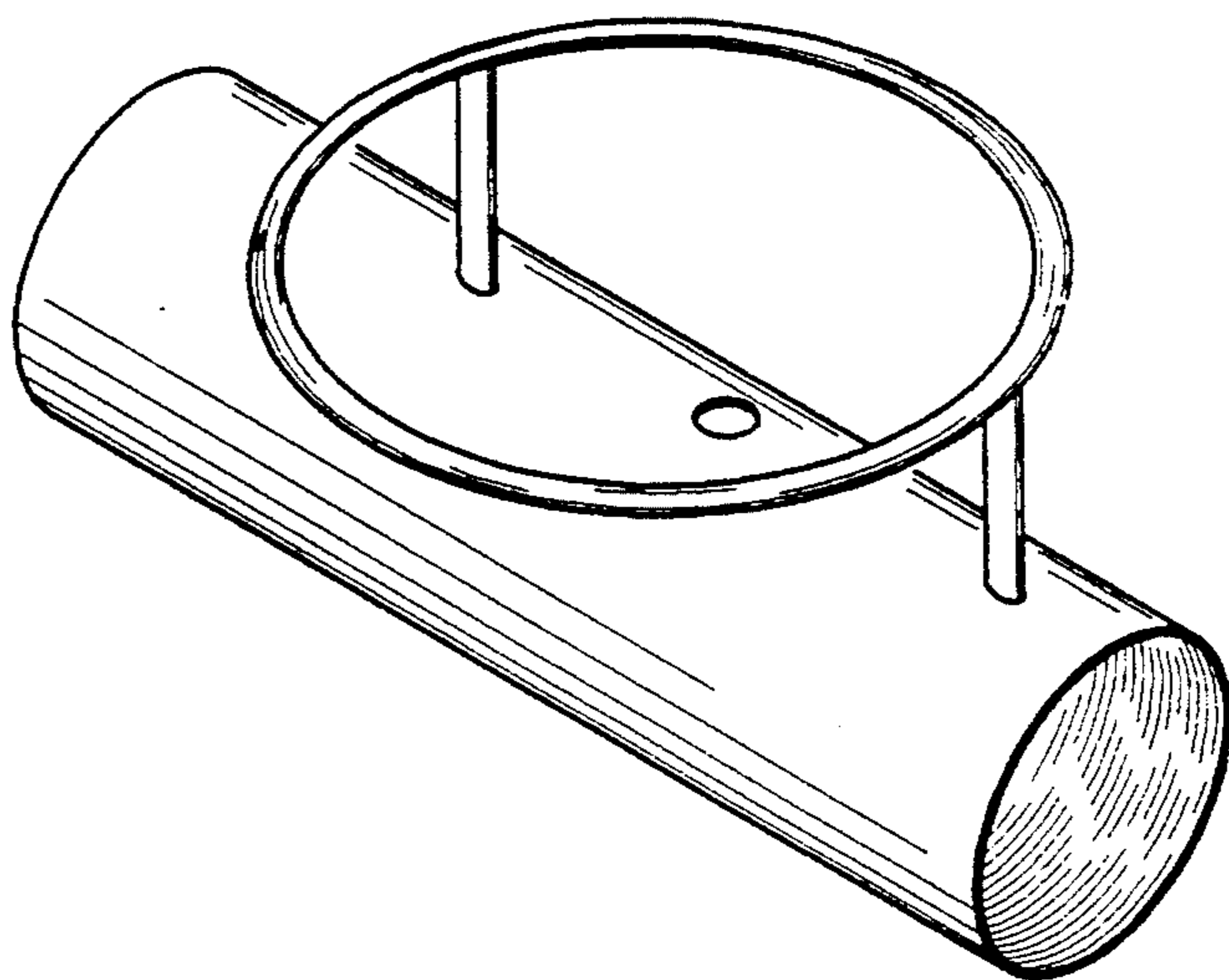


FIG. 7

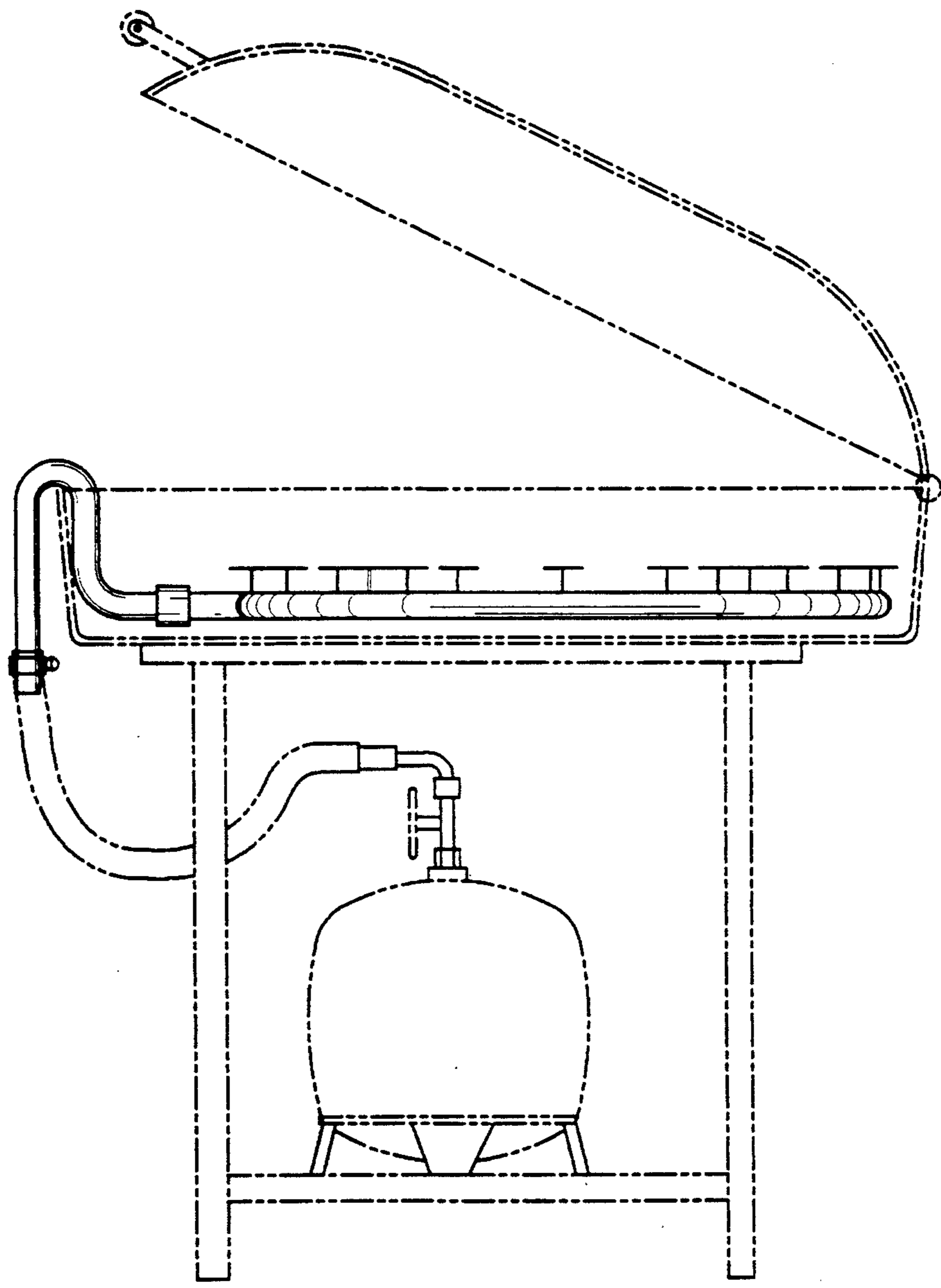


FIG. 9

