



US00D346529S

United States Patent [19]

Honaker

[11] Patent Number: **Des. 346,529**

[45] Date of Patent: **** May 3, 1994**

[54] **STOVE PANEL GUARD**

[76] Inventor: **Maglena Honaker**, 10190 Robious Rd., Richmond, Va. 23235

[**] Term: **14 Years**

[21] Appl. No.: **668,449**

[22] Filed: **Mar. 12, 1991**

[52] U.S. Cl. **D7/405; D7/402**

[58] Field of Search **D7/339-340, D7/346-347, 332, 338, 402, 403, 407-409; 126/39 R, 39 E, 39 H, 211, 214 C, 299 D, 300; 99/422, 444-446, 450, 460; 219/443, 458**

[56] **References Cited**

U.S. PATENT DOCUMENTS

D. 284,345	6/1986	Baughman	D7/402
D. 303,909	10/1989	Stankus et al.	D7/406
D. 305,291	1/1990	Klev	D7/402
3,513,826	5/1970	Hellmuth	126/211
3,789,823	2/1974	Doskocil	126/42
4,155,343	5/1979	Hartman	126/211

4,157,705	6/1979	Caan	126/211
4,625,708	12/1986	Beall	126/42
4,836,181	6/1989	Saga	126/42
4,922,888	5/1990	Bryan et al.	126/42

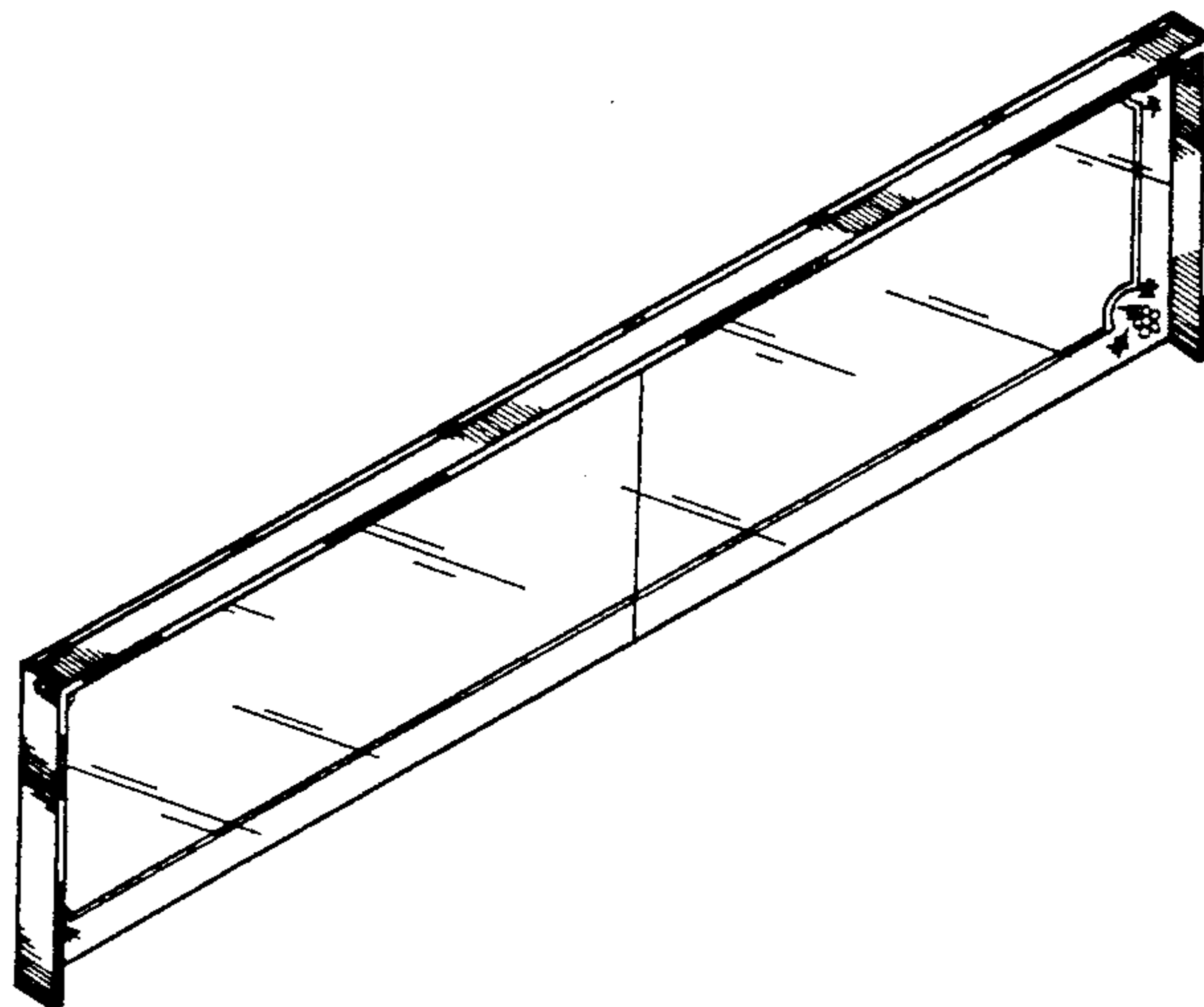
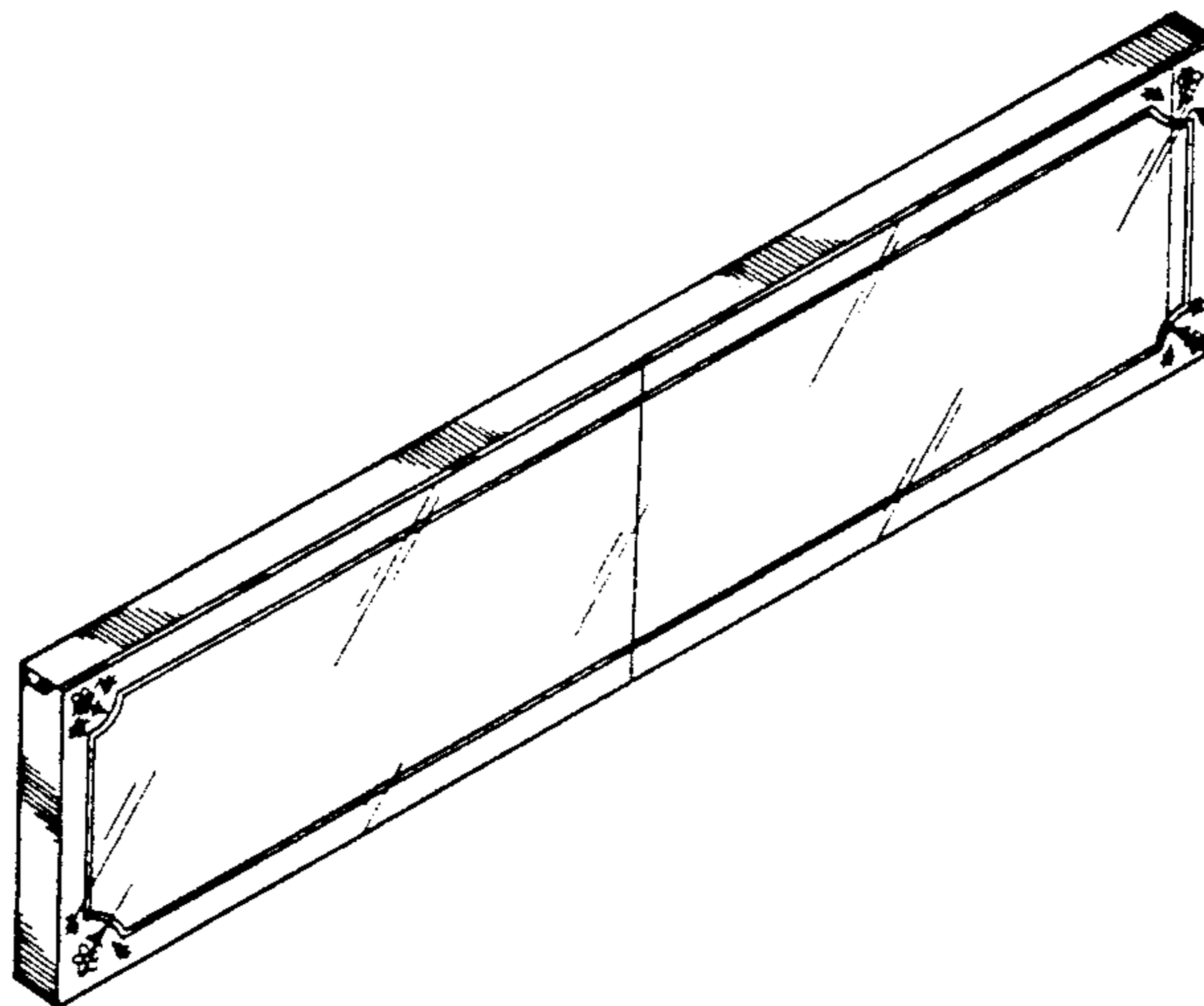
Primary Examiner—Ruth McInroy
Attorney, Agent, or Firm—Terry M. Gernstein

[57] CLAIM

The ornamental design for a stove panel guard, as shown and described.

DESCRIPTION

FIG. 1 is a front perspective view of a stove panel guard showing my new design;
 FIG. 2 is a front elevational view thereof;
 FIG. 3 is an end elevational view thereof, the opposite end being a mirror image;
 FIG. 4 is a top plan view thereof, the bottom view being a mirror image;
 FIG. 5 is a rear perspective view thereof; and,
 FIG. 6 is a reduced perspective view thereof, the stove shown in broken lines is for illustrative purpose only and forms no part of the claimed design.



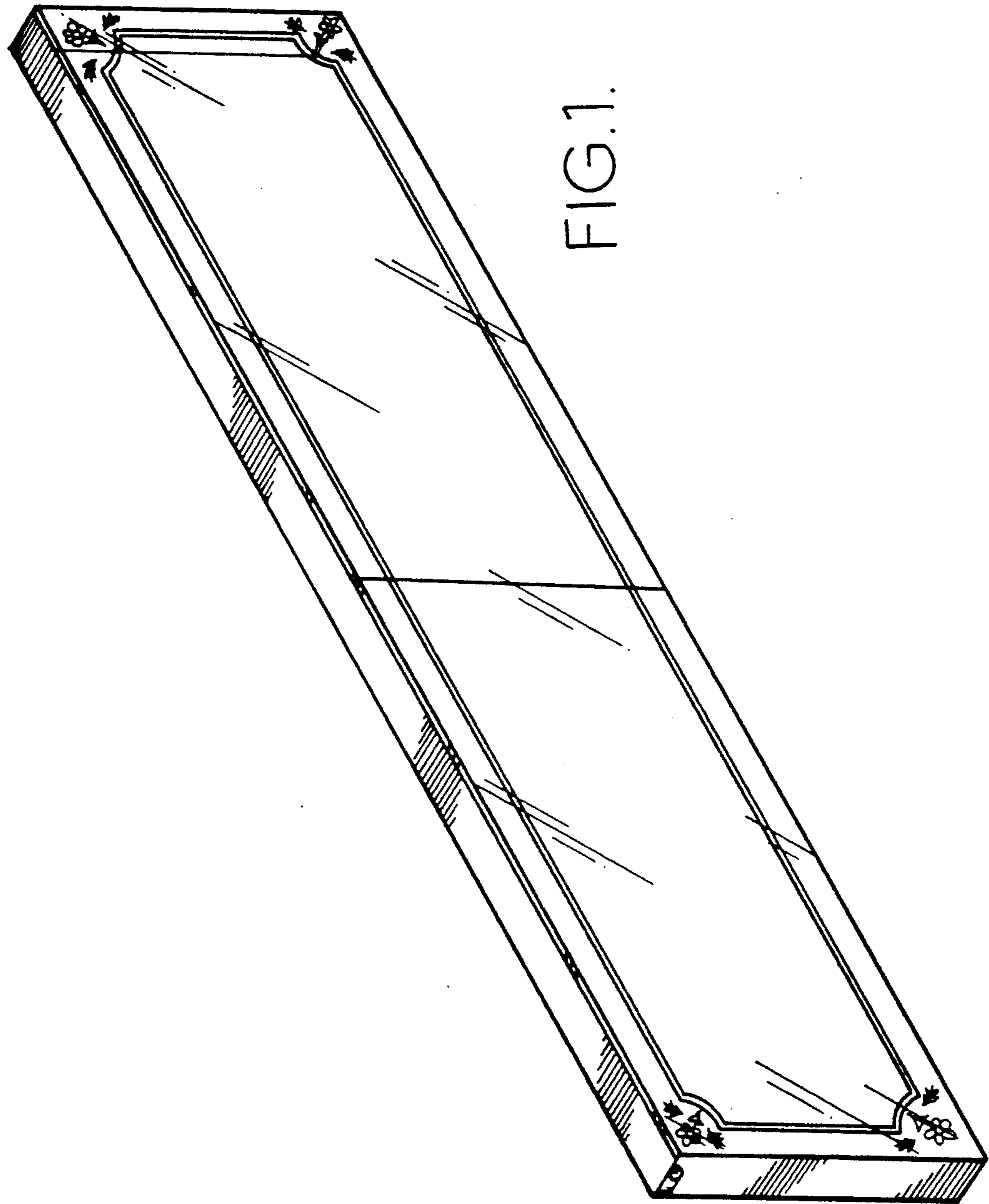


FIG.1.

FIG. 2.

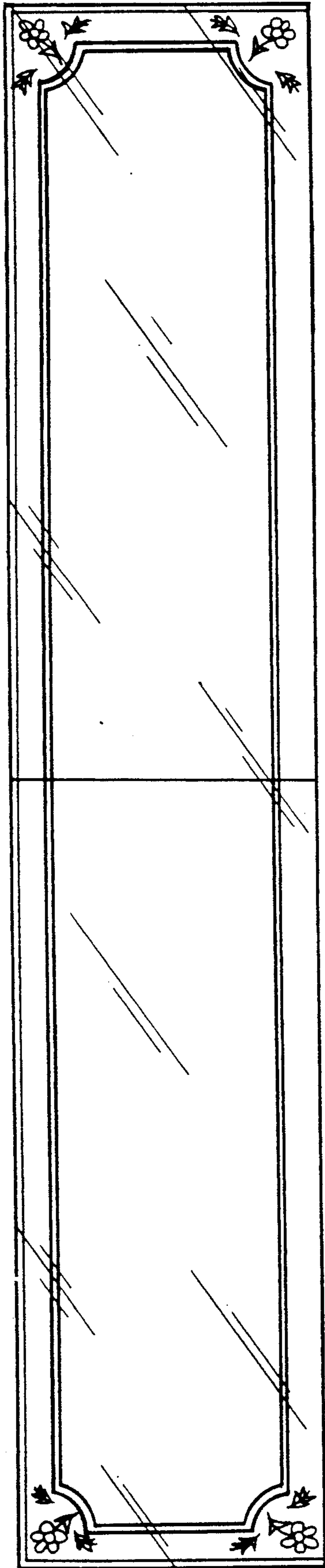


FIG. 4.



FIG. 3.



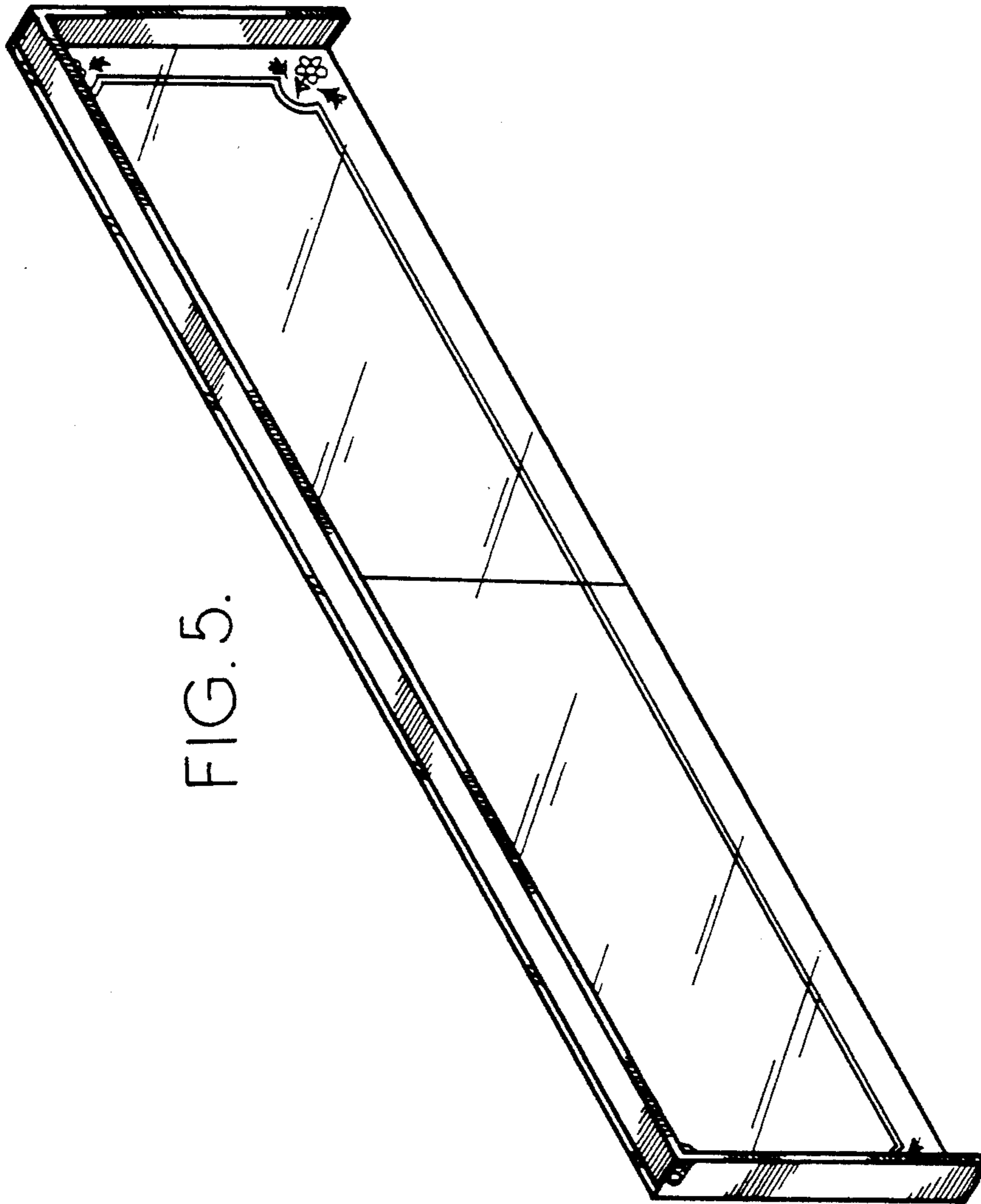


FIG. 5.

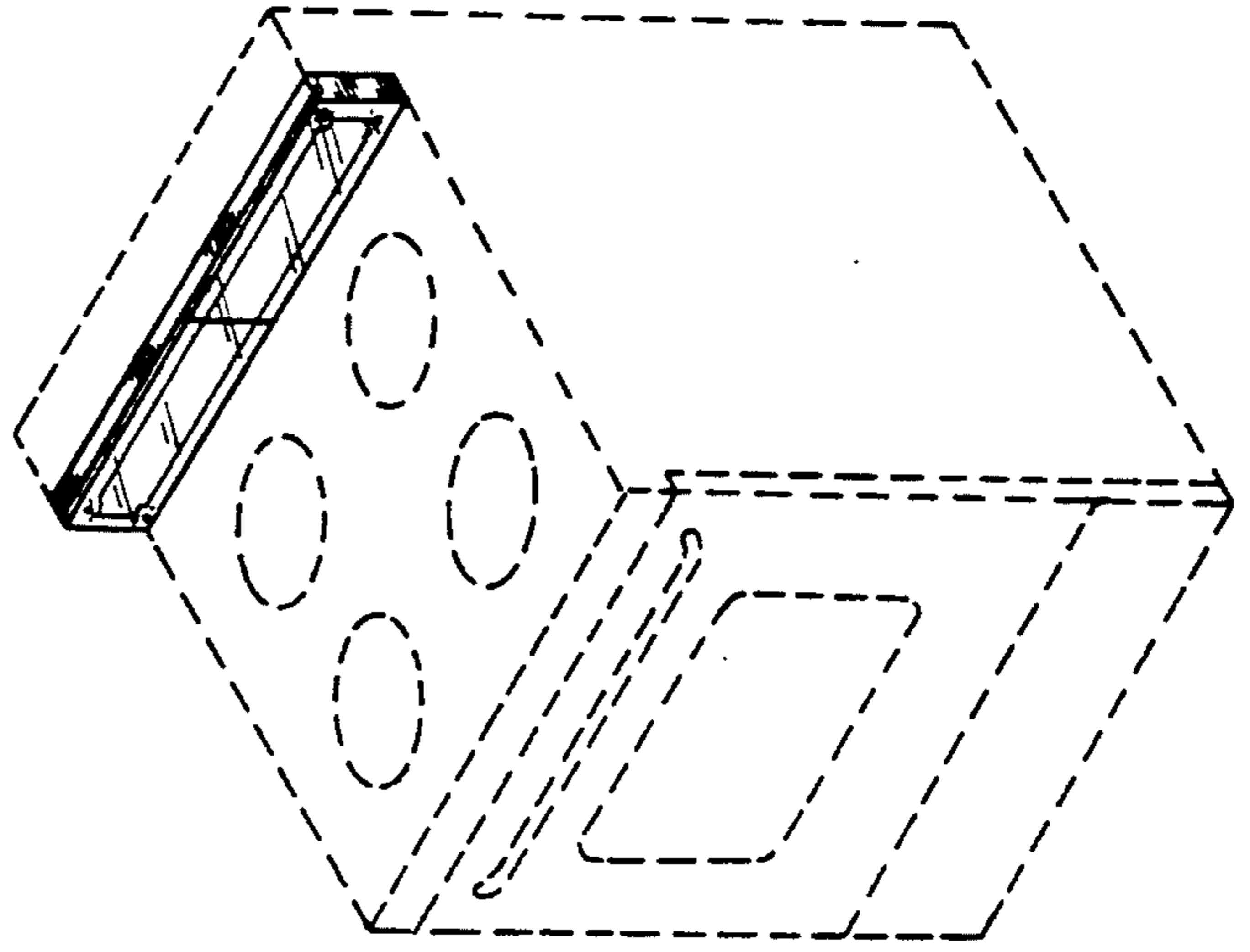


FIG. 6.