



US00D346522S

United States Patent [19]

[11] Patent Number: **Des. 346,522**

Engel

[45] Date of Patent: **** May 3, 1994**

[54] **WALL DISPLAY UNIT FOR WATCHBANDS**

D. 321,452	11/1991	Davis	D6/571
2,515,293	7/1950	Carter	211/89
4,228,743	10/1980	Crouk	108/31

[75] Inventor: **Harvey J. Engel, Boca Raton, Fla.**

[73] Assignee: **Textron Inc., Providence, R.I.**

Primary Examiner—Brian N. Vinson
Attorney, Agent, or Firm—Samuels, Gauthier & Stevens

[**] Term: **14 Years**

[57] **CLAIM**

[21] Appl. No.: **2,879**

The ornamental design for a wall display unit for watchbands, as shown and described.

[22] Filed: **Dec. 22, 1992**

DESCRIPTION

[52] U.S. Cl. **D6/571; D6/567**

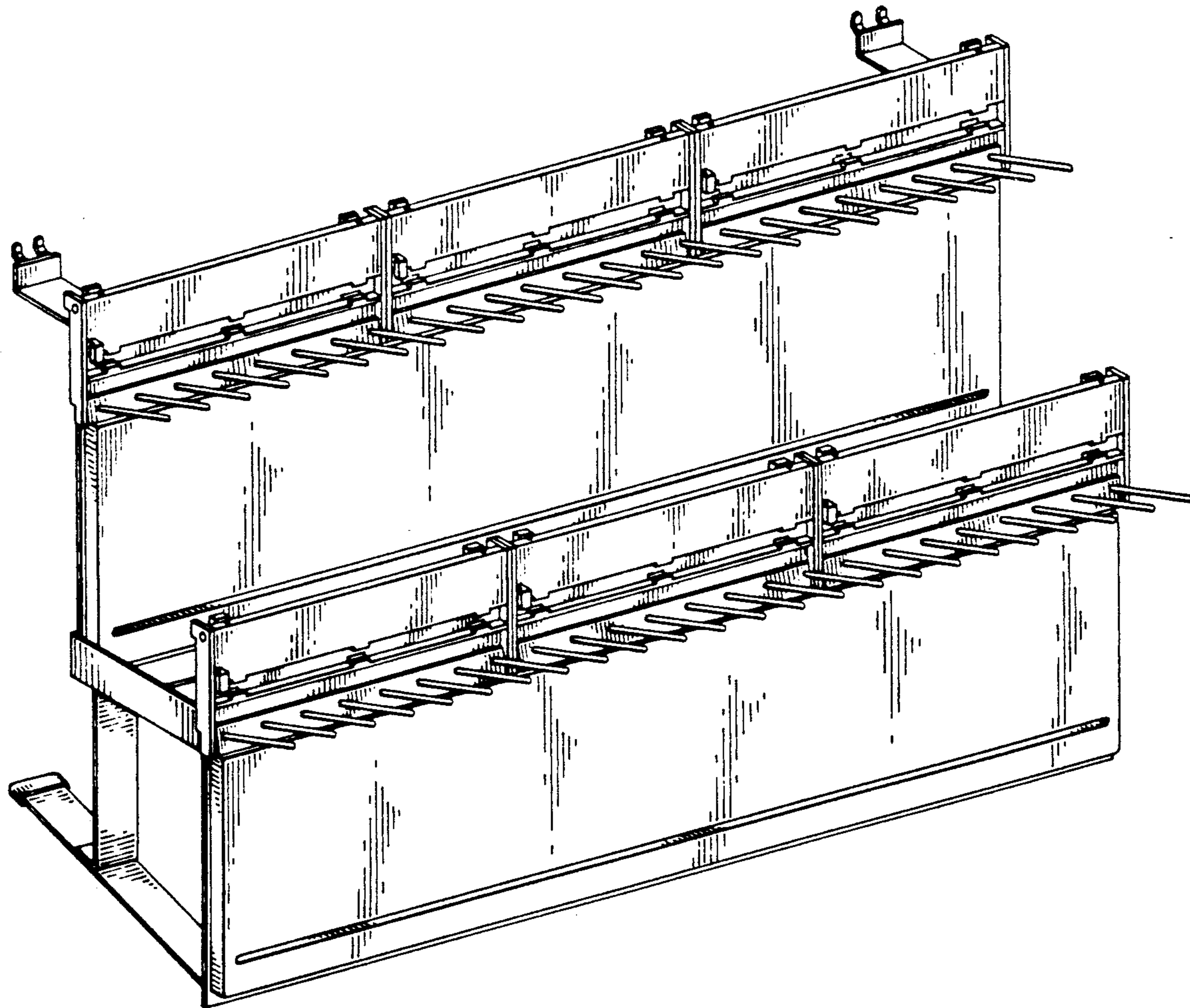
[58] Field of Search **D6/512, 553, 567, 569-571, D6/572; 108/28, 30-31, 59; 211/13, 44, 86-90, 113**

FIG. 1 is a perspective view of a wall display unit for watch bands showing my new design;
FIG. 2 is a front view thereof;
FIG. 3 is a top plan view thereof;
FIG. 4 is a bottom plan view thereof; and,
FIG. 5 is a side elevational view, the other side being a mirror image thereto.

[56] **References Cited**

U.S. PATENT DOCUMENTS

D. 221,236 7/1971 Fowler D6/571



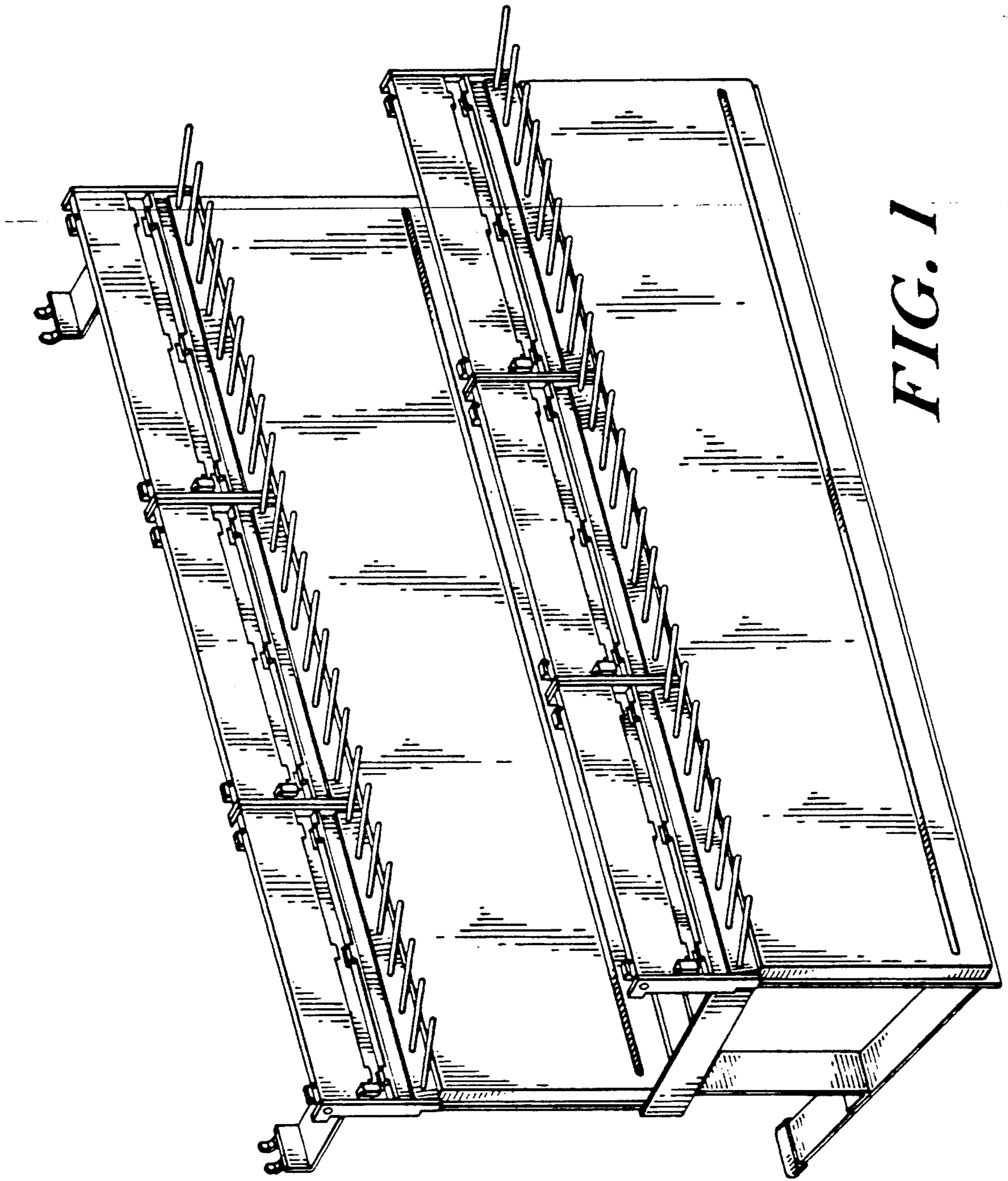


FIG. 1

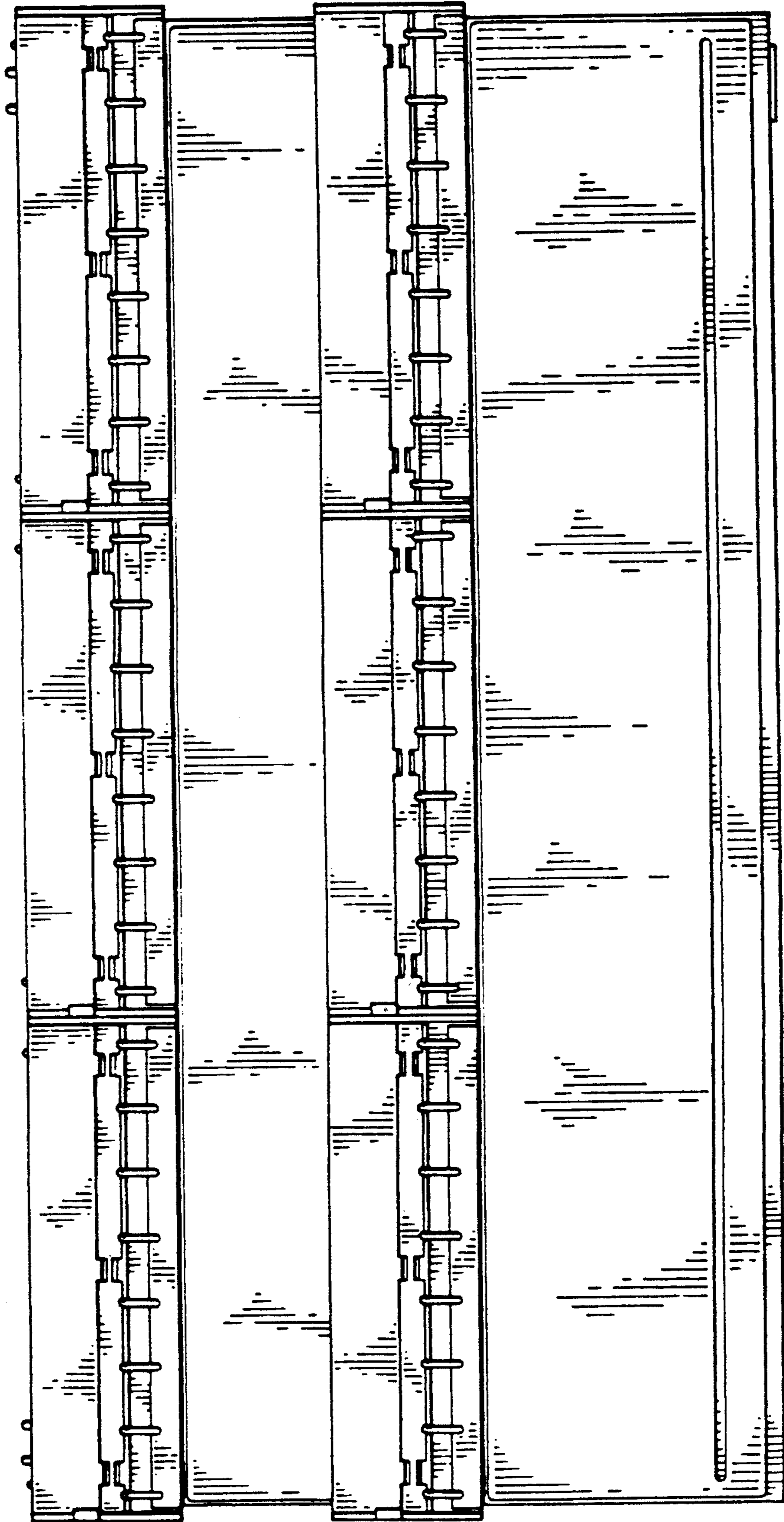


FIG. 2

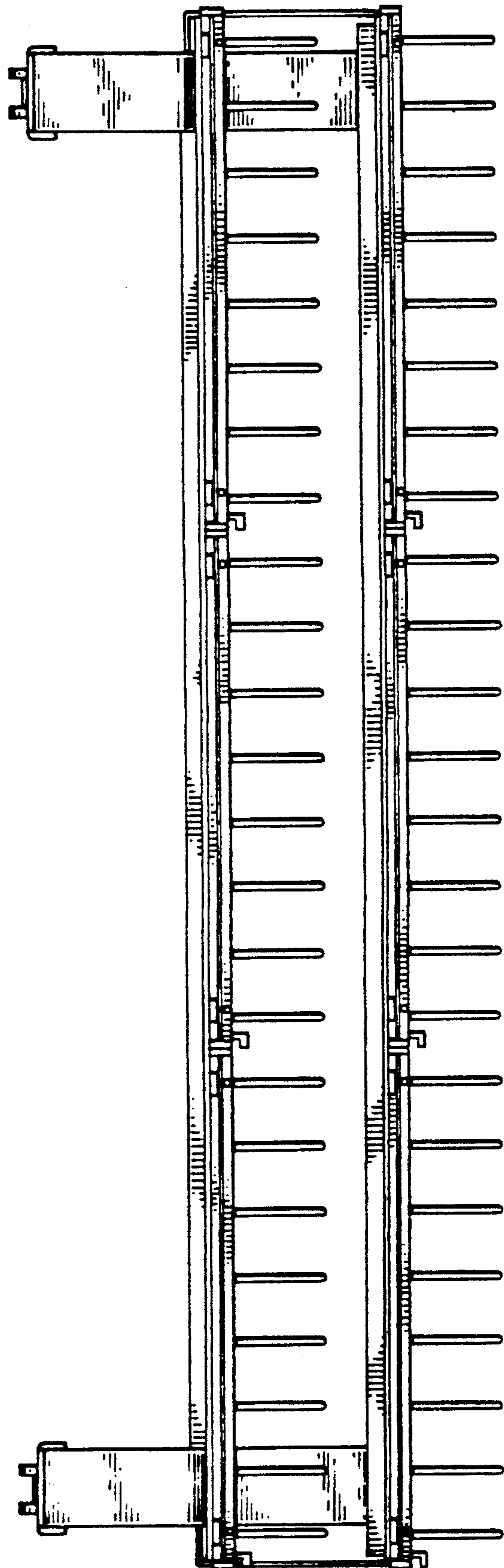


FIG. 3

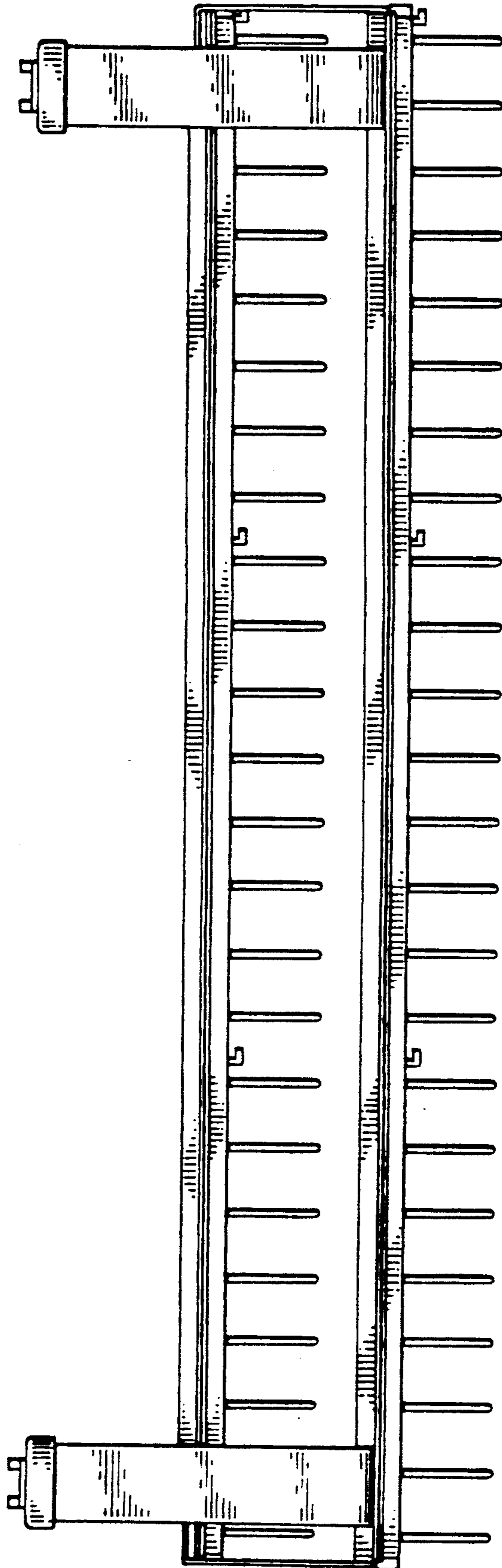


FIG. 4

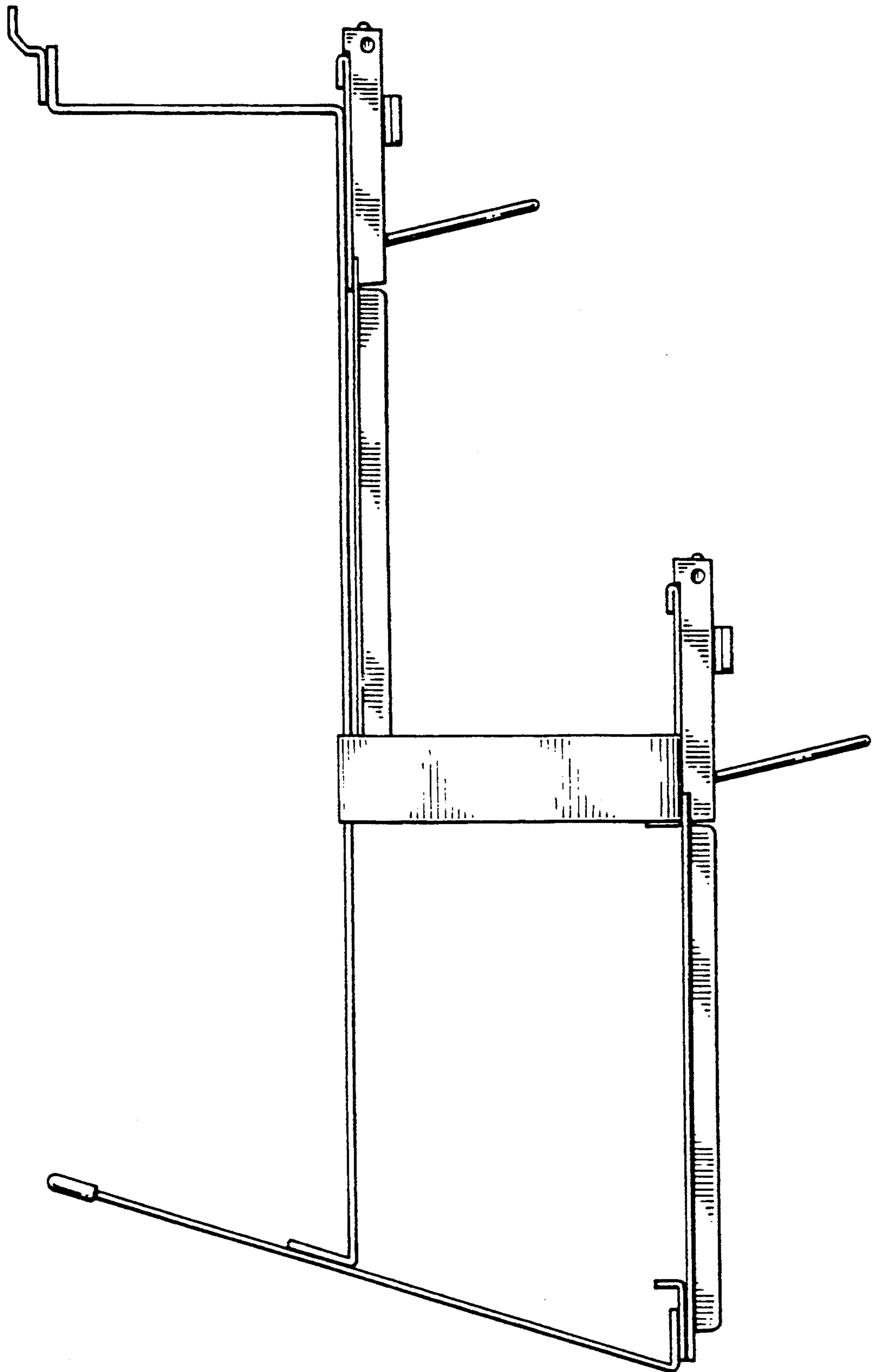


FIG. 5