



US00D346521S

United States Patent [19]

[11] Patent Number: **Des. 346,521**

Rosenthal

[45] Date of Patent: **** May 3, 1994**

[54] **DISPLAY RACK**

[75] Inventor: **Gunter Rosenthal, St-Benoit, Canada**

[73] Assignee: **Rosenthal Import, Ltd., Montreal, Canada**

[**] Term: **14 Years**

[21] Appl. No.: **820,954**

[22] Filed: **Jan. 15, 1992**

[30] **Foreign Application Priority Data**

Dec. 20, 1991 [CA] Canada 20-12-91-13

[52] U.S. Cl. **D6/566**

[58] Field of Search D6/553, 566, 567, 552, D6/572, 574; 211/13, 86-87, 88, 90, 123, 126, 134, 181; 248/220.2, 235, 251, 302, 340

[56] **References Cited**

U.S. PATENT DOCUMENTS

D. 280,280 8/1985 Pestone D6/566

D. 295,128	4/1988	Gentile	D6/566
3,865,336	2/1975	Robertson	211/123 X
3,978,799	9/1976	Escalette	211/181 X
4,122,955	10/1978	Celms	211/126 X
4,319,421	3/1982	Diamond	248/340 X

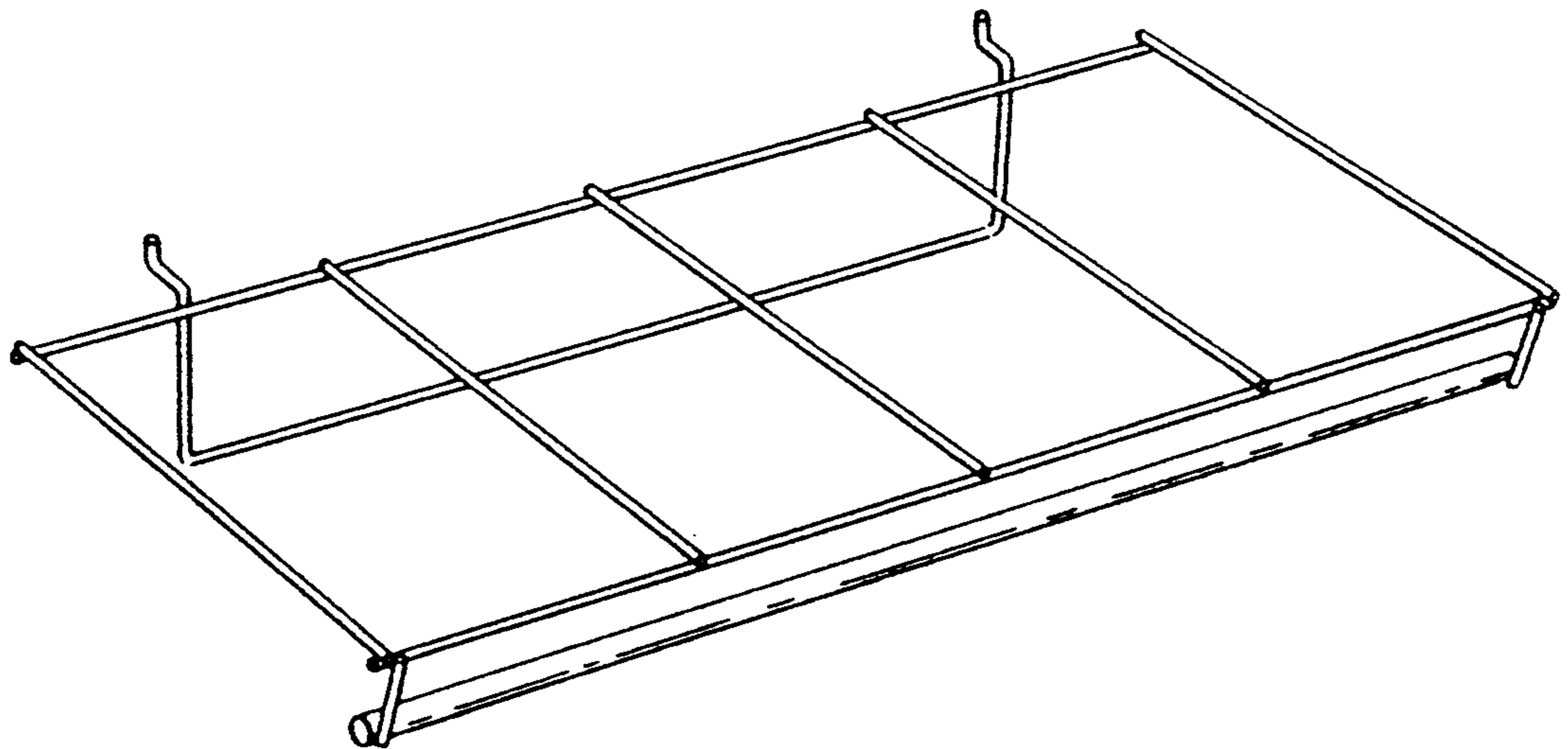
Primary Examiner—Brian N. Vinson
Attorney, Agent, or Firm—Samuel Meerkreebs

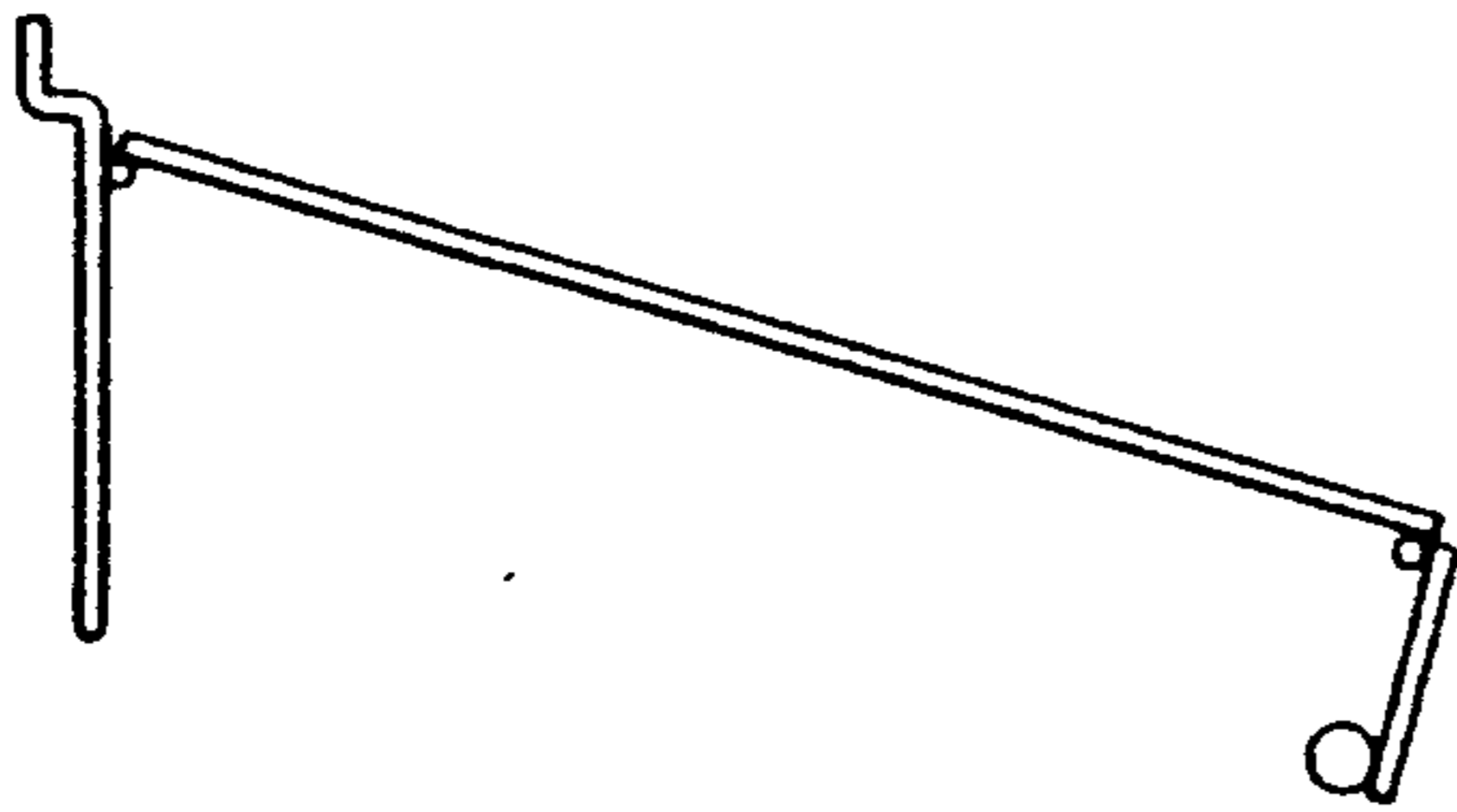
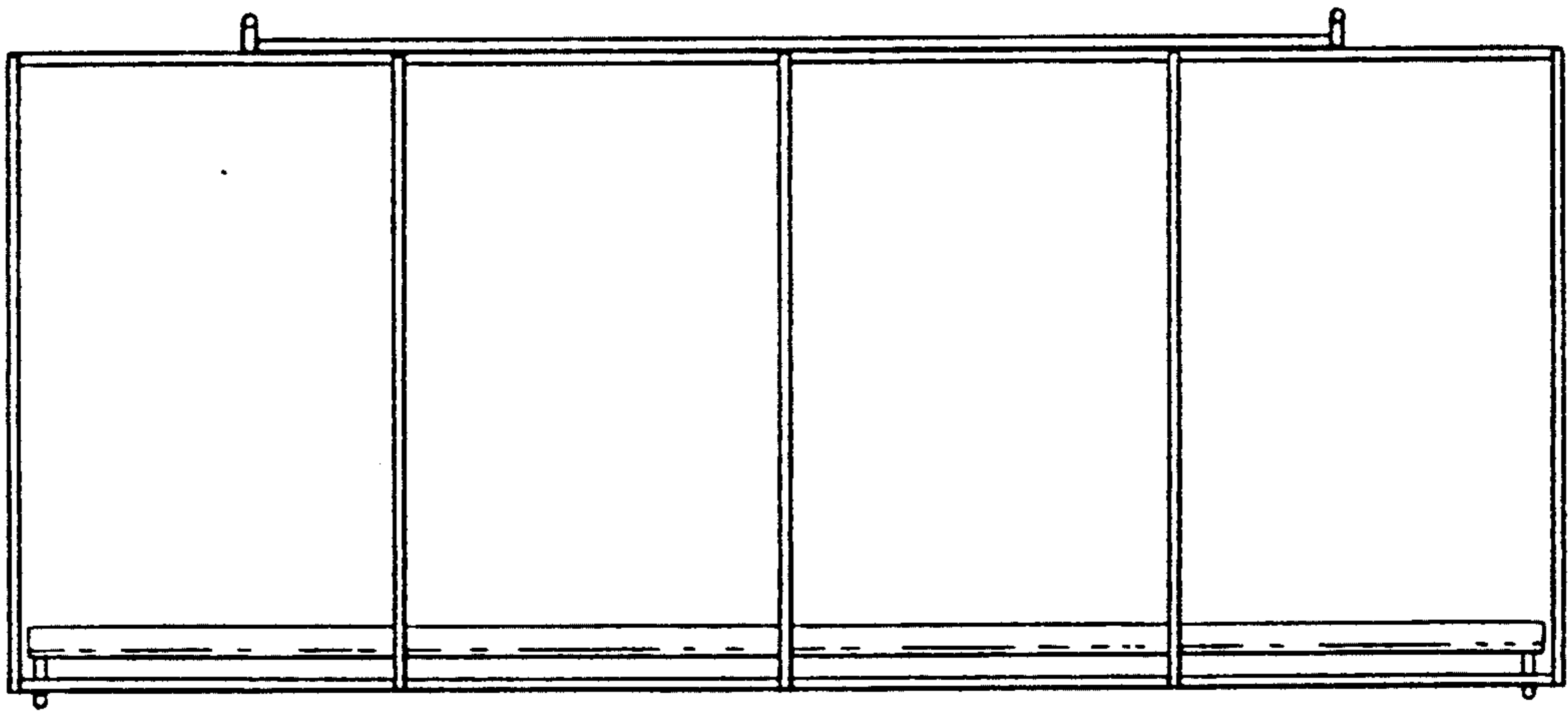
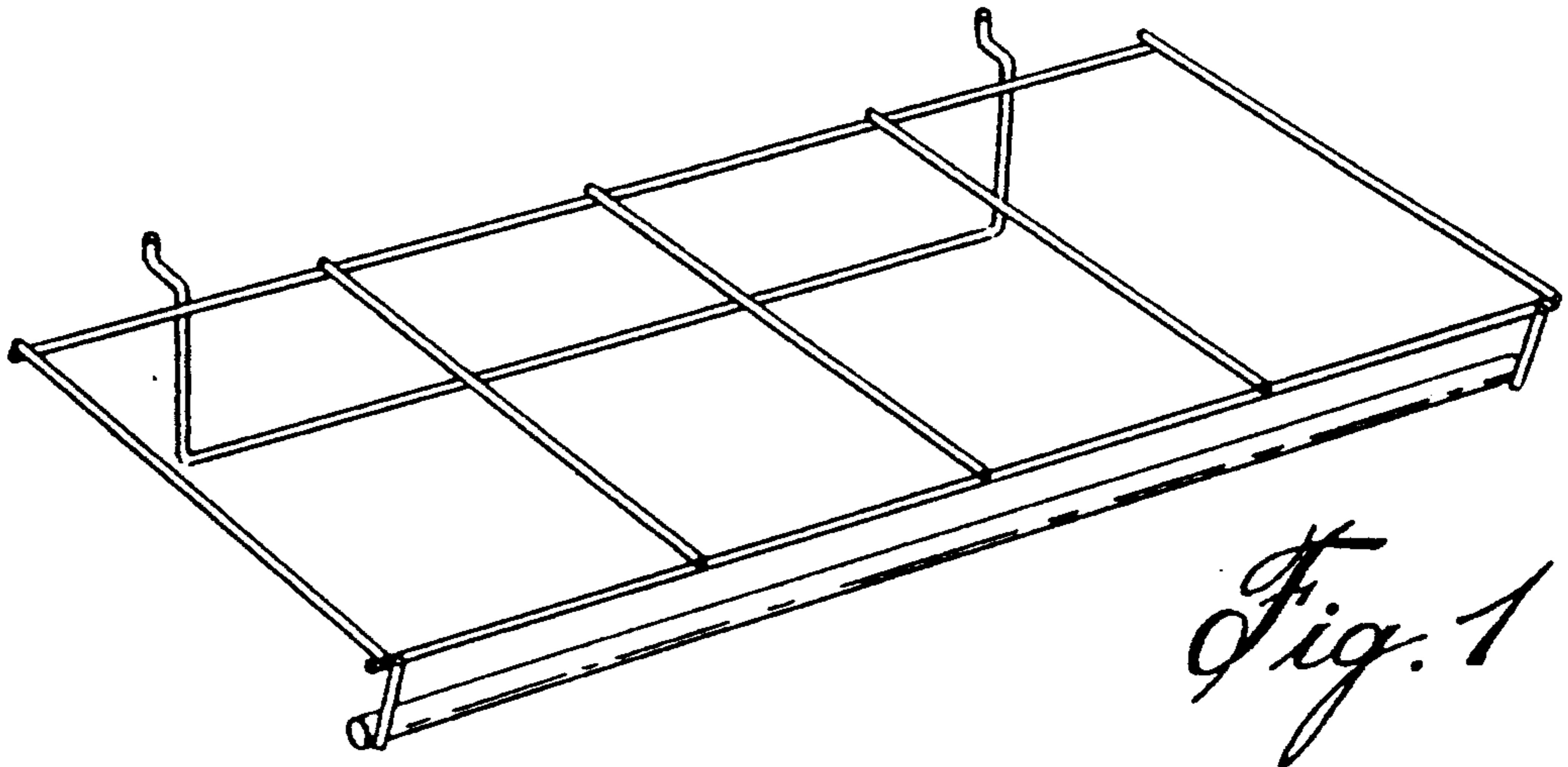
[57] **CLAIM**

The ornamental design for a display rack, as shown and described.

DESCRIPTION

FIG. 1 is a top, front and left side perspective view of a display rack showing my new design;
FIG. 2 is an enlarged top plan view thereof;
FIG. 3 is an enlarged left side elevational view thereof; the right side being a mirror image of that shown;
FIG. 4 is an enlarged front elevational view thereof;
FIG. 5 is an enlarged rear elevational view thereof; and
FIG. 6 is an enlarged bottom plan view thereof.





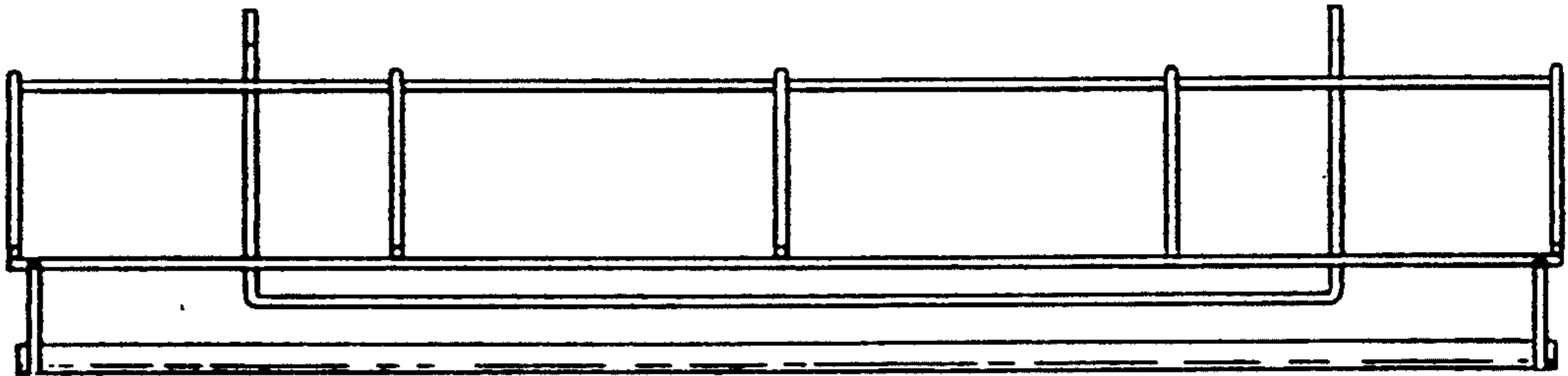


Fig. 4

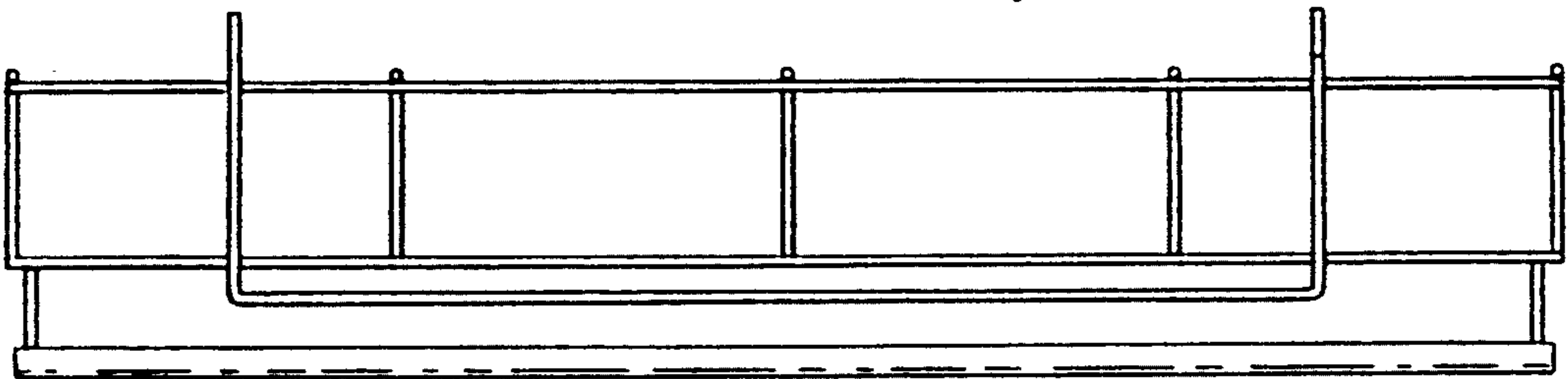


Fig. 5

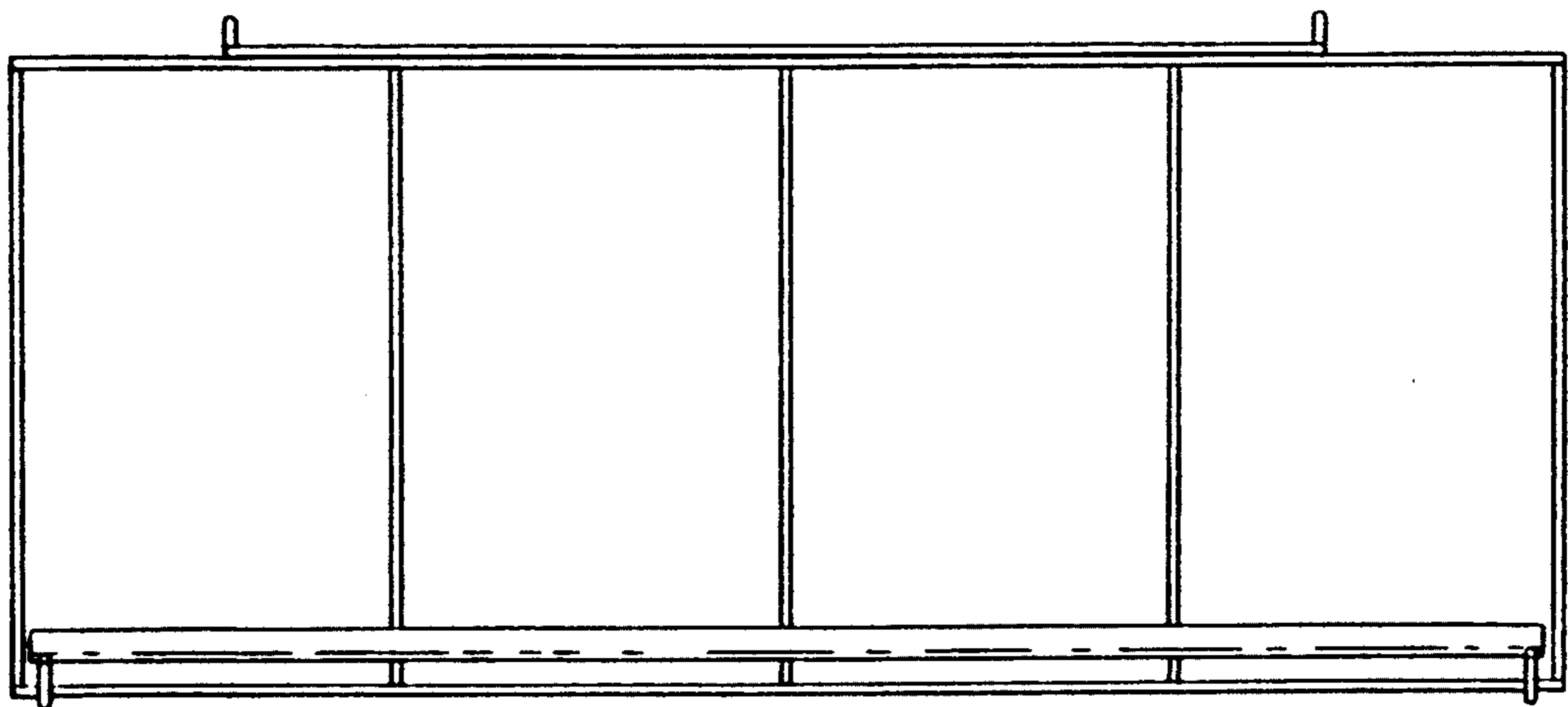


Fig. 6