



US00D346520S

# United States Patent [19]

Barfield

[11] Patent Number: **Des. 346,520**

[45] Date of Patent: **\*\* May 3, 1994**

[54] **BALL HOLDER**

[75] Inventor: **Jesse Barfield, Houston, Tex.**

[73] Assignee: **Sports Designs by Jesse Barfield, Inc., Houston, Tex.**

[\*\*] Term: **14 Years**

[21] Appl. No.: **939,364**

[22] Filed: **Sep. 2, 1992**

[52] U.S. Cl. .... **D6/552**

[58] Field of Search ..... **D6/552-553;**  
206/315.1, 315.9, 503; 211/13-14, 49.1, 189;  
312/234, 245

[56] **References Cited**

**U.S. PATENT DOCUMENTS**

4,103,773	8/1978	Haber .....	211/14 X
4,917,282	4/1990	Hufford .....	211/14 X
4,955,485	9/1990	Alton .....	211/189 X
5,195,633	3/1993	Kaminski .....	211/14 X

*Primary Examiner*—Brian N. Vinson  
*Attorney, Agent, or Firm*—Pravel, Hewitt, Kimball & Krieger

[57] **CLAIM**

The ornamental design for a ball holder, as shown and described.

**DESCRIPTION**

FIG. 1 is a front perspective view of a first embodiment of my ball holder;  
FIG. 2 is a front elevational view thereof;  
FIG. 3 is a top plan view thereof;  
FIG. 4 is a right side elevational view thereof;  
FIG. 5 is a back elevational view thereof;  
FIG. 6 is a left side elevational view thereof;  
FIG. 7 is a bottom view thereof;  
FIG. 8 is a front elevational view of a second embodiment of the ball holder of FIG. 1; and,  
FIG. 9 is a right side elevational view of the second embodiment of the ball holder of FIG. 8, the left side elevational view being a mirror image thereof.

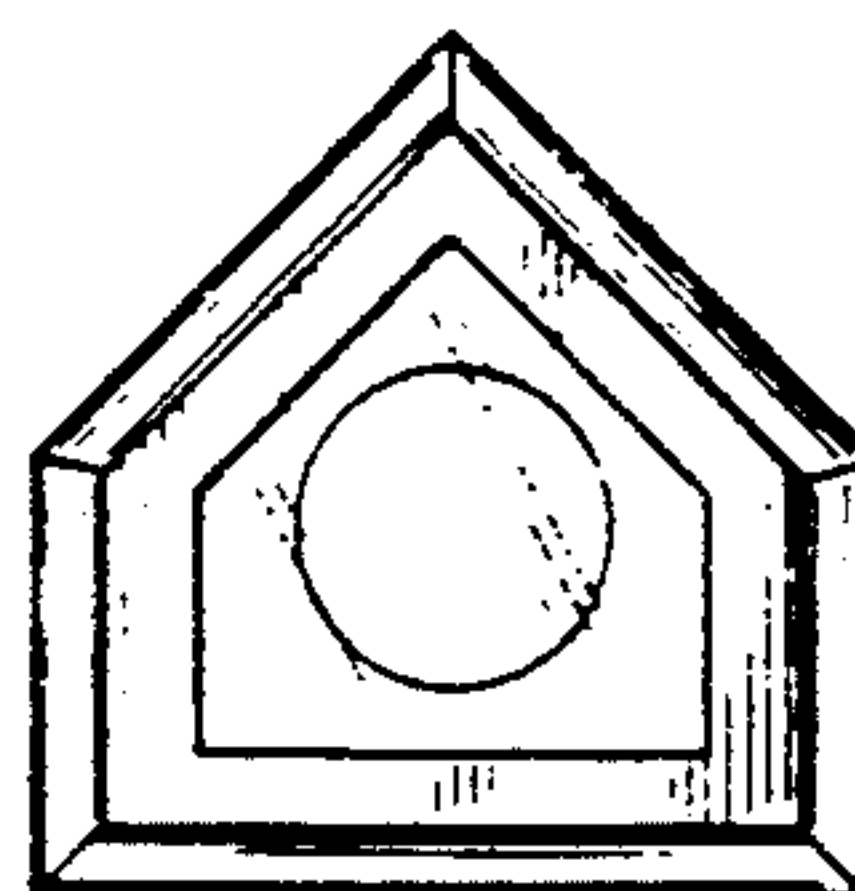
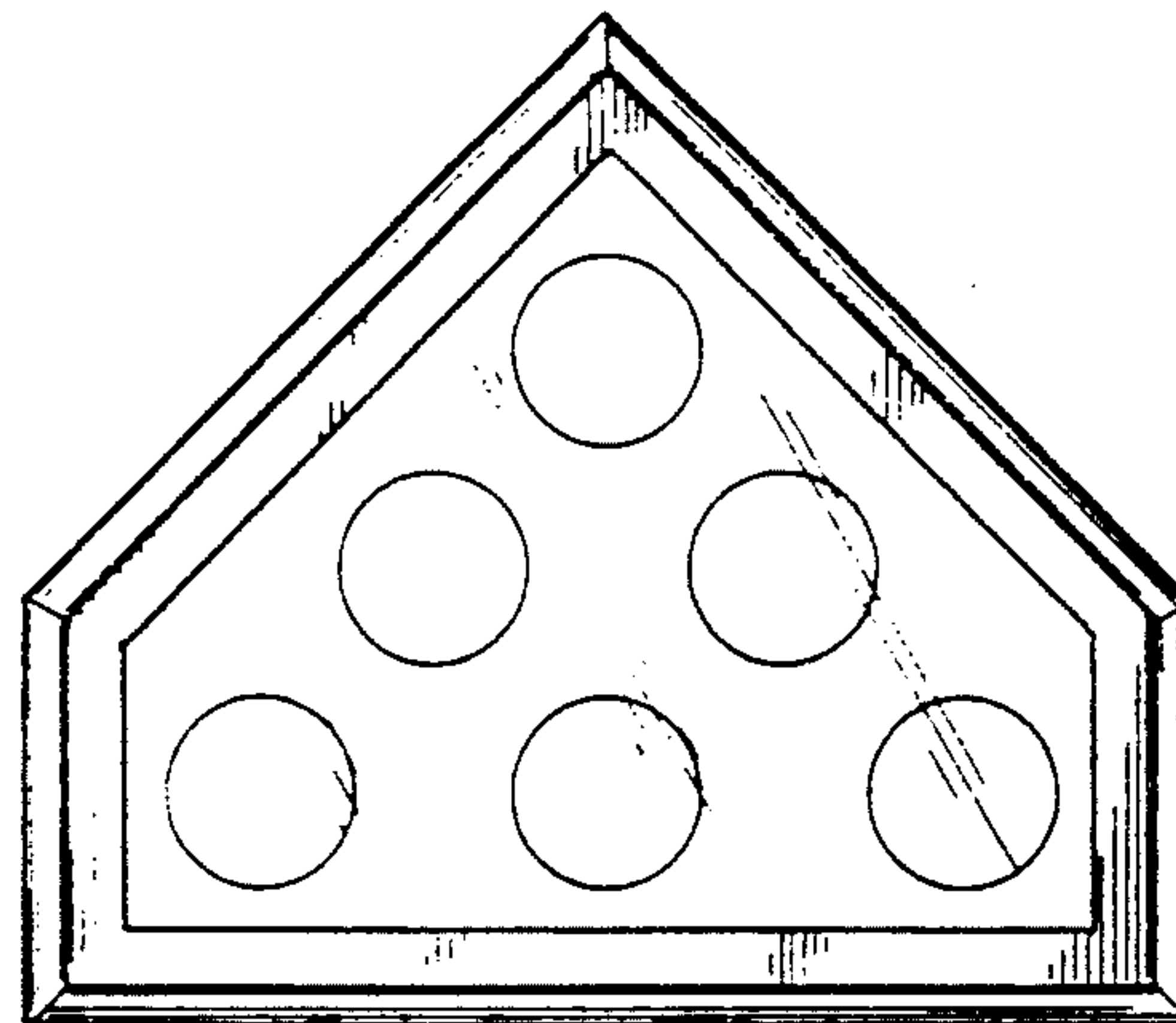
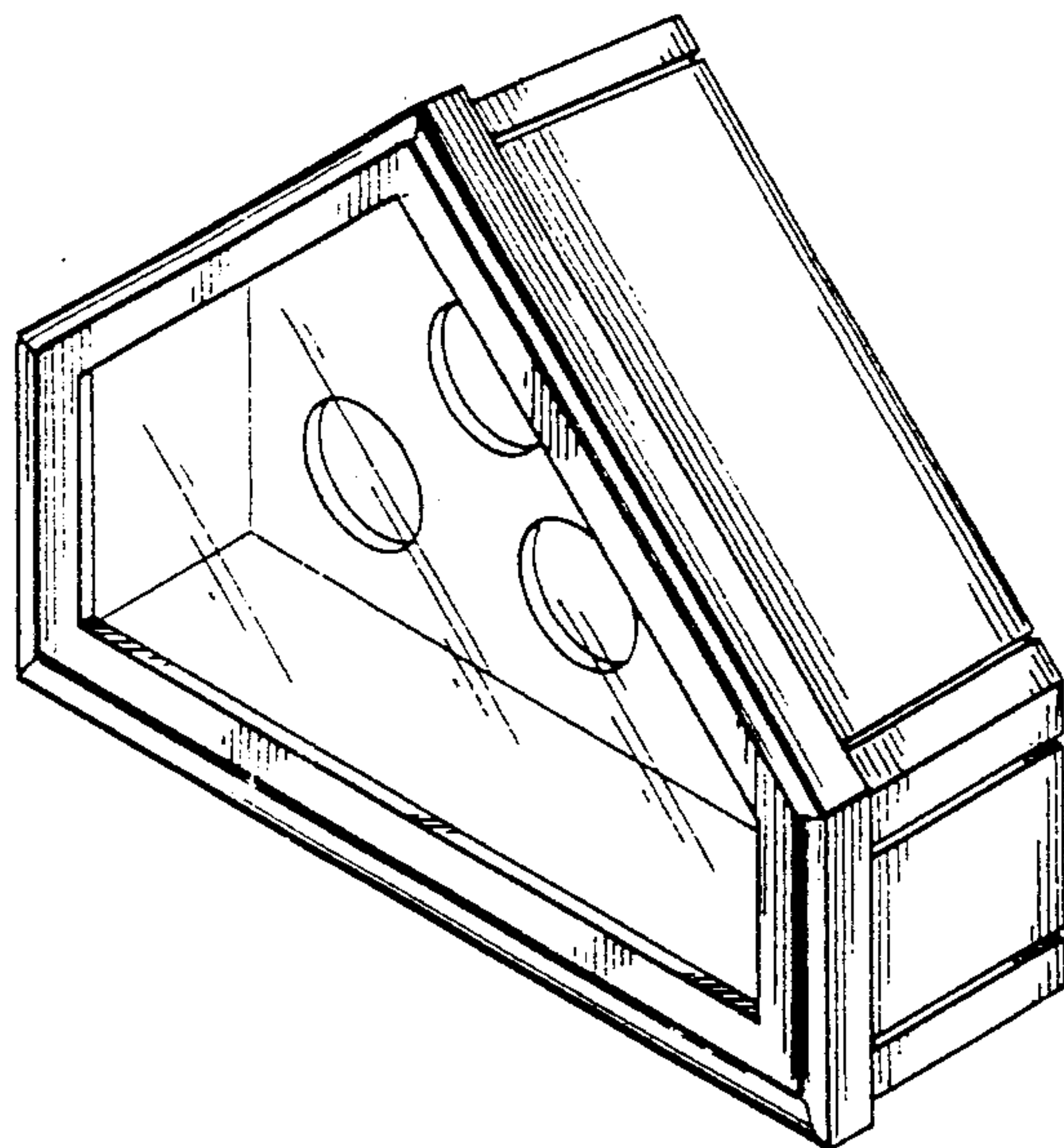


FIG. 1

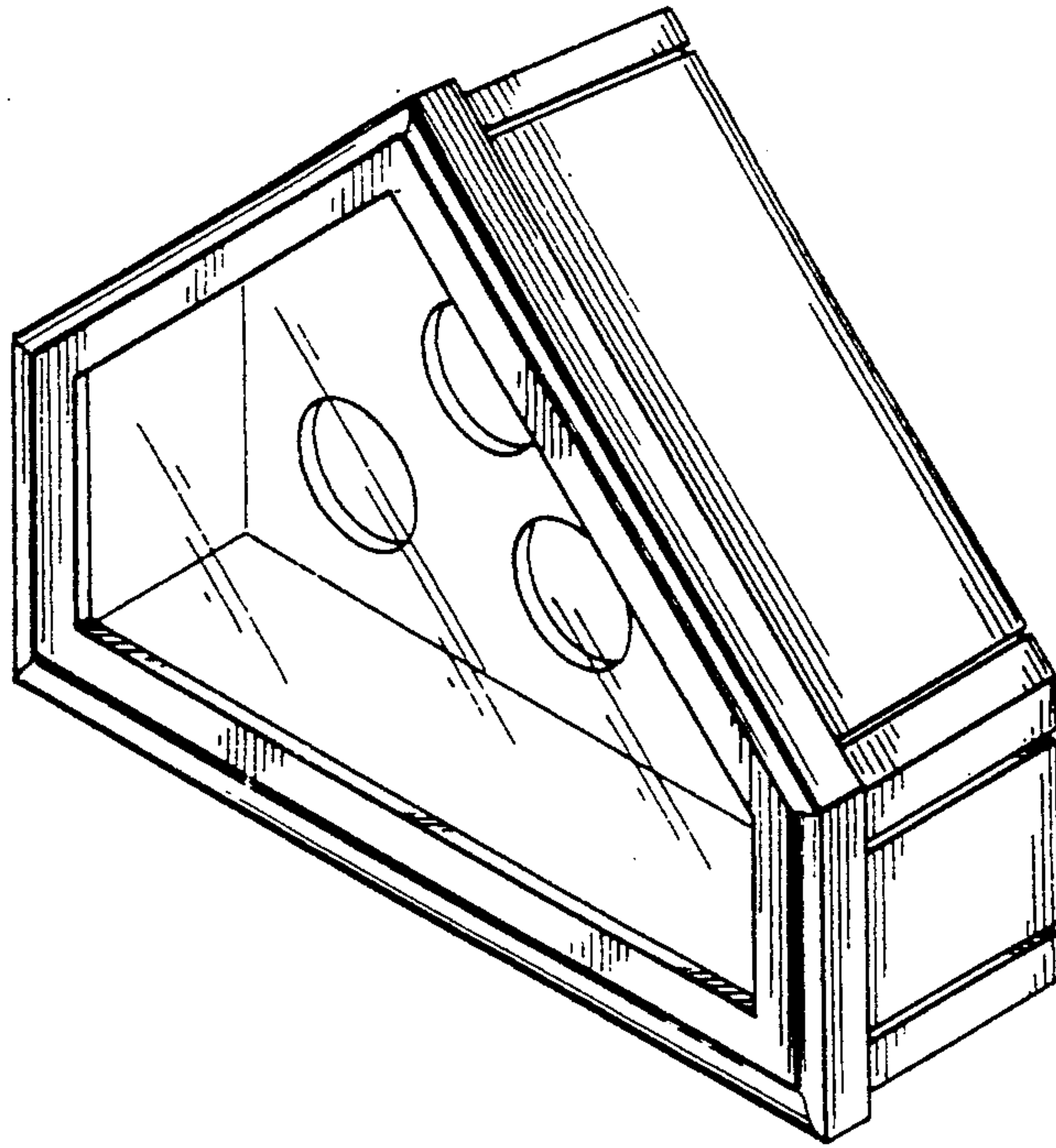


FIG. 3



FIG. 4

FIG. 2

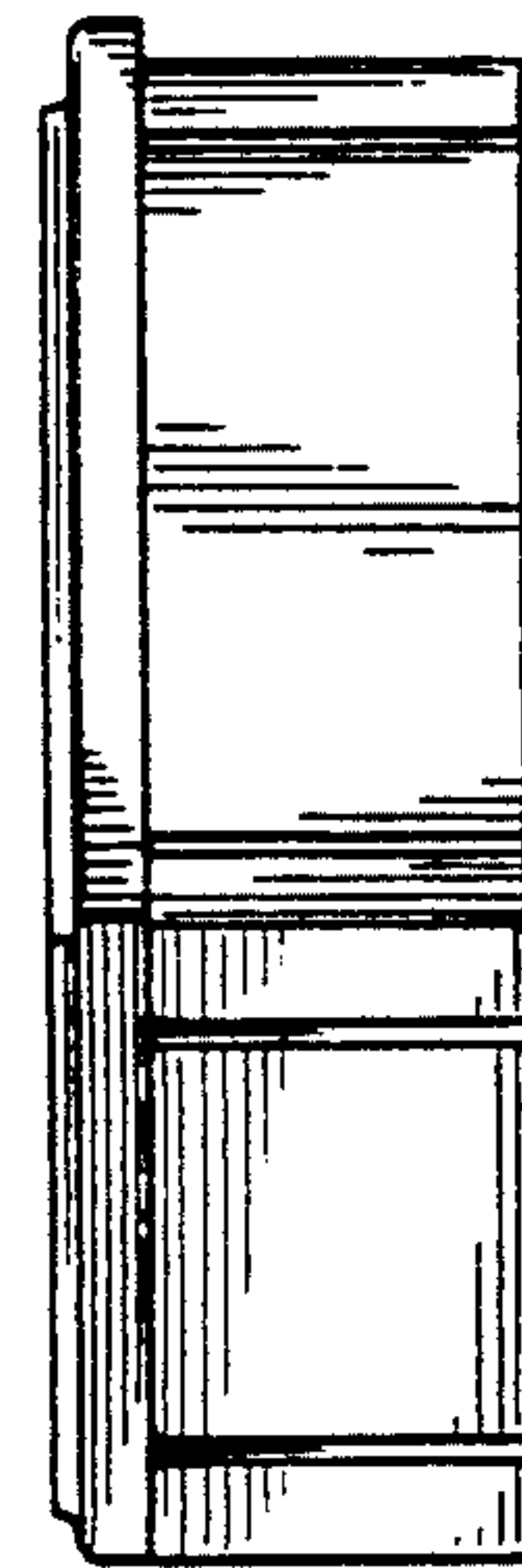
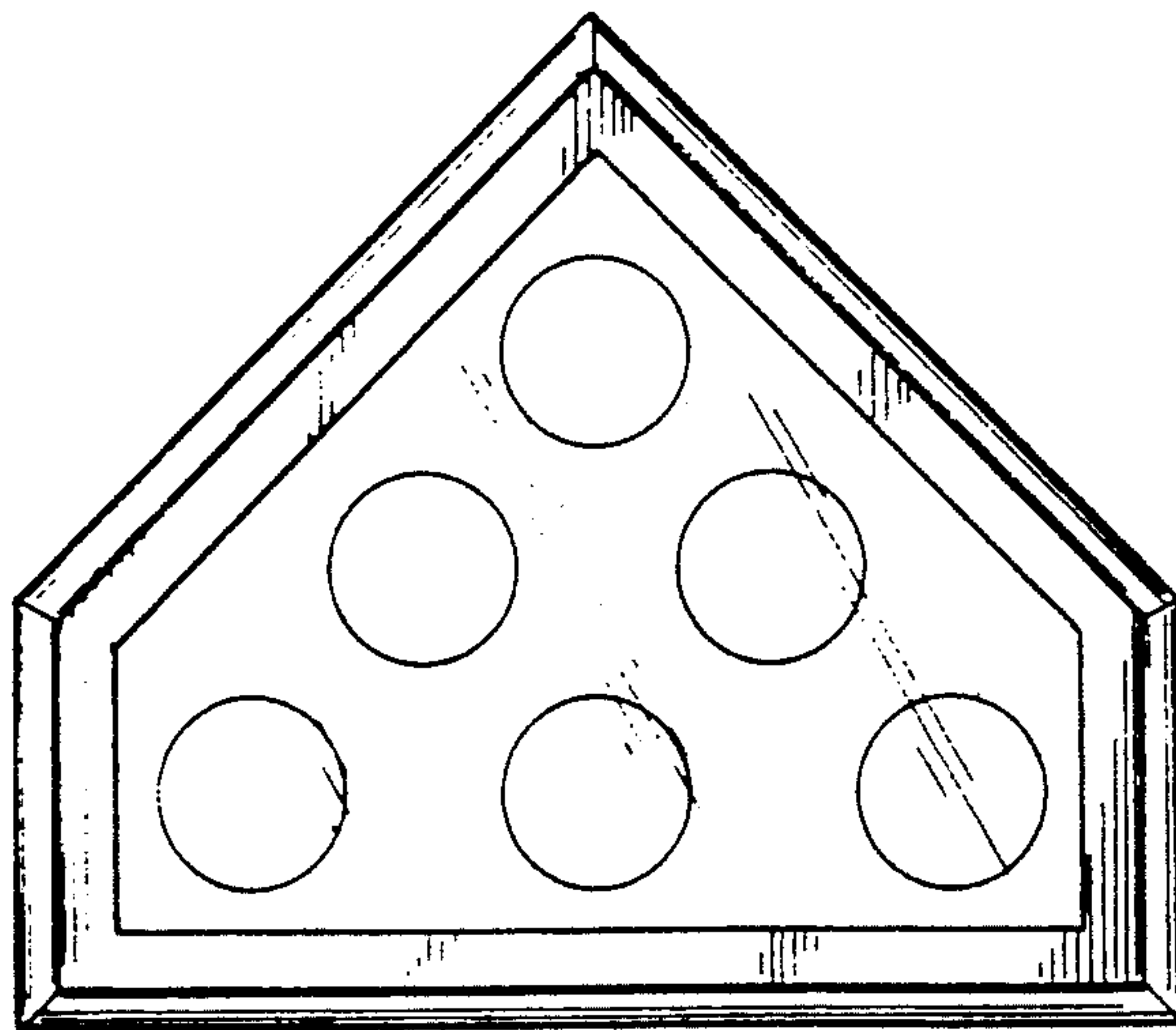


FIG. 5

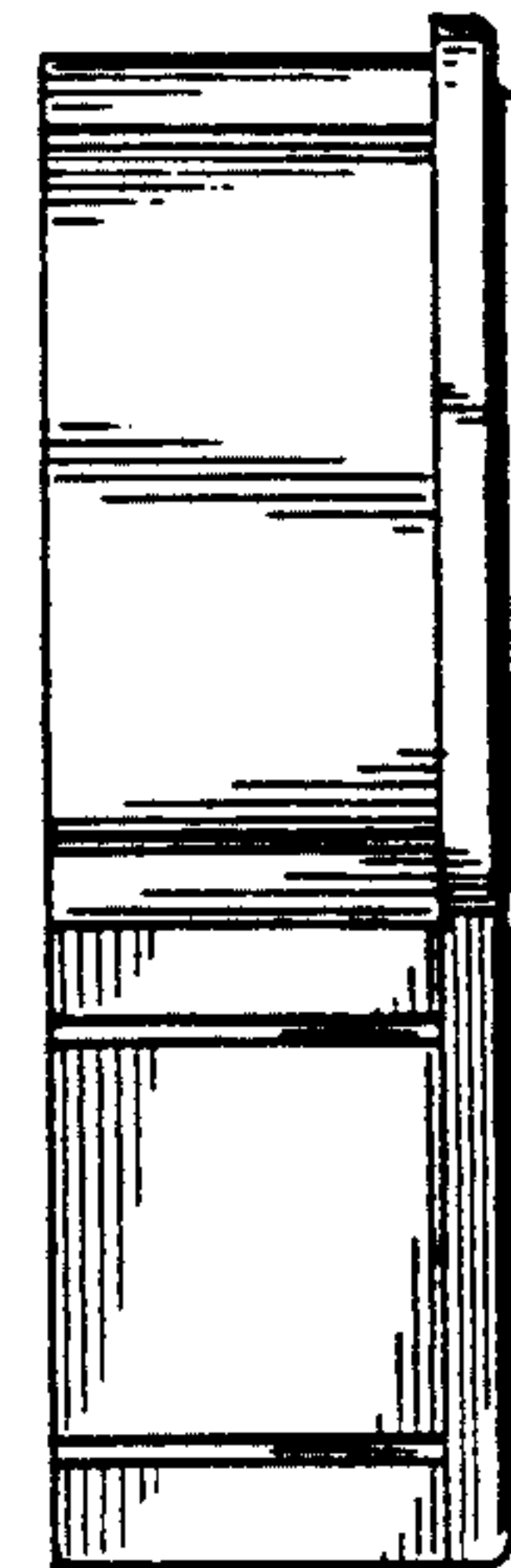
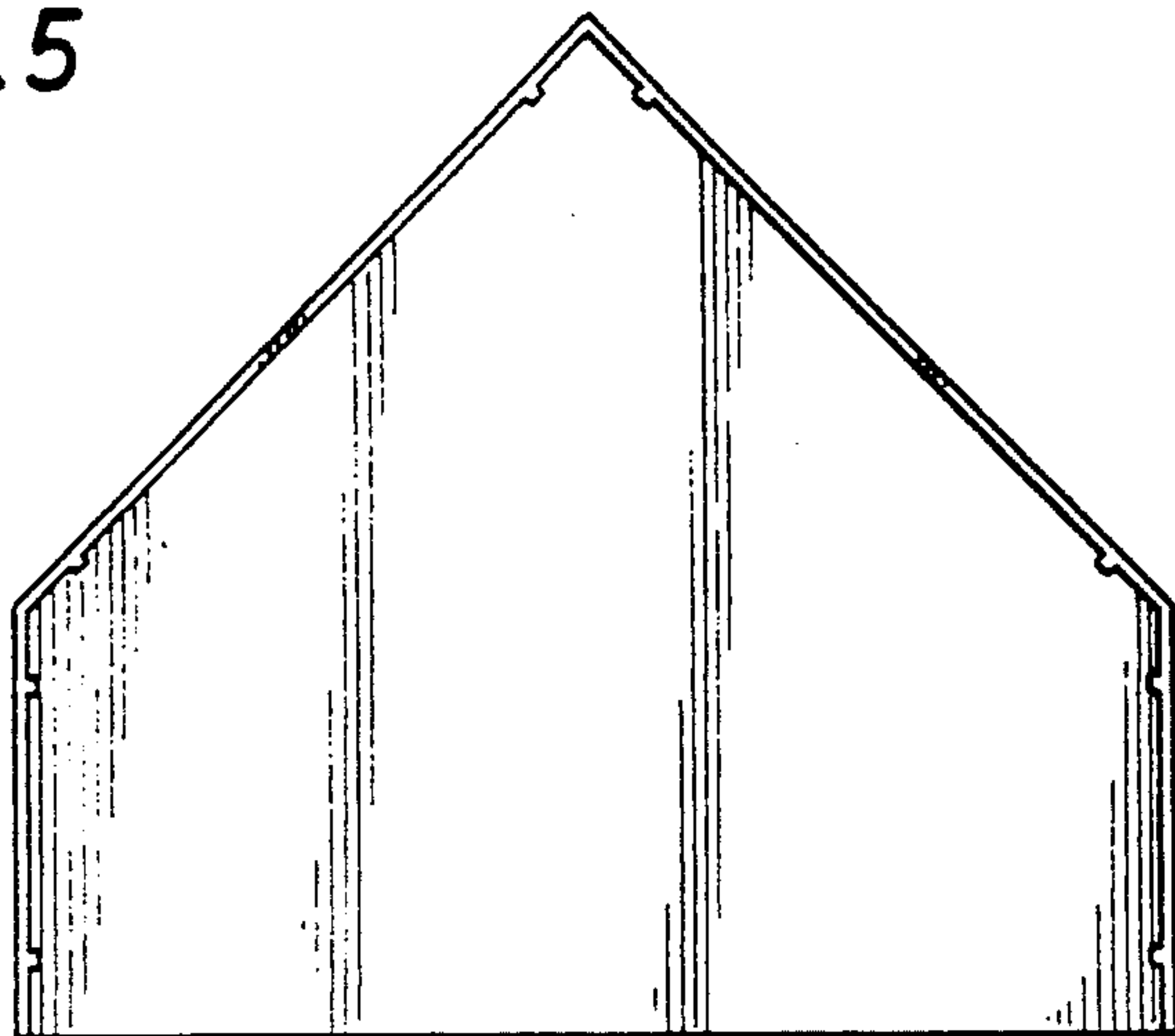


FIG. 6

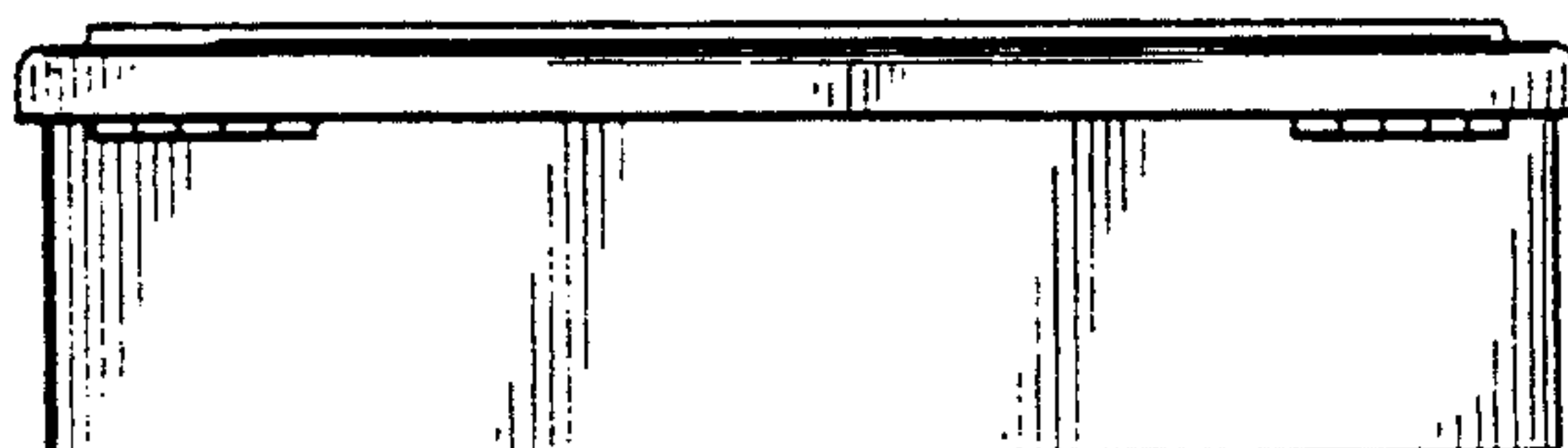


FIG. 7

FIG. 9

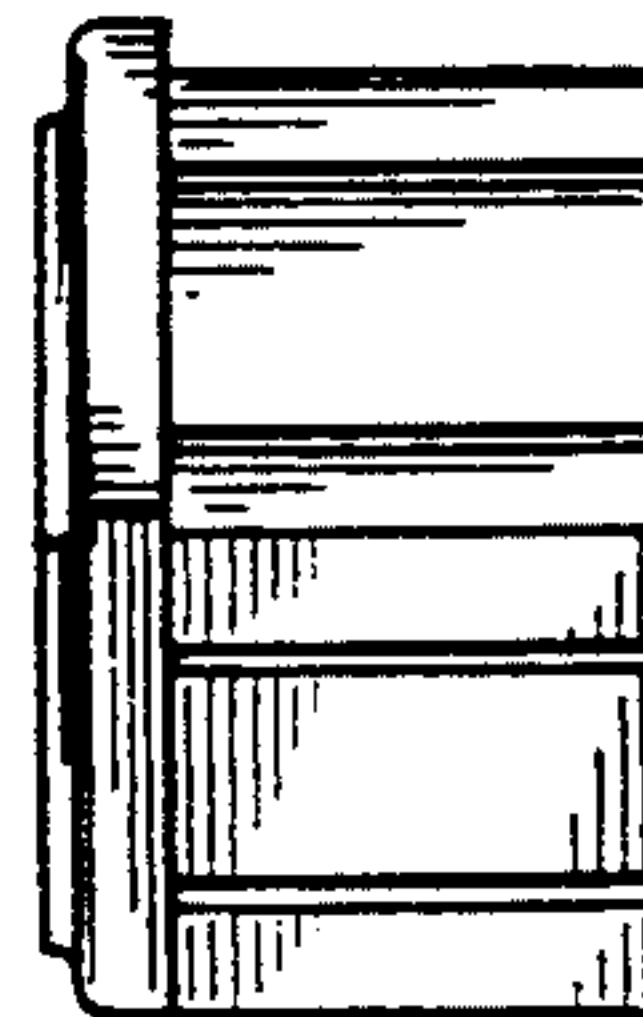
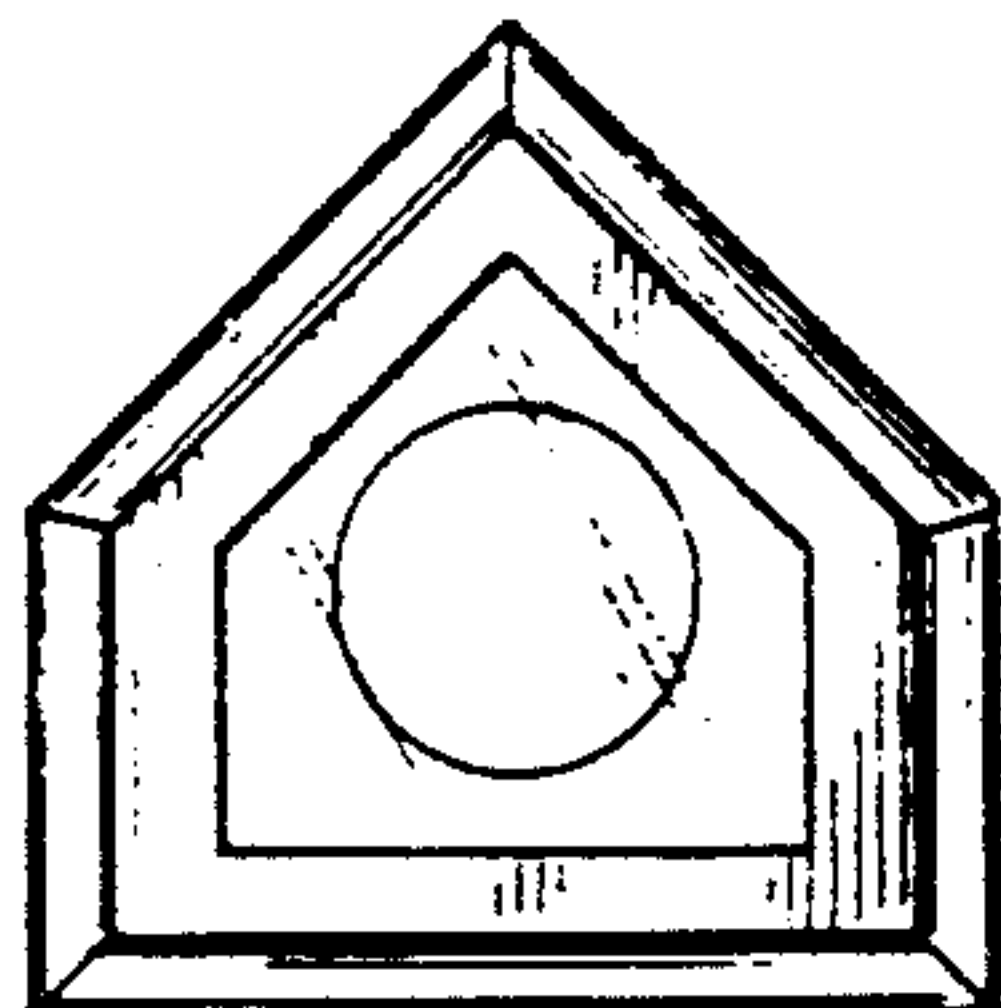


FIG. 8