



US00D346517S

# United States Patent [19]

[11] Patent Number: **Des. 346,517**

Franklin et al.

[45] Date of Patent: **\*\* May 3, 1994**

[54] **BRACKET FOR HOLDING, MEASURING AND CUTTING PLASTIC WRAP**

4,586,616	5/1986	Cooper et al.	.....	211/87 X
4,951,858	8/1990	Krall	.....	225/19
5,031,813	7/1991	Broughton	.....	225/19

[76] Inventors: **Robert V. Franklin; Karen R. Franklin**, both of 3707 Fairway Dr., Temple, Tex. 76502

*Primary Examiner*—Brian N. Vinson  
*Attorney, Agent, or Firm*—Terry M. Gernstein

[\*\*] Term: **14 Years**

[57] **CLAIM**

[21] Appl. No.: **1,213**

The ornamental design for a bracket for holding, measuring and cutting plastic wrap, as shown and described.

[22] Filed: **Nov. 6, 1992**

[52] U.S. Cl. .... **D6/515**

**DESCRIPTION**

[58] Field of Search ..... **D6/518, 522-523; 242/54 R, 55.2, 56 R, 55.3**

FIG. 1 is a front, top and side perspective view of the bracket for holding, measuring and cutting plastic wrap showing our new design;

[56] **References Cited**

**U.S. PATENT DOCUMENTS**

D. 306,945	4/1990	Lucchini	.....	D6/518
D. 317,385	6/1991	Wolff et al.	.....	D6/522
D. 337,013	7/1993	Poliandro	.....	D6/518
4,130,228	12/1978	Perrin	.....	225/19

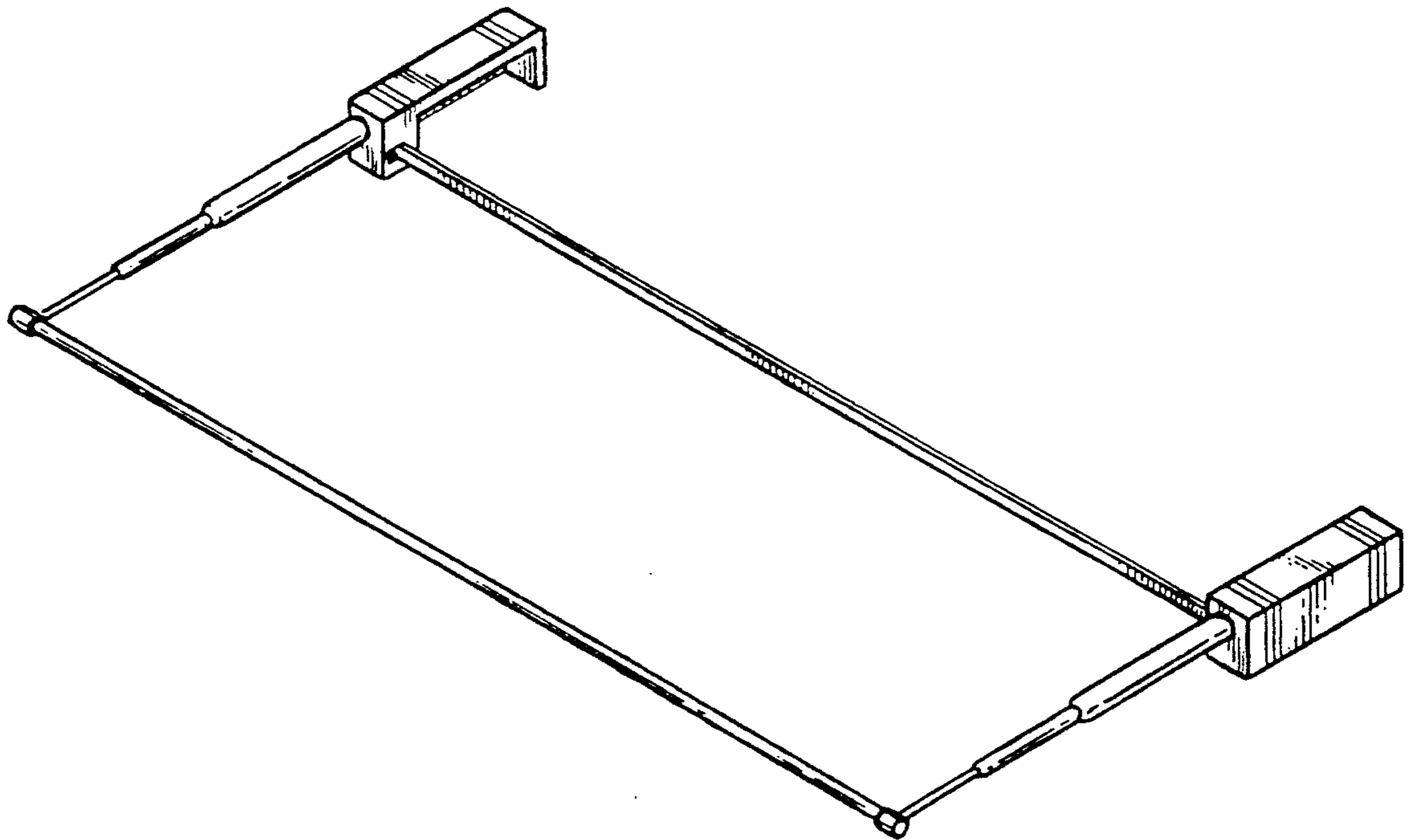
FIG. 2 is a front elevational view thereof;

FIG. 3 is a rear elevational view thereof;

FIG. 4 is a side elevational view thereof, the side opposite being a mirror image of the side shown in FIG. 4;

FIG. 5 is a top plan view thereof; and,

FIG. 6 is a bottom plan view thereof.



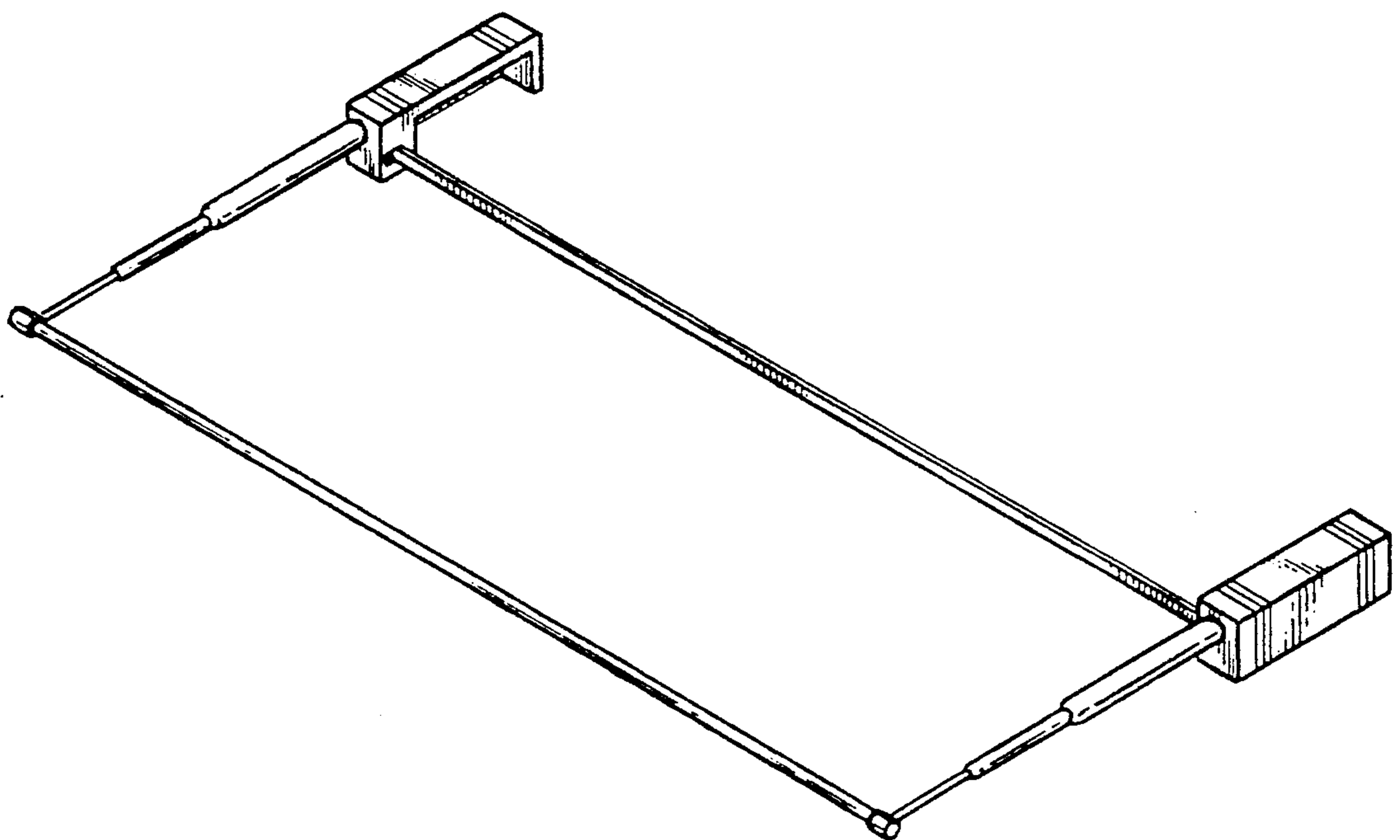


FIG. 1



FIG. 2

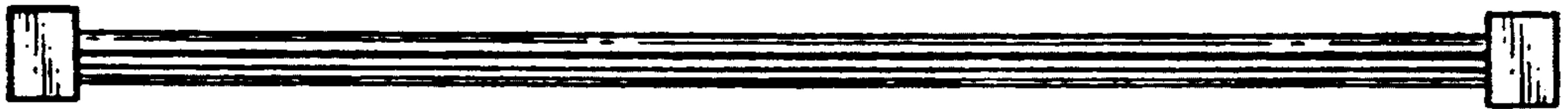


FIG. 3

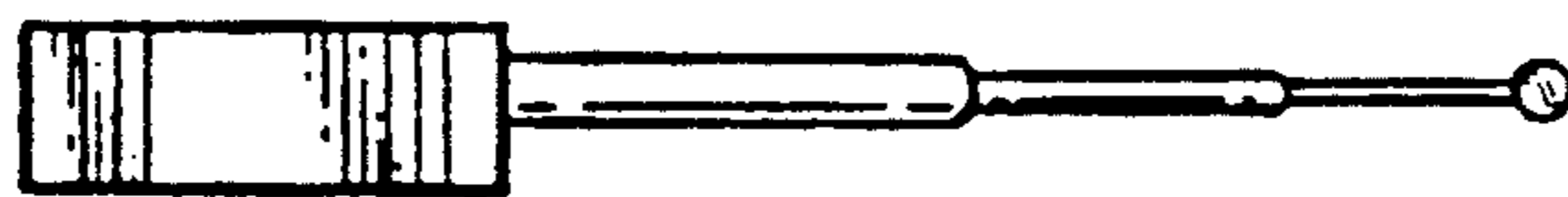


FIG. 4

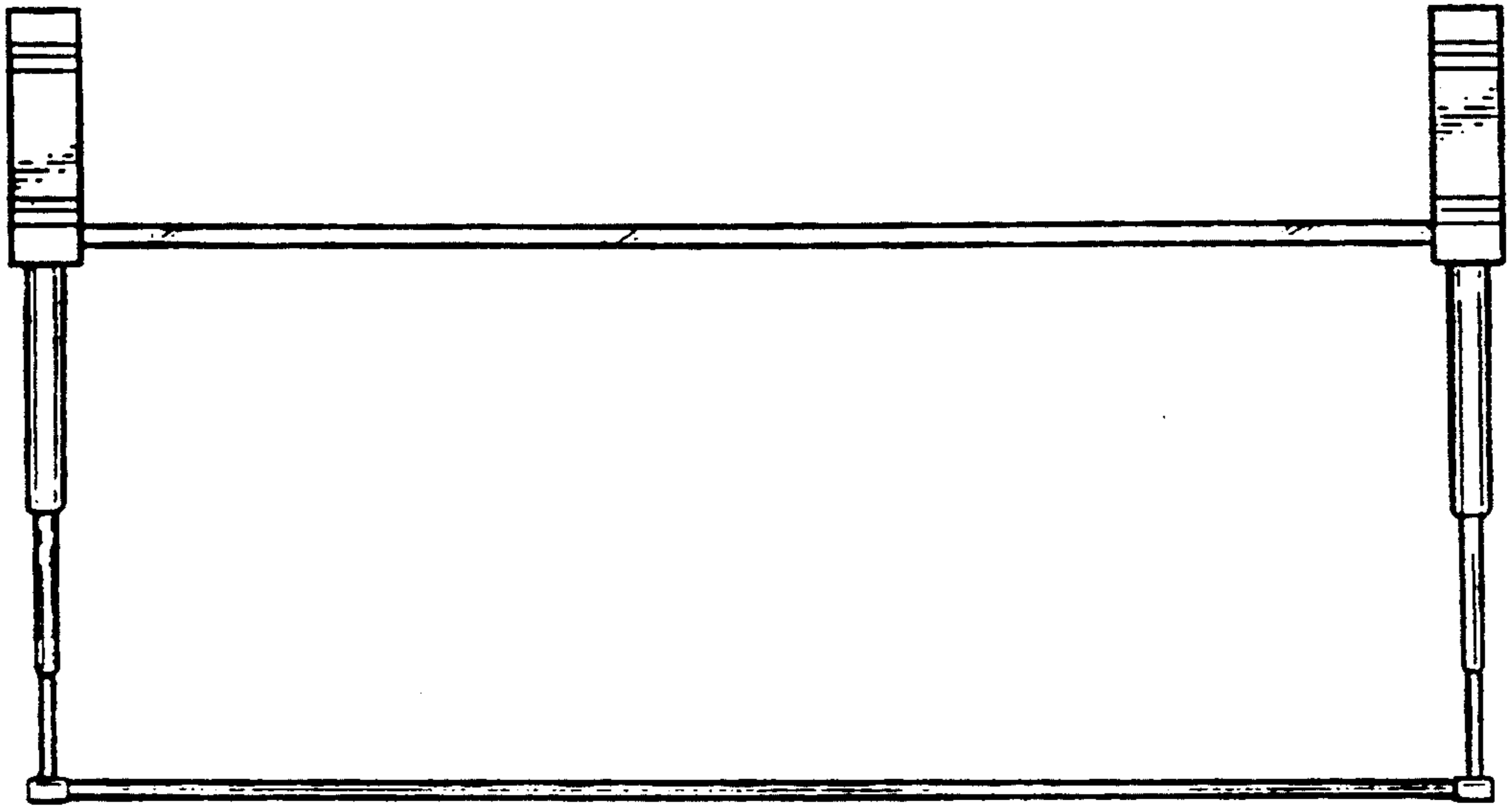


FIG. 5

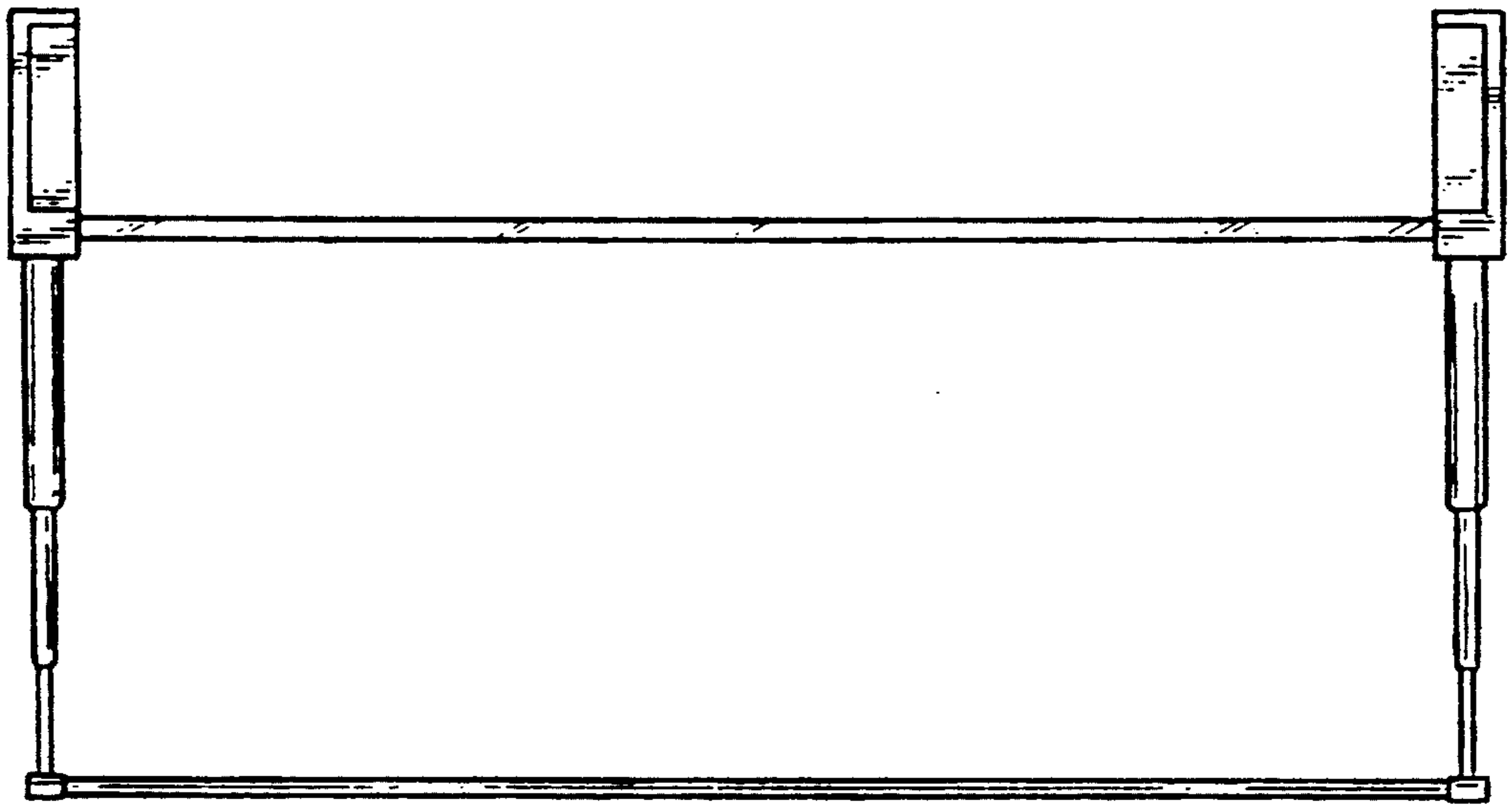


FIG. 6