



US00D346514S

United States Patent [19]

[11] Patent Number: **Des. 346,514**

Barish

[45] Date of Patent: **** May 3, 1994**

[54] **FOOD KIOSK**

[76] Inventor: **Sidney Barish**, 55 Newkirk Rd.
North, Richmond Hill, Ontario,
Canada, L4C 3G4

[**] Term: **14 Years**

[21] Appl. No.: **892,000**

[22] Filed: **Jun. 2, 1992**

[30] **Foreign Application Priority Data**

Dec. 12, 1991 [CA] Canada 121291

[52] U.S. Cl. **D6/481**

[58] Field of Search D6/481, 474, 411, 414;
312/140.1, 140.2, 239; D25/16, 58

[56] **References Cited**

U.S. PATENT DOCUMENTS

D. 105,764	8/1937	Hunter	D25/16 X
D. 139,893	1/1945	Roberts et al.	D6/481
D. 197,497	2/1964	Heidemann	D25/16 X
D. 241,897	10/1976	Weaver	D6/481

D. 245,101	7/1977	Spellman et al.	D25/16
D. 265,617	8/1982	Saurage, III et al.	D6/481
D. 328,206	7/1992	Lewis	D6/481
2,660,504	11/1953	Bridge	312/239

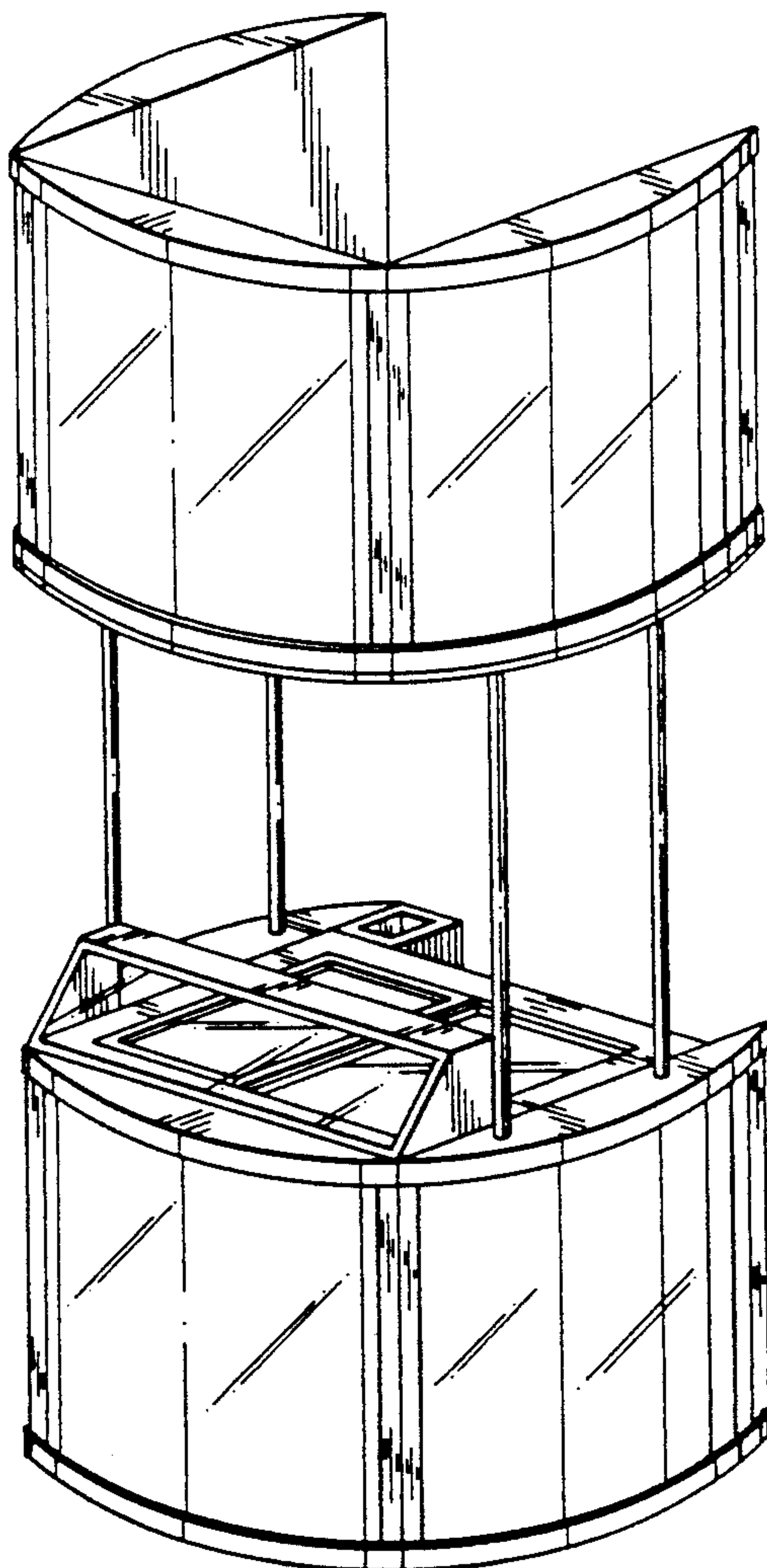
Primary Examiner—Nelson C. Holtje
Assistant Examiner—J. E. Seeger
Attorney, Agent, or Firm—Bauer & Schaffer

[57] **CLAIM**

The ornamental design for a food kiosk, as shown and described.

DESCRIPTION

FIG. 1 is a perspective view of the food kiosk according to the design;
FIG. 2 is a top plan view of the kiosk;
FIG. 3 is a bottom plan view of the design;
FIG. 4 is a front elevation of the kiosk according to the design;
FIG. 5 is a rear elevation of the kiosk according to the design; and,
FIGS. 6 and 7 are side elevations of the kiosk.



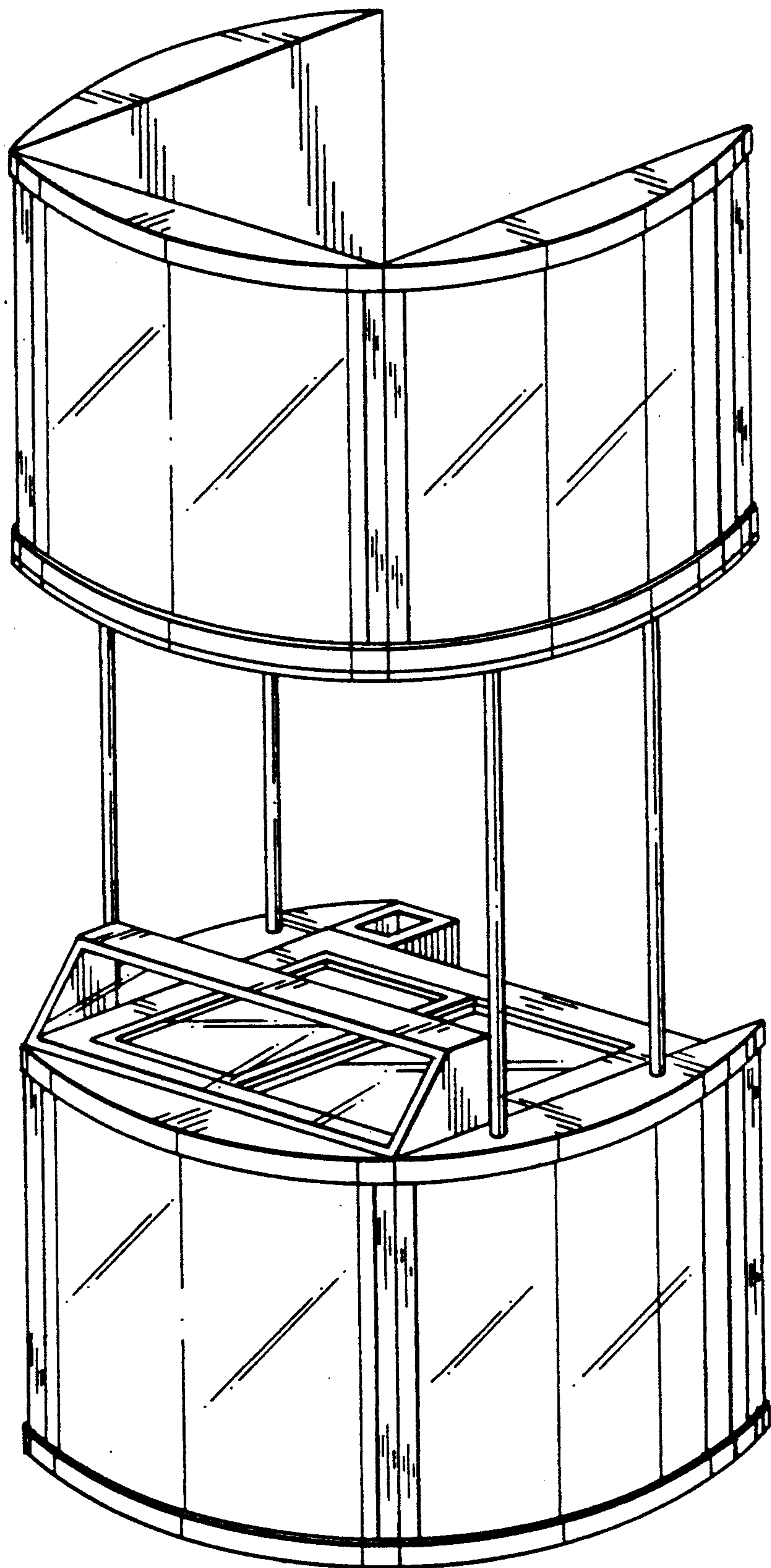


FIG. 1

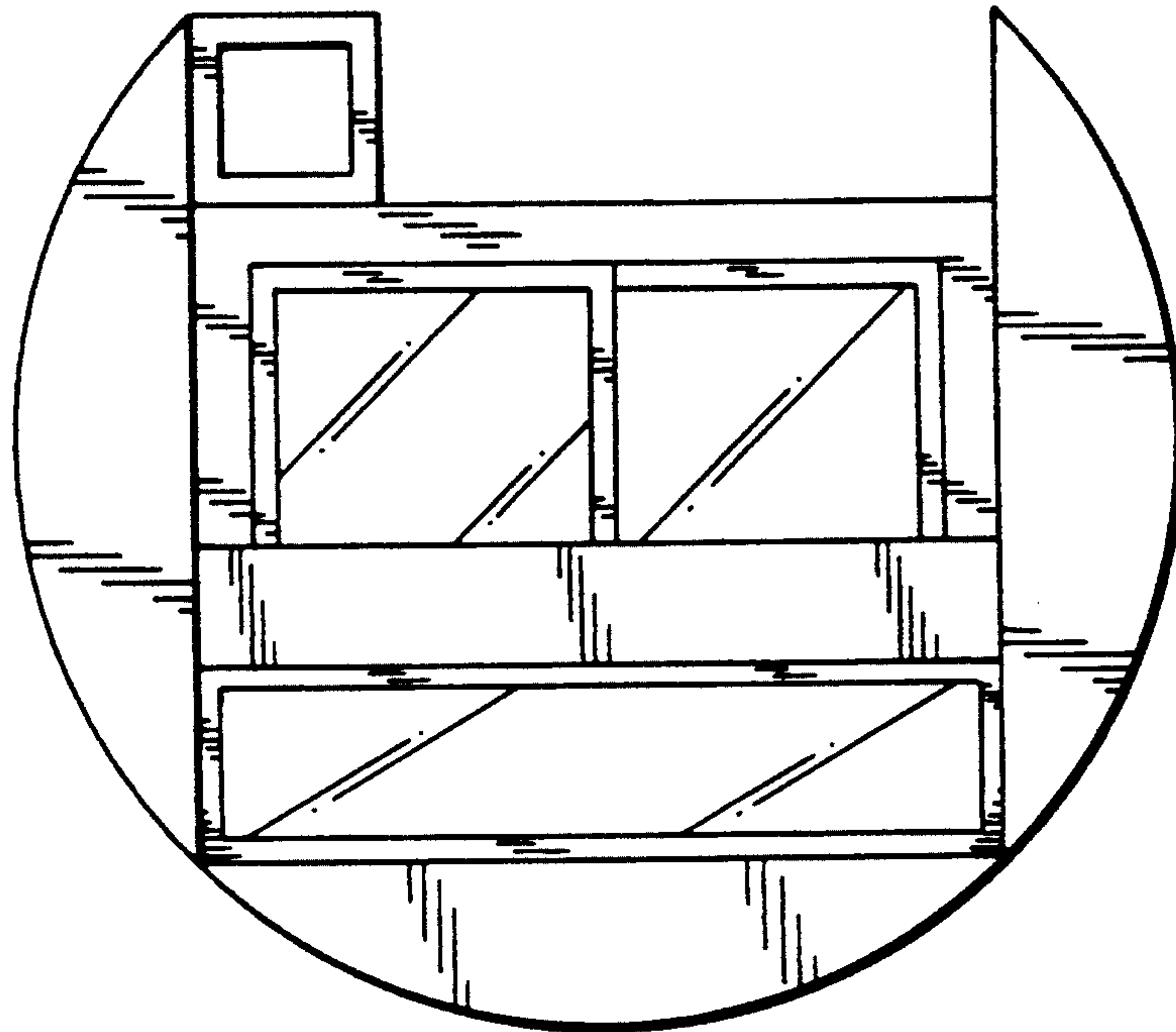


FIG. 2

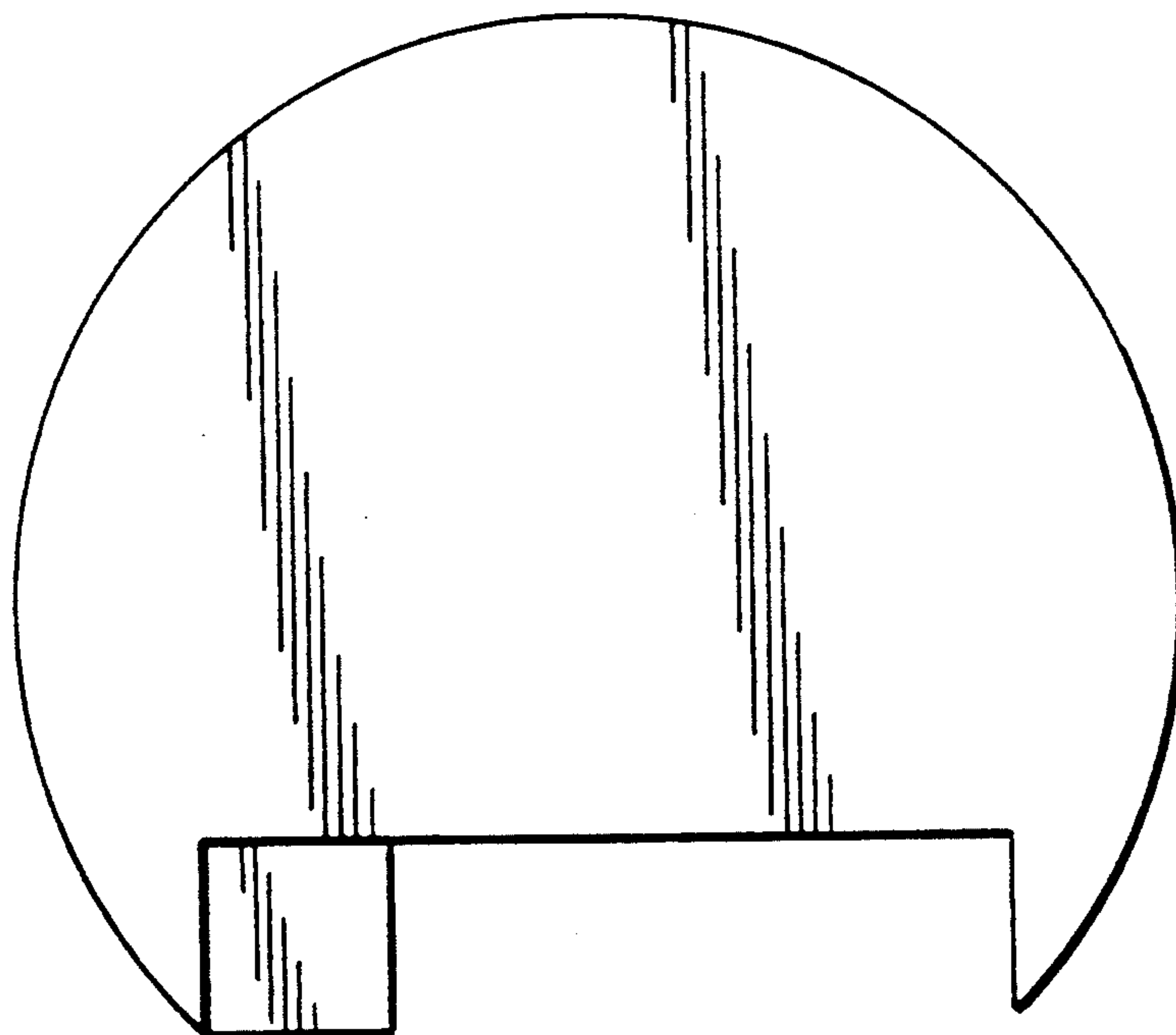


FIG. 3

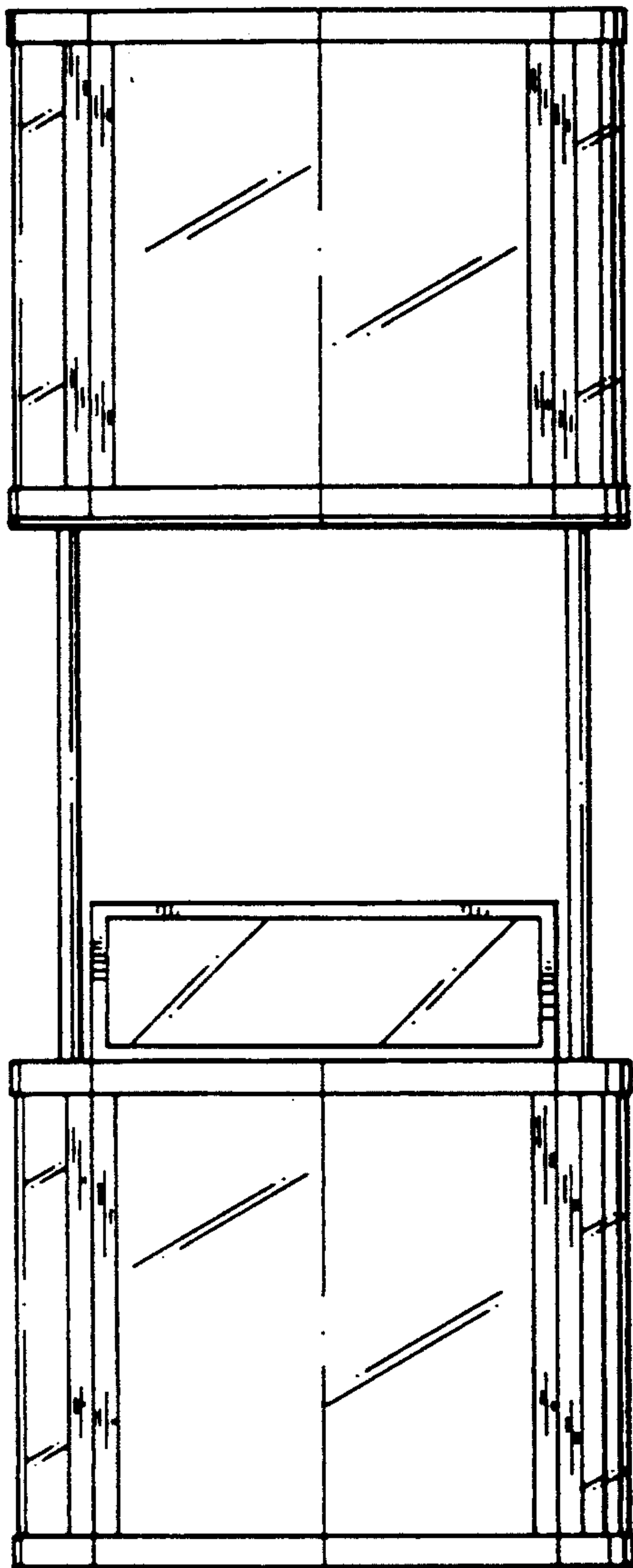


FIG. 4

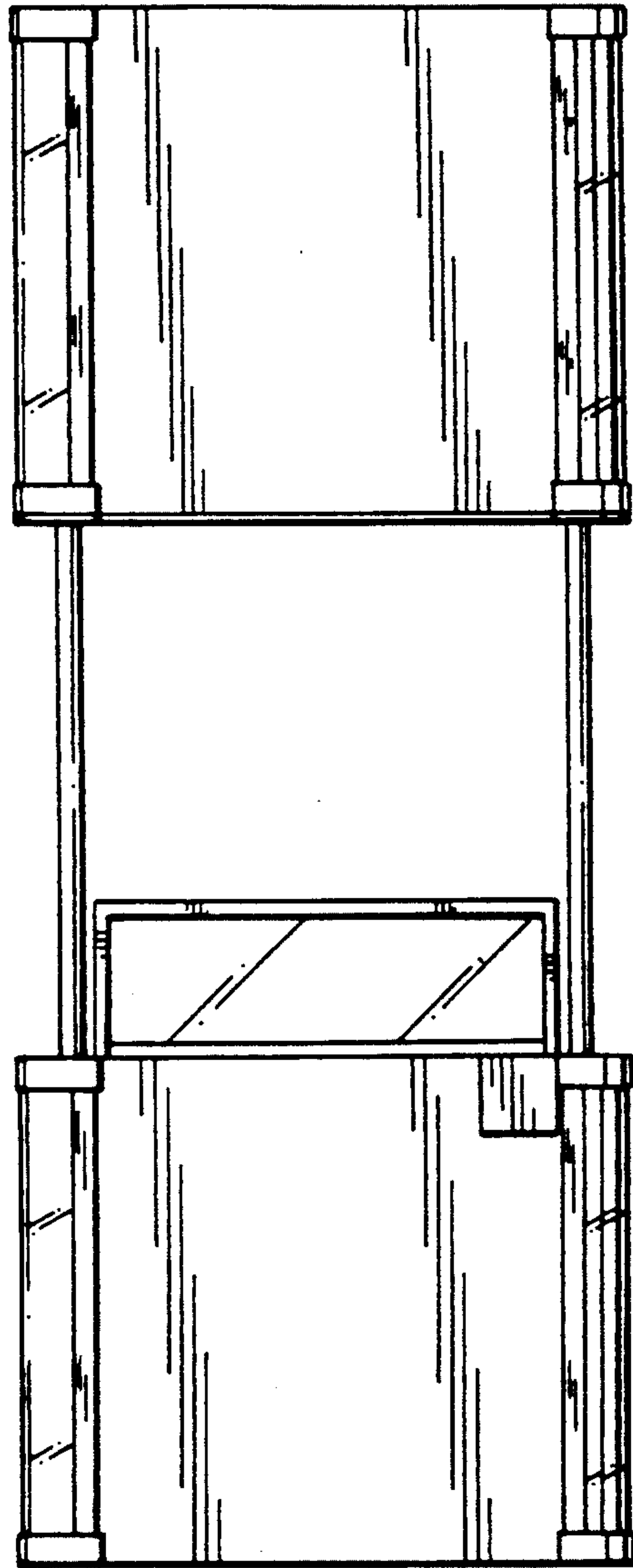


FIG. 5

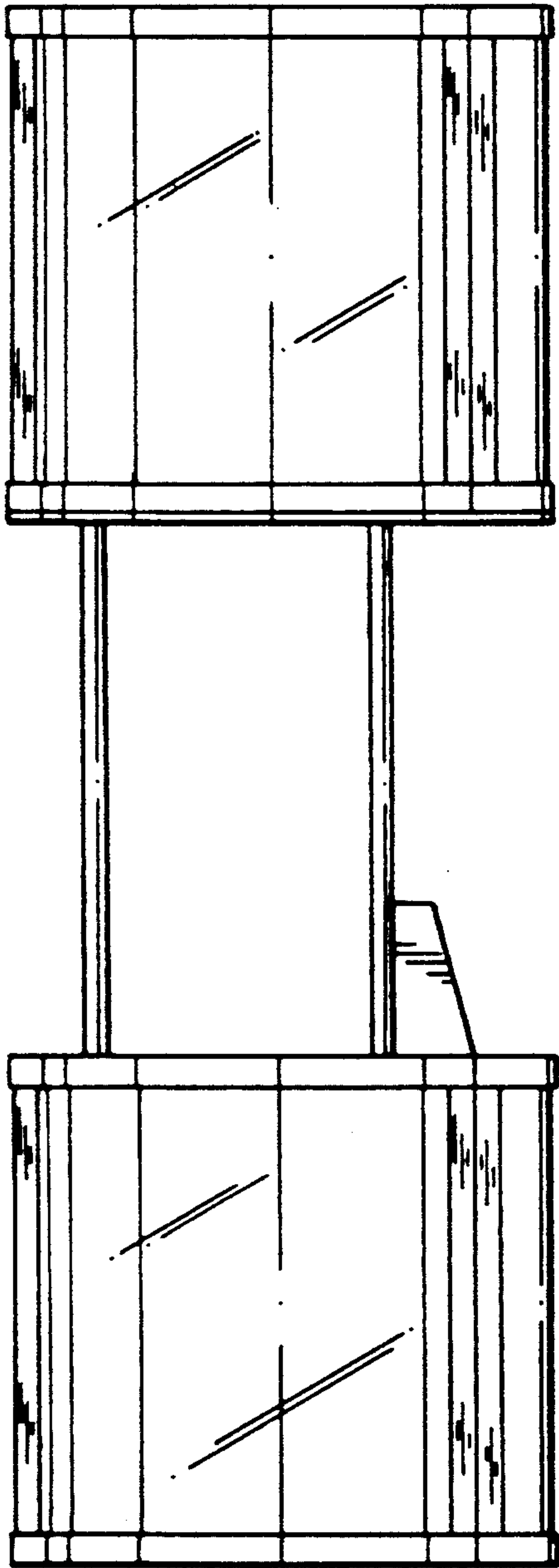


FIG. 6

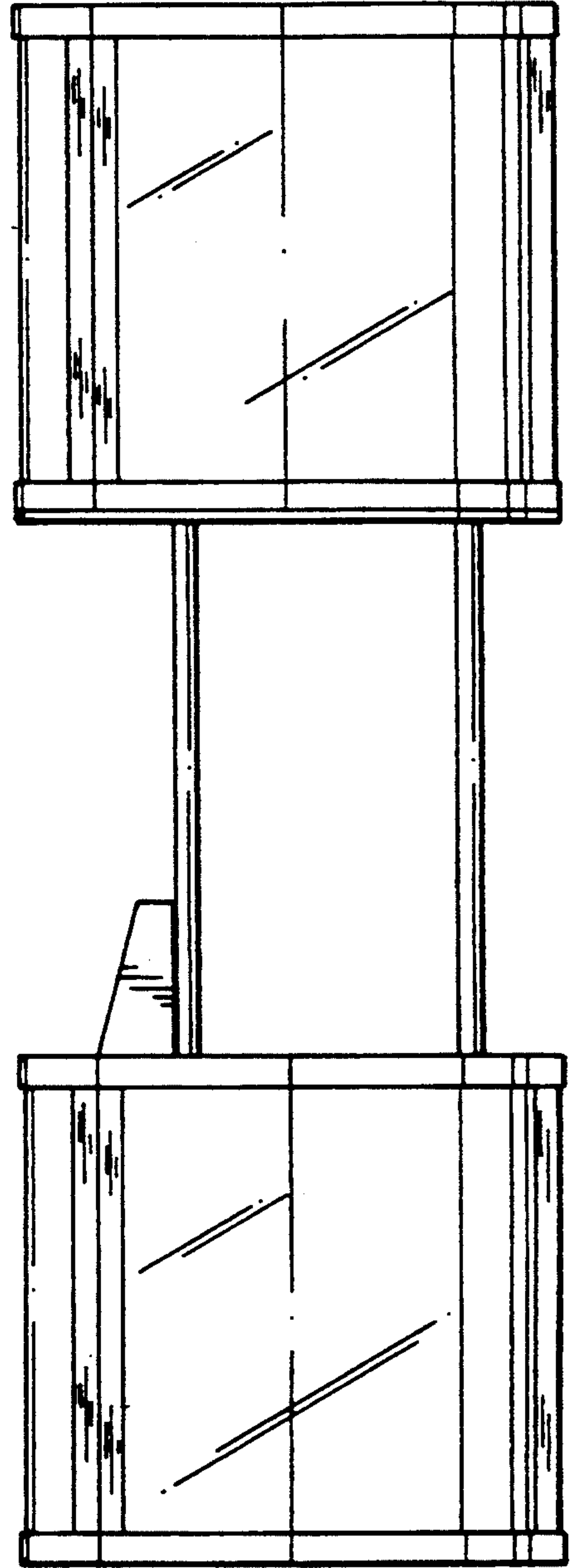


FIG. 7