



US00D346509S

United States Patent [19]

[11] Patent Number: **Des. 346,509**

Mezoe

[45] Date of Patent: **** May 3, 1994**

[54] **COMBINED PORTABLE DESK AND TRIPOD STAND**

[76] Inventor: **Lawrence J. Mezoe**, 3799 Coelebs Ave., Boynton Beach, Fla. 33436

[**] Term: **14 Years**

[21] Appl. No.: **793,667**

[22] Filed: **Nov. 18, 1991**

[52] U.S. Cl. **D6/397; D6/417**

[58] Field of Search **D6/419, 420, 417, 429-431, D6/396, 397; D3/76, 78; 248/464, 460; 312/194-196; D16/244**

[56] **References Cited**

U.S. PATENT DOCUMENTS

- D. 47,742 8/1915 Smith D6/431
- D. 146,167 1/1947 Bentzman D16/244
- D. 159,128 6/1950 Alpert D3/76

- D. 239,899 5/1976 Malcolm D6/419
- D. 256,522 8/1980 Peterson D3/76 X
- D. 282,320 1/1986 Anderson D6/429 X
- 2,463,655 3/1949 Temple, Jr. D16/244 X
- 4,017,049 4/1977 Albee, Jr. 248/464

Primary Examiner—Carmen H. Vales-Lado
Attorney, Agent, or Firm—S. Michael Bender

[57] **CLAIM**

The ornamental design for a combined portable desk and tripod stand, as shown and described.

DESCRIPTION

FIG. 1 is an exploded front elevational view of a combined portable desk and tripod stand showing my new design;

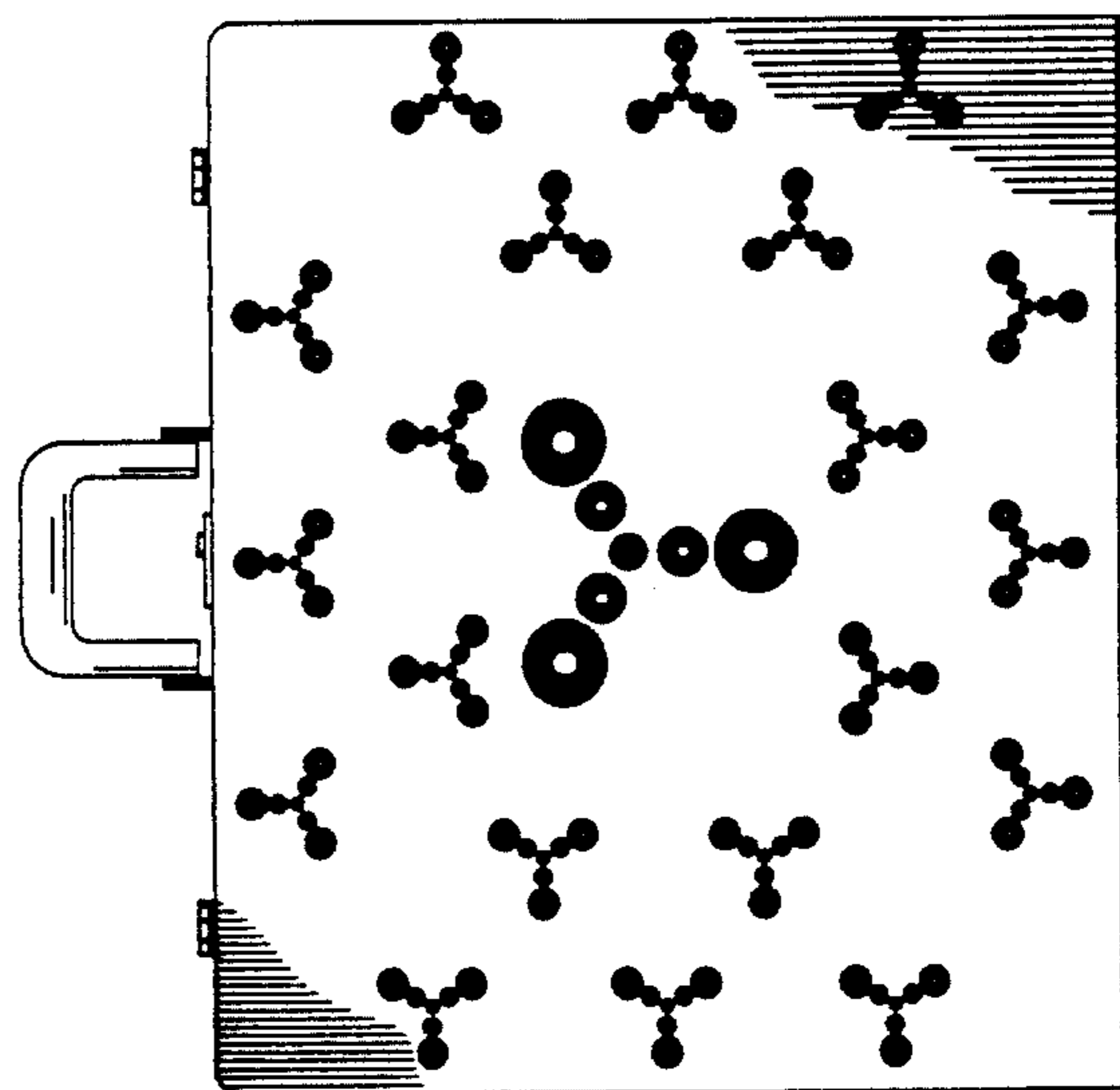
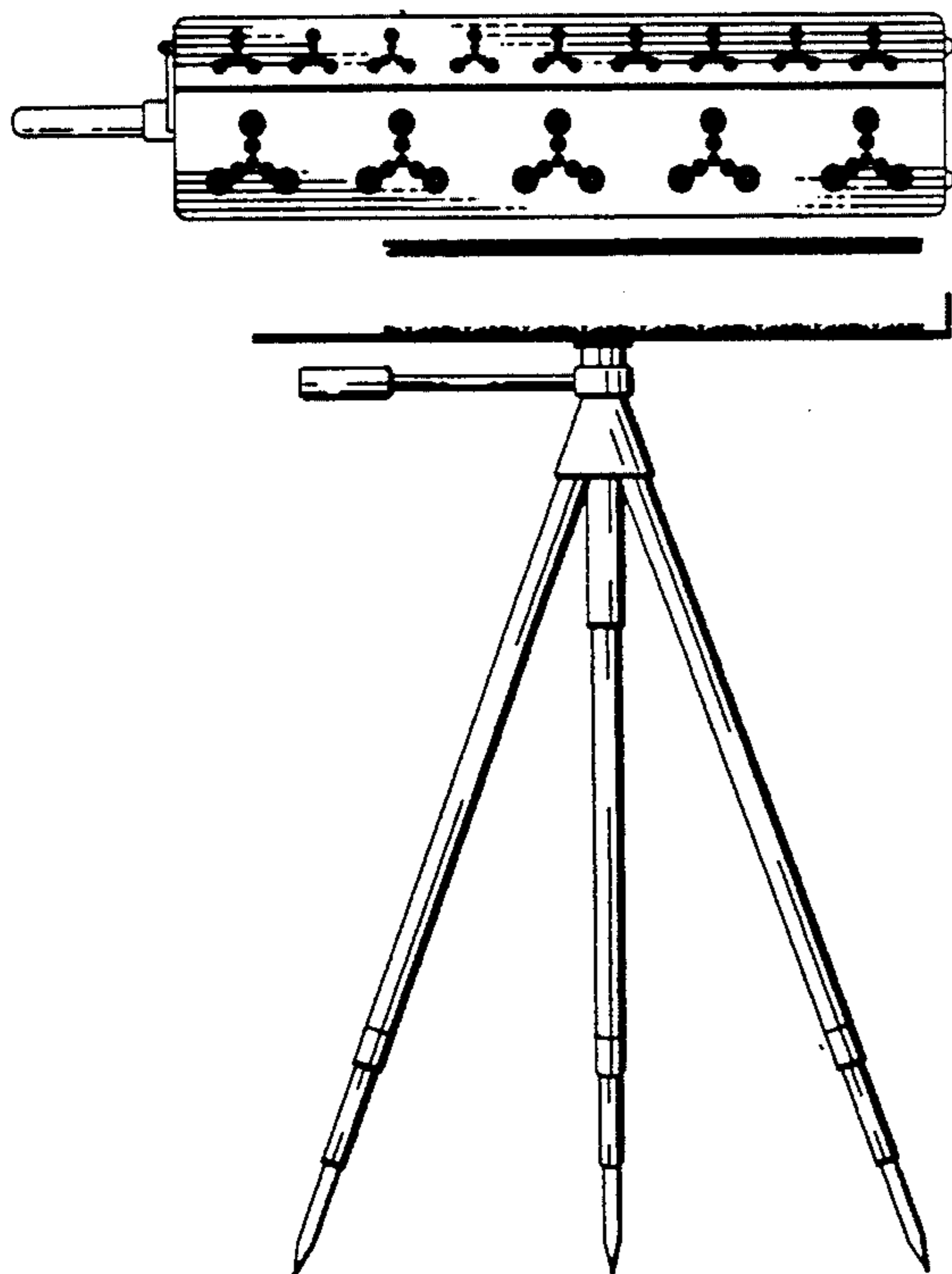
FIG. 2 is a rear elevational view thereof;

FIG. 3 is a left side elevational view thereof;

FIG. 4 is a right side elevational view thereof;

FIG. 5 is a top plan view thereof; and,

FIG. 6 is a bottom plan view thereof.



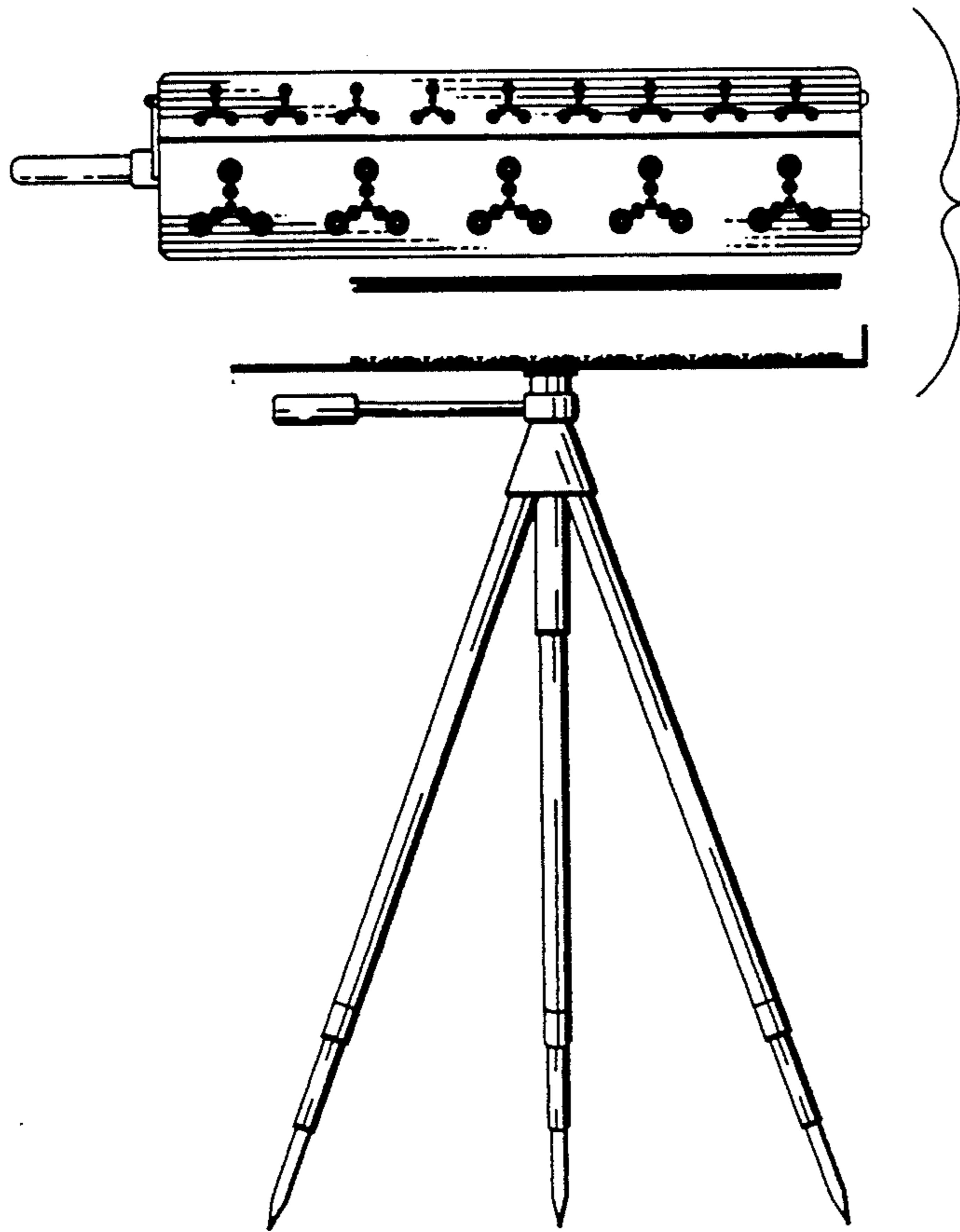
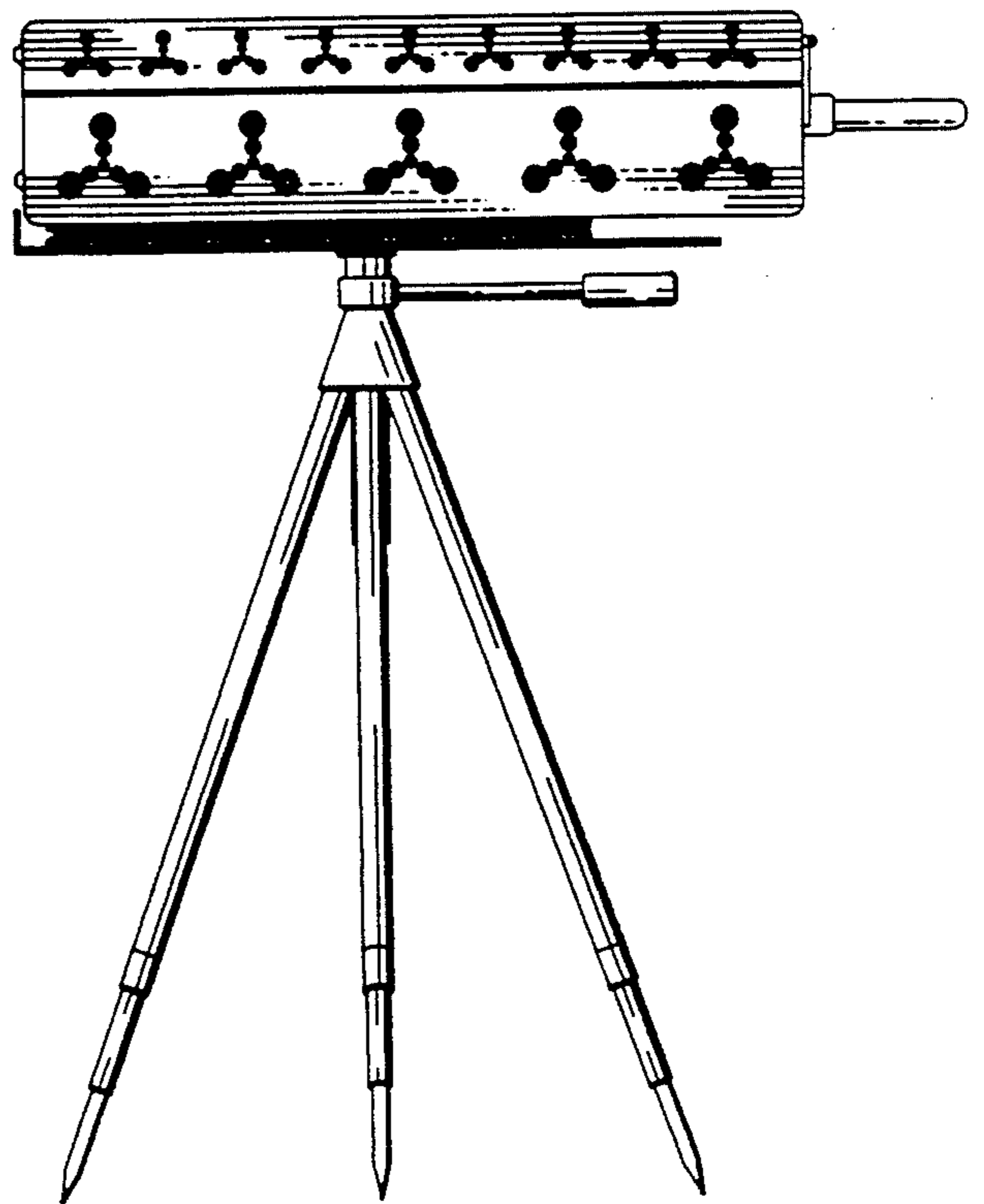


FIG. 1.

FIG. 2



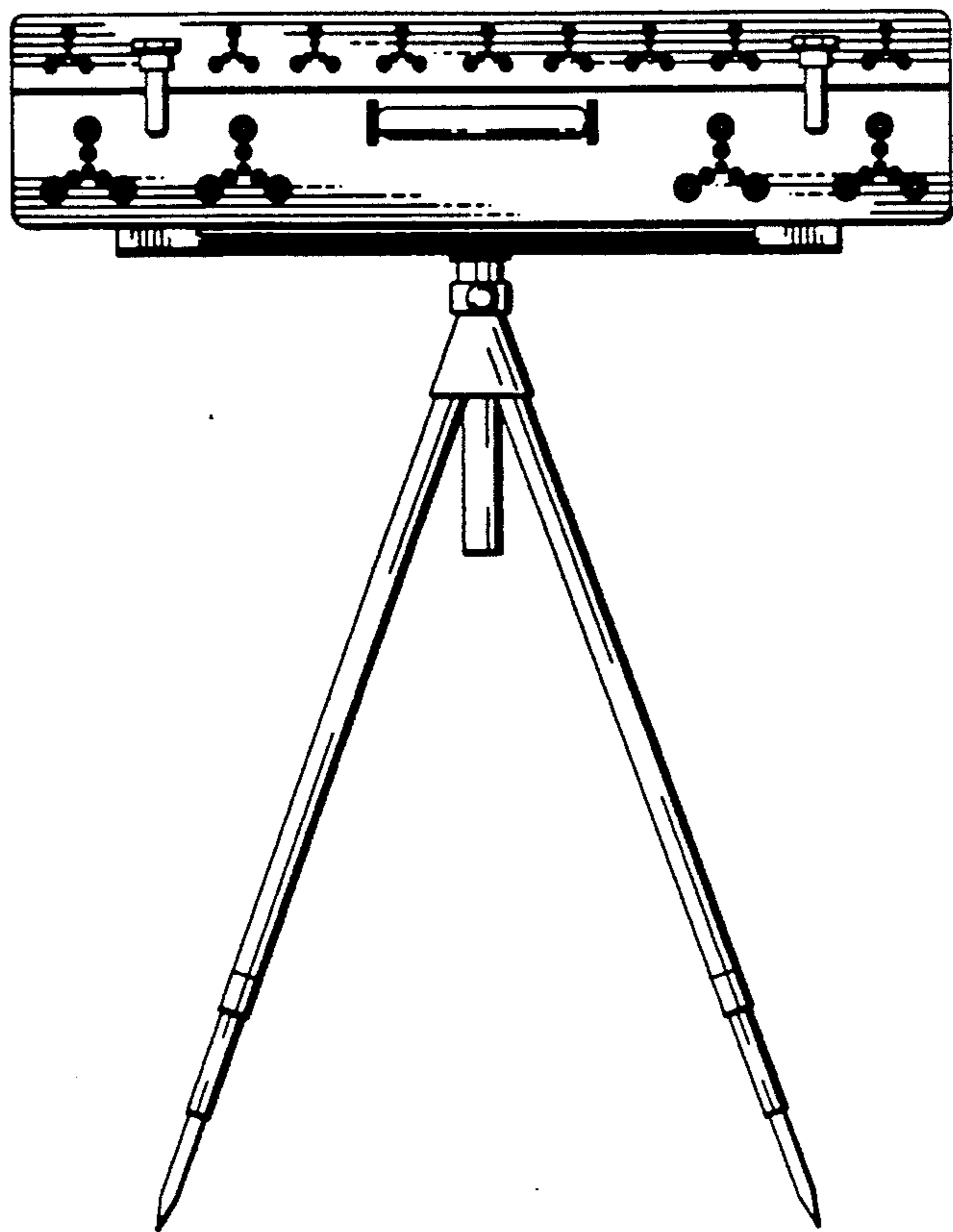


FIG. 3

FIG. 4

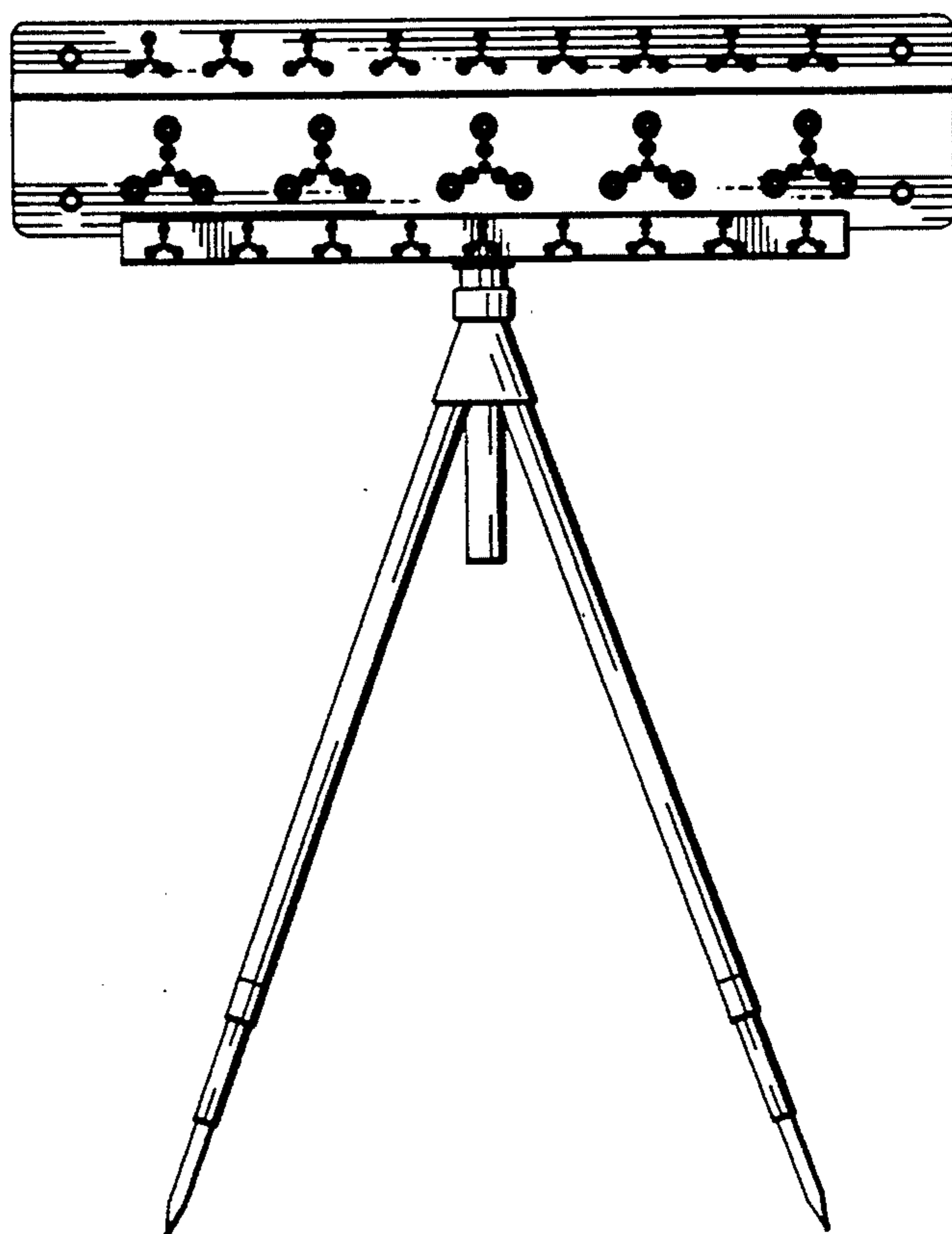


FIG. 5

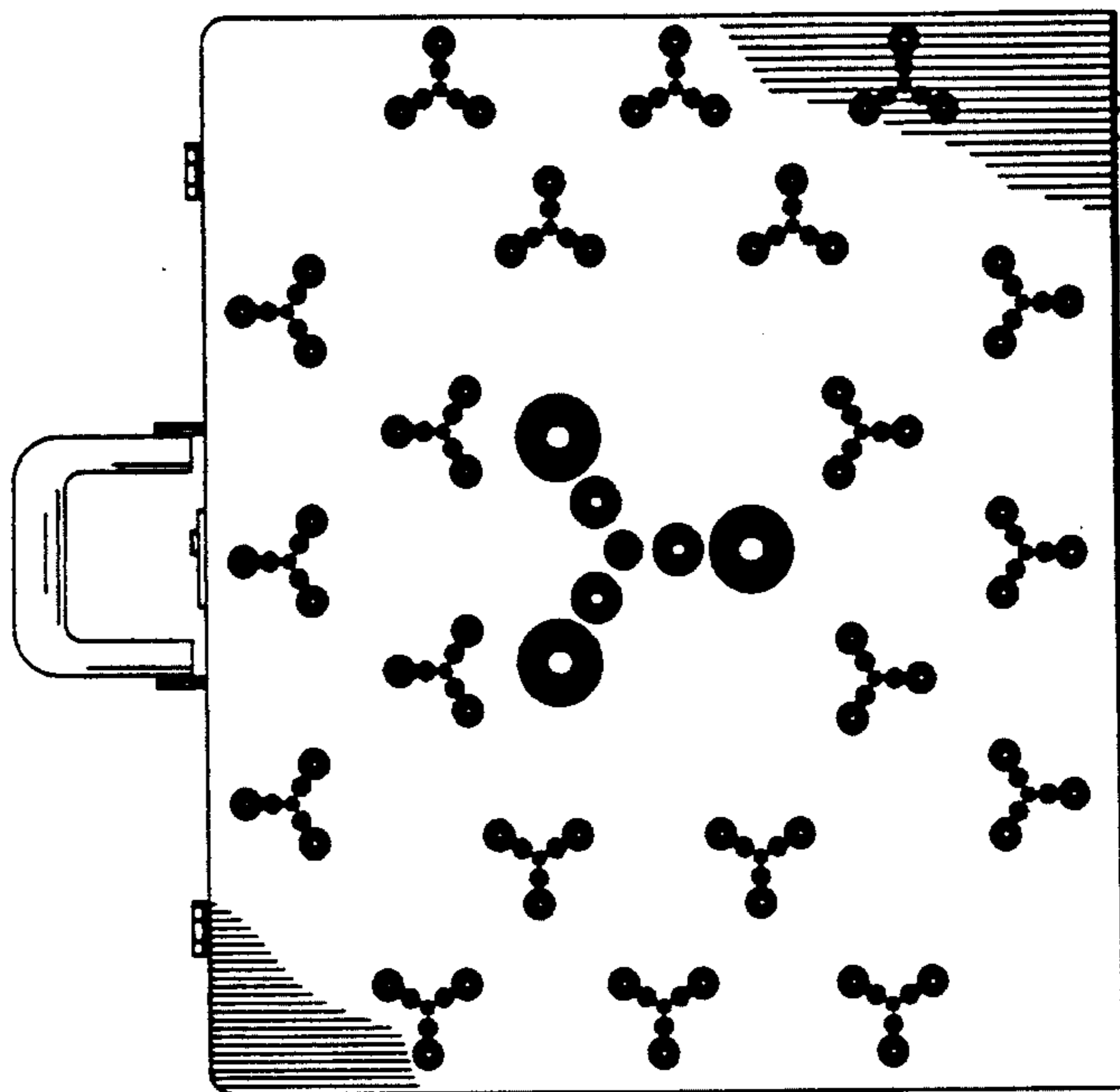


FIG. 6

