



US00D346508S

# United States Patent [19]

[11] Patent Number: **Des. 346,508**

Morgan

[45] Date of Patent: **\*\* May 3, 1994**

[54] **MIRROR FOR ATTACHMENT TO A DENTAL LAMP**

4,605,292 8/1986 McIntosh ..... 359/870  
4,890,908 1/1990 Casey ..... 248/476 X

[75] Inventor: **David J. Morgan, Hillsboro, Oreg.**

*Primary Examiner*—Wallace R. Burke

*Assistant Examiner*—M. H. Tung

[73] Assignee: **Northwest Dental, Inc., Hillsboro, Oreg.**

*Attorney, Agent, or Firm*—Chernoff, Vilhauer, McClung & Stenzel

[\*\*] Term: **14 Years**

[57] **CLAIM**

[21] Appl. No.: **920,047**

The ornamental design for a mirror for attachment to a dental lamp, as shown and described.

[22] Filed: **Jul. 27, 1992**

**DESCRIPTION**

[52] U.S. Cl. .... **D6/308**

[58] Field of Search ..... D6/300, 308, 312;  
433/30, 31; 359/838, 870-872; 248/476, 479,  
486, 489, 495; D24/176-182

FIG. 1 is a top, right perspective view of a mirror for attachment to a dental lamp showing my new design, the broken line drawing of a dental lamp arm is for illustrative purposes only and forms no part of the claimed design;

FIG. 2 is a front elevational view thereof;

FIG. 3 is a rear elevational view thereof;

FIG. 4 is a top plan view thereof;

FIG. 5 is a bottom plan view thereof;

FIG. 6 is an elevational view of the right side thereof; and,

FIG. 7 is an elevational view of the left side thereof.

[56] **References Cited**

**U.S. PATENT DOCUMENTS**

D. 292,044	9/1987	Billiet .....	D6/300
D. 312,262	11/1990	Allon .....	D6/308 X
D. 332,354	1/1993	Fitzgibbon .....	D6/300
4,412,821	11/1983	Sturdivant .....	433/30
4,529,278	7/1985	Nugent .....	359/870

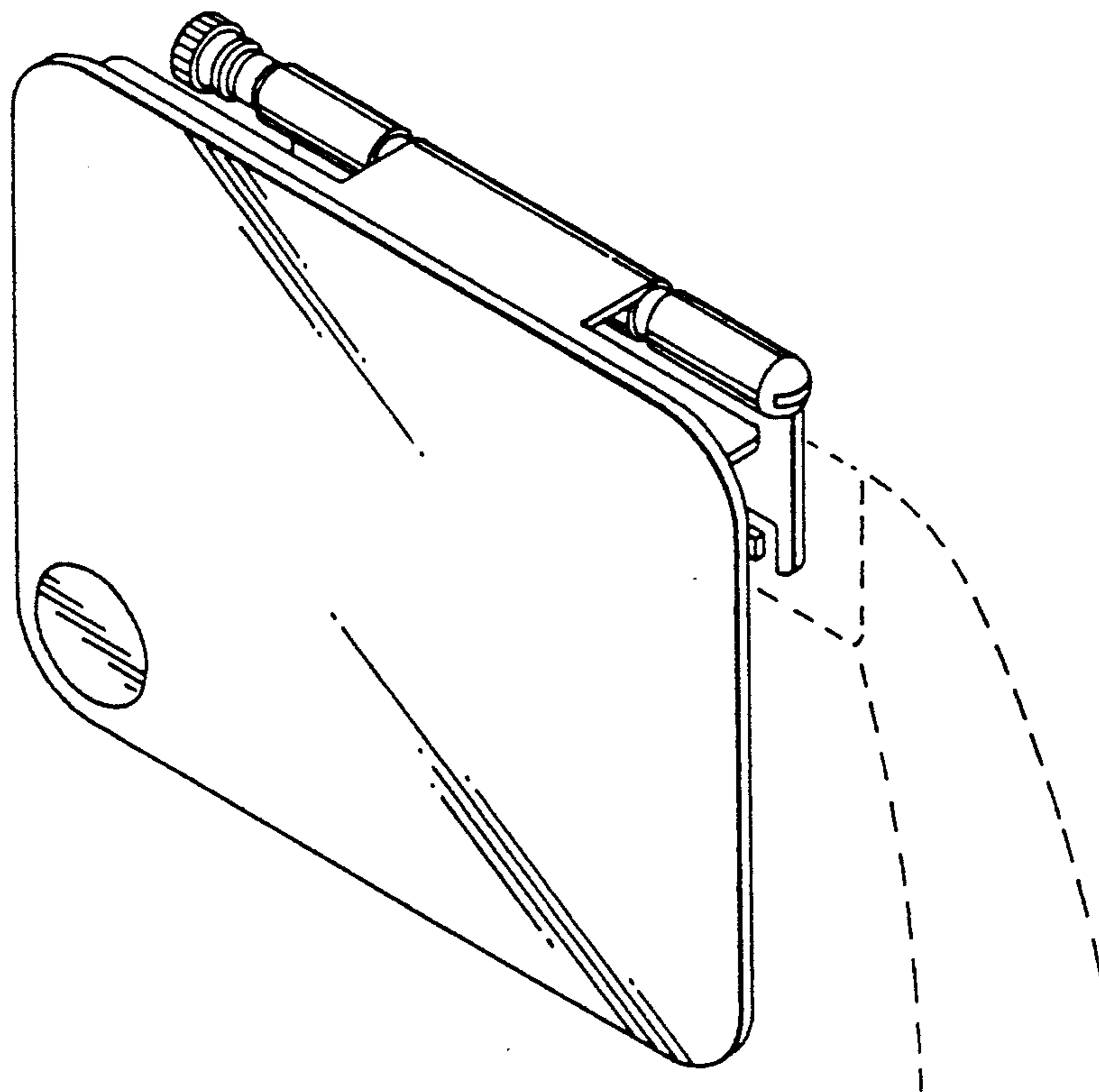


Fig. 1

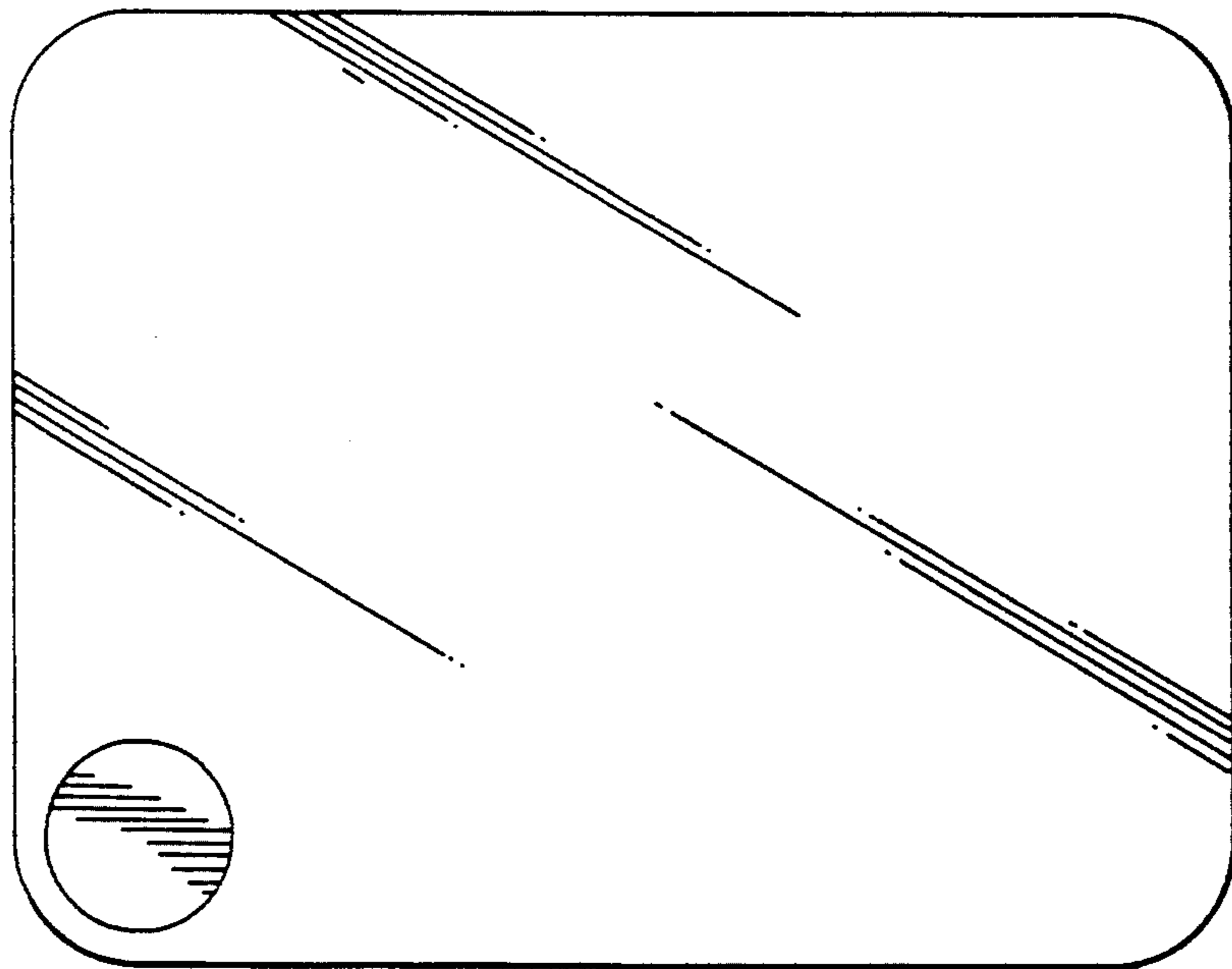
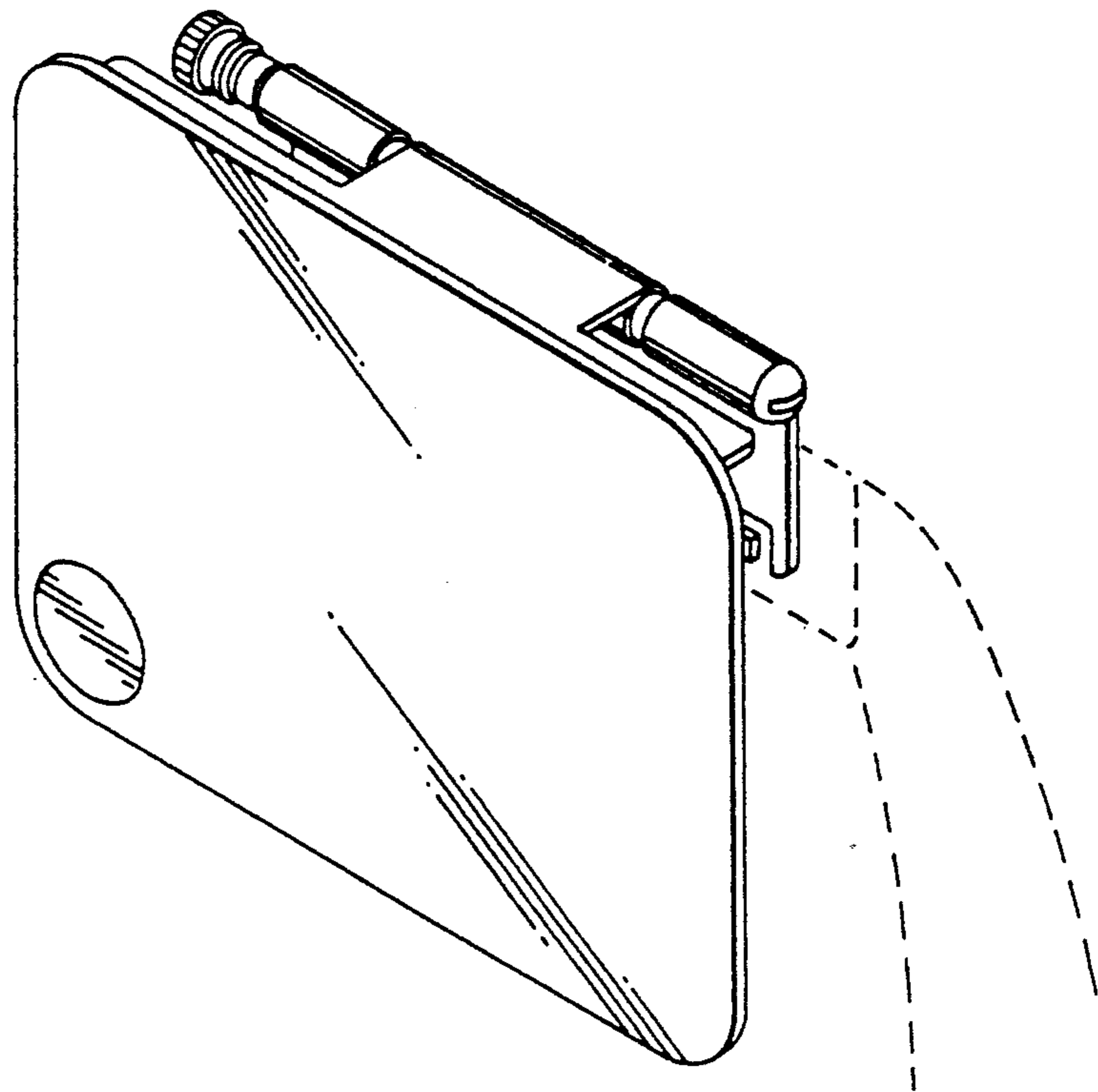


Fig. 2

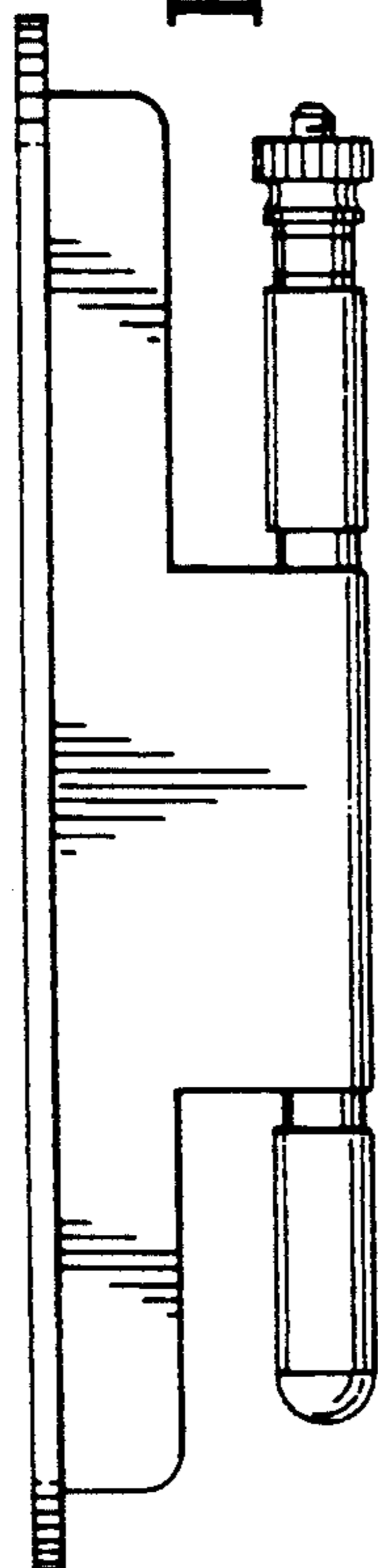


Fig. 4

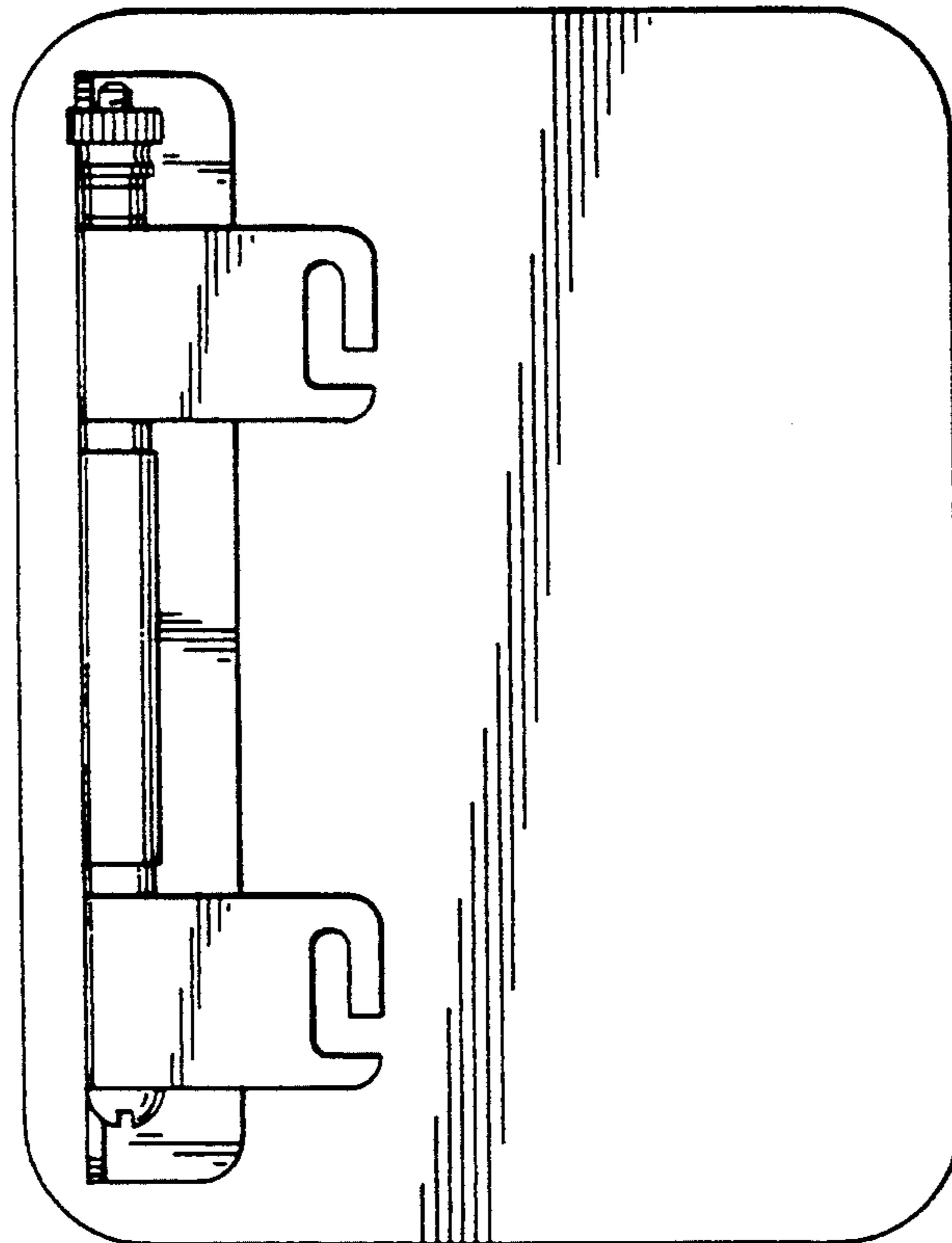


Fig. 3

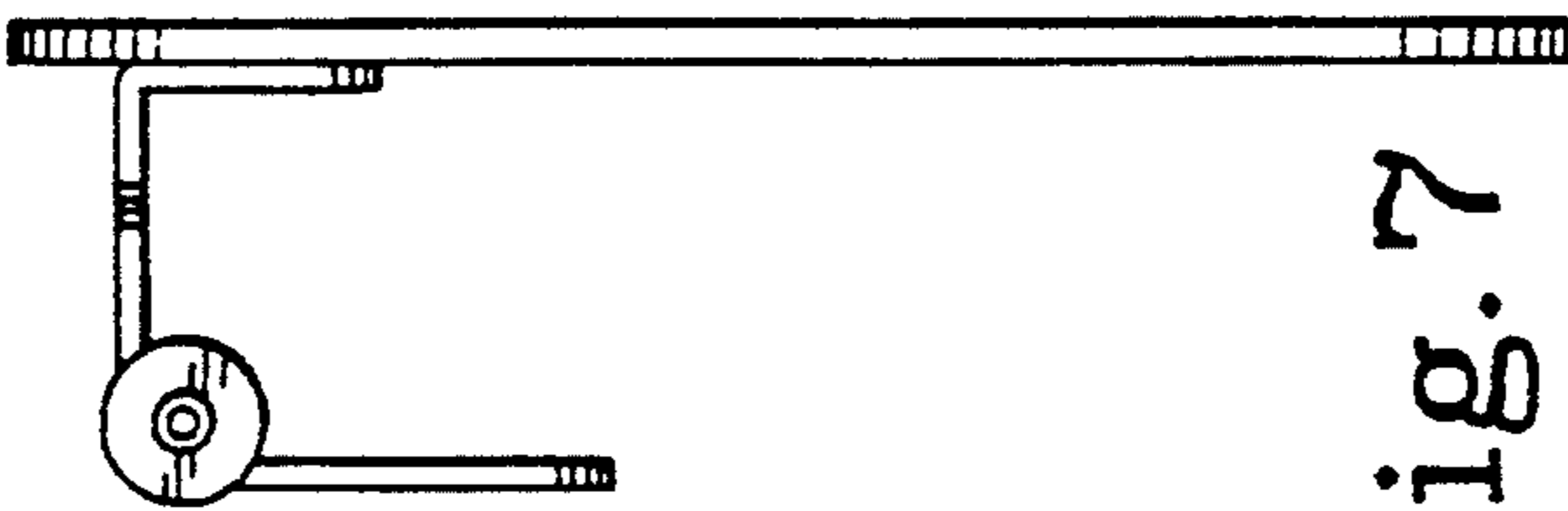


Fig. 7

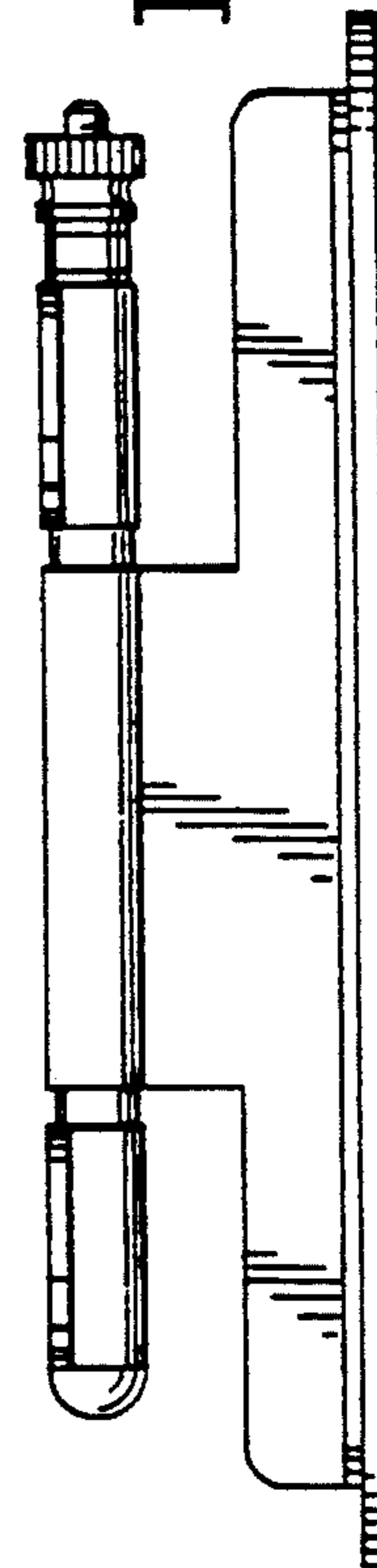


Fig. 5

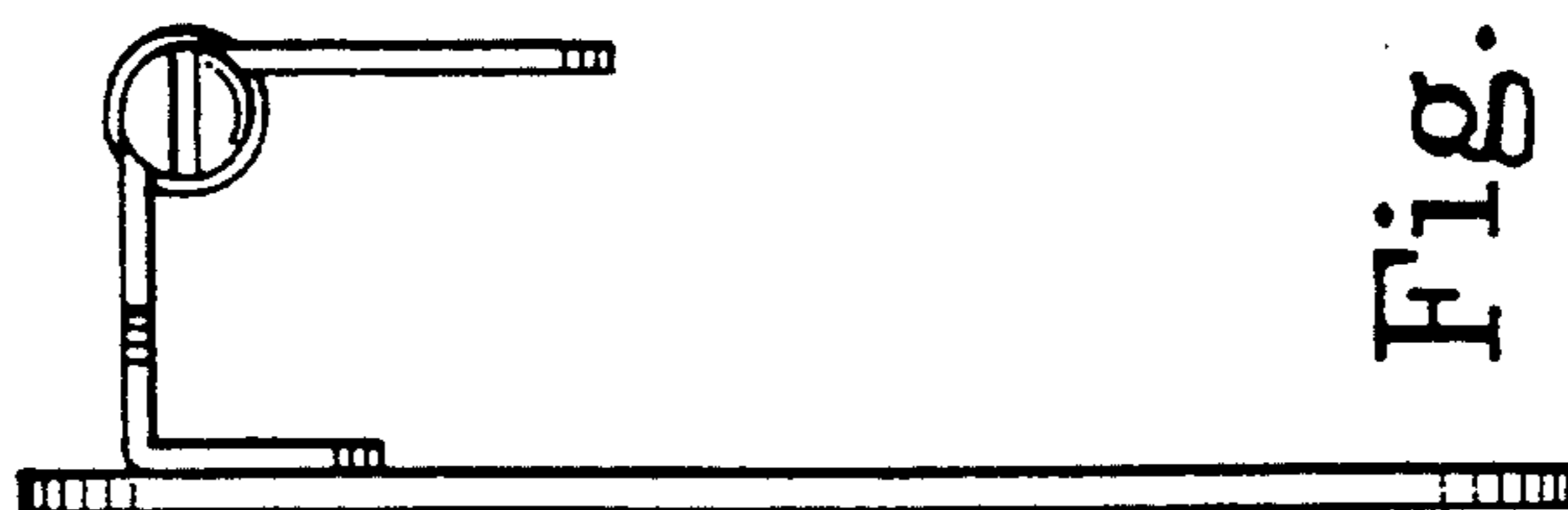


Fig. 6