



US00D346498S

United States Patent [19]

[11] Patent Number: **Des. 346,498**

Gertsma

[45] Date of Patent: **** May 3, 1994**

[54] BRUSH HANDLE

[75] Inventor: **Kathy Gertsma, Sausalito, Calif.**

[73] Assignee: **West Coast Beauty Supply Co., San Francisco, Calif.**

[**] Term: **14 Years**

[21] Appl. No.: **747,538**

[22] Filed: **Aug. 16, 1991**

[52] U.S. Cl. **D4/138**

[58] Field of Search **D4/132-134, D4/136-138; D7/361; D8 DIG. 4, DIG. 7-DIG. 8; 15/105, 143.1, 159.1, 160; 16/110 R, 110 A, 114 R, 114 A**

[56] References Cited

U.S. PATENT DOCUMENTS

3,673,685 7/1972 Eppolito 15/105 X

OTHER PUBLICATIONS

Fuller Brush Catalog, Inc. ©1988 Brush Handles-Item Nos. 10061A & 10059A, p. 8.

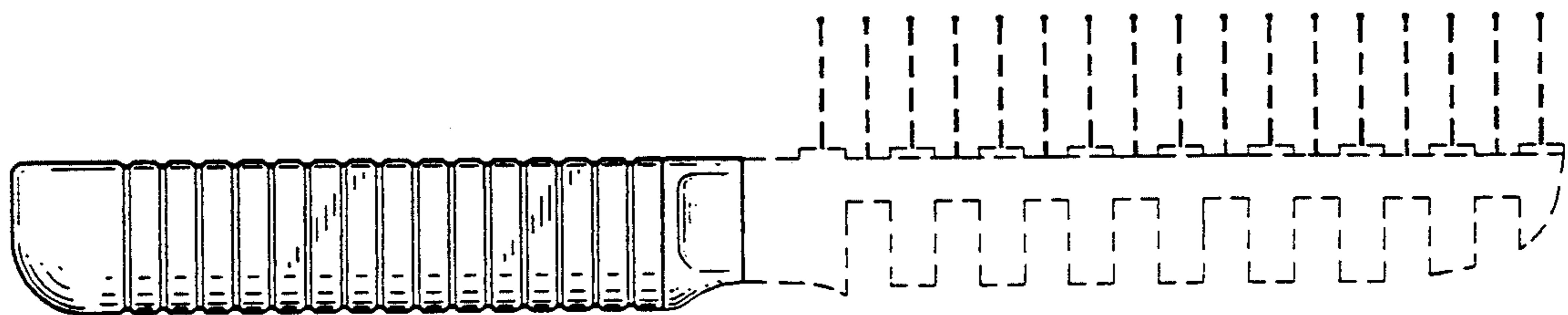
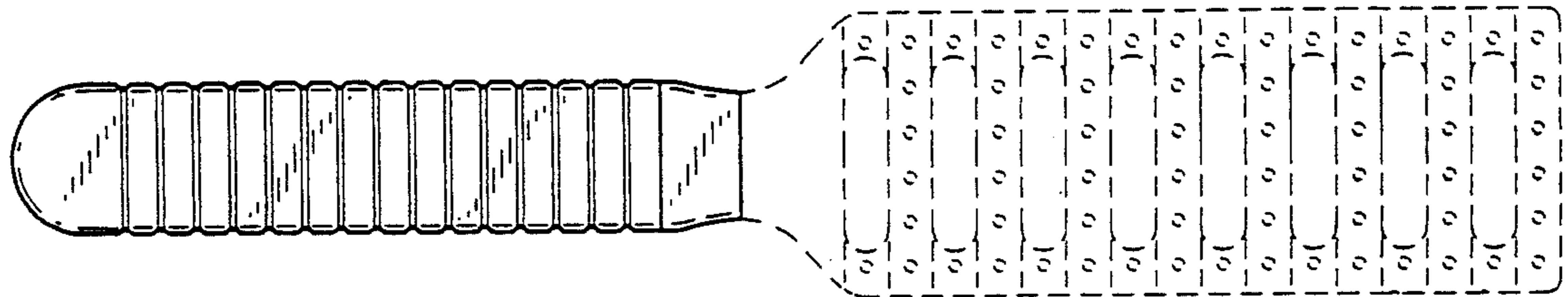
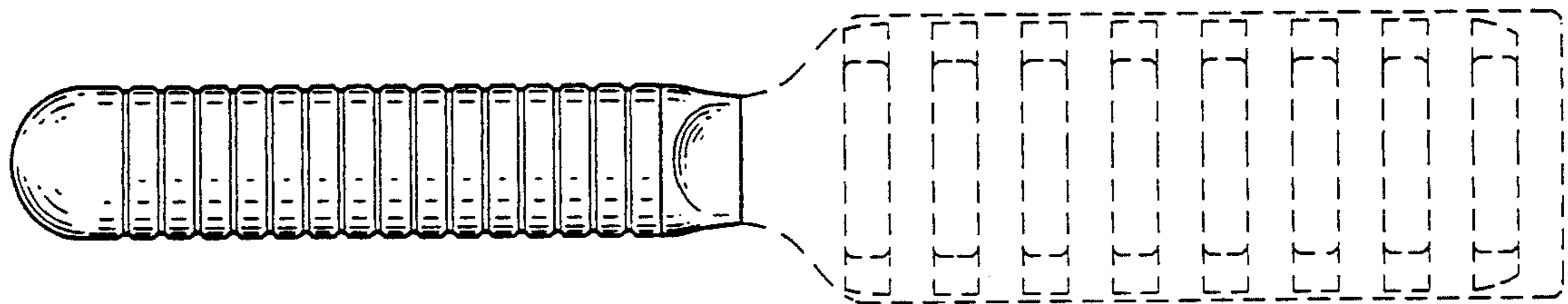
Primary Examiner—Wallace R. Burke
Assistant Examiner—Lavone D. Tabor
Attorney, Agent, or Firm—Joseph L. Strabala

[57] CLAIM

The ornamental design for a brush handle, as shown and described.

DESCRIPTION

FIG. 1 is a bottom plan of the brush handle showing my new design with the brush head shown in phantom; FIG. 2 is an end elevation thereof; FIG. 3 is an end elevation of the opposite end; FIG. 4 is a top plan thereof opposite to the bottom plan shown in FIG. 1; and, FIG. 5 is a side elevation of the handle which is identical on the left and right sides of the handle. The broken line showing of a brush head is for illustrative purposes only and forms no part of the claimed design.



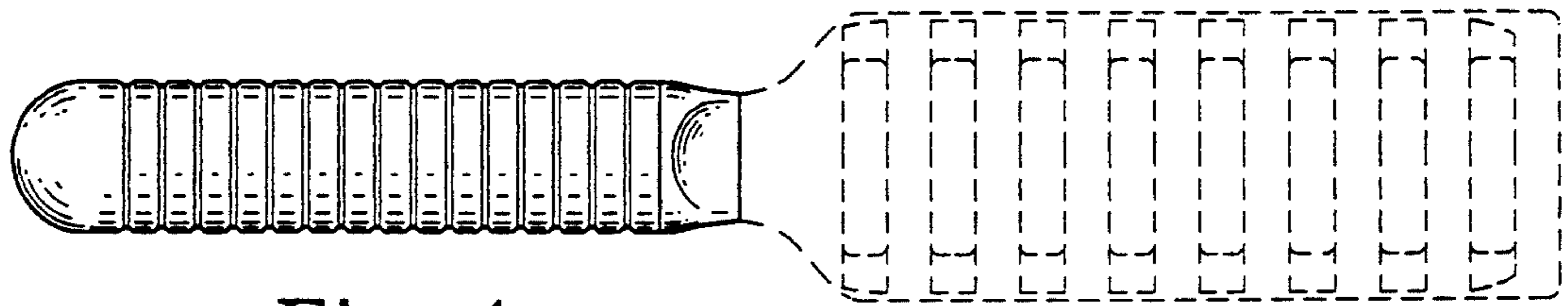


Fig 1

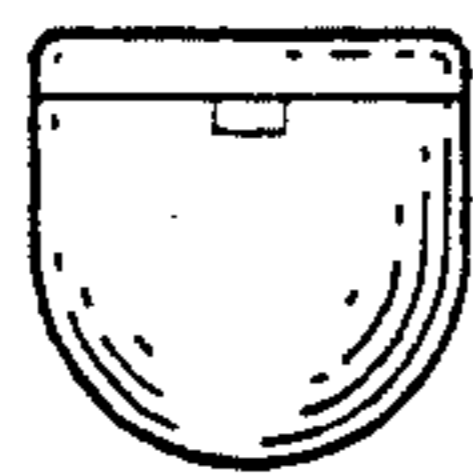


Fig 2

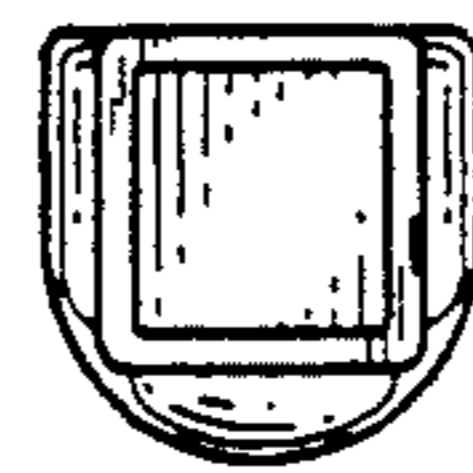


Fig 3

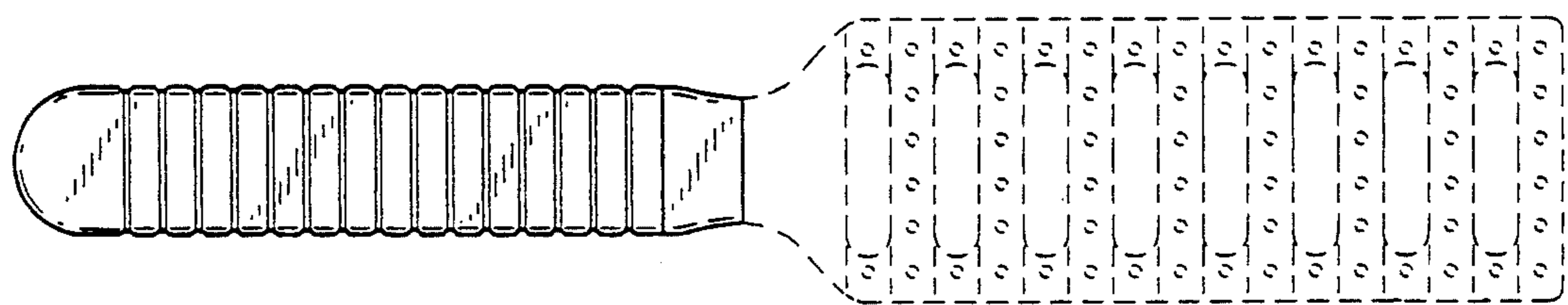


Fig 4

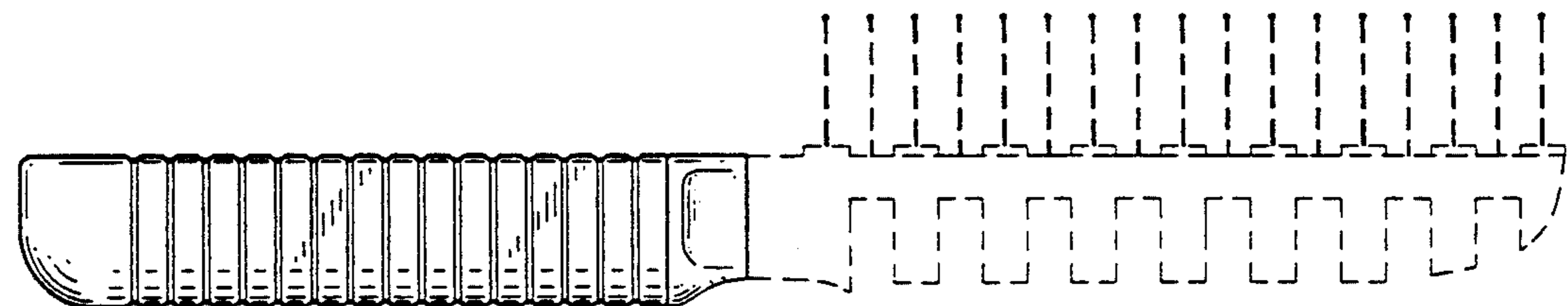


Fig 5