



US00D346497S

United States Patent [19]

Huang

[11] Patent Number: **Des. 346,497**

[45] Date of Patent: **** May 3, 1994**

- [54] **COMBINED BRUSH AND ROLLER FOR APPLYING WALL PAPER**
- [76] Inventor: **Ming-Tsung Huang, c/o Hung Hsing Patent Service Center, P.O. Box 55-1670, Taipei (10477), Taiwan**
- [**] Term: **14 Years**
- [21] Appl. No.: **783,095**
- [22] Filed: **Oct. 28, 1991**
- [52] U.S. Cl. **D4/116; D4/122**
- [58] Field of Search **D4/116, 120, 122, 130, D4/132, 135, 138; 15/105-106, 114, 143.1, 145, 159.1, 160, 230.11**

- [56] **References Cited**
- U.S. PATENT DOCUMENTS**
- D. 26,215 10/1896 Keefe D4/120
- 2,684,497 7/1954 Graham 15/145
- 4,100,642 7/1978 Gabor 15/114

5,176,754 1/1993 Hirzel 15/114 X

FOREIGN PATENT DOCUMENTS

83966 9/1964 France 15/159.1

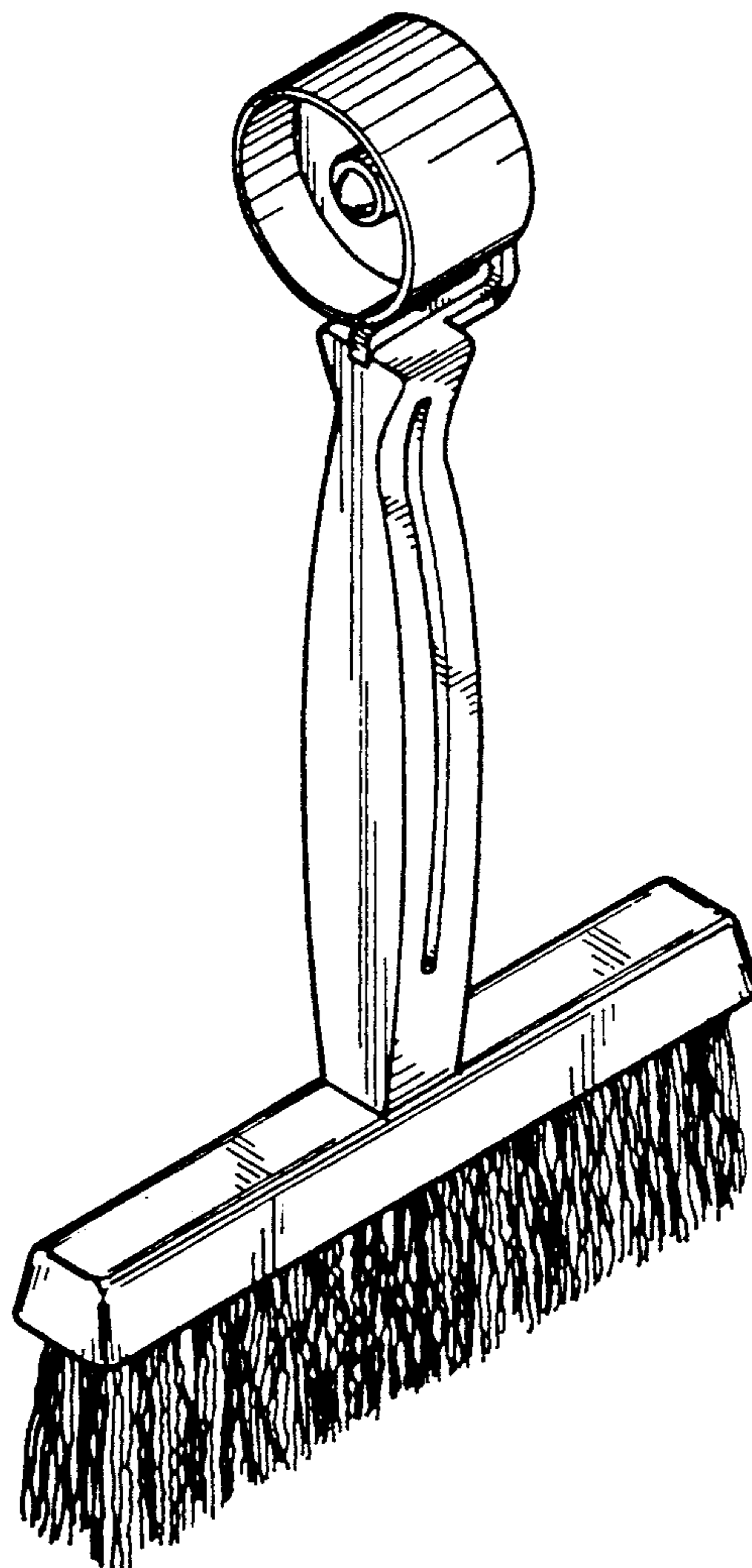
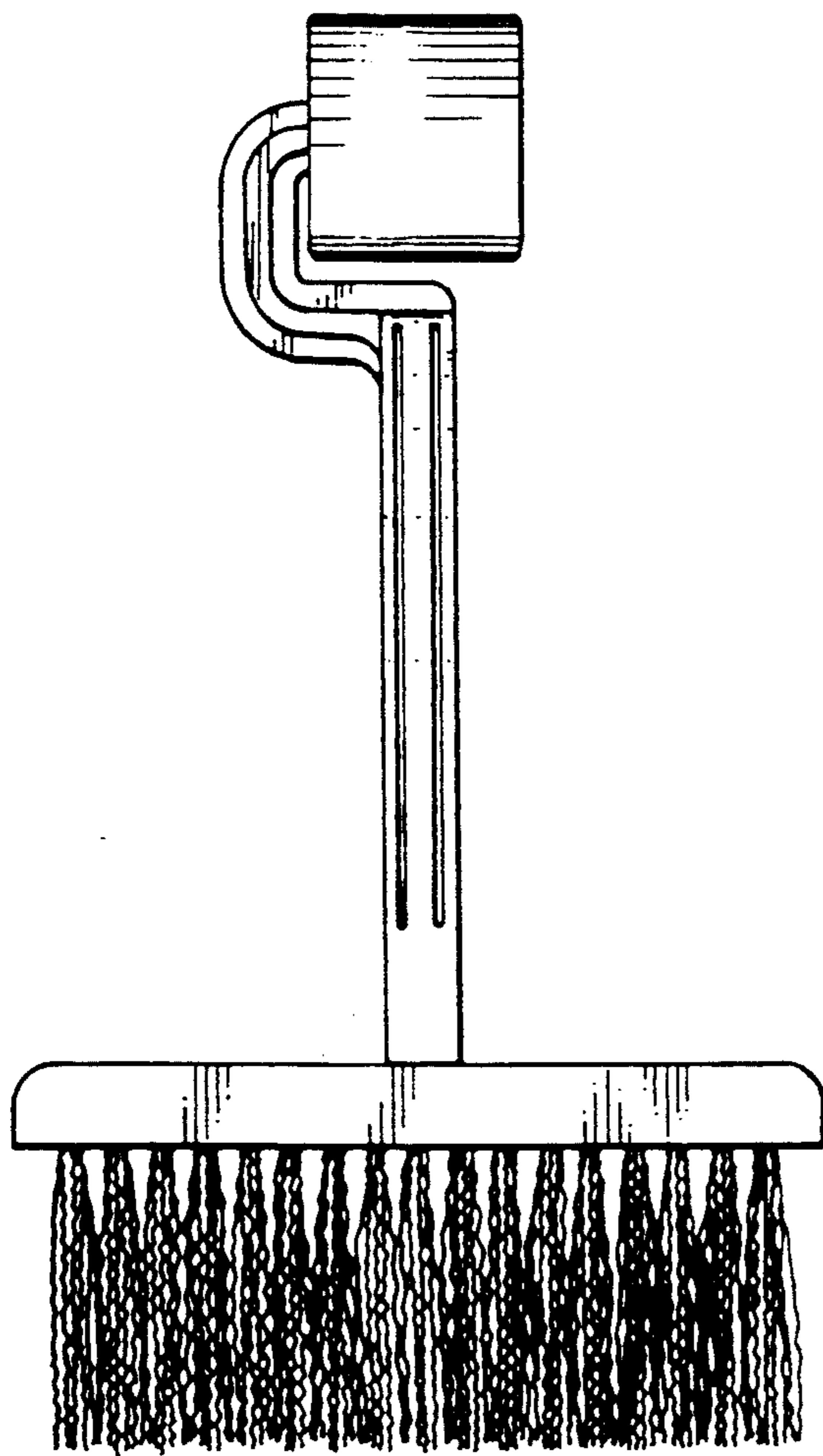
Primary Examiner—Wallace R. Burke
Assistant Examiner—Lavone D. Tabor

[57] CLAIM

The ornamental design for a combined brush and roller for applying wall paper, as shown and described.

DESCRIPTION

FIG. 1 is a front elevational view of a combined brush and roller for applying wall paper showing my new design;
 FIG. 2 is a rear elevational view;
 FIG. 3 is a right side elevational view;
 FIG. 4 is a left side elevational view;
 FIG. 5 is a top plan view;
 FIG. 6 is a bottom plan view; and,
 FIG. 7 is a perspective view of my new design.



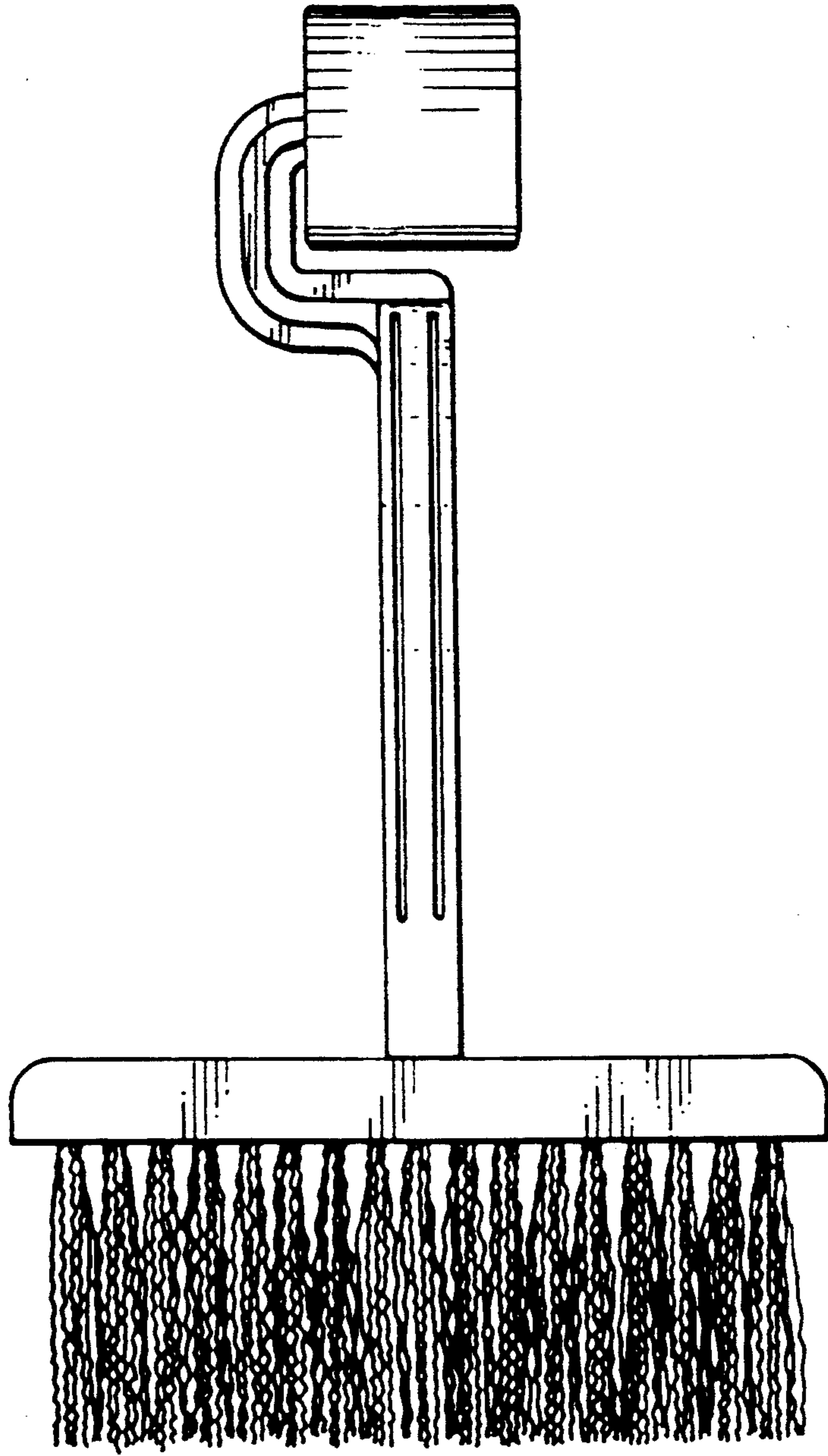


FIG. 1

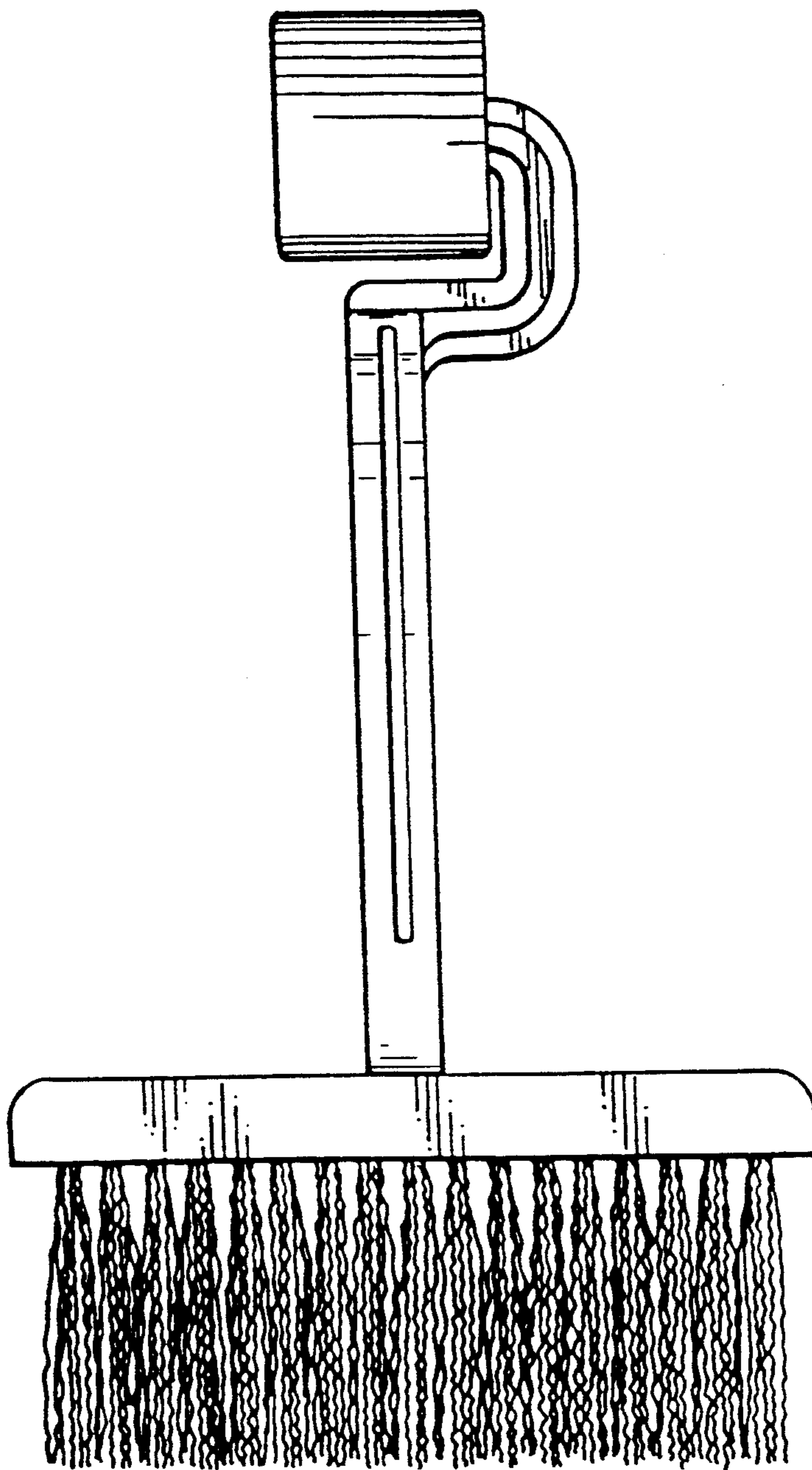


FIG. 2

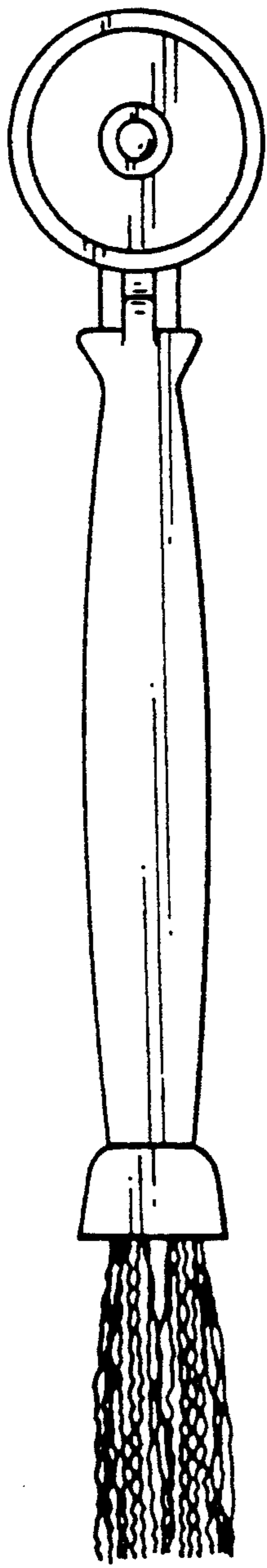


FIG. 3

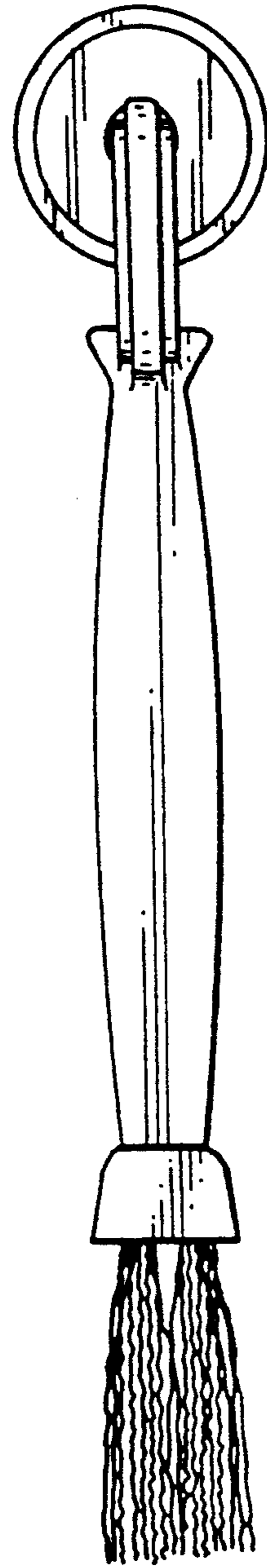


FIG. 4

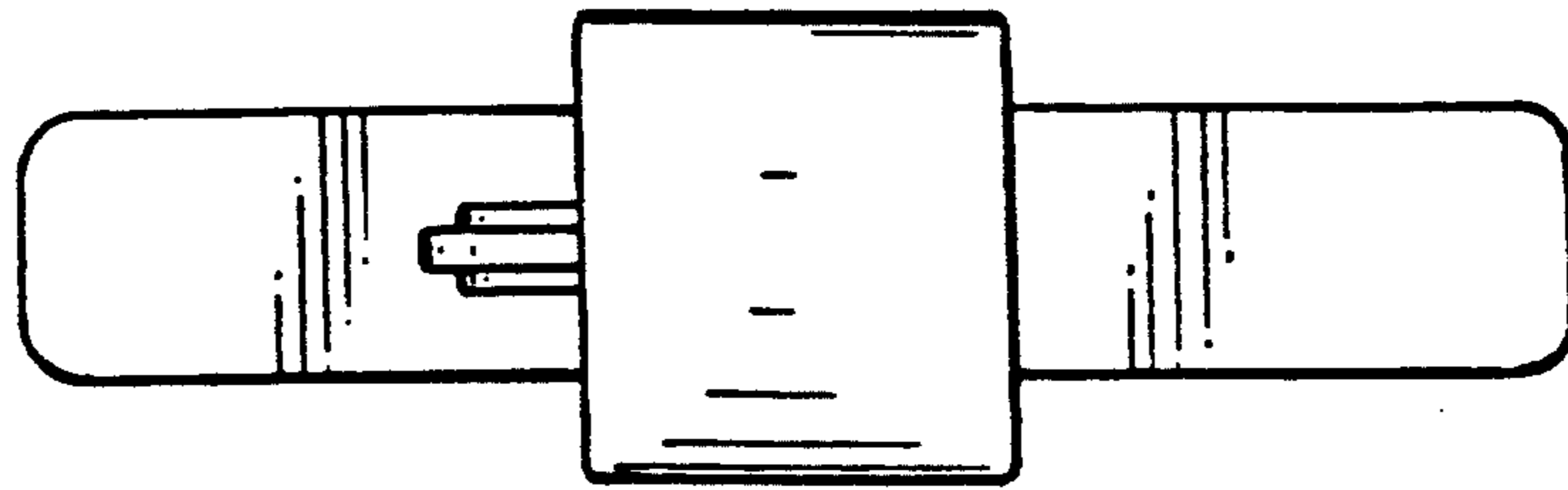


FIG. 5

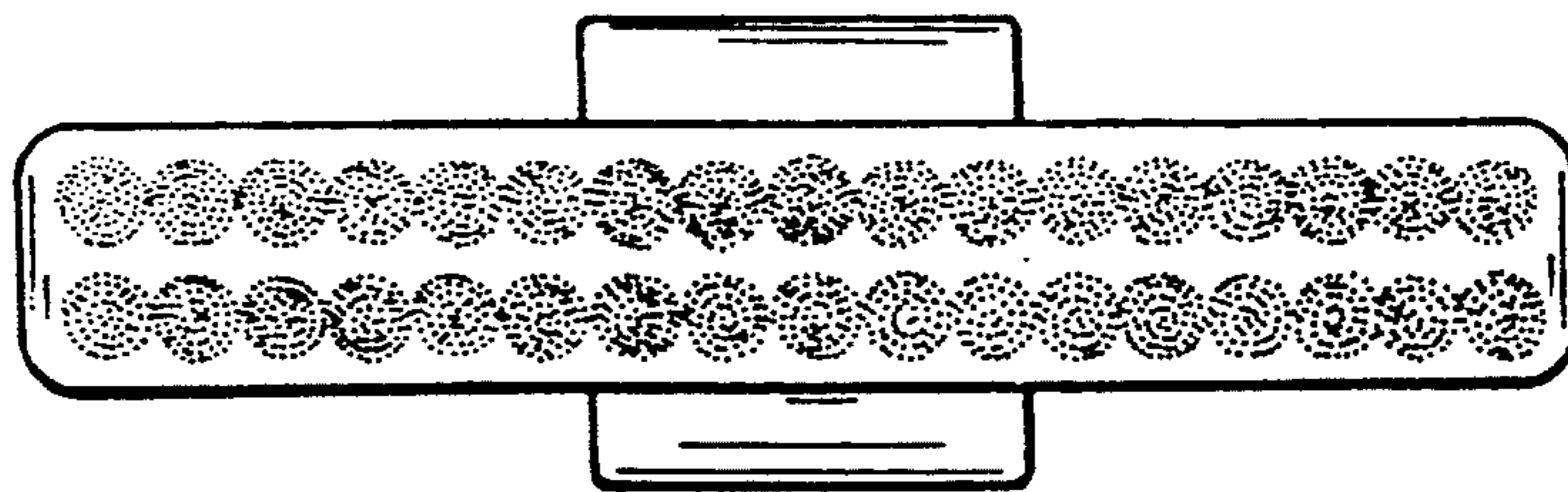


FIG. 6

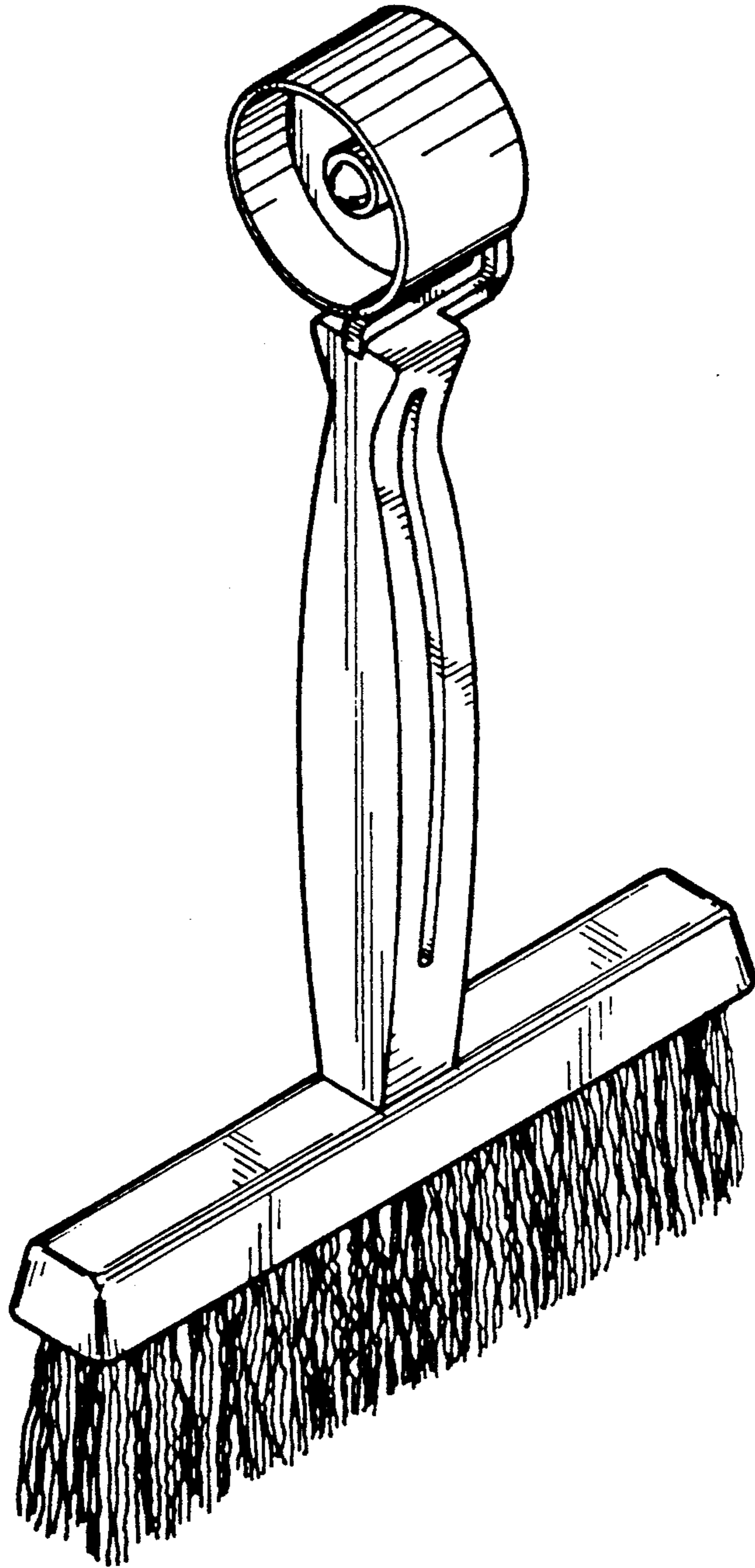


FIG. 7