



US00D346490S

# United States Patent [19]

[11] Patent Number: **Des. 346,490**

Prosa

[45] Date of Patent: **\*\* May 3, 1994**

[54] **WALLET FOR STORING CONDOMS**

4,037,634 7/1977 Ricciardi ..... D3/56

[76] Inventor: **Andrew A. Prosa**, 1470 NE. 123rd St.,  
North Miami, Fla. 33161

*Primary Examiner*—Louis S. Zarfaz  
*Attorney, Agent, or Firm*—Terry M. Gernstein

[\*\*] Term: **14 Years**

[57] **CLAIM**

[21] Appl. No.: **895,863**

The ornamental design for a wallet for storing condoms, as shown and described.

[22] Filed: **Jun. 9, 1992**

**DESCRIPTION**

[52] U.S. Cl. .... **D3/247**

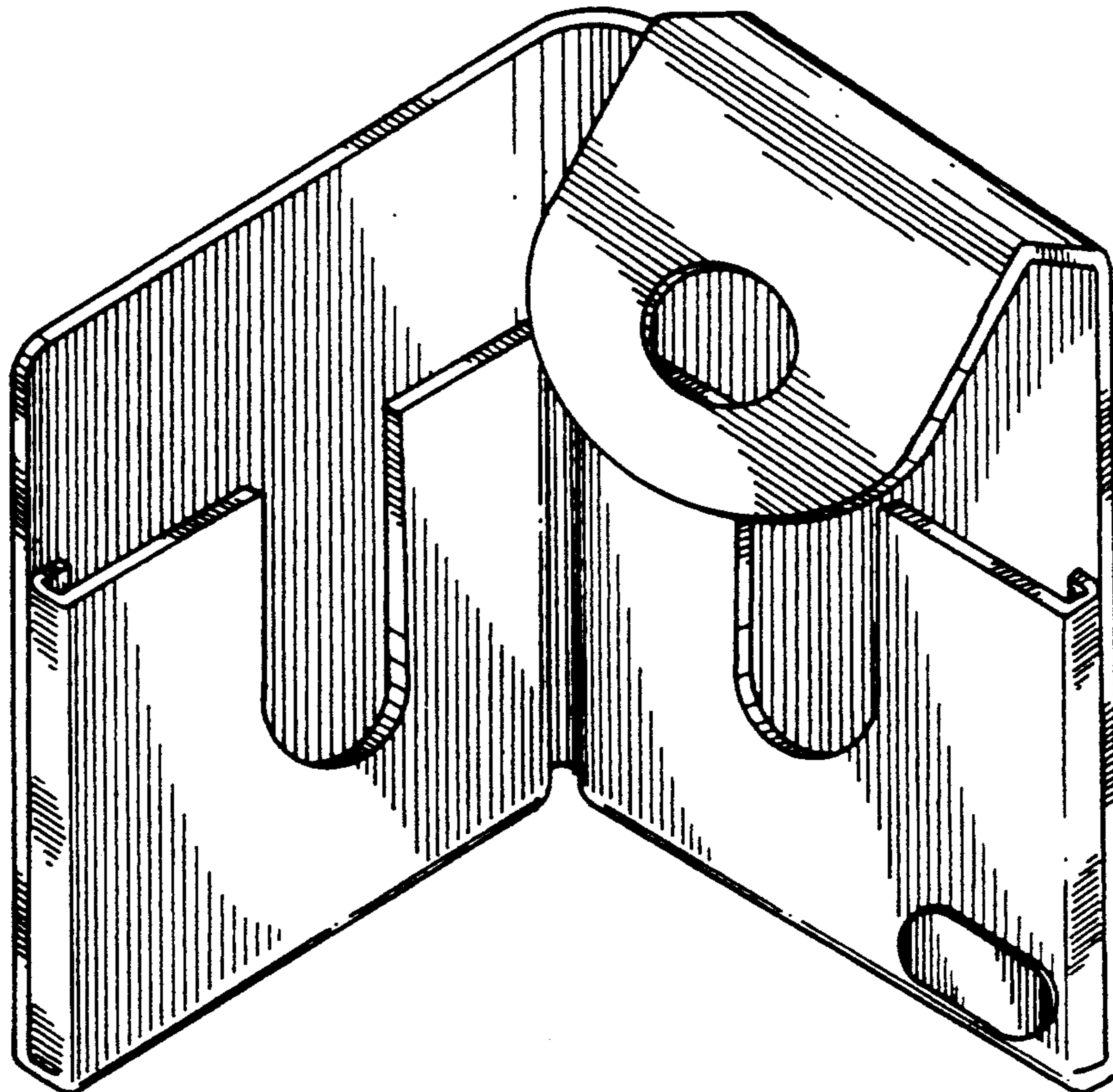
[58] Field of Search ..... **D3/56-60;**  
150/131-153; 206/69

FIG. 1 is a top perspective view of the wallet for storing condoms showing my new design in the open condition; FIG. 2 is a front elevational view thereof; FIG. 3 is a rear elevational view thereof; FIG. 4 is a right side elevational view thereof; FIG. 5 is a top plan view thereof; FIG. 6 is a bottom plan view thereof; FIG. 7 is a left side elevational view thereof; and, FIG. 8 is a perspective view taken in the opposite direction of FIG. 1.

[56] **References Cited**

**U.S. PATENT DOCUMENTS**

D. 46,889	1/1915	Smith	.....	D3/52
D. 278,445	4/1985	Hartney	.....	D3/60
2,458,711	1/1949	Knee	.....	D3/56
2,687,159	8/1954	Dobbs et al.	.....	D3/52 X
2,767,756	10/1956	Niles	.....	D3/56



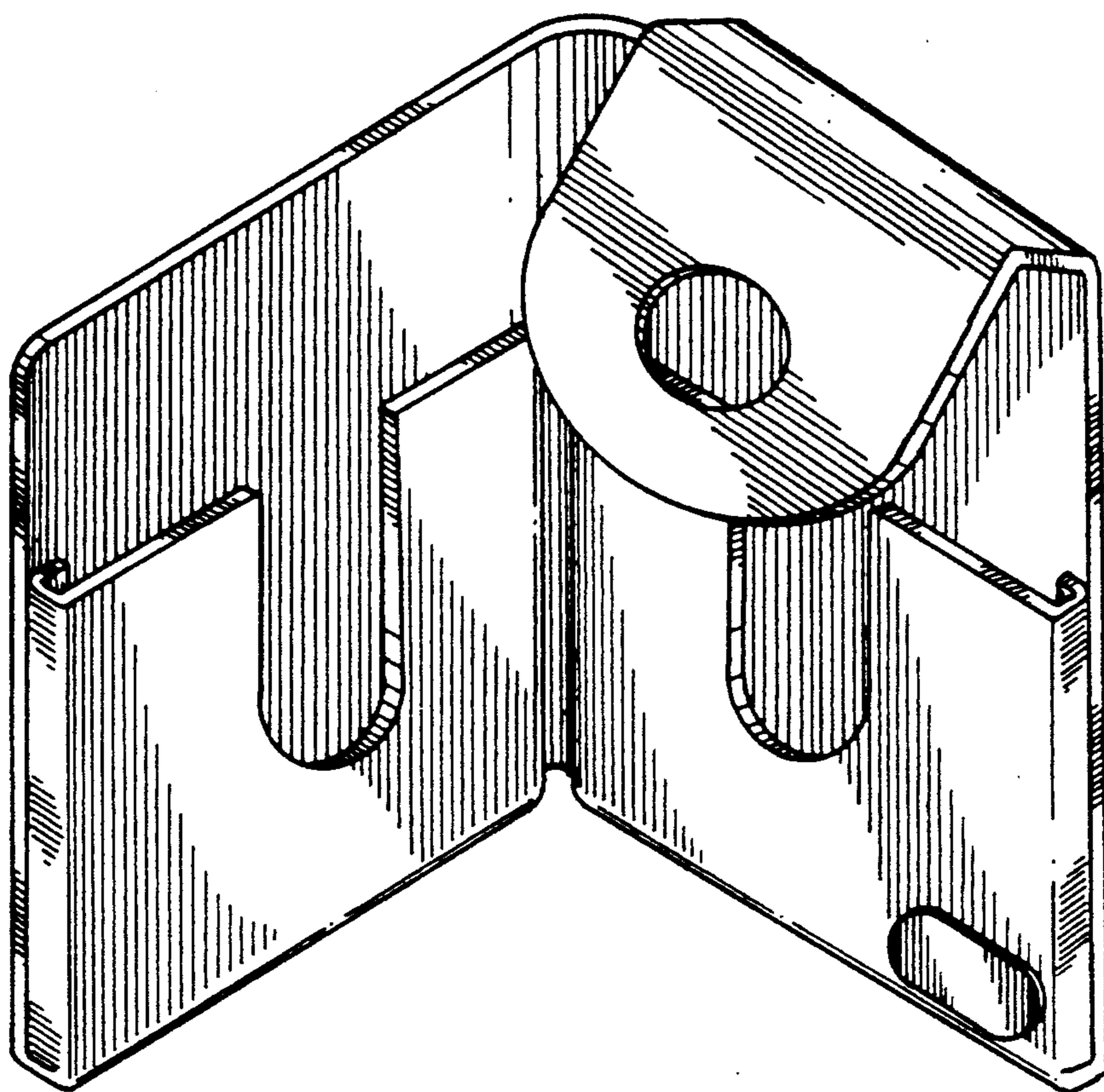


FIG. 1.

FIG. 2.

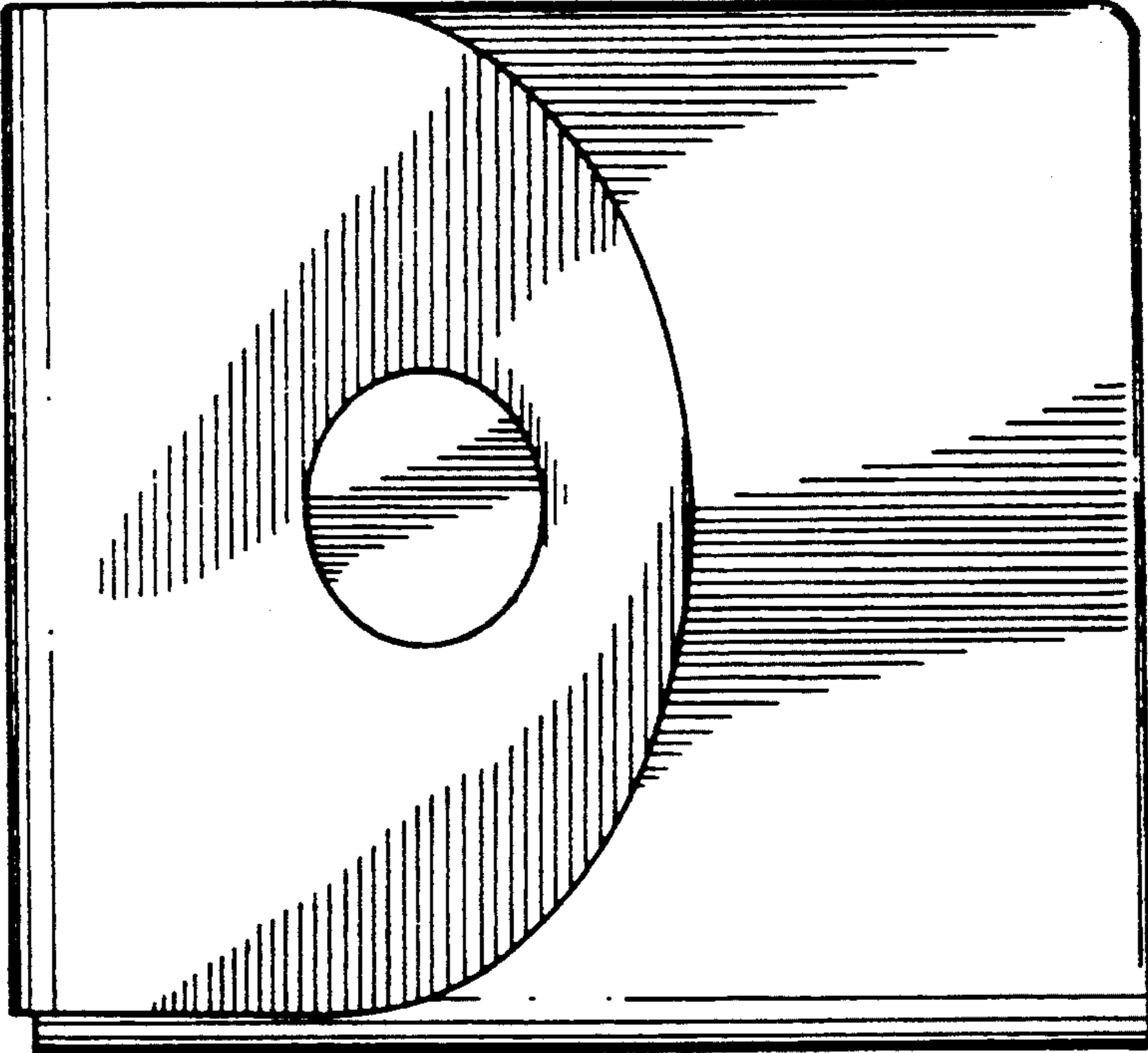


FIG. 4.

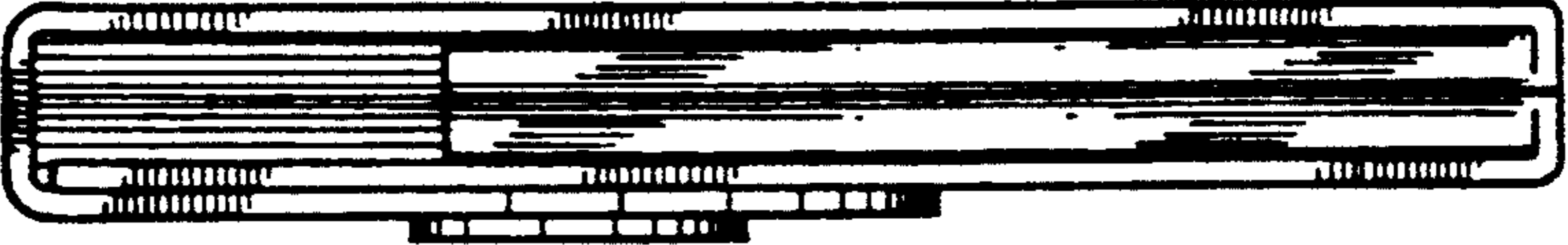


FIG. 3.

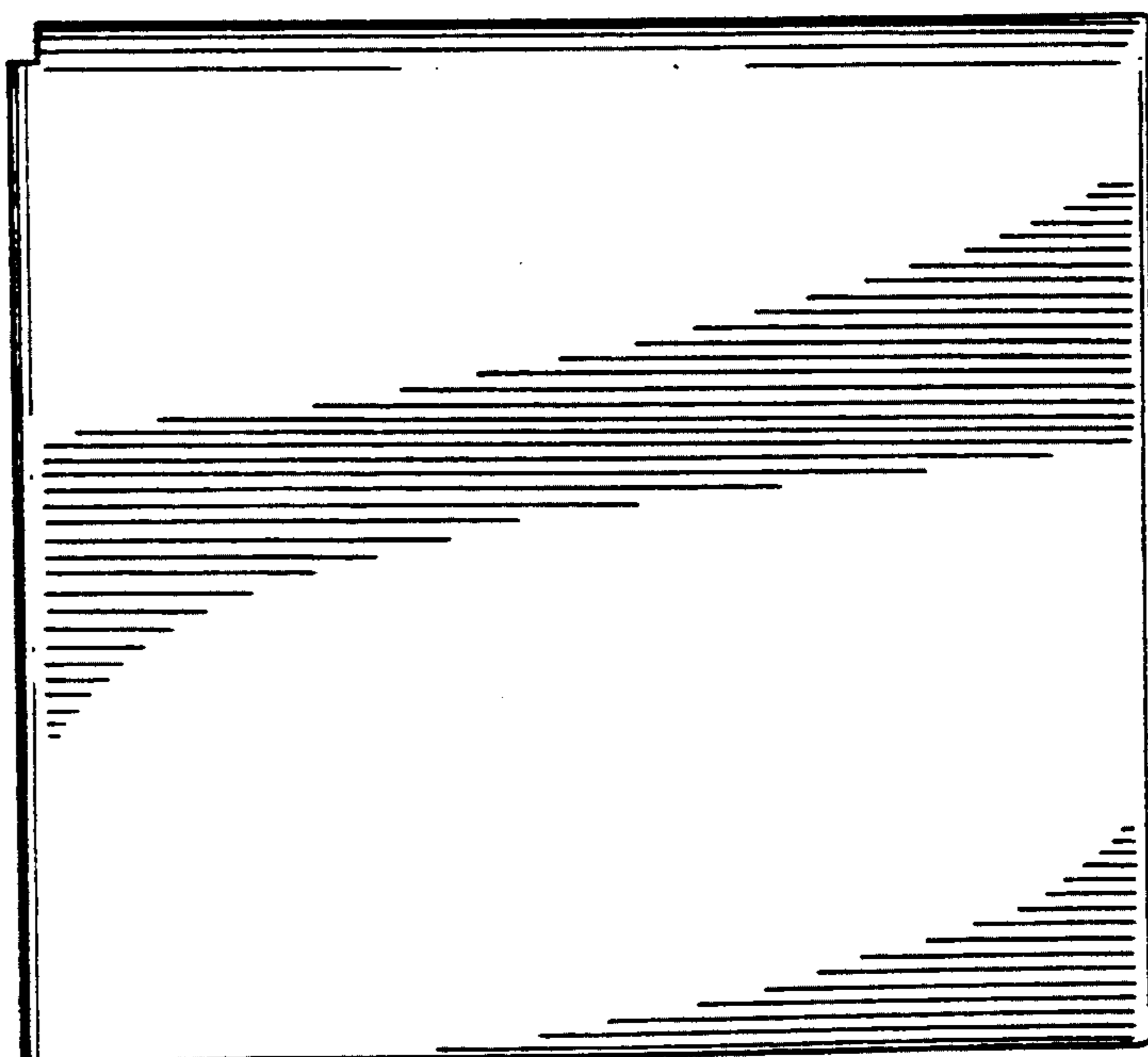


FIG. 7.

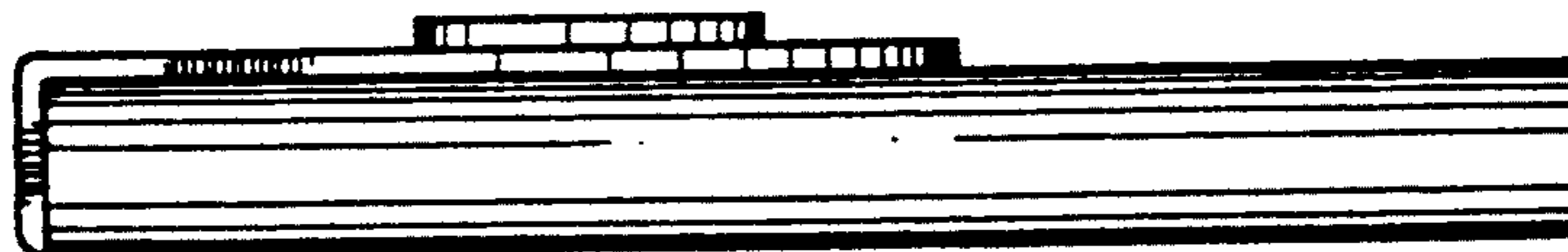


FIG. 5.

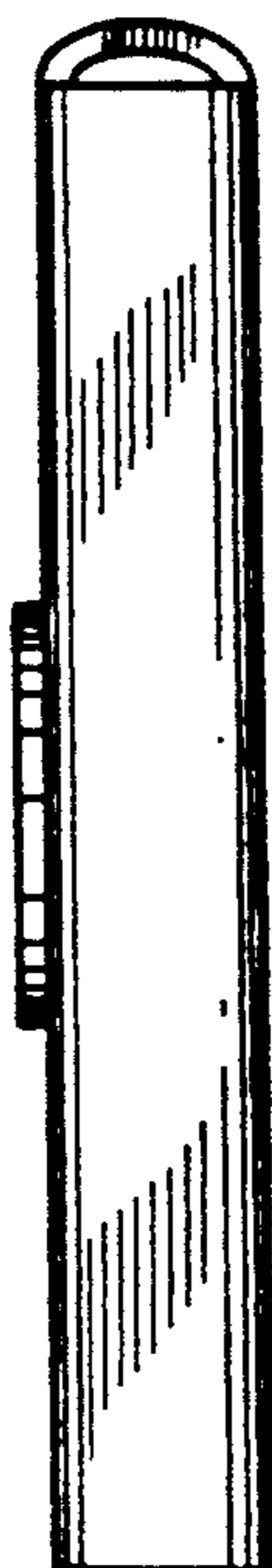


FIG. 6.

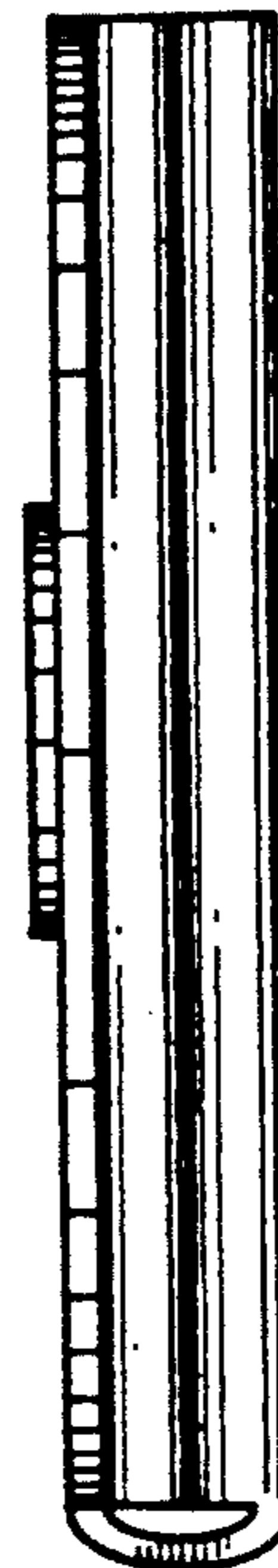




FIG. 8.

