



US00D346489S

# United States Patent [19]

Bean et al.

[11] Patent Number: **Des. 346,489**

[45] Date of Patent: **\*\* May 3, 1994**

[54] **BICYCLE BAG**

[75] Inventors: **Andrew J. Bean; David W. Eyman,**  
both of Cincinnati; **Kevin O. Strand,**  
Delphos, all of Ohio

[73] Assignee: **Huffy Corporation,** Miamisburg,  
Ohio

[\*\*] Term: **14 Years**

[21] Appl. No.: **908,008**

[22] Filed: **Jun. 30, 1992**

[52] U.S. Cl. .... **D7/709; D3/287;**  
D12/407

[58] Field of Search ..... **D3/36, 30.1, 100, 106,**  
D3/38; 224/30 A, 31, 36, 41, 207, 268;  
150/110, 109

[56] **References Cited**

**U.S. PATENT DOCUMENTS**

D. 280,673	9/1985	Scheller .....	D3/106
D. 284,622	7/1986	Durbin .....	D3/38
D. 316,177	4/1991	Strimpfel .....	D3/100
D. 323,743	2/1992	Di Sessa et al. ....	D3/30.1
D. 333,729	3/1993	Hopp .....	D3/100
1,090,079	3/1914	Livingston .....	224/207

3,085,612	4/1963	Gobel .....	D3/71
3,955,728	5/1976	Jackson et al. ....	224/31
4,066,196	1/1978	Jackson et al. ....	224/30
4,515,300	5/1985	Cohen .....	224/30 A
4,700,761	10/1987	Gladding .....	150/109
5,040,709	8/1991	Neugent .....	224/35
5,104,016	4/1992	Runkel .....	224/148
5,105,958	4/1992	Patton .....	215/100
5,234,143	8/1993	Mahvi et al. ....	224/31

*Primary Examiner*—A. Hugo Word  
*Assistant Examiner*—R. Seifert  
*Attorney, Agent, or Firm*—Biebel & French

[57] **CLAIM**

The ornamental design for a bicycle bag, as shown and described.

**DESCRIPTION**

FIG. 1 is a perspective view of a bicycle bag showing our new design;  
FIG. 2 is a front elevational view thereof;  
FIG. 3 is a right side elevational view thereof;  
FIG. 4 is a left side elevational view thereof;  
FIG. 5 is a rear elevational view thereof;  
FIG. 6 is a top plan view thereof; and,  
FIG. 7 is a bottom plan view thereof.

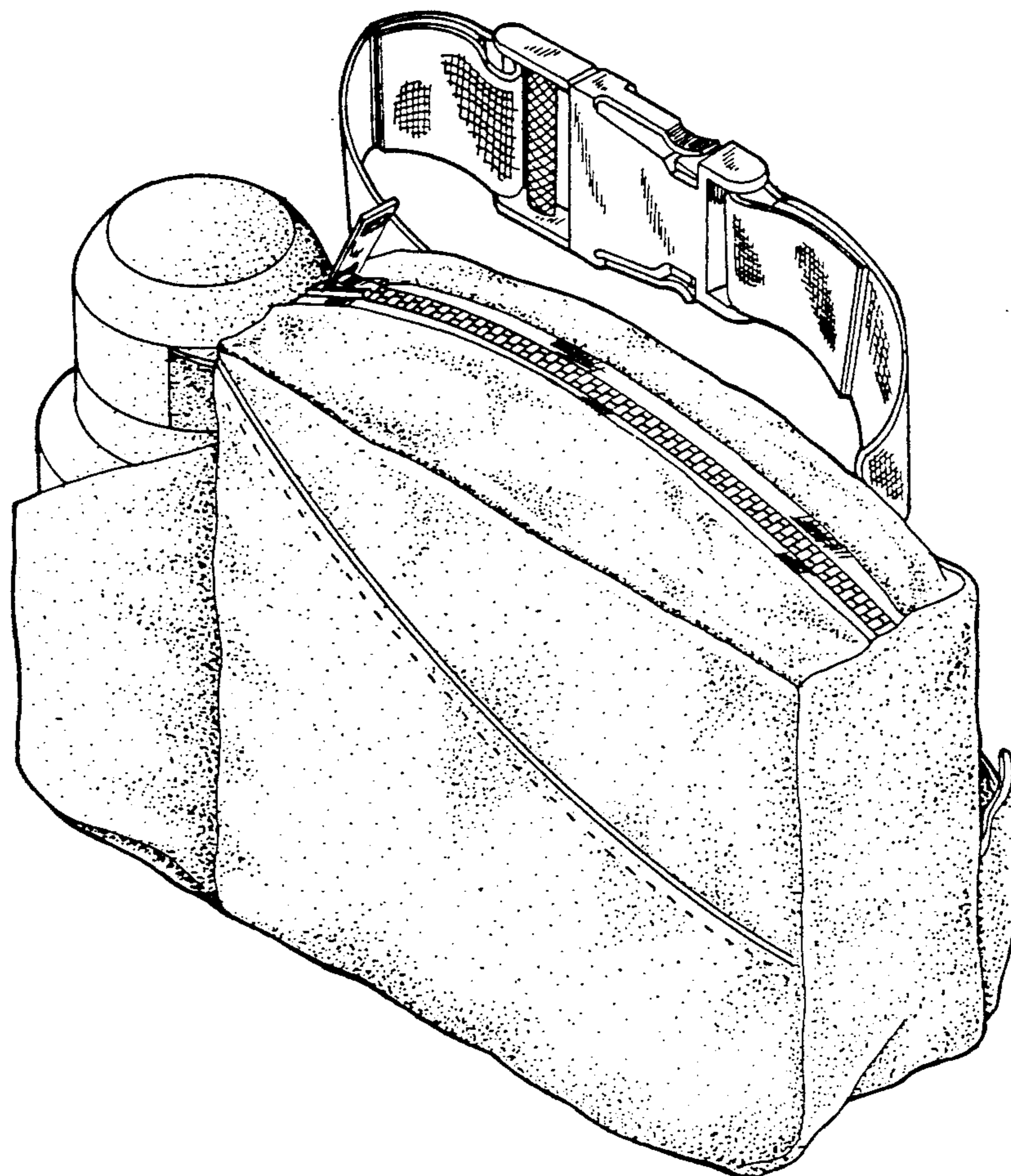
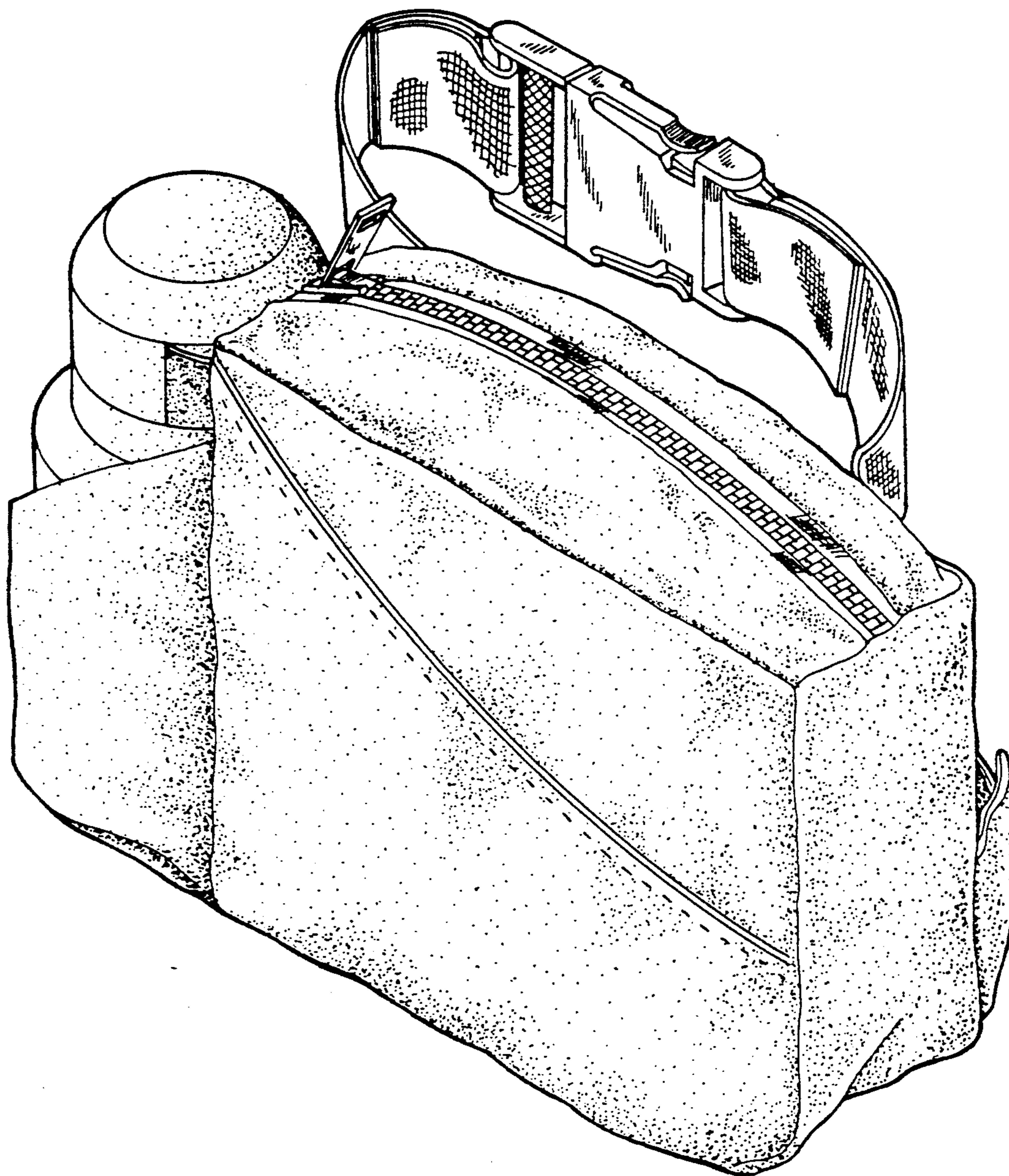


FIG-1



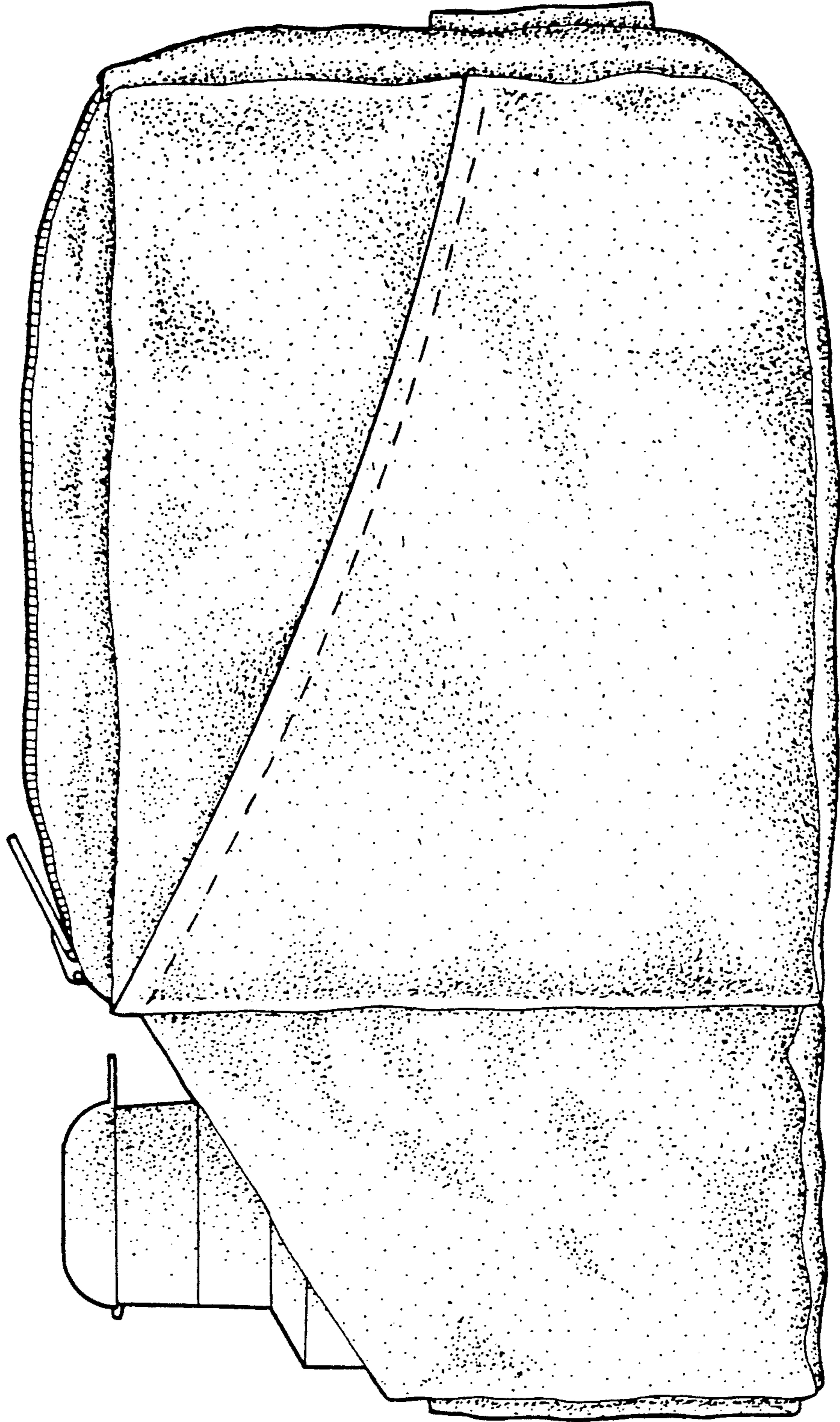


FIG-2

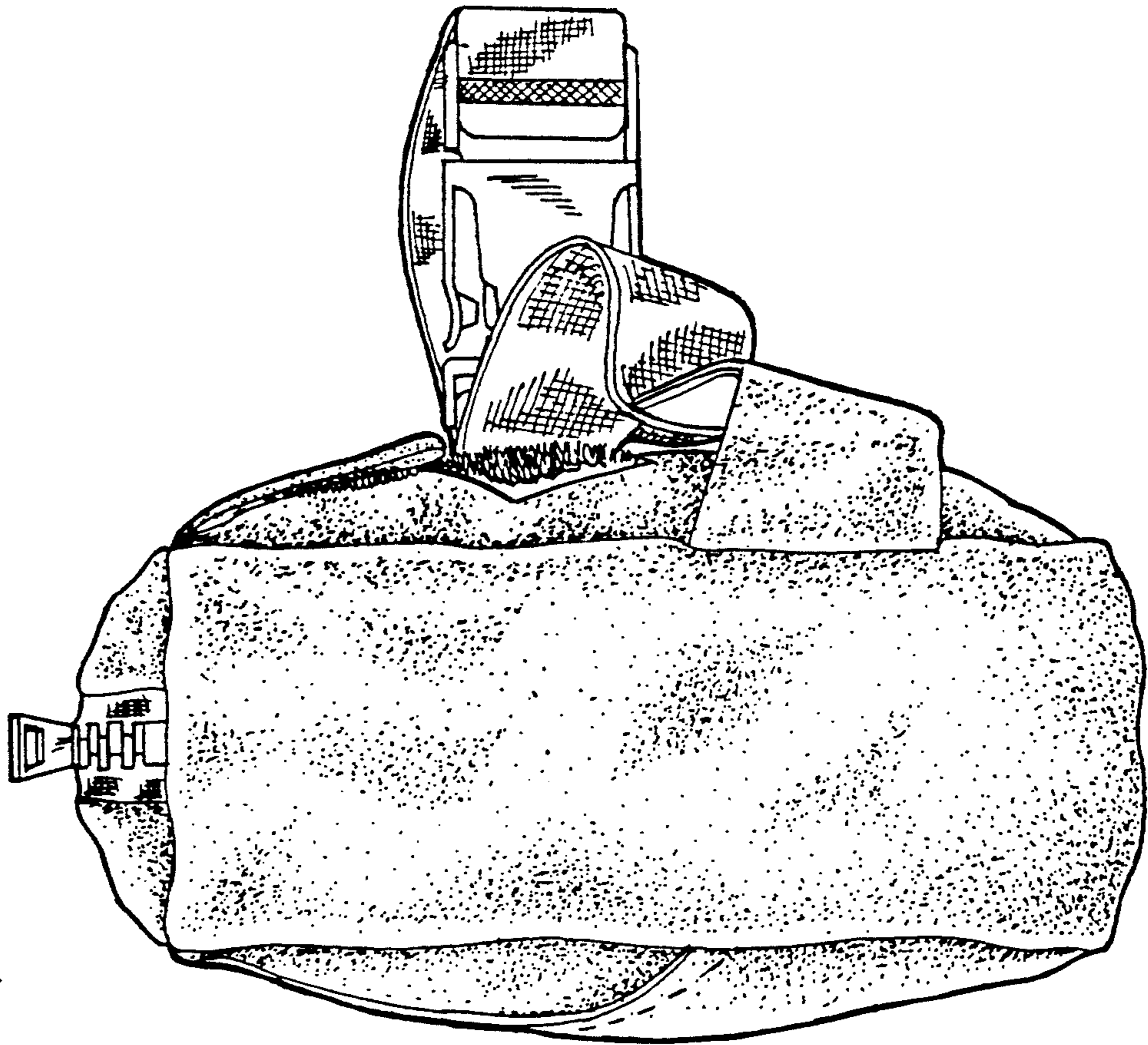


FIG-4

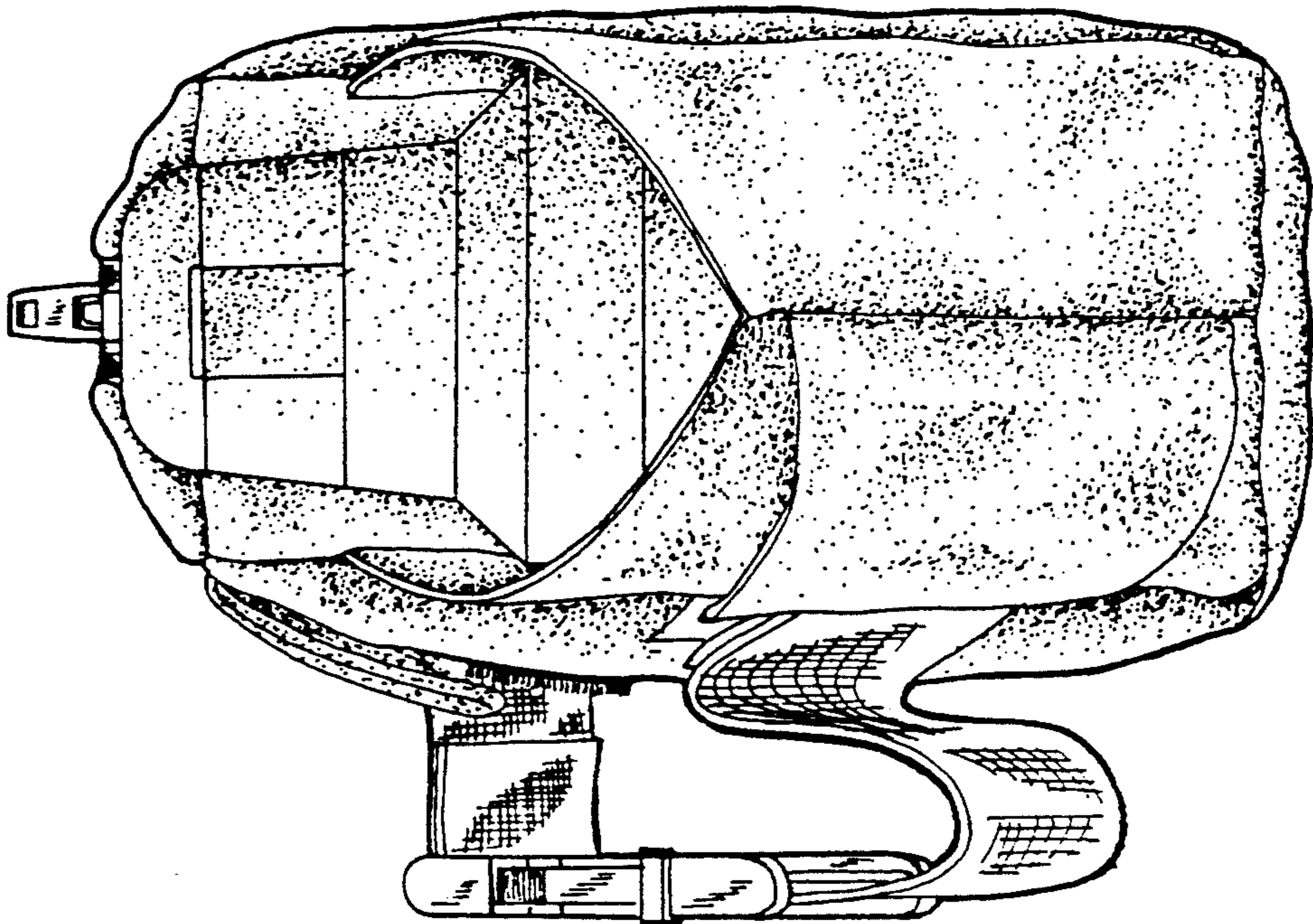


FIG-3

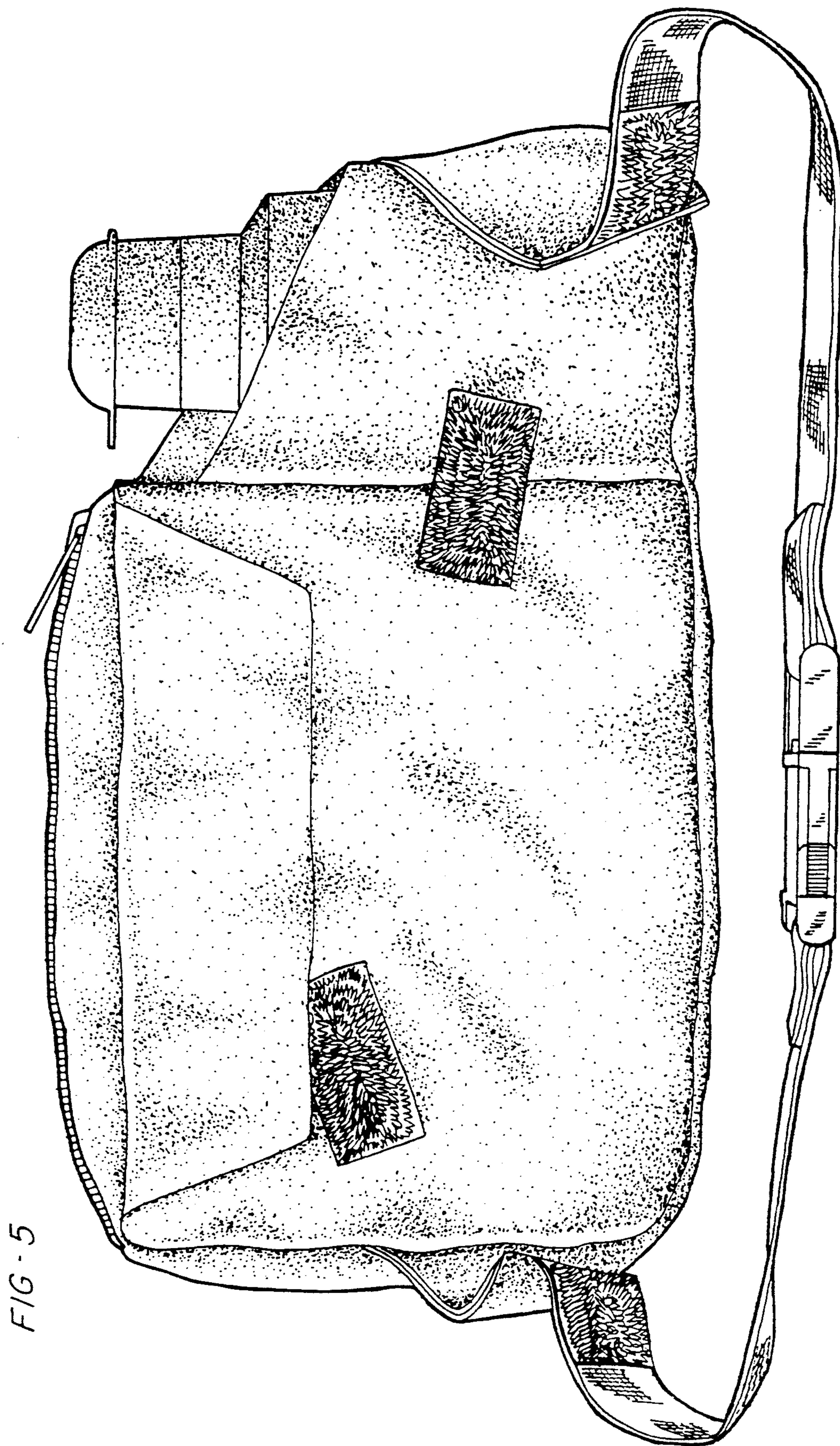


FIG-5

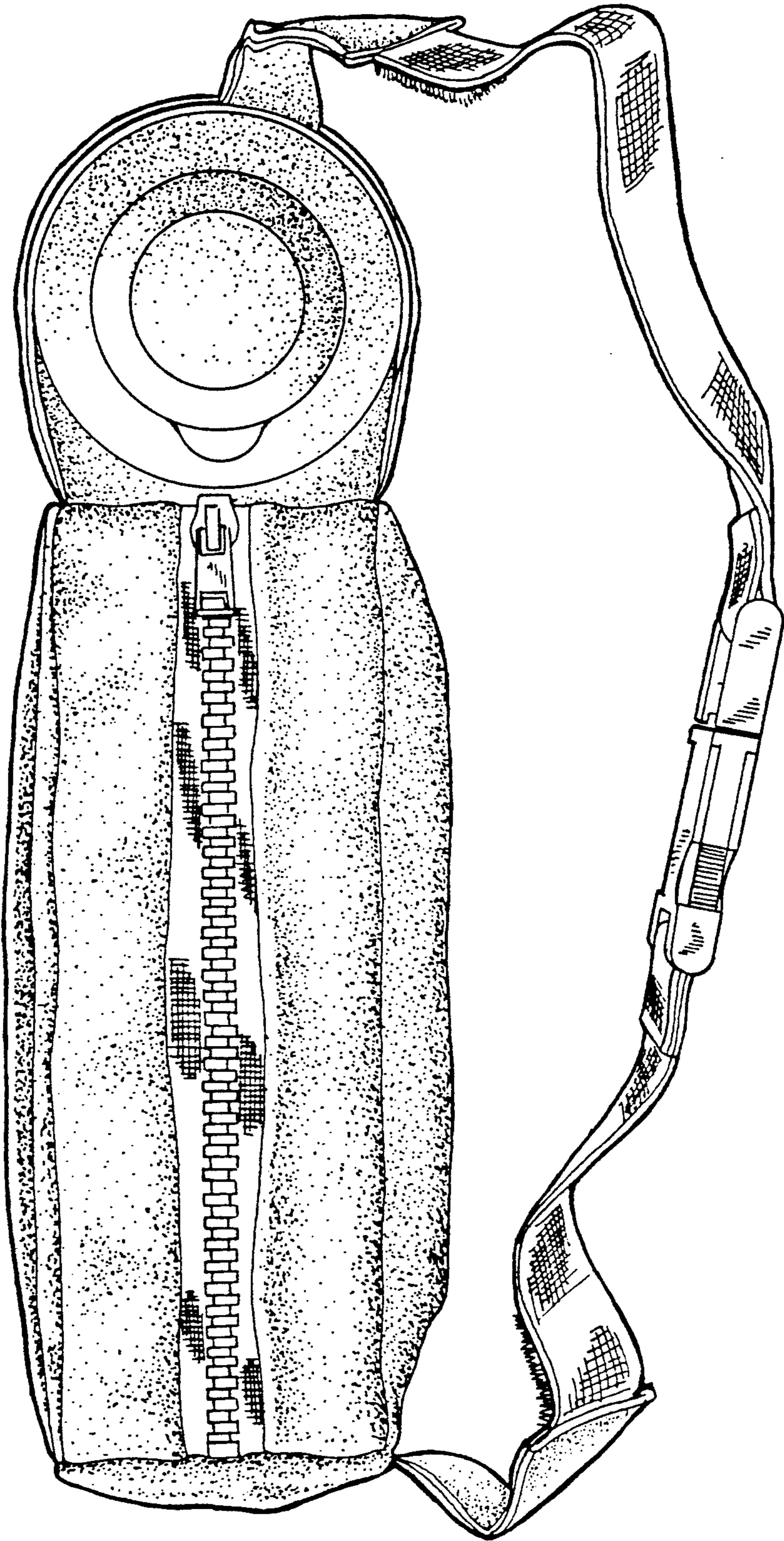


FIG-6

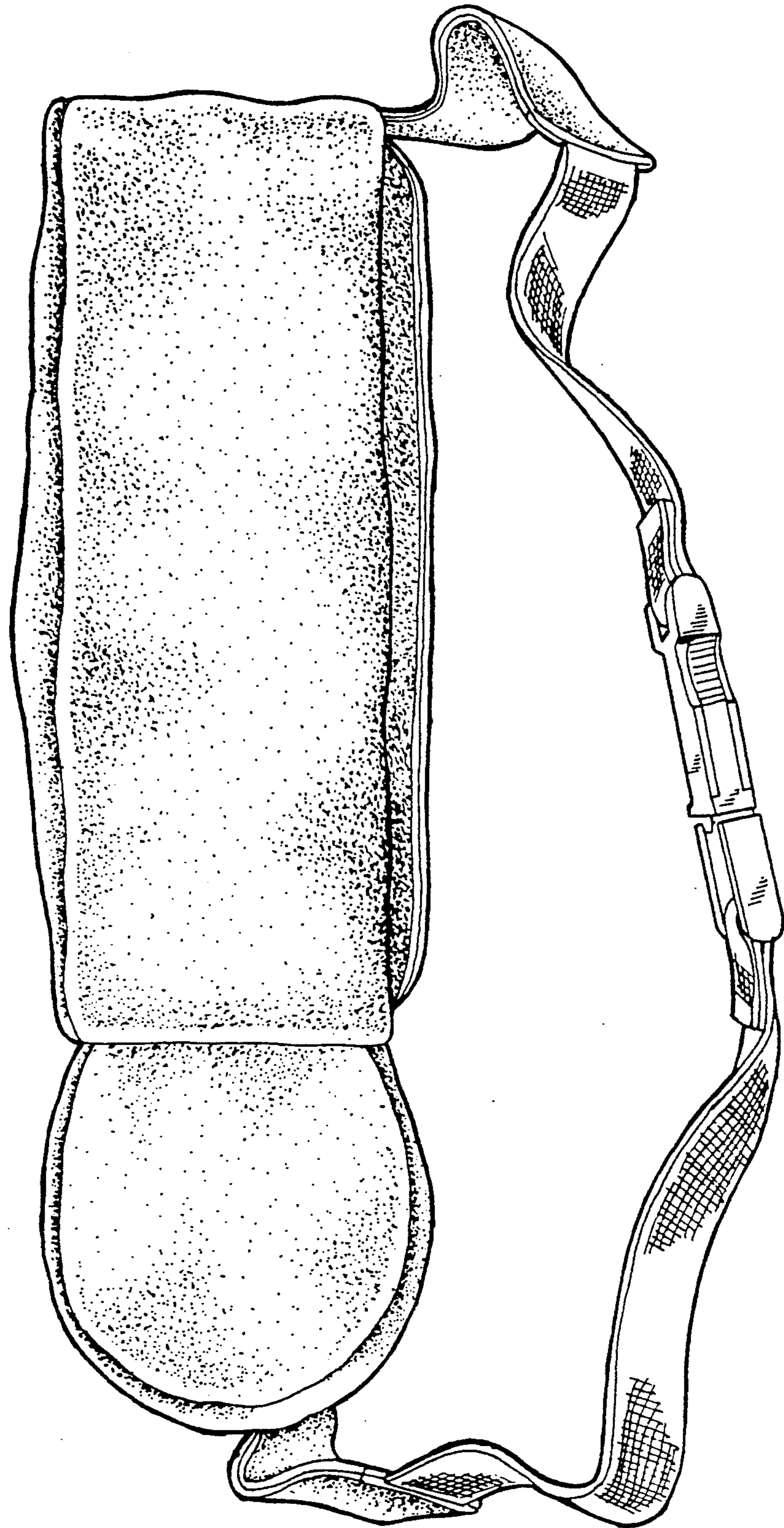


FIG-7