



US00D346488S

United States Patent [19]

[11] Patent Number: **Des. 346,488**

Horikiri

[45] Date of Patent: **** May 3, 1994**

- [54] **CASE FOR AN AUDIO TAPE CASSETTE**
- [75] Inventor: **Kazuhisa Horikiri, Kanagawa, Japan**
- [73] Assignee: **Fuji Photo Film Co., Ltd., Kanagawa, Japan**
- [*] Notice: The portion of the term of this patent subsequent to Jul. 13, 2007 has been disclaimed.
- [**] Term: **14 Years**
- [21] Appl. No.: **784,797**
- [22] Filed: **Oct. 30, 1991**
- [52] U.S. Cl. **D6/634**
- [58] Field of Search D3/30.1, 35, 39, 56, D3/59, 62, 71, 74, 79, 100; 206/312, 387, 444, 420; 360/133; D19/26, 27, 75, 76, 90, 91; D27/155, 157, 159, 172, 186, 190, 191

4,757,896	7/1988	Huko	206/387
4,863,026	9/1989	Perkowski	206/387
5,064,065	11/1991	Takahashi	206/387
5,097,952	3/1992	Katagiri	206/387
5,109,982	5/1992	Morita	206/387

Primary Examiner—A. Hugo Word
Assistant Examiner—Celia Murphy
Attorney, Agent, or Firm—Young & Thompson

[57] CLAIM

The ornamental design for a case for an audio tape cassette, as shown and described.

DESCRIPTION

FIG. 1 is a top, front and side perspective view of a case for an audio tape cassette, showing my new design; FIG. 2 is a front elevational view thereof; FIG. 3 is a rear elevational view thereof; FIG. 4 is a top plan view thereof; FIG. 5 is a bottom plan view thereof; FIG. 6 is a left side elevational view thereof; FIG. 7 is a right side elevational view thereof; FIG. 8 is a cross-sectional view taken on line 8—8 of FIG. 2; FIG. 9 is a cross-sectional view taken on line 9—9 of FIG. 2; and, FIG. 10 is a view thereof similar to FIG. 1 but showing the case in an open position.

[56] References Cited

U.S. PATENT DOCUMENTS

D. 223,085	3/1972	Zimmerman et al.	D3/35
D. 262,414	12/1981	Long et al.	D3/35
D. 279,328	6/1985	Shimmi et al.	D3/35
D. 314,989	2/1991	Hassel	D19/90
3,978,985	9/1976	Zinnbauer	206/387
4,428,482	1/1984	Ogawa	206/387

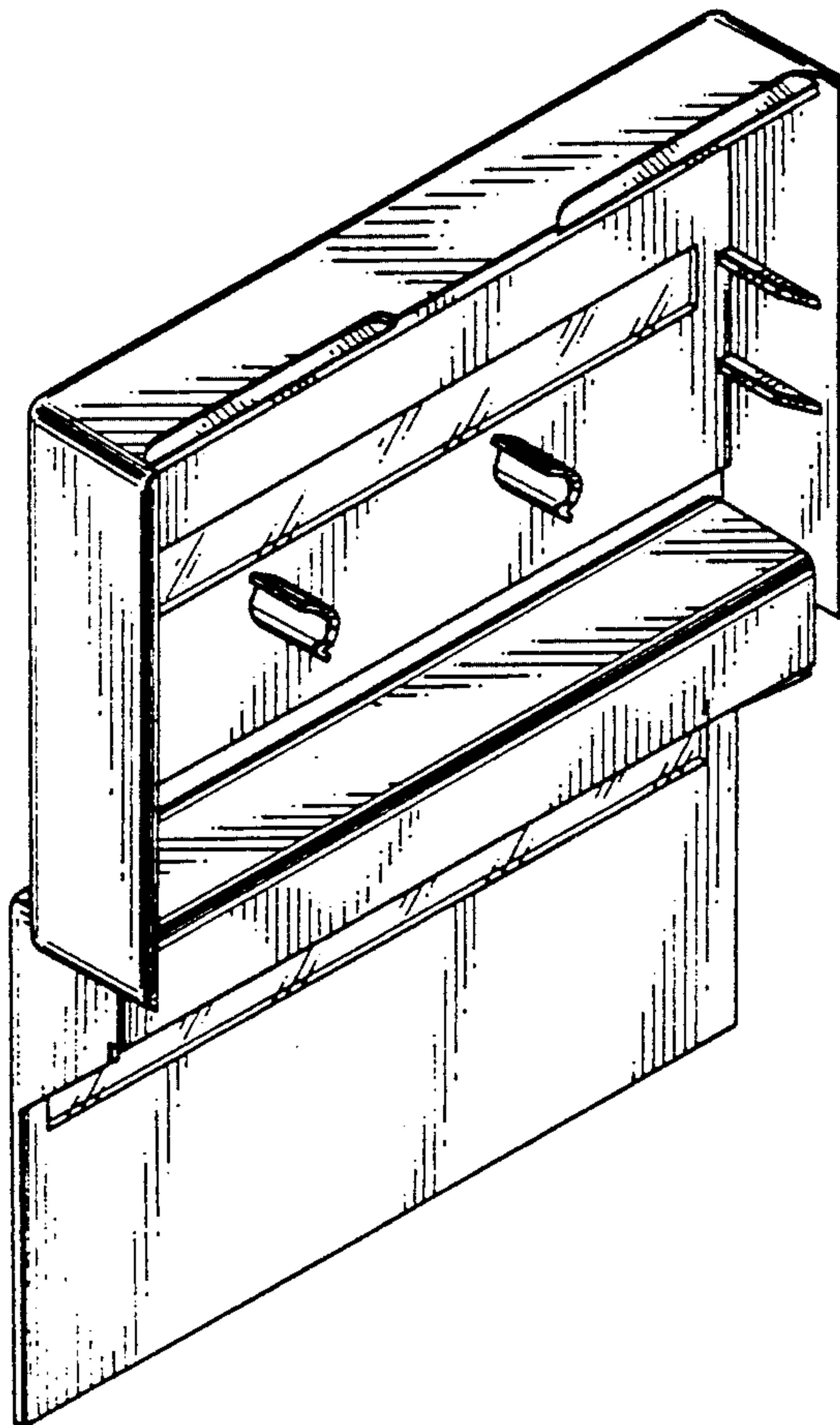


FIG. 1

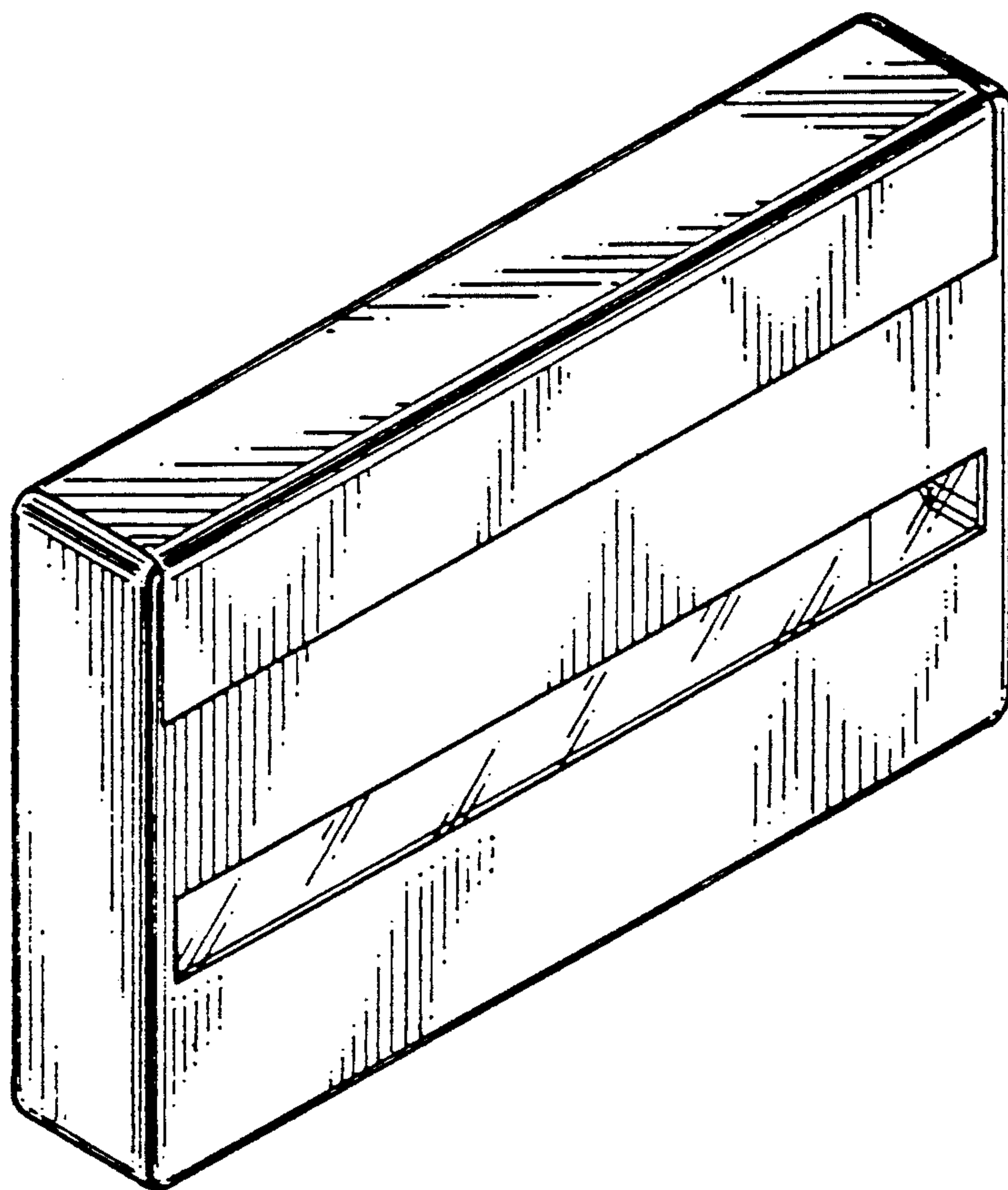


FIG. 2

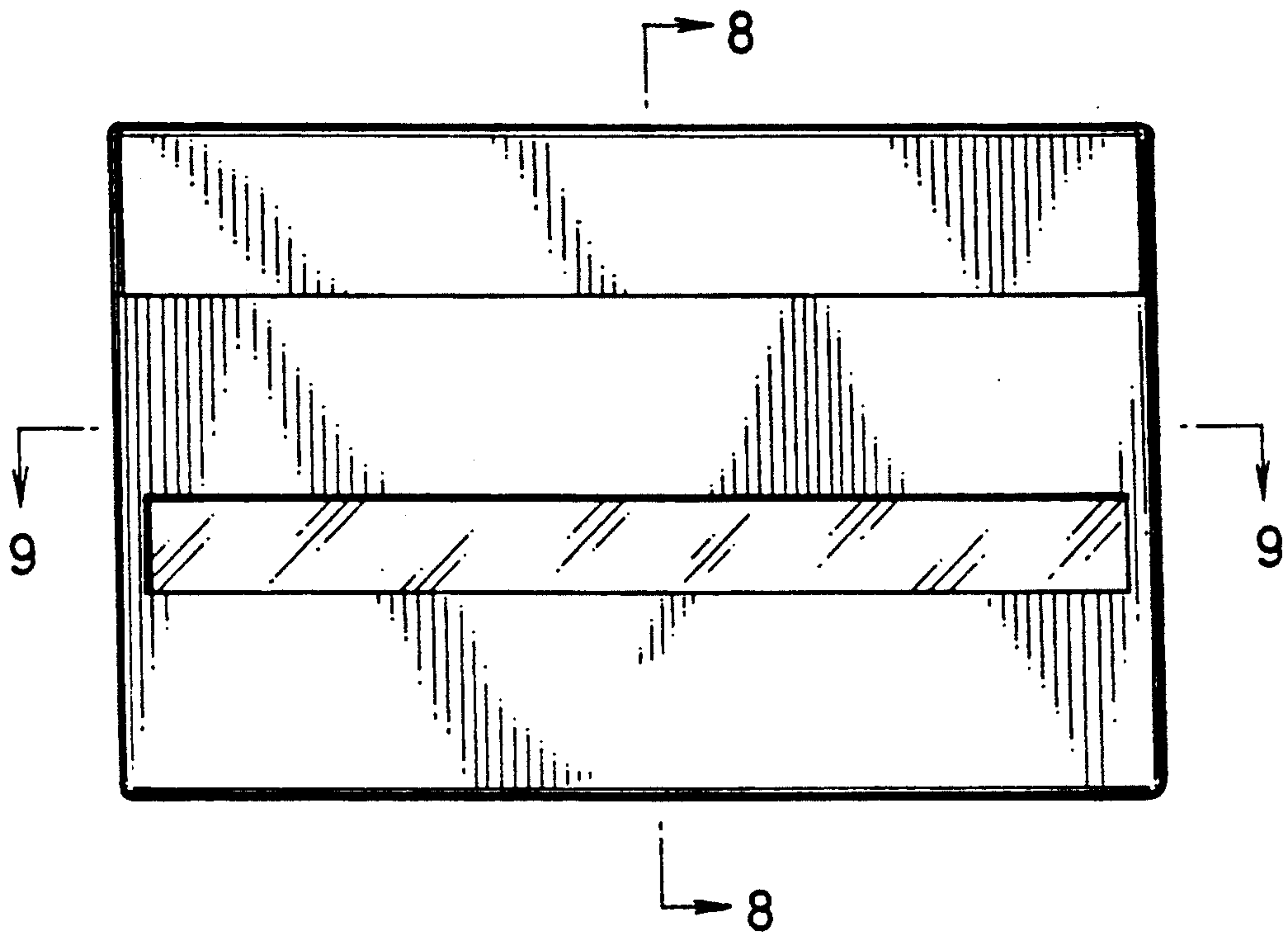


FIG. 3

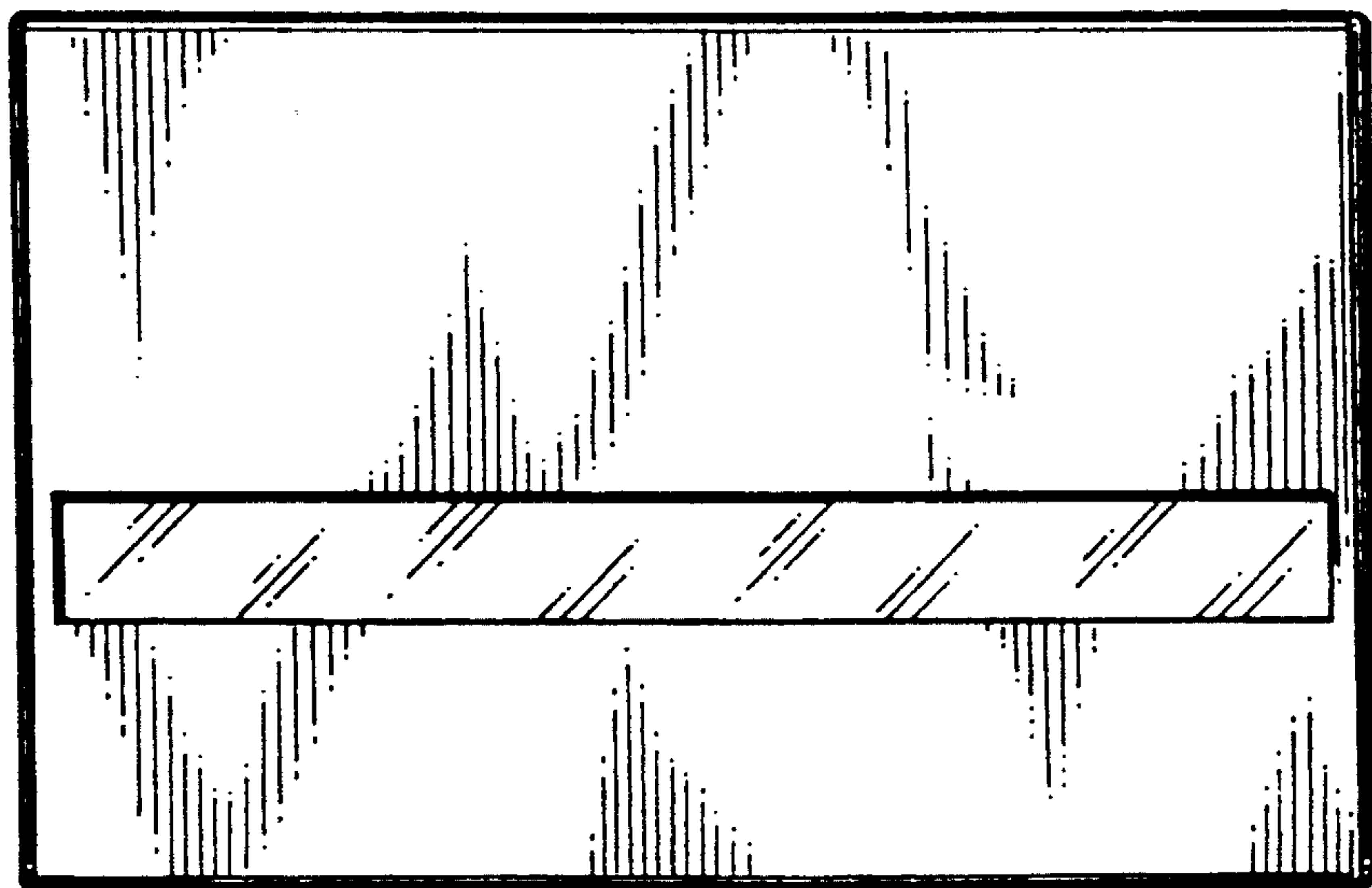


FIG. 4

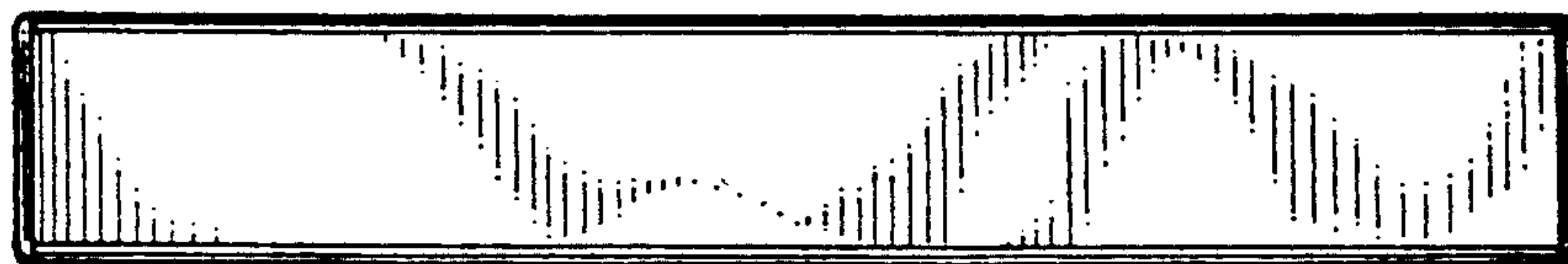


FIG. 5

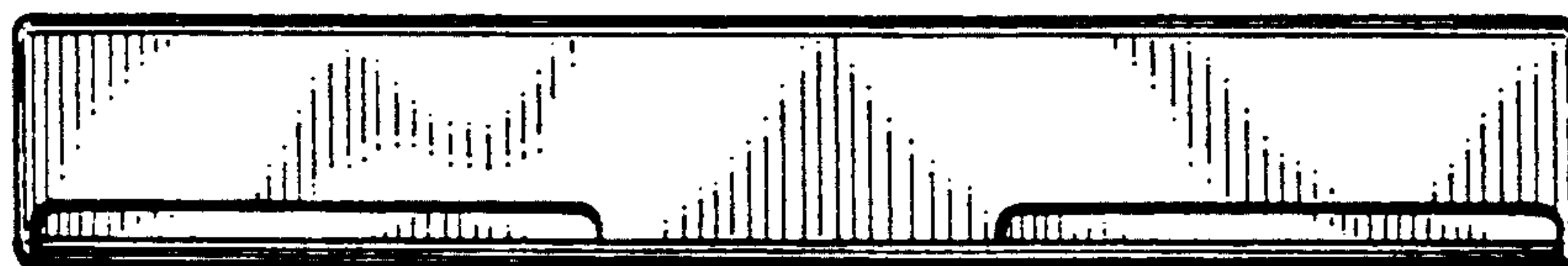


FIG. 6

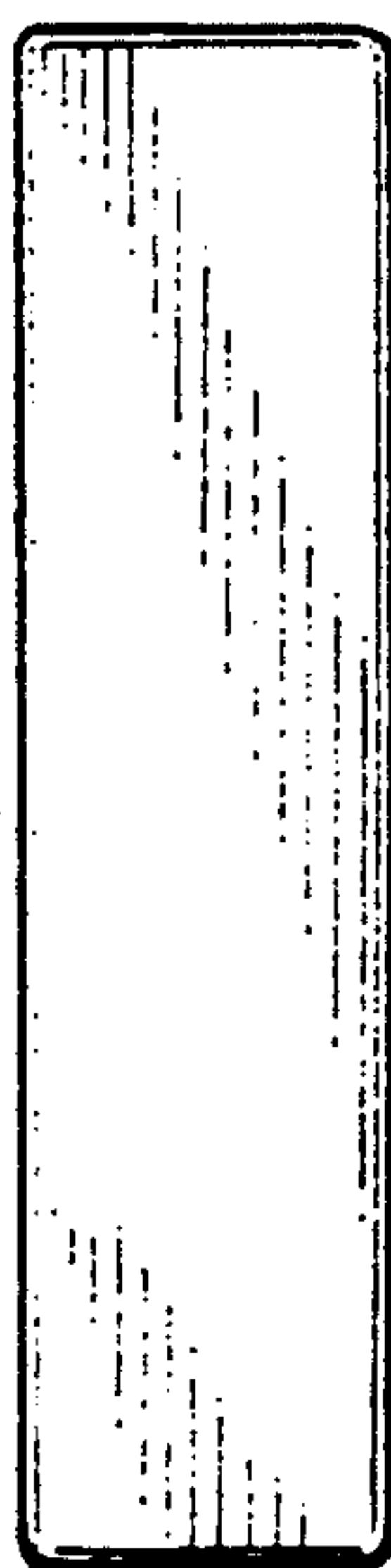


FIG. 7

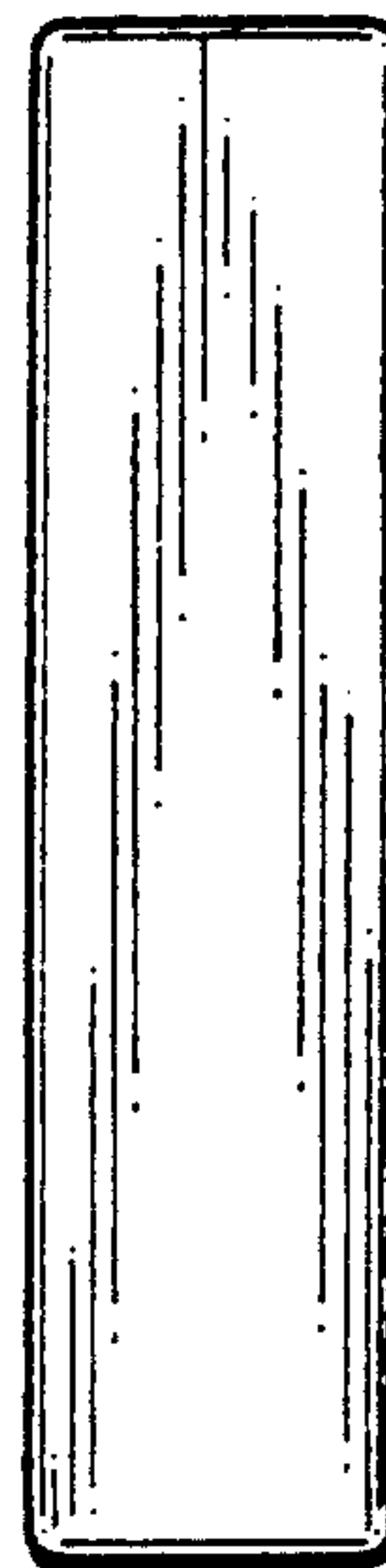


FIG. 8

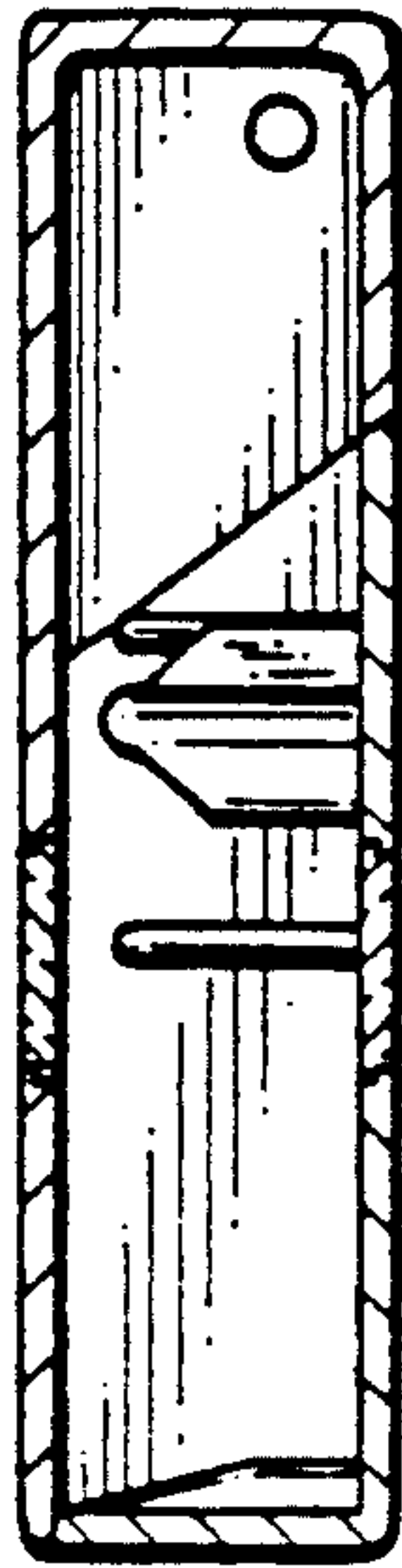


FIG. 9

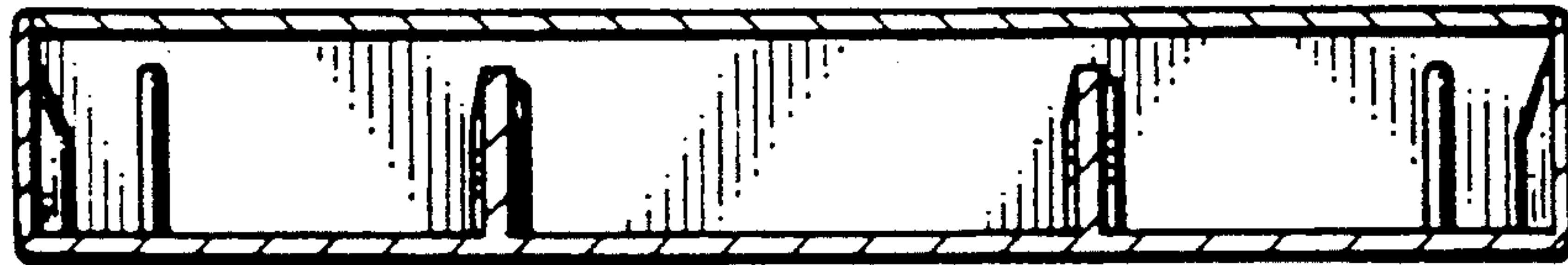


FIG. 10

