



US00D346474S

United States Patent [19]

Lindgren

[11] Patent Number: **Des. 346,474**

[45] Date of Patent: **** Apr. 26, 1994**

[54] **DETACHABLE GOODS LIFTING ARM**

[75] Inventor: **Gunnar Lindgren, Eskilstuna, Sweden**

[73] Assignee: **VME Industries Sweden AB, Eskilstuna, Sweden**

[**] Term: **14 Years**

[21] Appl. No.: **2,856**

[22] Filed: **Dec. 22, 1992**

[30] **Foreign Application Priority Data**

Jun. 22, 1992 [SE] Sweden 92-1348

[52] U.S. Cl. **D34/35; D34/36; D34/33**

[58] Field of Search 212/260, 261, 180; 414/563; 280/402; D34/28, 33, 34, 35, 36; D12/14

[56] **References Cited**

U.S. PATENT DOCUMENTS

3,759,399	9/1973	Glass et al.	212/180
4,226,331	10/1980	Dumond	212/261
5,029,717	7/1991	Chambers et al.	212/261
5,082,127	1/1992	Huang	212/261

FOREIGN PATENT DOCUMENTS

91-2358	12/1992	Sweden .	
2105679	3/1983	United Kingdom	212/261

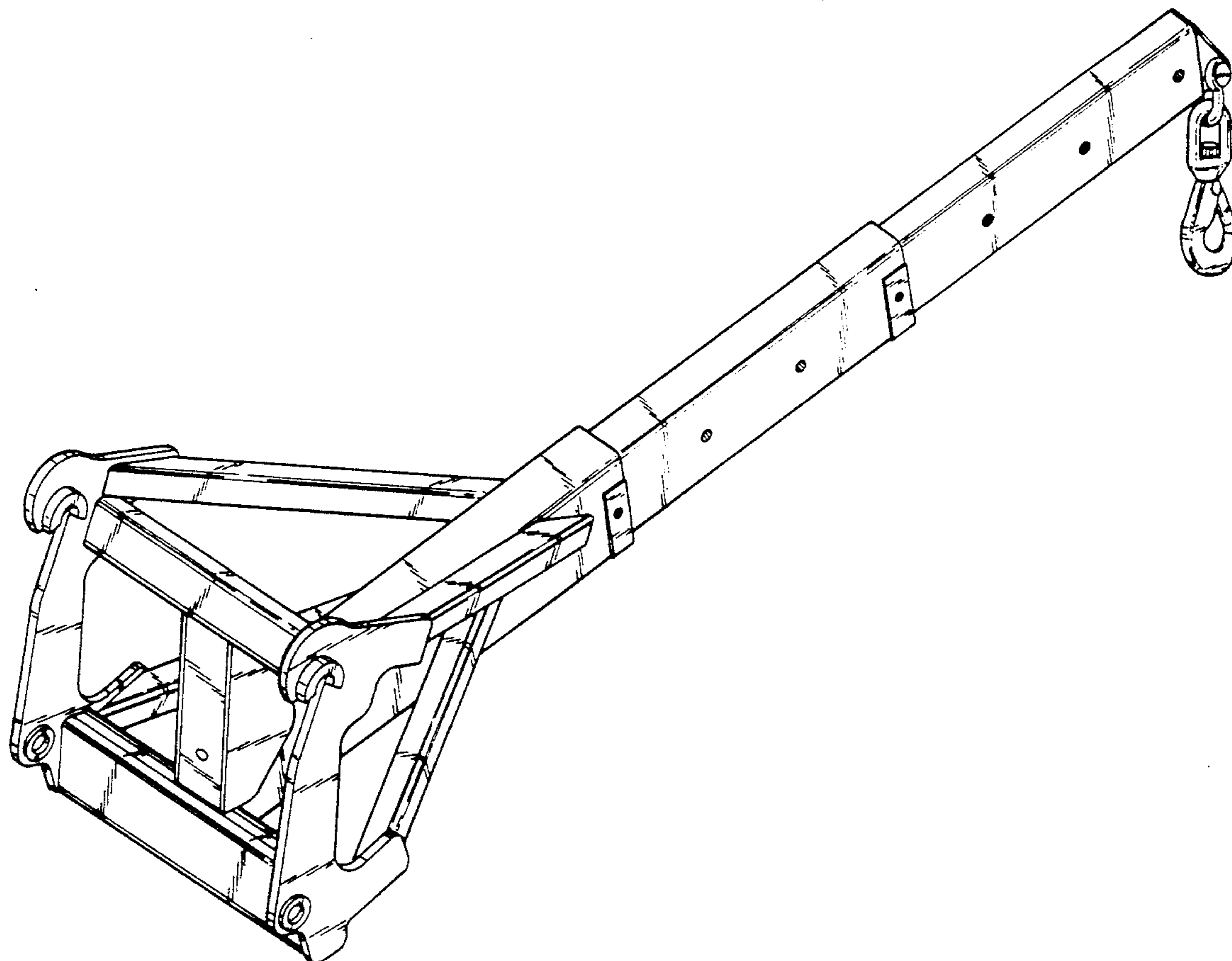
Primary Examiner—Kay H. Chin
Attorney, Agent, or Firm—Young & Thompson

[57] **CLAIM**

The ornamental design for a detachable goods lifting arm, as shown and described.

DESCRIPTION

FIG. 1 is a side perspective view of a detachable goods lifting arm, showing my new design;
FIG. 2 is a side perspective view opposite that shown in FIG. 1;
FIG. 3 is a rear elevational view thereof; and,
FIG. 4 is a front elevational view thereof.



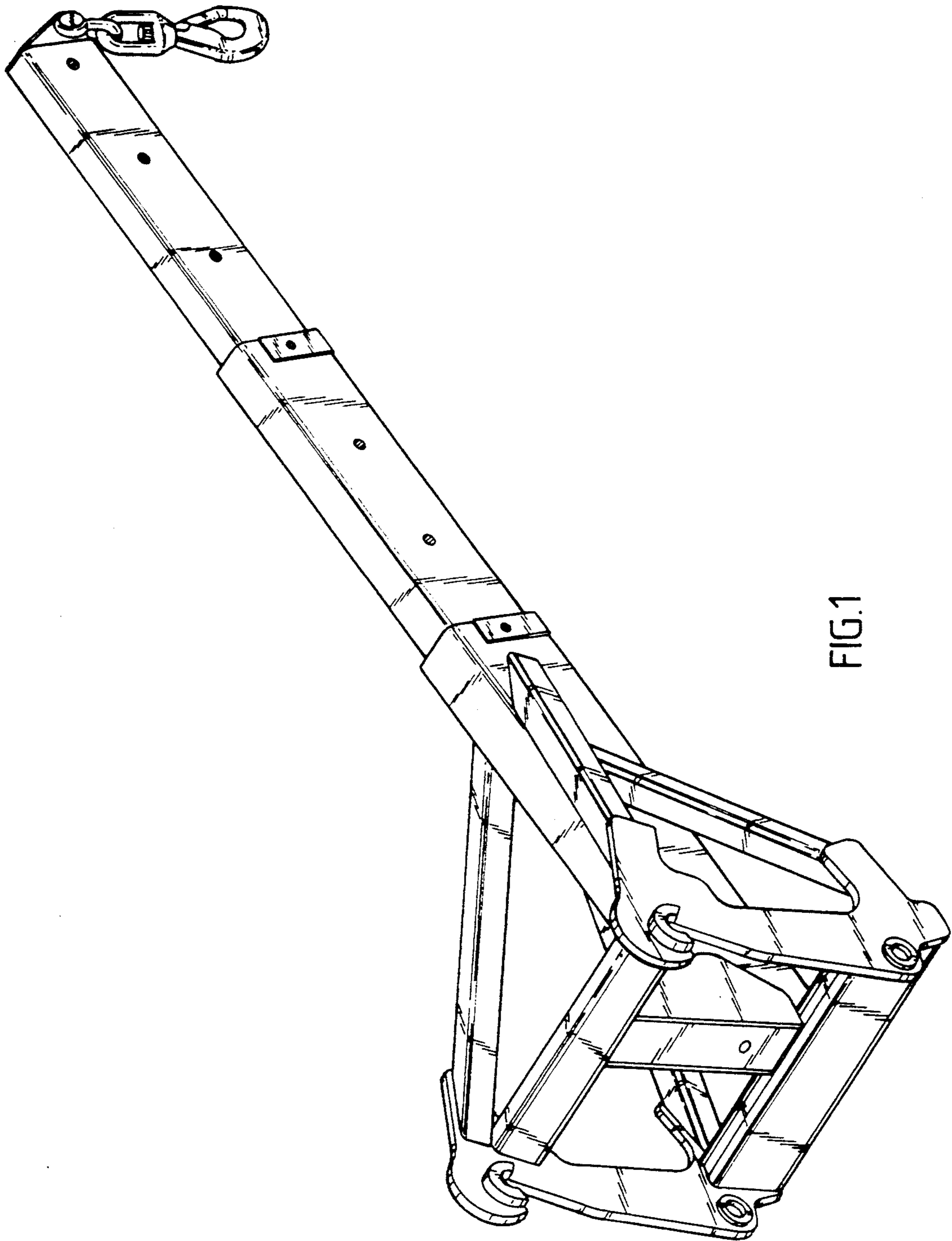


FIG.1

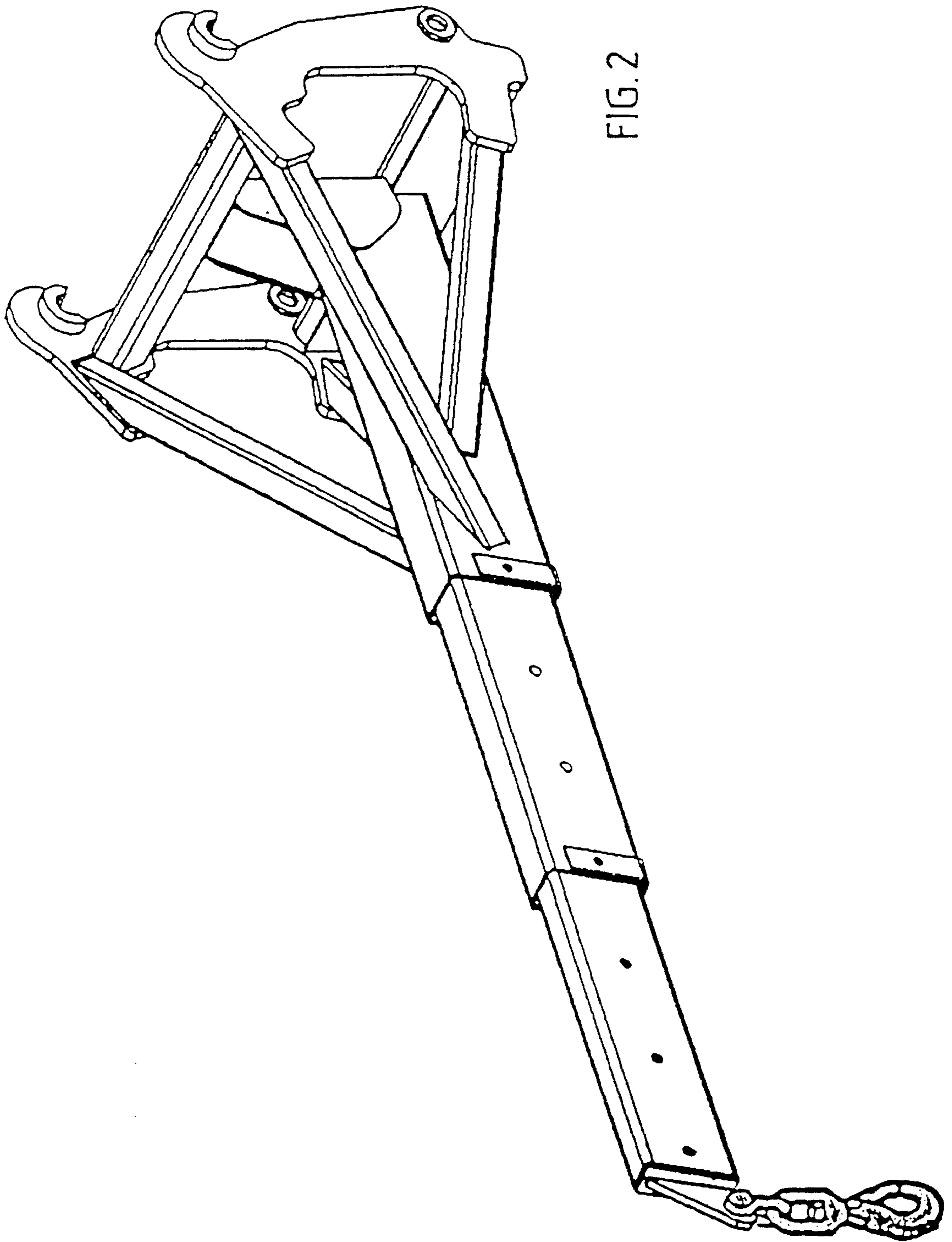


FIG. 2

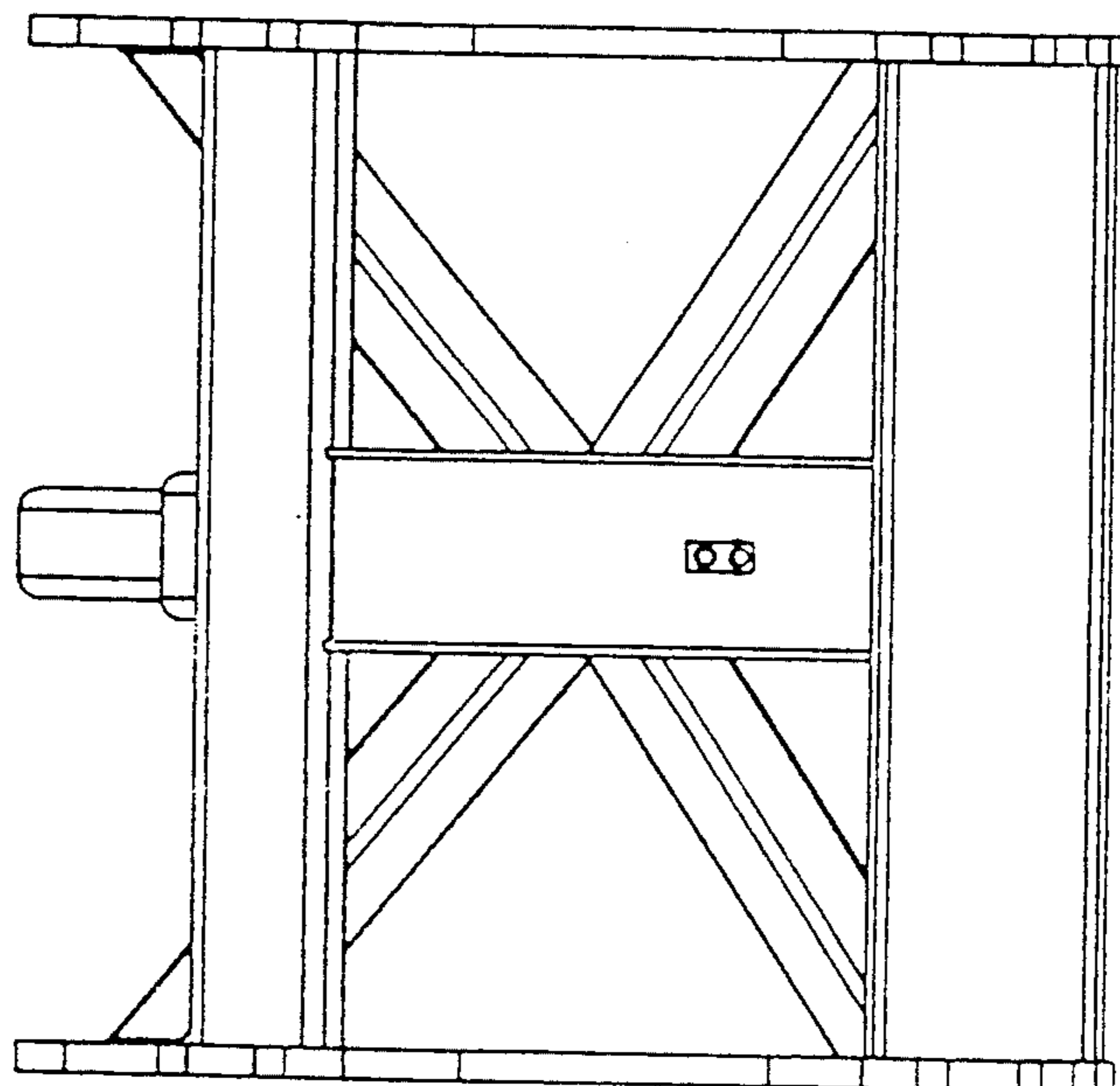


FIG. 3

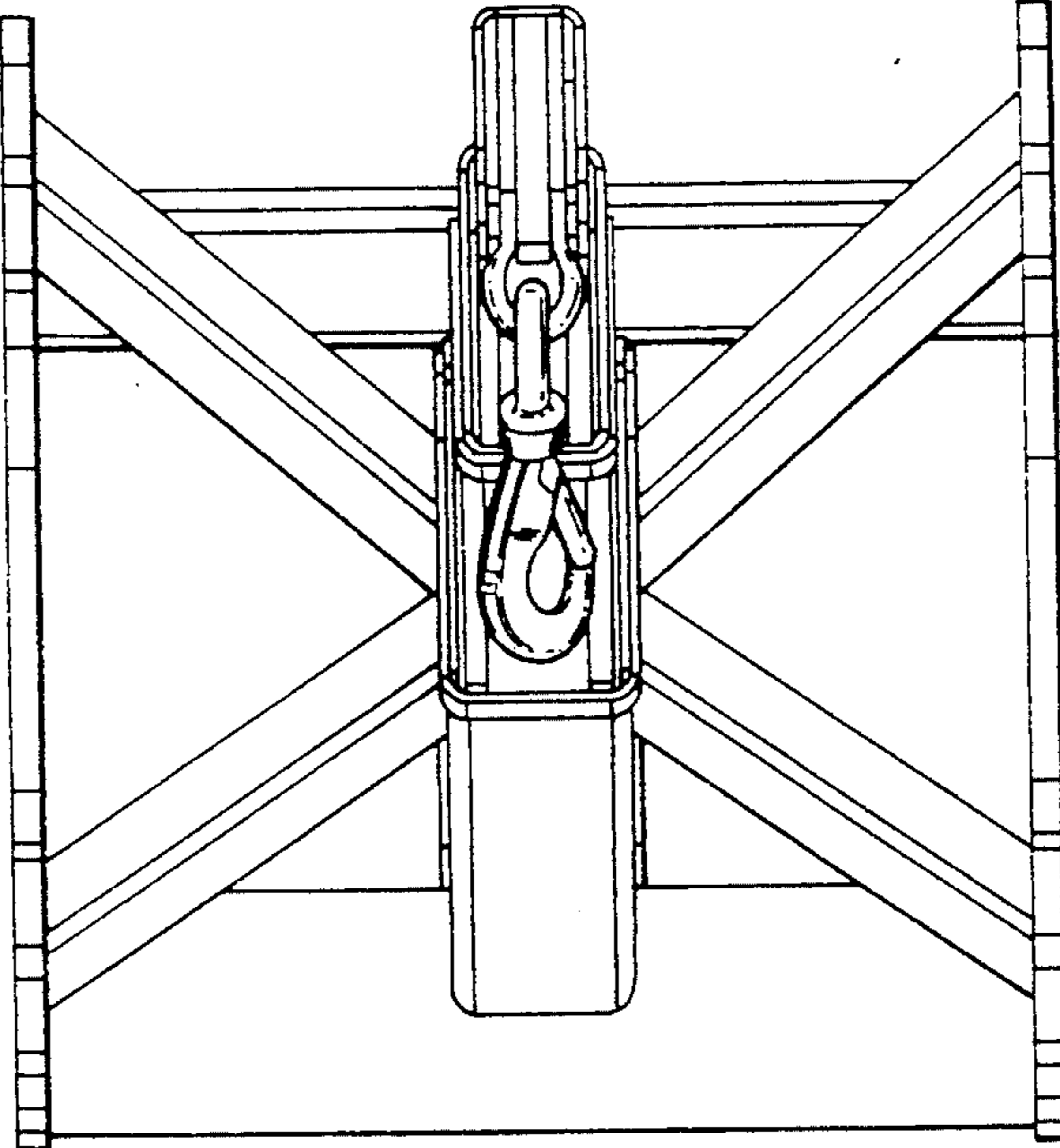


FIG. 4