



US00D346473S

# United States Patent [19] Hubble

[11] Patent Number: **Des. 346,473**

[45] Date of Patent: **\*\* Apr. 26, 1994**

[54] **SHOPPING CART**

[76] Inventor: **Kenneth W. Hubble**, P.O. Box 307,  
Shelbyville, Tex. 75973

[\*\*] Term: **14 Years**

[21] Appl. No.: **945,350**

[22] Filed: **Sep. 16, 1992**

[52] U.S. Cl. .... **D34/19; D34/17**

[58] Field of Search ..... 280/33.992, 33.991,  
280/47.34; D34/12, 17, 18, 19, 27

[56] **References Cited**

**U.S. PATENT DOCUMENTS**

3,909,034 9/1975 Trubiano ..... 280/47.34  
4,678,195 7/1987 Trubiano ..... 280/33.992

**FOREIGN PATENT DOCUMENTS**

622539 6/1961 Canada ..... 280/47.34

*Primary Examiner*—Kay H. Chin  
*Attorney, Agent, or Firm*—S. Michael Bender

[57] **CLAIM**

The ornamental design for a shopping cart, as shown and described.

**DESCRIPTION**

FIG. 1 is a left side elevational view of a shopping cart showing my new design;  
FIG. 2 is a right side elevational view thereof;  
FIG. 3 is a front elevational view thereof;  
FIG. 4 is a rear elevational view thereof;  
FIG. 5 is a top plan view thereof;  
FIG. 6 is a bottom plan view thereof; and,  
FIG. 7 is a left side elevational view thereof with the umbrella in closed condition.

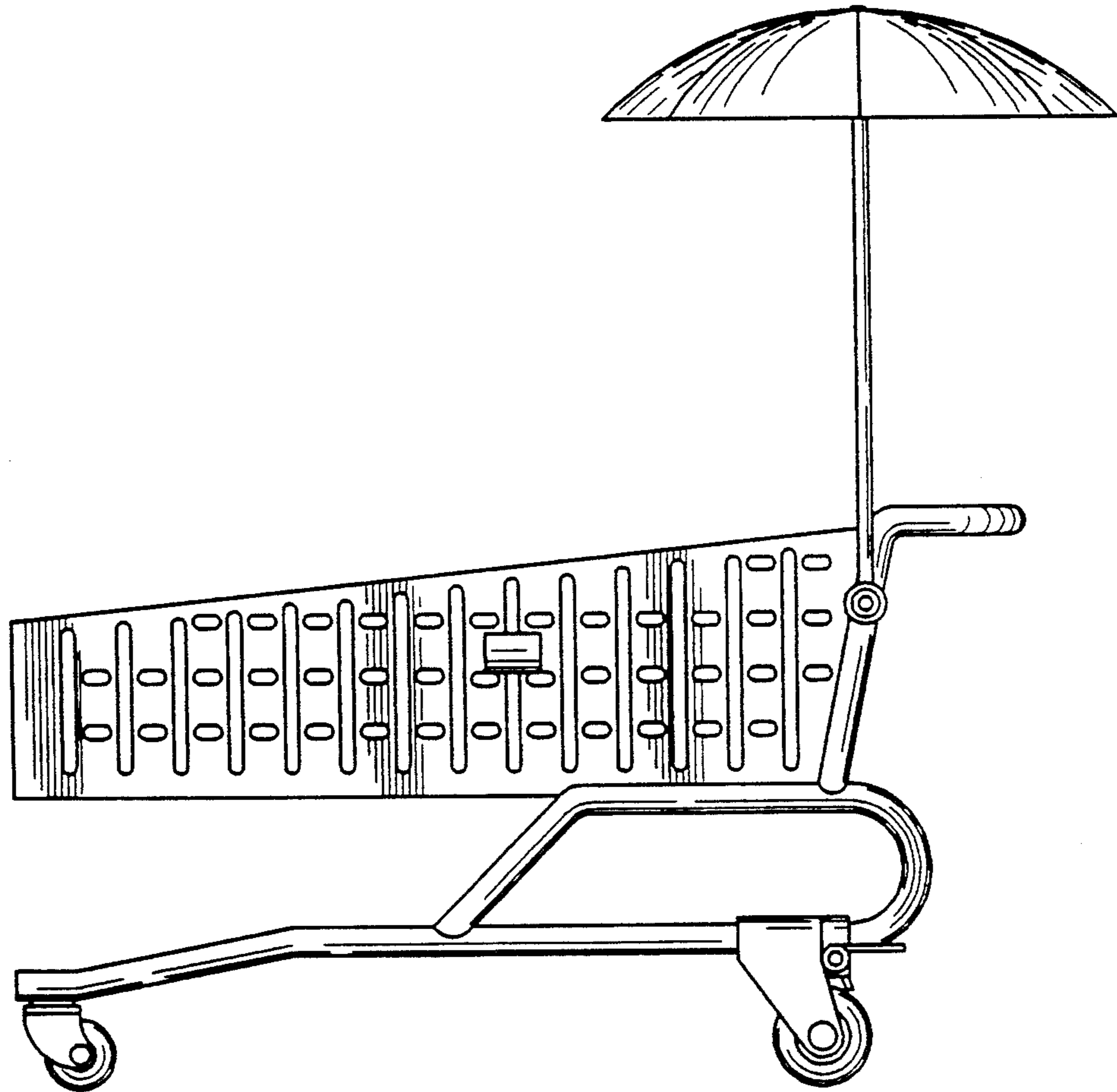


FIG. 1

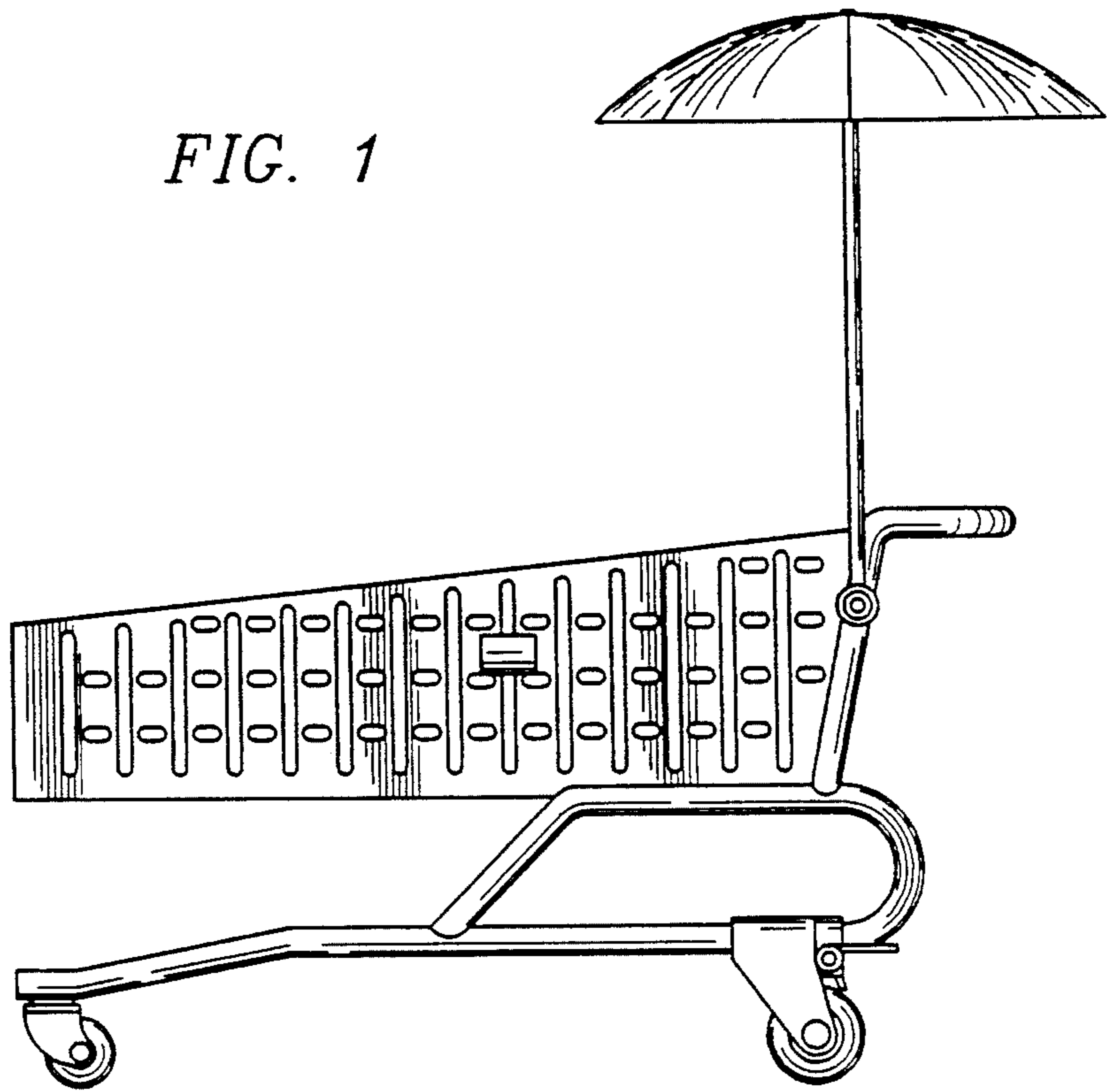


FIG. 2

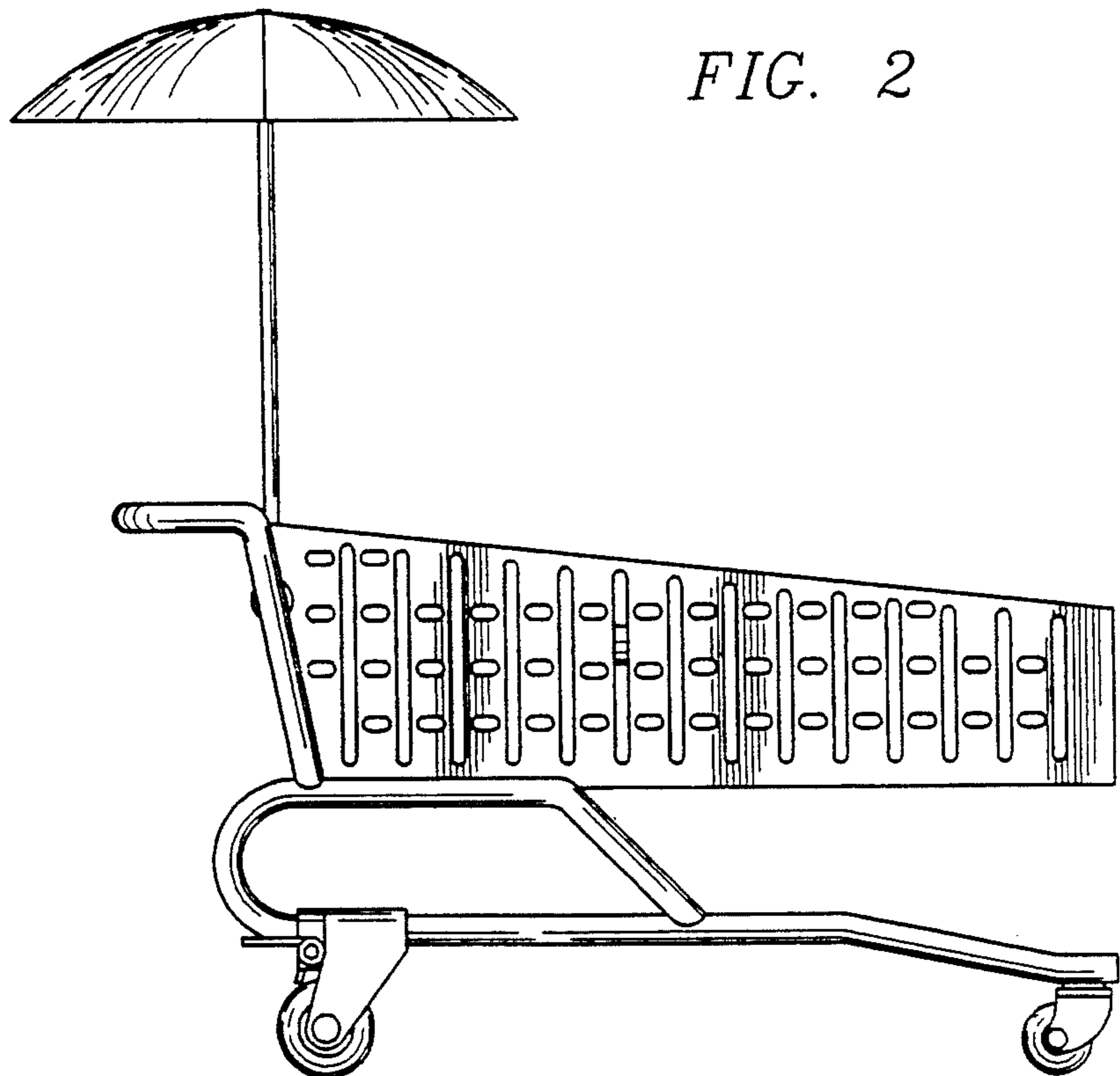


FIG. 3

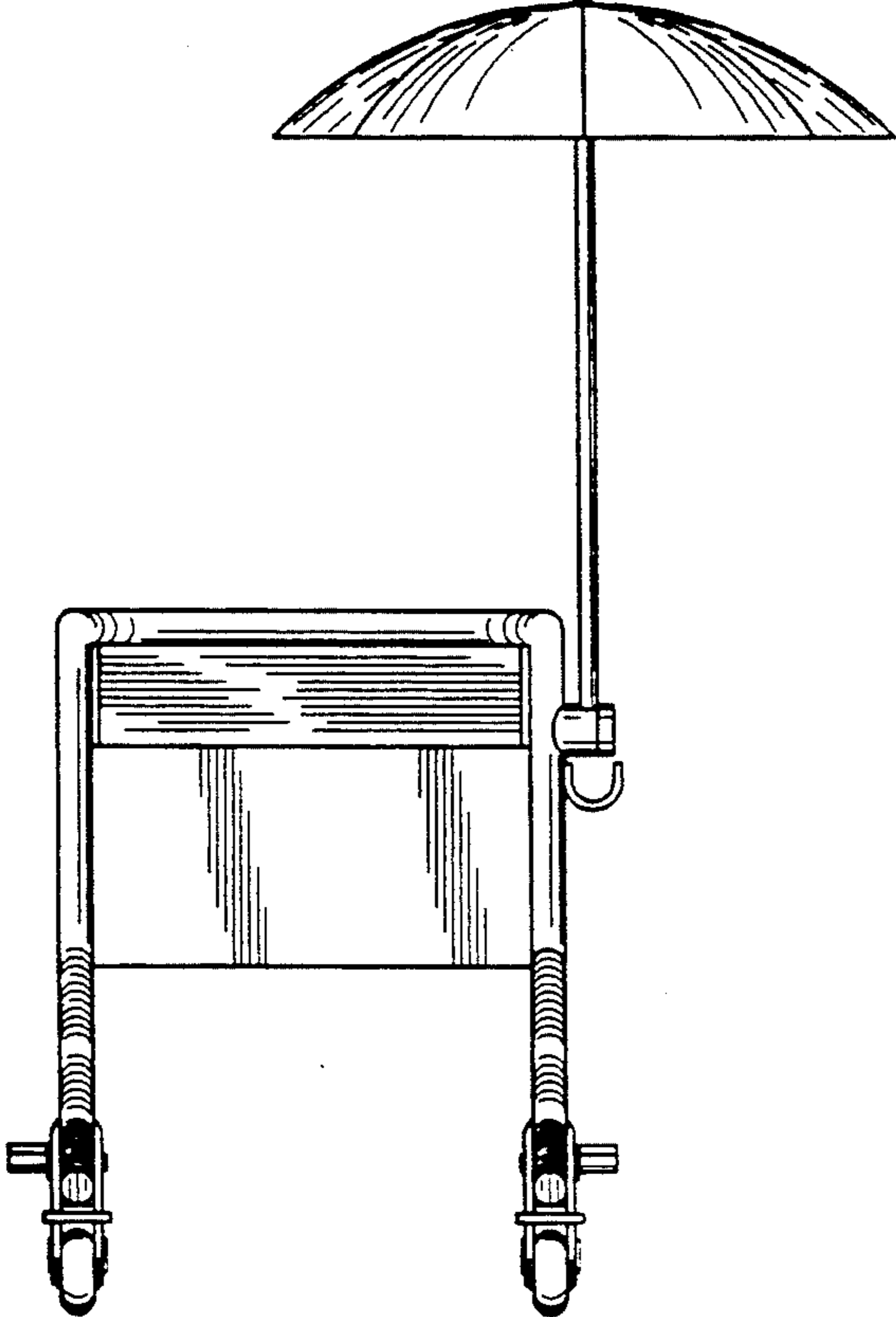


FIG. 4

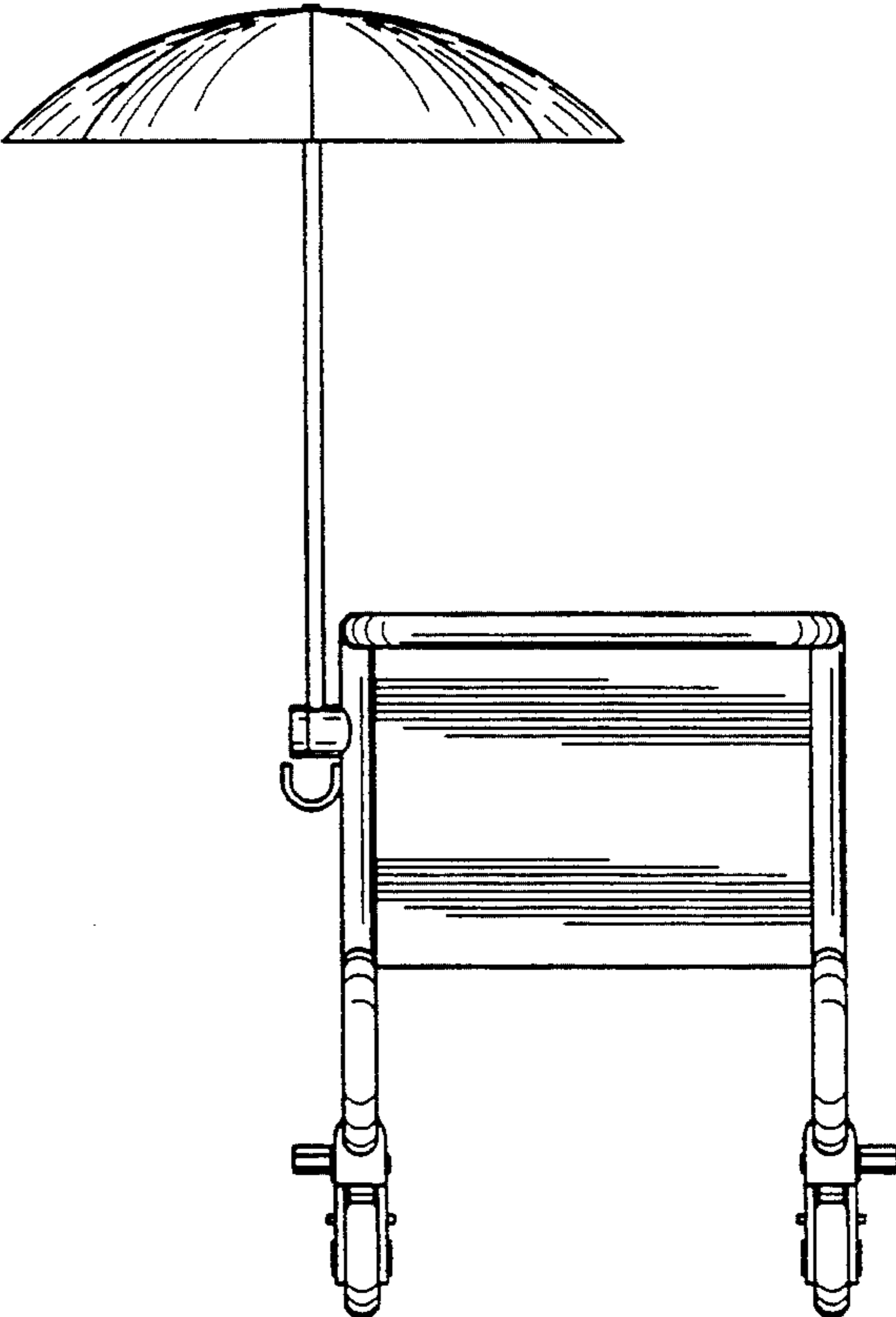


FIG. 5

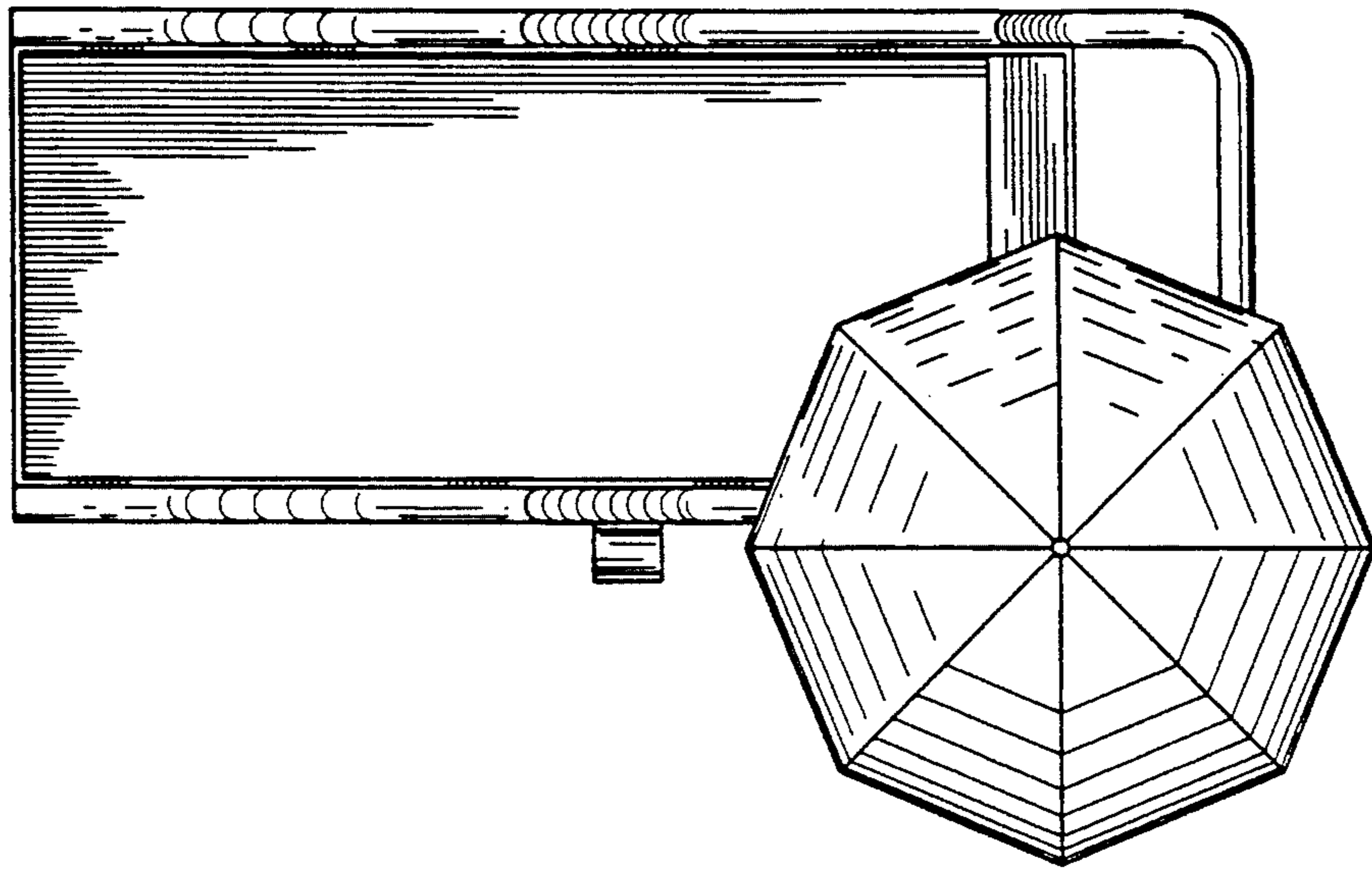


FIG. 6

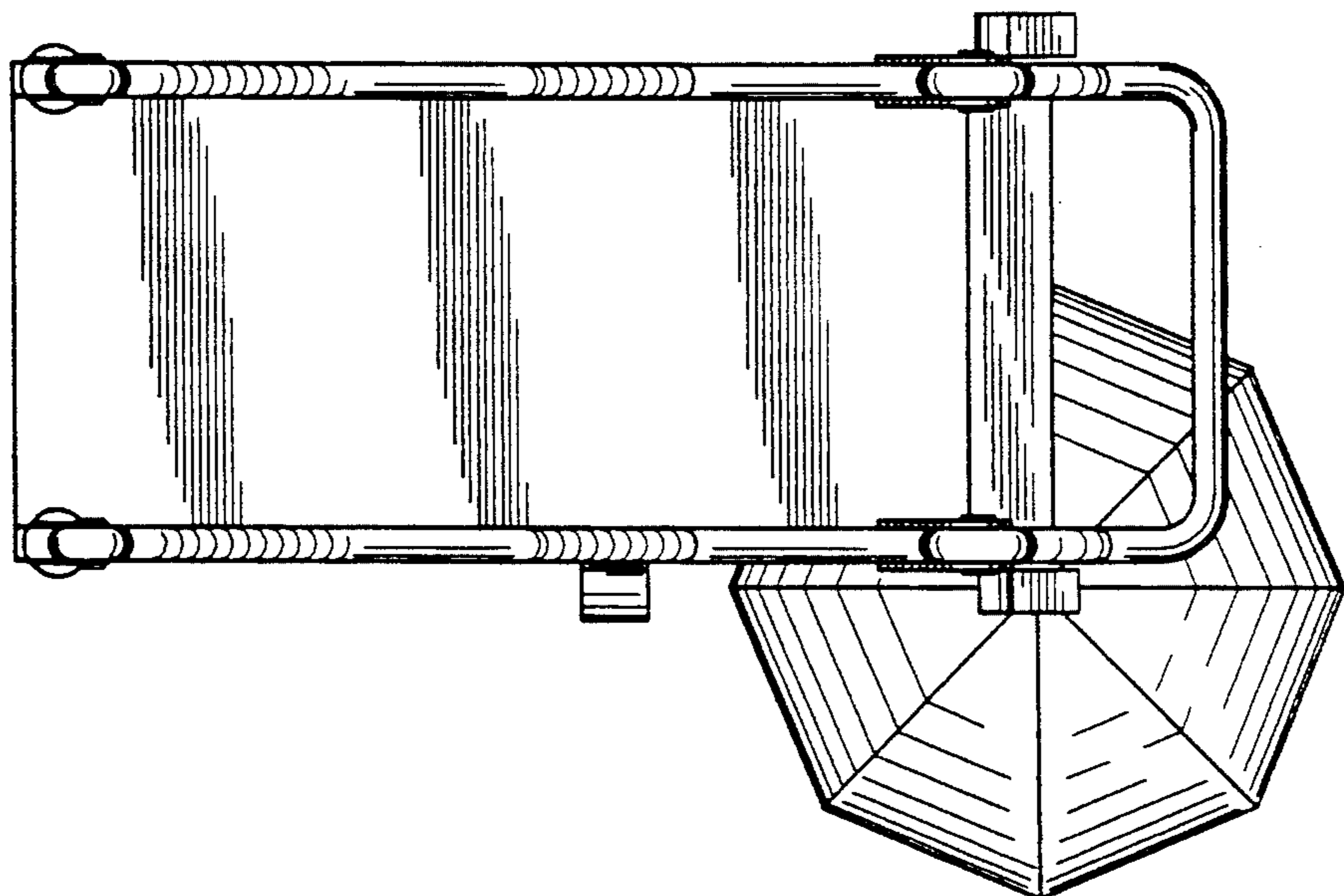


FIG. 7

