



US00D346470S

United States Patent [19]

[11] Patent Number: **Des. 346,470**

Zahuranec et al.

[45] Date of Patent: **** Apr. 26, 1994**

[54] **CARPET SWEEPER**

[75] Inventors: **Terry L. Zahuranec, Hudson; Craig M. Saunders, Rocky River, both of Ohio**

[73] Assignee: **Royal Appliance Mfg. Co., Cleveland, Ohio**

[**] Term: **14 Years**

[21] Appl. No.: **731,704**

[22] Filed: **Jul. 17, 1991**

[52] U.S. Cl. **D32/38**

[58] Field of Search 15/41.1, 42-48, 15/323-326, 327.6, 335, 350-351, 361, 377, 412; D32/21-22, 32-34, 38-39

[56] **References Cited**

U.S. PATENT DOCUMENTS

D. 256,878	9/1980	Kubota et al. .	
D. 283,455	4/1986	Slany	D32/38
D. 285,735	9/1986	Hanyu	D32/38
D. 312,154	11/1990	Kuroda	D32/38
D. 317,067	5/1991	Kuroda	D32/38

3,628,211	12/1971	Fukuba	15/48
3,665,540	5/1972	Leifheit et al.	15/45
3,818,532	6/1974	Leifheit et al.	15/42
4,085,283	4/1978	Rosendall	15/48
4,095,304	6/1978	Shinozaki et al.	15/48
4,124,913	11/1982	Rosendall	15/42
4,357,727	11/1982	McDowell	15/41 R

Primary Examiner—Ruth McInroy
Attorney, Agent, or Firm—Fay, Sharpe, Beall, Fagan, Minnich & McKee

[57] **CLAIM**

The ornamental design for a carpet sweeper, as shown and described.

DESCRIPTION

FIG. 1 is a perspective view of a carpet sweeper showing our new design;
FIG. 2 is a top plan view thereof;
FIG. 3 is a front elevational view thereof;
FIG. 4 is a rear elevational view thereof;
FIG. 5 is a bottom plan view thereof;
FIG. 6 is a right side elevational view thereof; and,
FIG. 7 is a left side elevational view thereof.

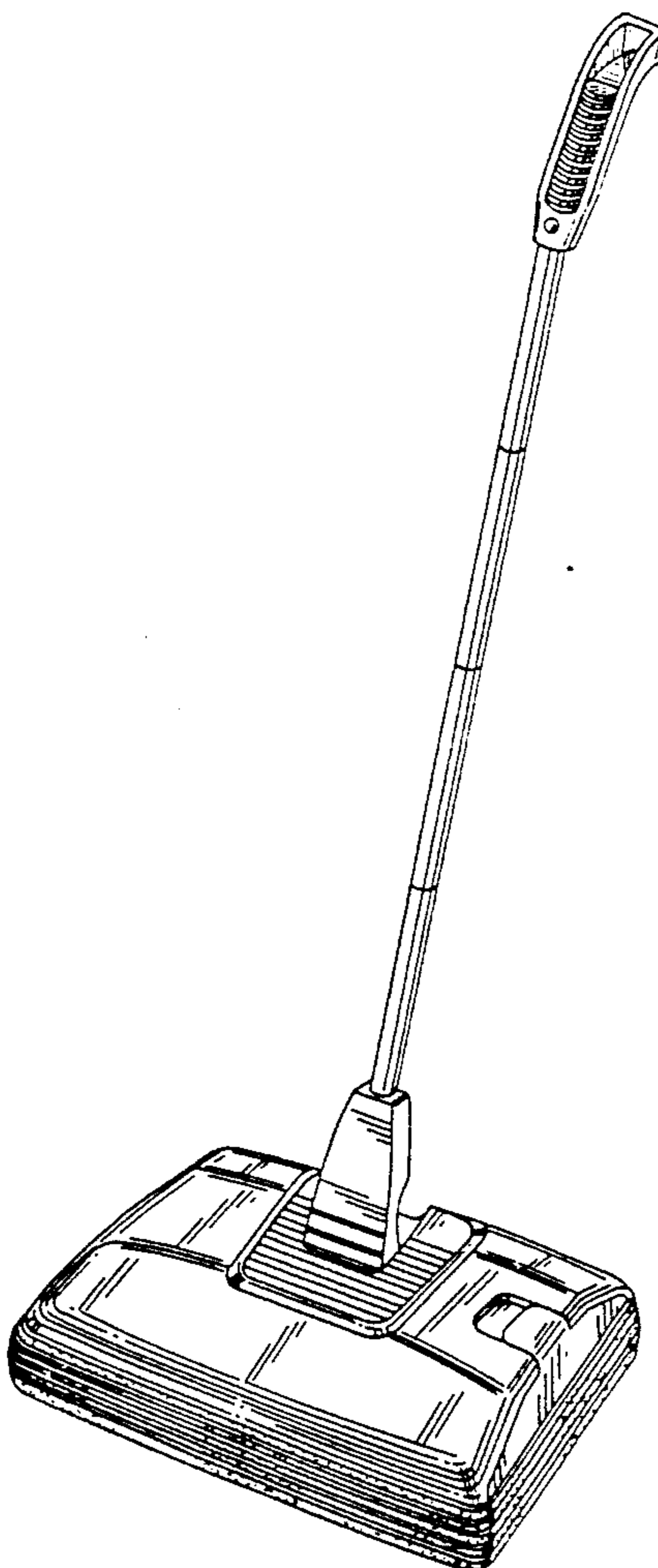
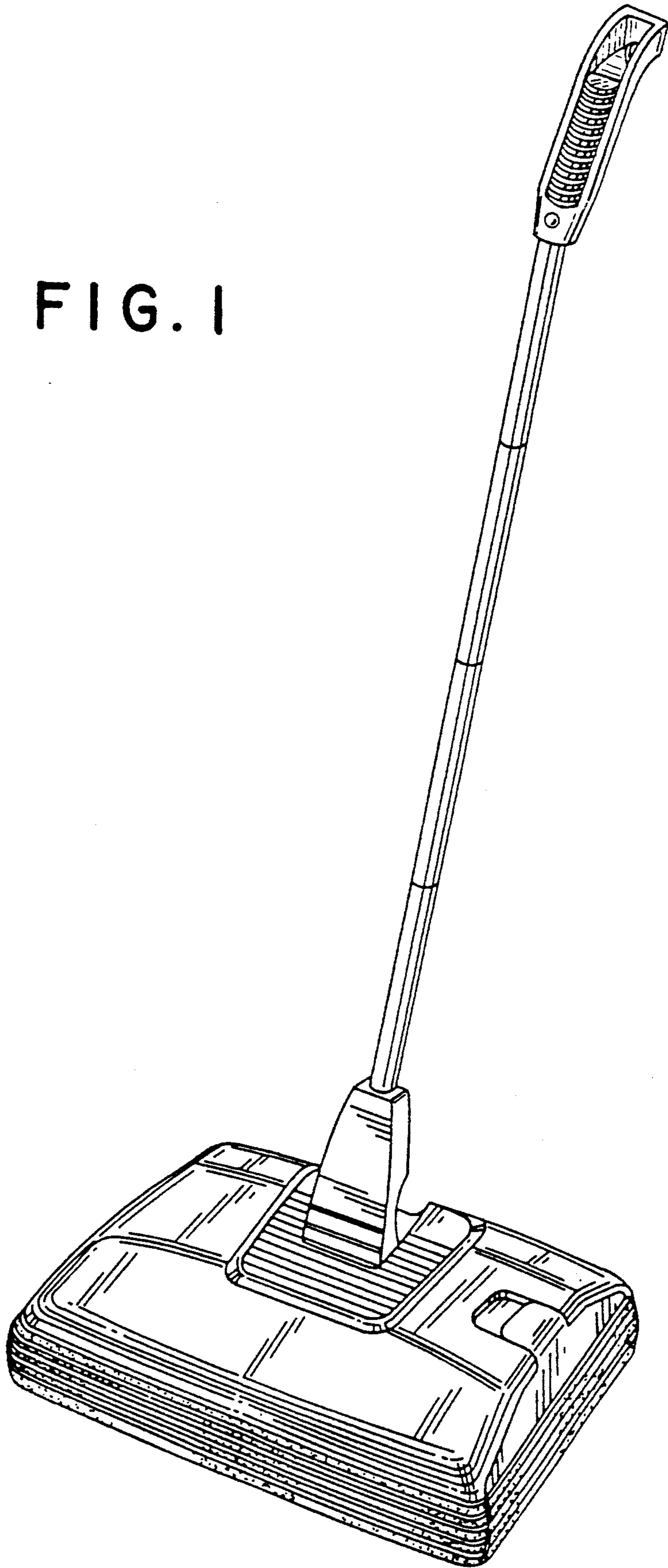


FIG. 1



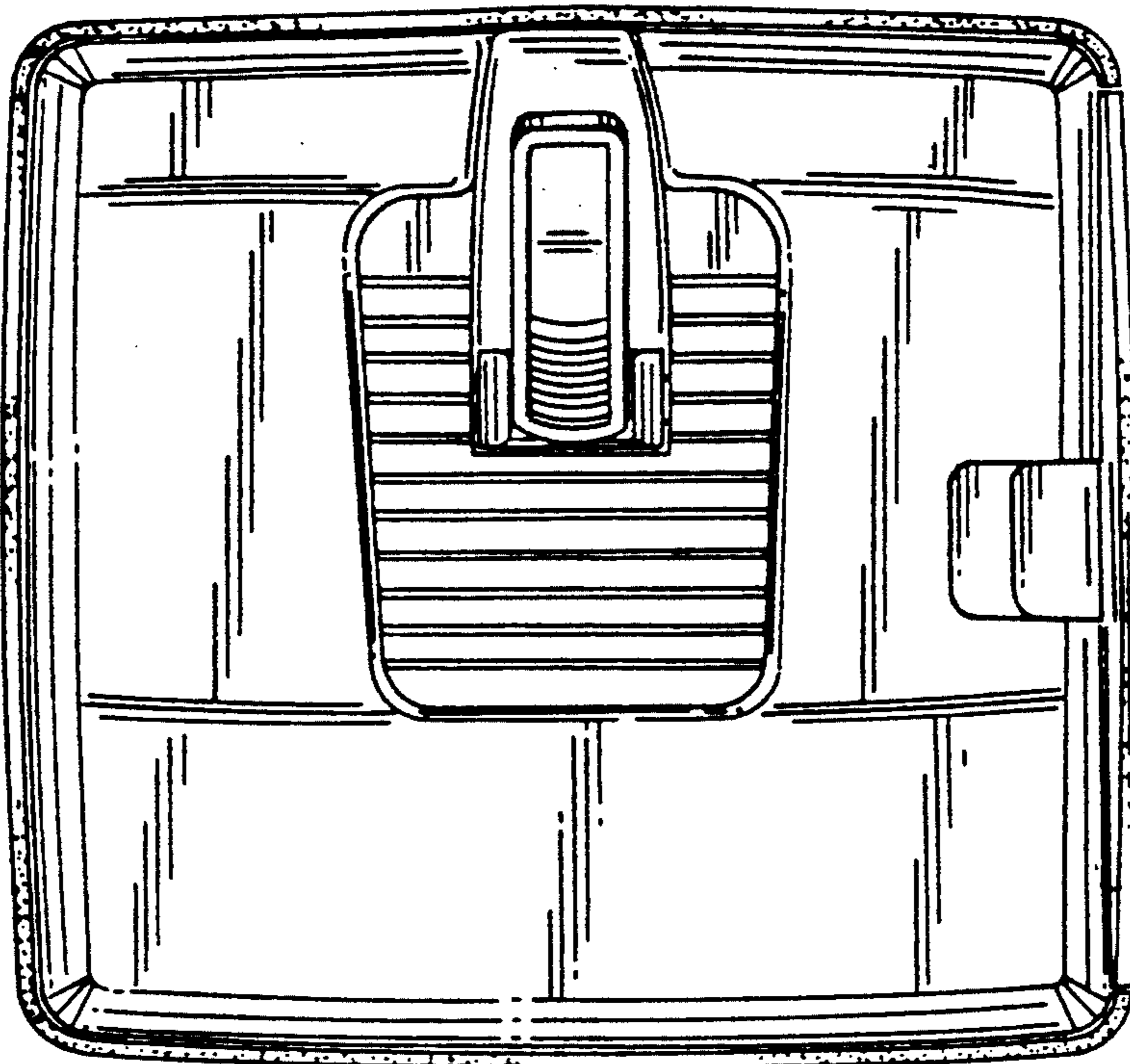


FIG. 2

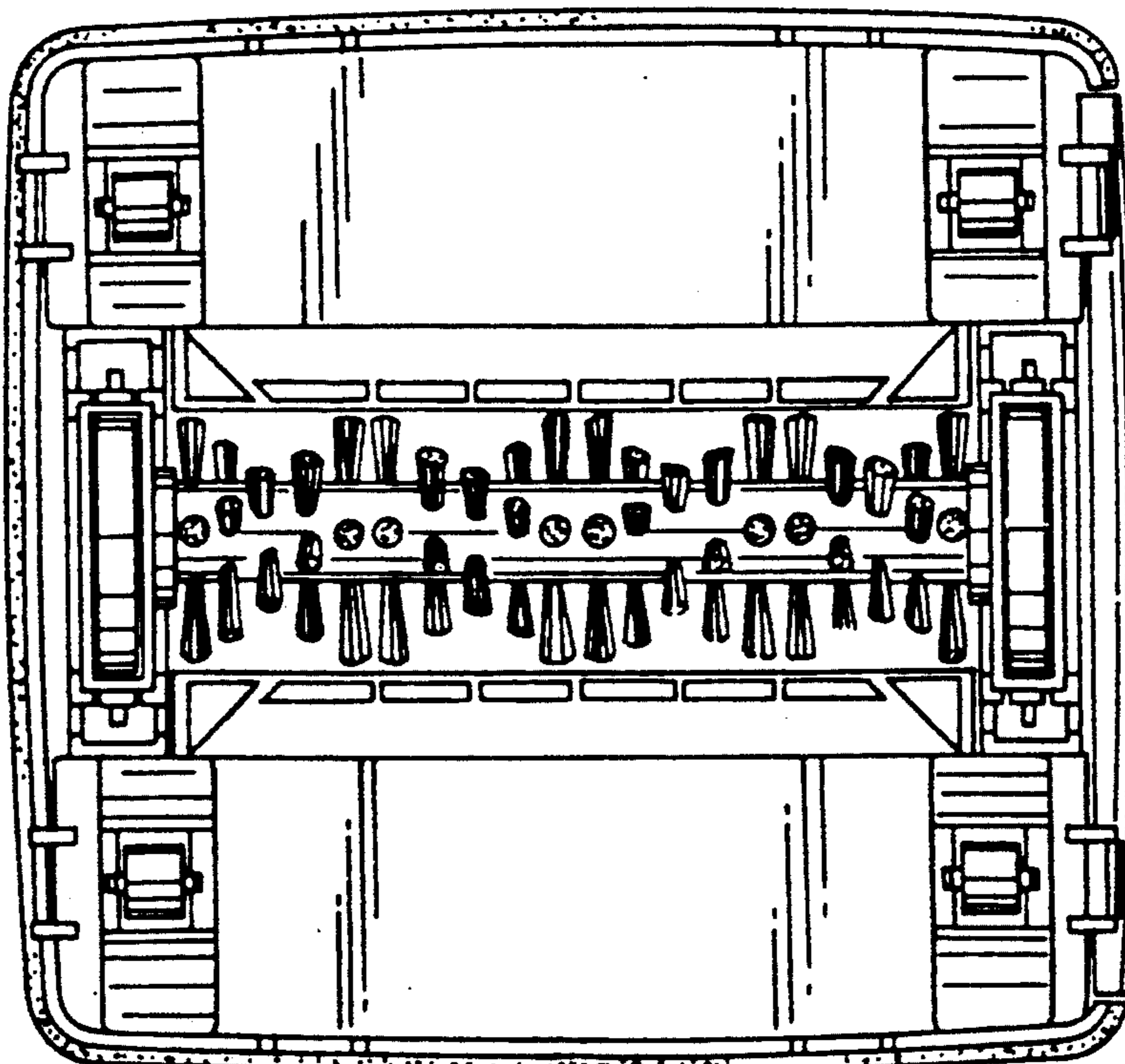


FIG. 5

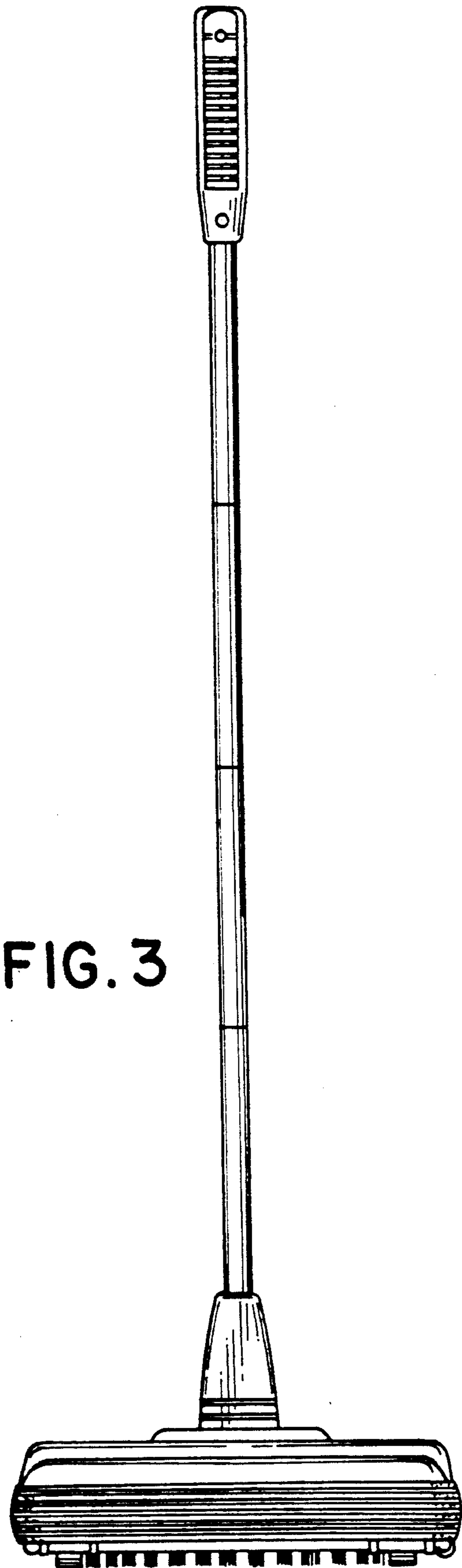


FIG. 3

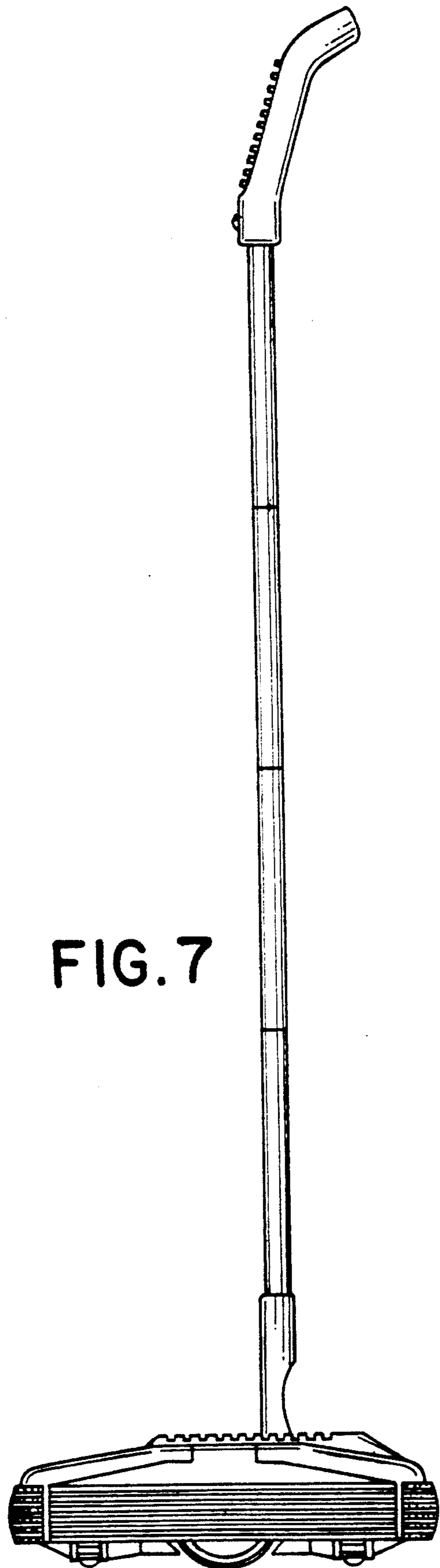


FIG. 7

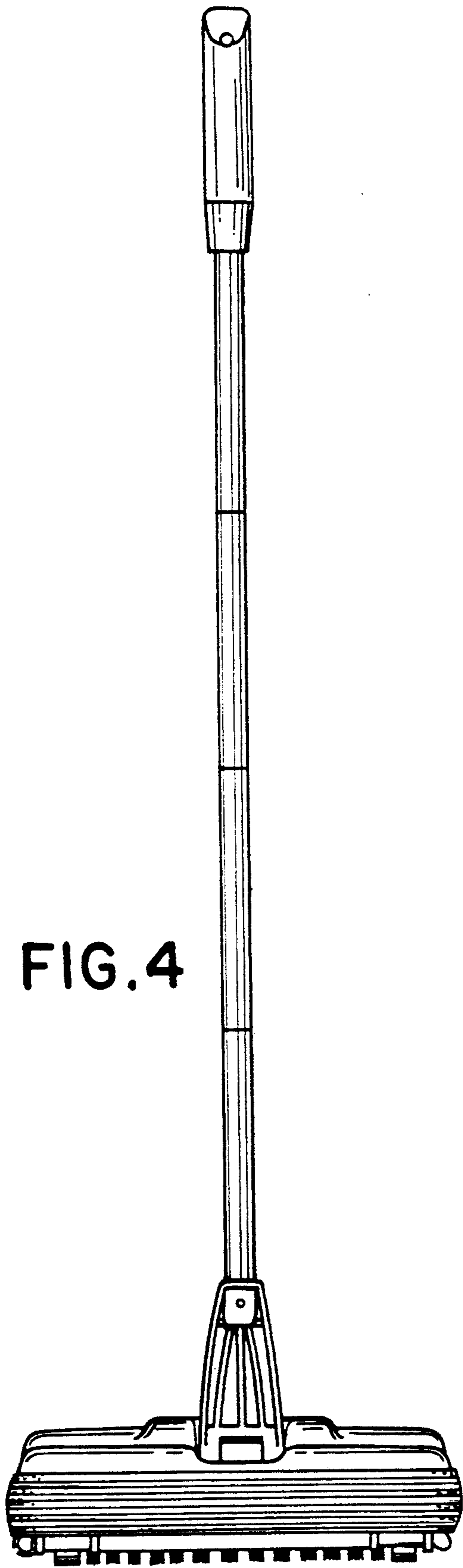


FIG. 4

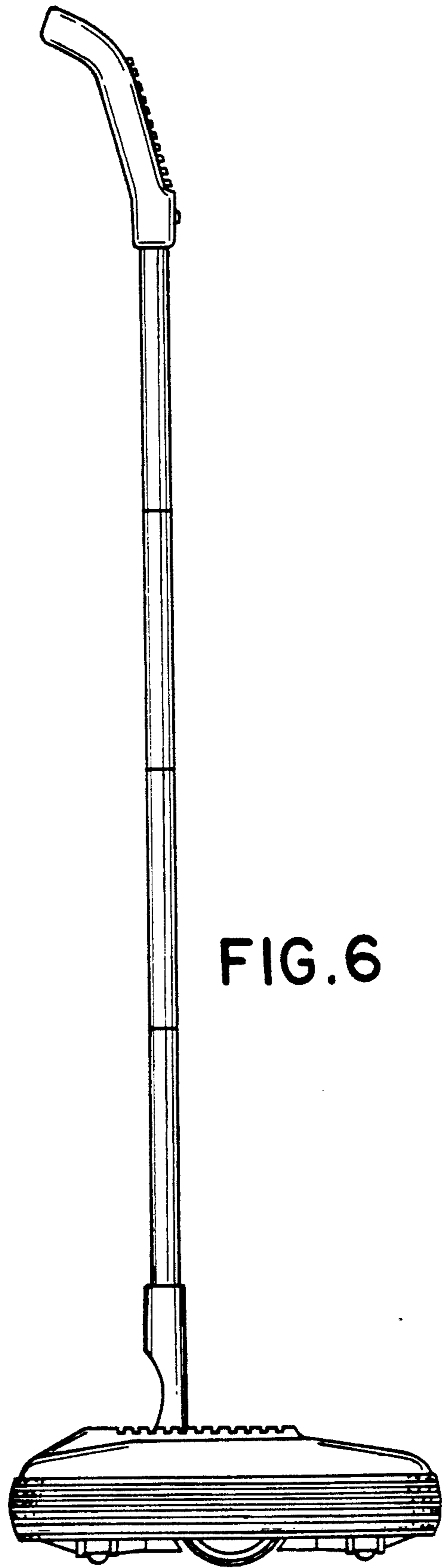


FIG. 6