



US00D346469S

United States Patent [19]

[11] Patent Number: **Des. 346,469**

Furcron et al.

[45] Date of Patent: **** Apr. 26, 1994**

[54] **UPRIGHT VACUUM CLEANER**
[75] Inventors: **Kent J. Furcron**, Blountville, Tenn.;
Mark D. Dziersk, Simsbury, Conn.

[73] Assignee: **TRC Acquisiton Corporation**,
Atlanta, Ga.

[**] Term: **14 Years**

[21] Appl. No.: **819,501**

[22] Filed: **Jan. 10, 1992**

[52] U.S. Cl. **D32/22**

[58] Field of Search 15/323-326,
15/327.6, 331-336, 337, 347, 350-351, 361, 377,
412, 413, 415.1; D32/21-22, 31-34

[56] **References Cited**

U.S. PATENT DOCUMENTS

D. 263,235	3/1982	Akita	D32/22
D. 275,428	9/1984	Wareham	D32/22
D. 293,728	1/1988	Ohhira	D32/22
D. 299,176	12/1988	Bowerman et al.	D32/22
D. 301,784	6/1989	Petralia et al.	D32/22
D. 307,658	5/1990	Ikeda et al.	D32/22
D. 309,806	8/1990	Chieda et al.	D32/22
D. 314,260	1/1991	Lee	D32/22
D. 315,042	2/1991	Ikeda	D32/22
D. 316,167	4/1991	Petralia et al.	D32/22
D. 334,257	3/1993	Lawrence et al.	D32/22
2,213,792	9/1940	Dow et al.	15/6
2,876,481	3/1959	Gerber et al.	15/331
2,898,621	8/1959	Vance	15/324
3,126,570	3/1964	Green	15/331

3,634,905	1/1972	Boyd	15/350
3,675,268	7/1972	Nordeen	15/350
3,854,164	12/1974	Schmitz	15/340
4,171,553	10/1979	Stein	15/350
4,405,346	9/1983	Tschudy et al.	55/357
4,490,882	1/1985	Wells	15/337
4,514,199	4/1985	Ford et al.	55/337
4,517,705	5/1985	Hug	15/351
4,670,937	6/1987	Sumerau et al.	15/329
4,686,736	8/1987	Petralia et al.	15/332

OTHER PUBLICATIONS

"Cyclon", *Design*, Aug. 1983, cover and p. 48.
HFD, Jan. 6, 1992, pp. 3A, 4A, and 7A, New York,
New York.

Primary Examiner—Ruth McInroy
Attorney, Agent, or Firm—Jones & Askew

[57] **CLAIM**

The ornamental design for an upright vacuum cleaner,
as shown and described.

DESCRIPTION

FIG. 1 is a front, right, top perspective view of an up-
right vacuum cleaner showing my our new design;
FIG. 2 is a front elevational view thereof;
FIG. 3 is a right side elevational view thereof;
FIG. 4 is a left side elevational view thereof;
FIG. 5 is a rear elevational view thereof;
FIG. 6 is a top plan view thereof; and,
FIG. 7 is a bottom plan view thereof.
The electric cord in FIGS. 3-7 is shown broken away
and is understood to represent indeterminate length.

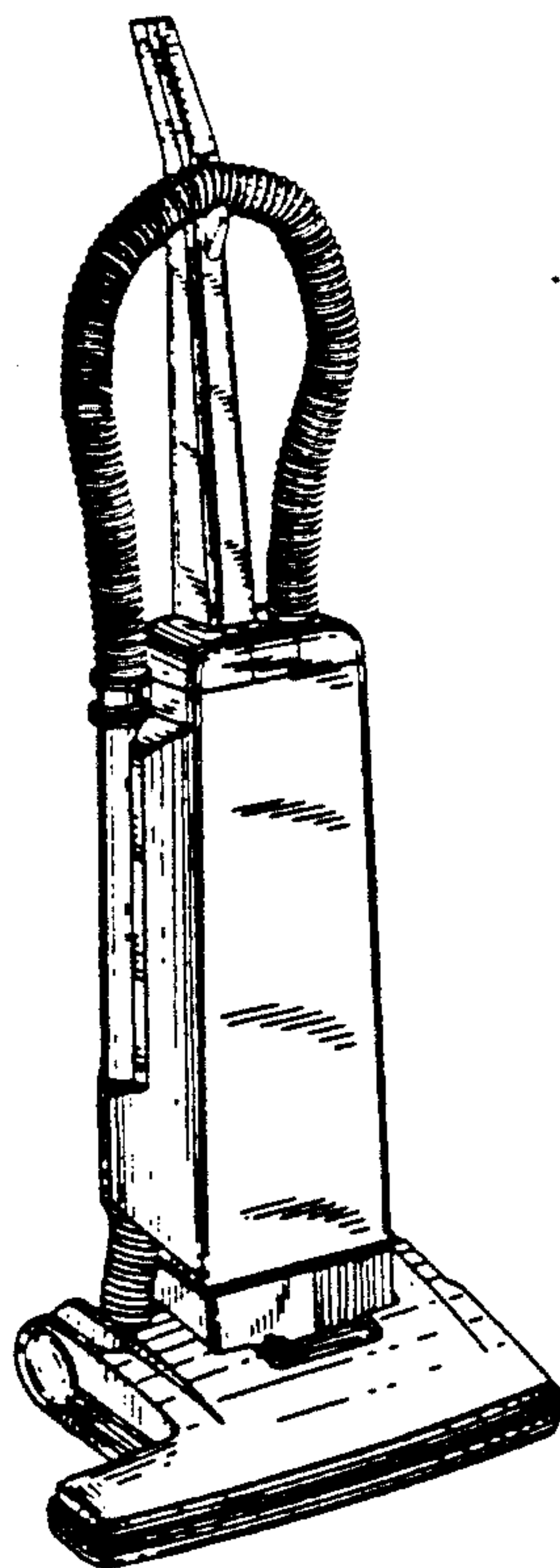


FIG. 1

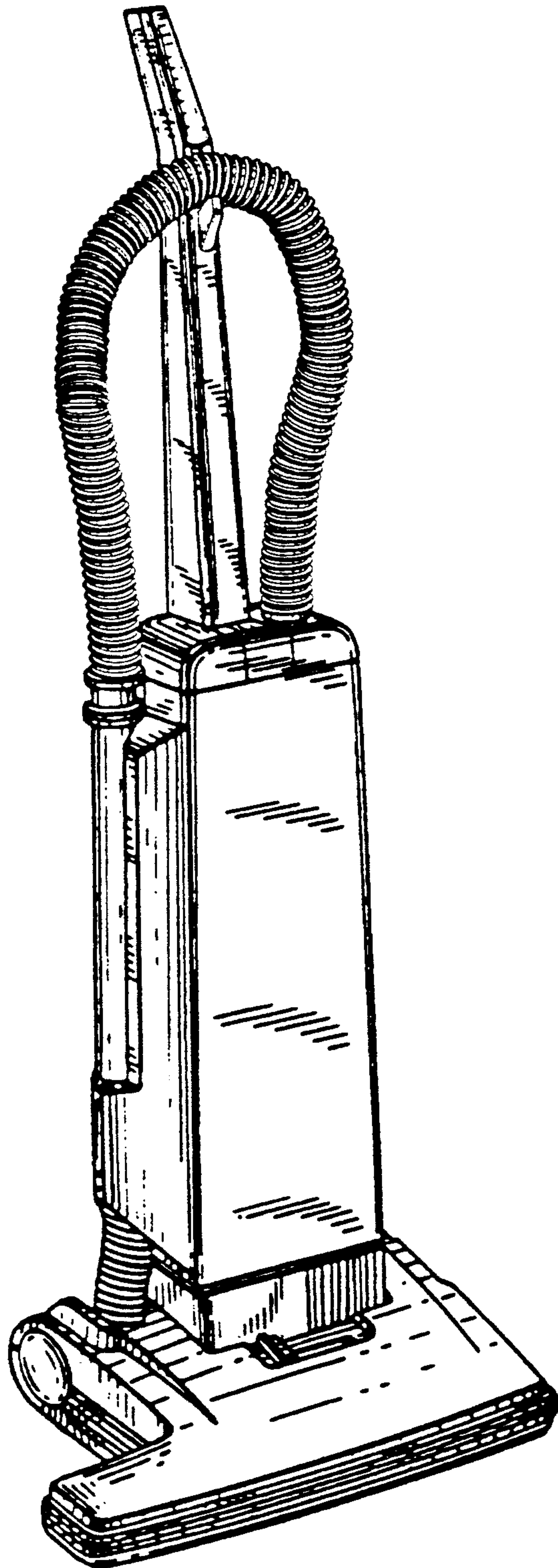


FIG. 2

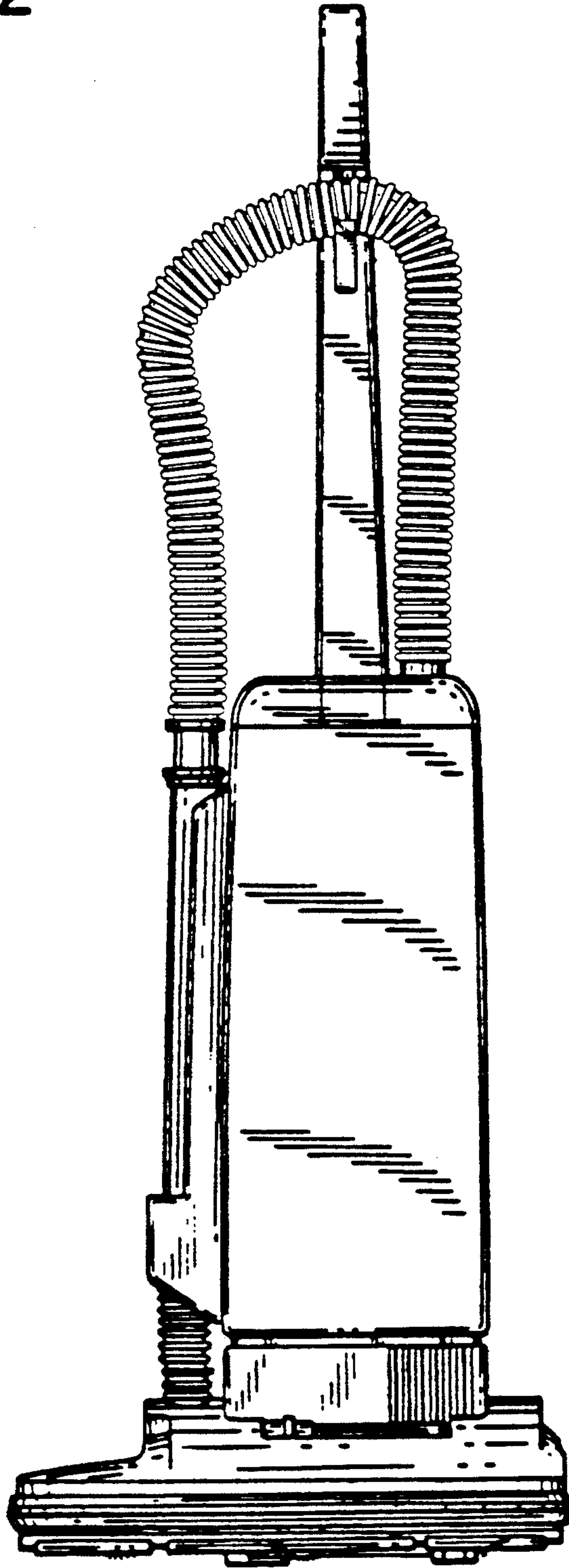


FIG. 3

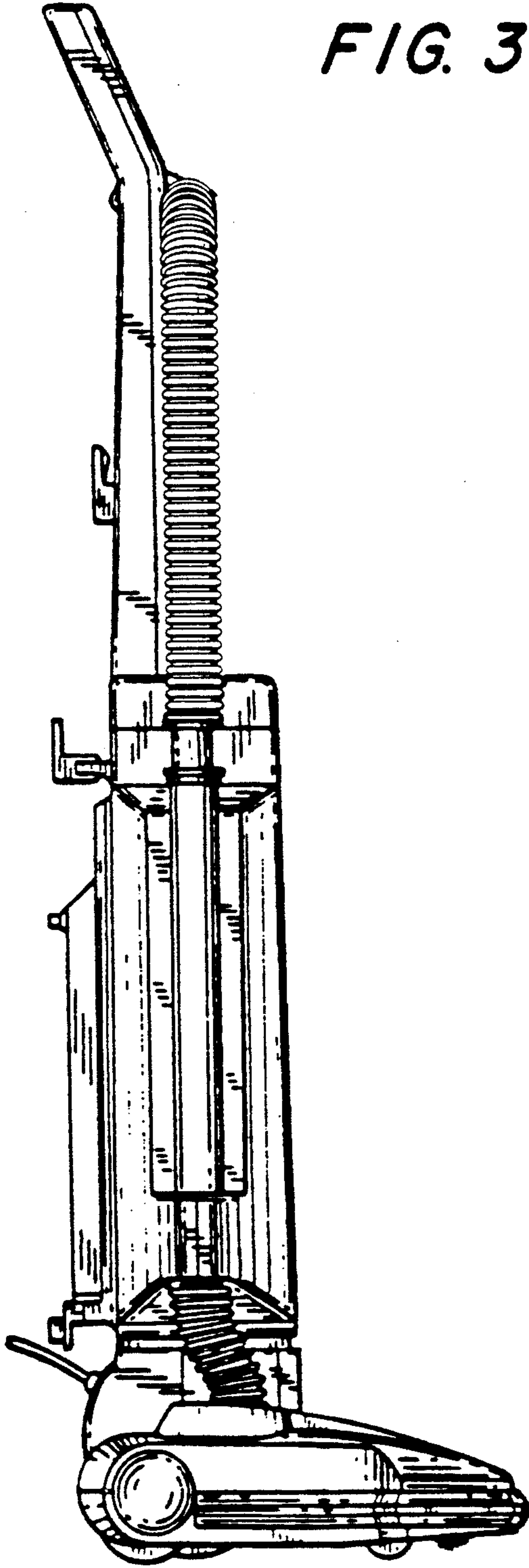


FIG. 4

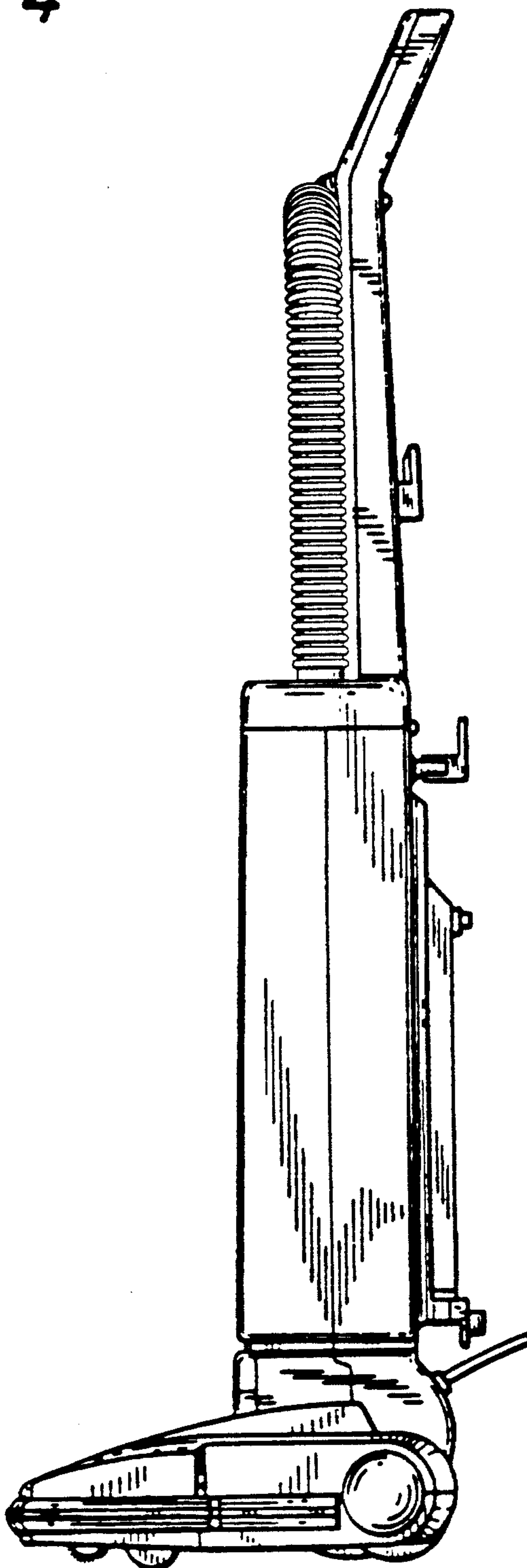
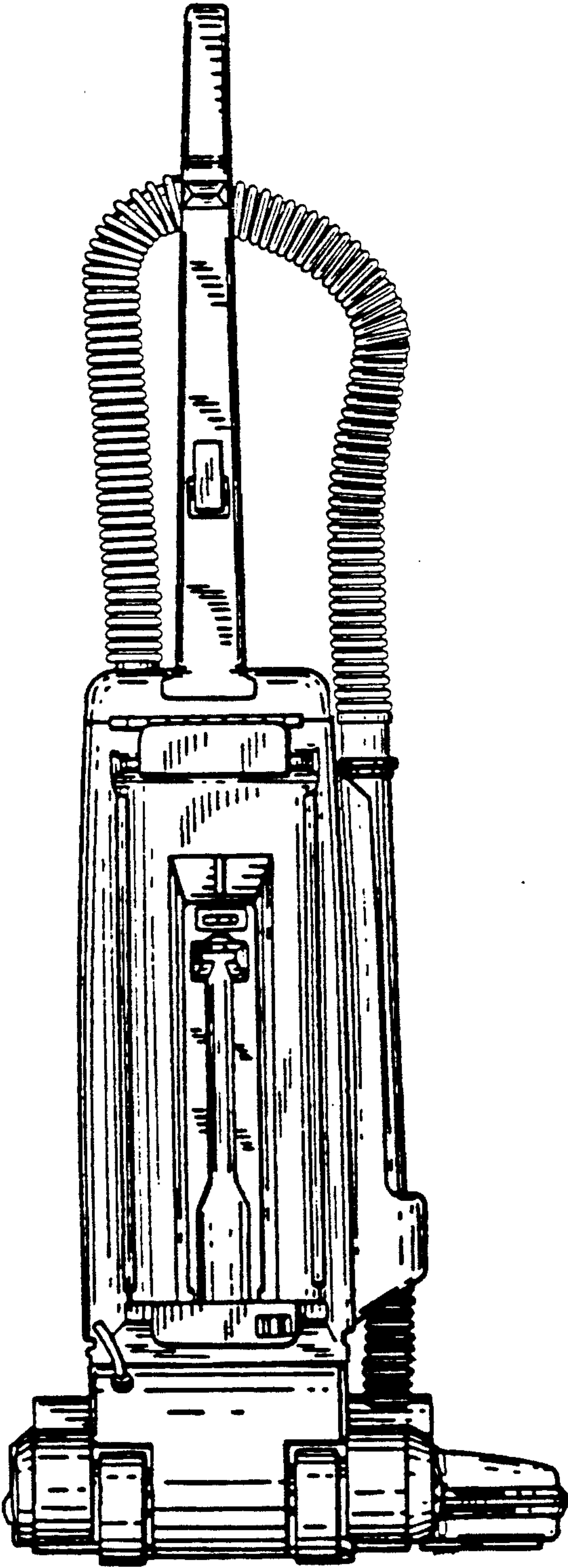


FIG. 5



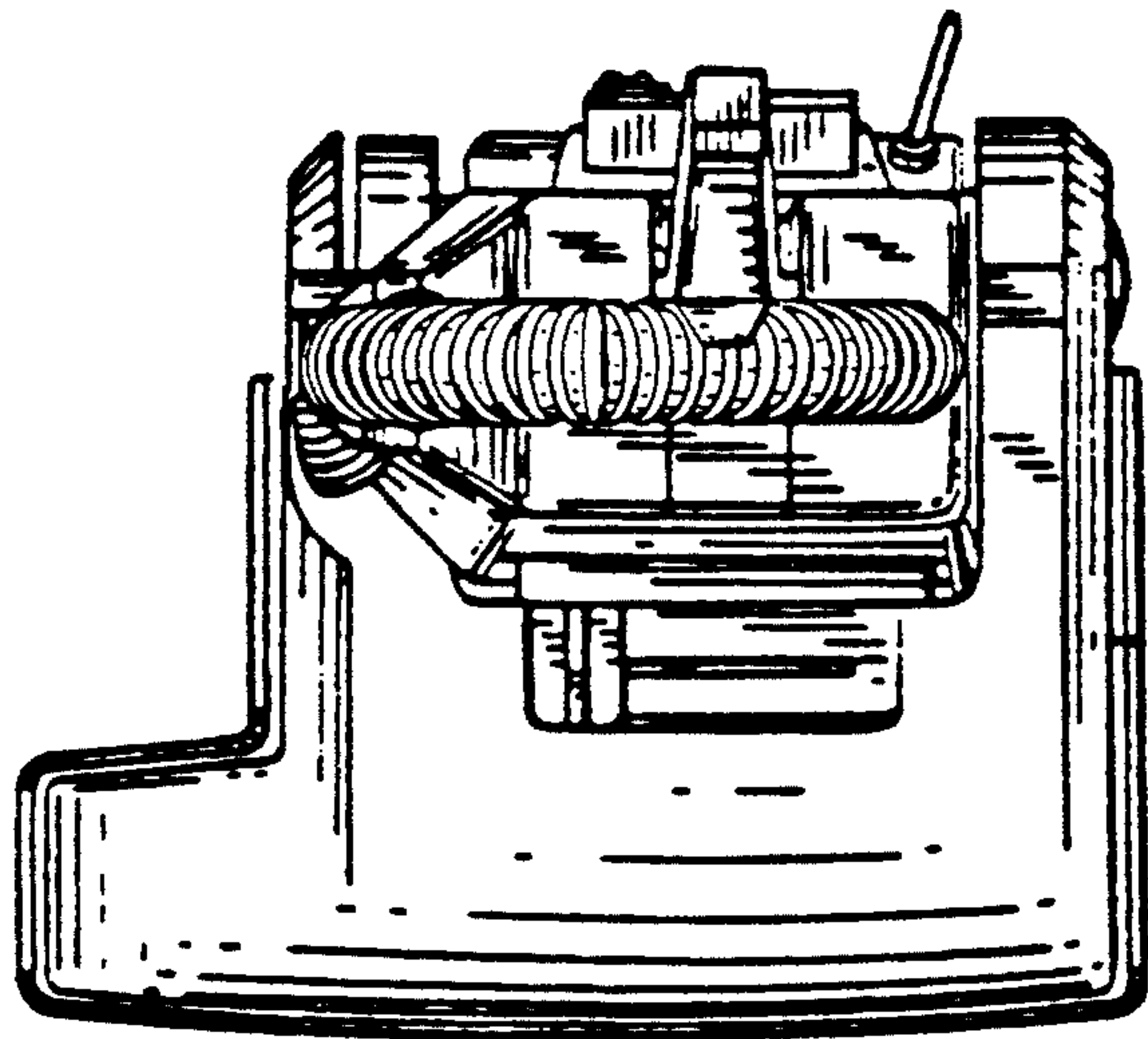


FIG. 6

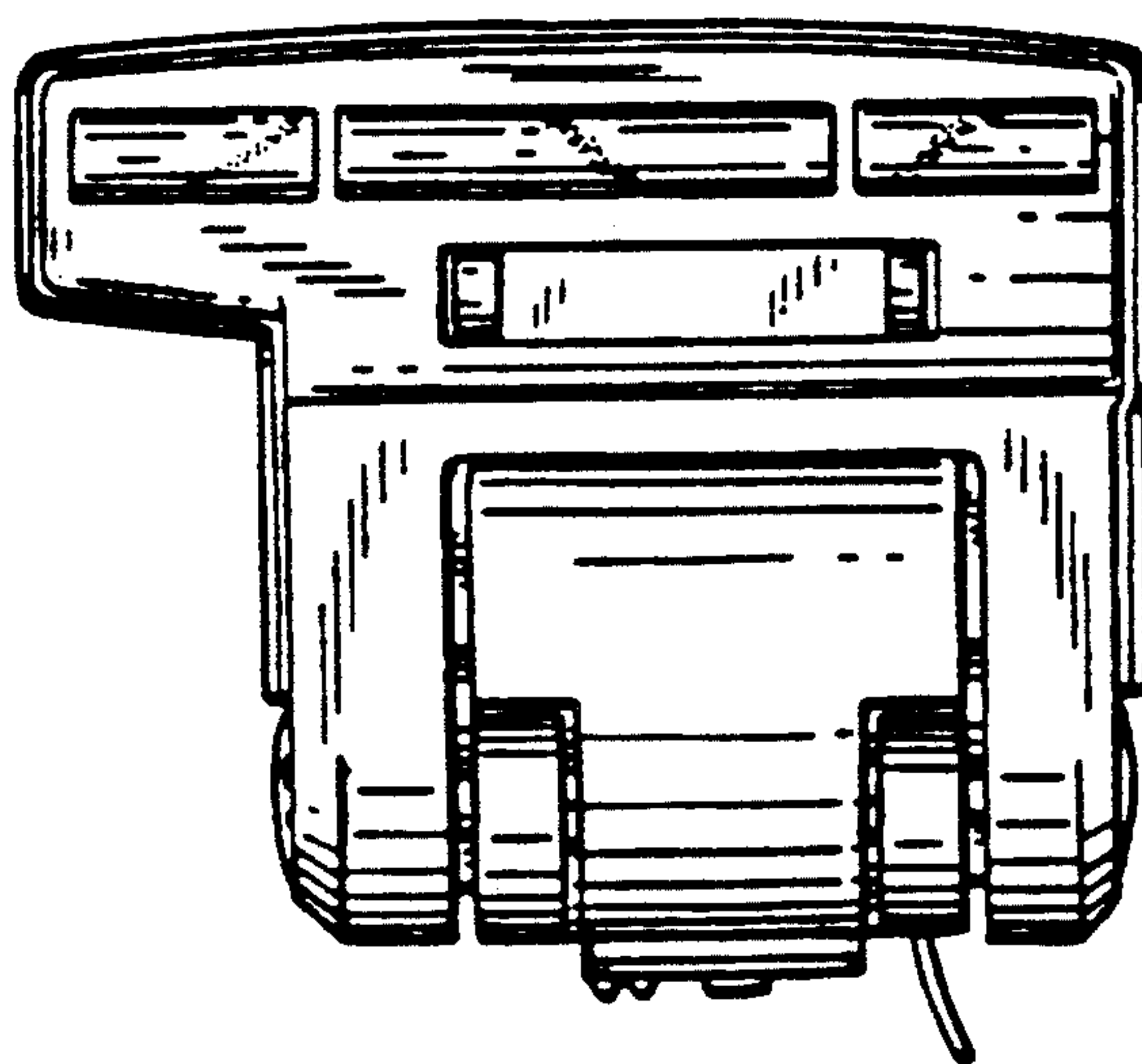


FIG. 7