



US00D346468S

# United States Patent [19]

Dusinberre et al.

[11] Patent Number: **Des. 346,468**

[45] Date of Patent: **\*\* Apr. 26, 1994**

## [54] ELECTRIC BROOM

[75] Inventors: **William L. Dusinberre**, Bluff City, Tenn.; **Robert H. Bruno**, Avon, Conn.; **Linda C. Hotz**, Rahway, N.Y.

[73] Assignee: **TRC Acquisition Corporation**, Atlanta, Ga.

[\*\*] Term: **14 Years**

[21] Appl. No.: **818,961**

[22] Filed: **Jan. 10, 1992**

[52] U.S. Cl. .... **D32/22**

[58] Field of Search ..... 15/350-351, 15/347, 320, 321, 322; D32/21-22, 31-34, 38-39

## [56] References Cited

### U.S. PATENT DOCUMENTS

Re. 20,286	3/1937	Leathers	15/16
Re. 32,751	9/1988	Joss et al.	15/329
D. 296,486	6/1988	Staubitz et al.	D32/22
D. 299,175	12/1988	Nimon et al.	D32/22
D. 305,373	1/1990	Yamamoto et al.	D32/22
D. 306,225	2/1990	Correa	D32/22
D. 313,879	1/1991	Ito	D32/22
D. 320,491	10/1991	Lackner et al.	D32/22
D. 328,165	7/1992	Ferrari et al.	D32/22
2,187,164	1/1940	Leathers	15/16
2,210,724	8/1940	Leathers	15/16
2,355,322	8/1944	Nuffer et al.	15/16
2,360,155	10/1944	Nuffer et al.	15/16
3,055,039	9/1962	Smith	15/353
3,082,940	3/1963	Frantz	230/235
3,273,195	9/1966	Jepson et al.	15/344
3,477,087	11/1969	Robinson	15/344
4,638,526	1/1987	Murata et al.	15/367

4,665,582	5/1987	Richmond et al.	15/344
4,707,169	11/1987	Wareham et al.	55/357

## OTHER PUBLICATIONS

Terry, T., "Eureka carries a big stick", *HFD*, Jan. 6, 1992, pp. 64, 1A and 3A-5A, New York, N.Y.

*Primary Examiner*—Ruth McInroy  
*Attorney, Agent, or Firm*—Jones & Askew

## [57] CLAIM

The ornamental design for an electric broom, as shown and described.

## DESCRIPTION

FIG. 1 is a front, right, top perspective view of an electric broom showing a first embodiment of our new design with the handle retracted;

FIG. 2 is a front elevational view thereof;

FIG. 3 is a top plan view thereof;

FIG. 4 is a right side elevational view thereof;

FIG. 5 is a rear elevational view thereof;

FIG. 6 is a left side elevational view thereof;

FIG. 7 is a bottom plan view thereof;

FIG. 8 is a front, right, top perspective view thereof with the handle extended;

FIG. 9 is a front, right, top perspective view of an electric broom showing a second embodiment of our new design with the handle retracted;

FIG. 10 is a front elevational view thereof;

FIG. 11 is a top plan view thereof;

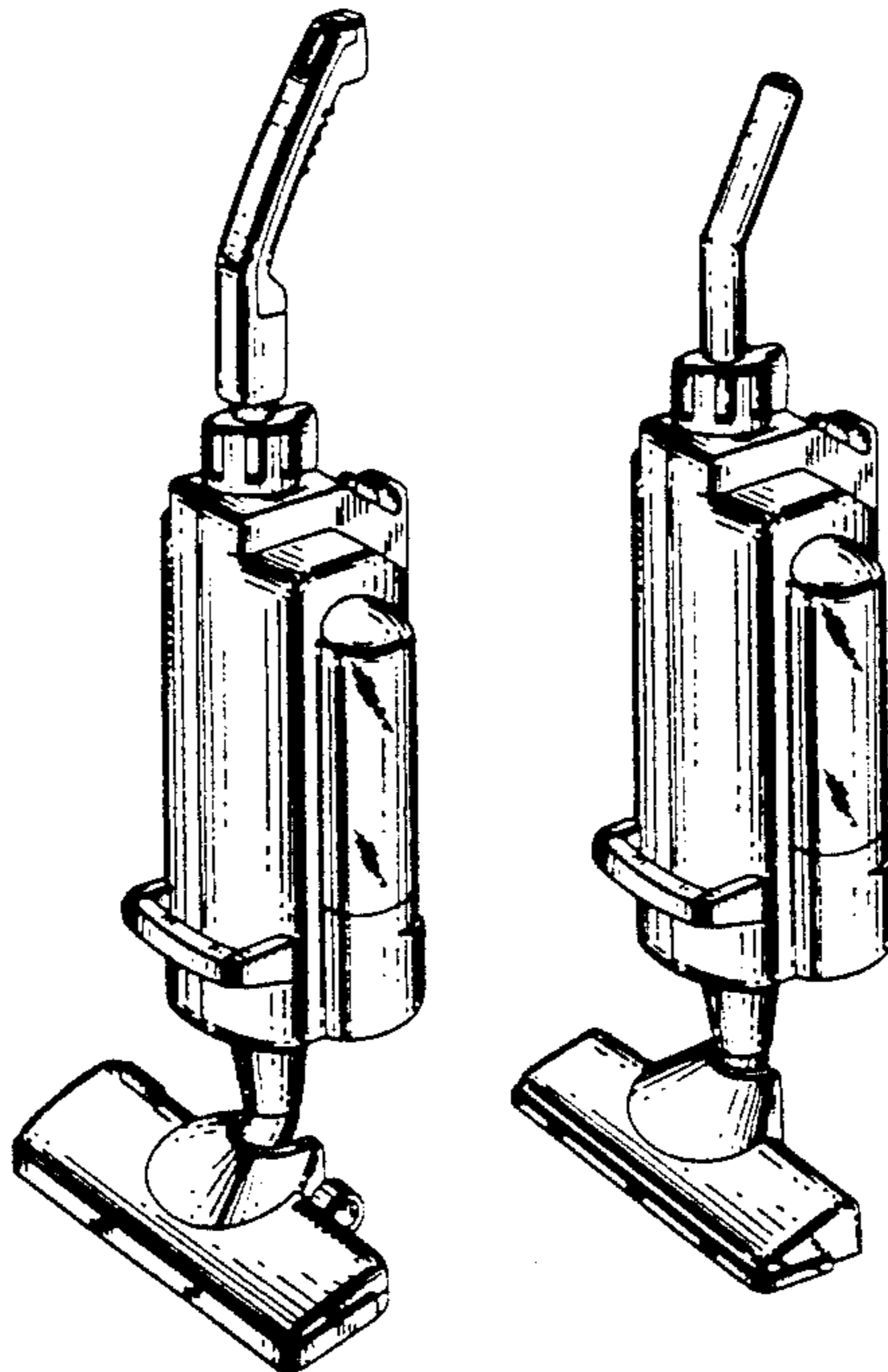
FIG. 12 is a right side elevational view thereof;

FIG. 13 is a rear elevational view thereof;

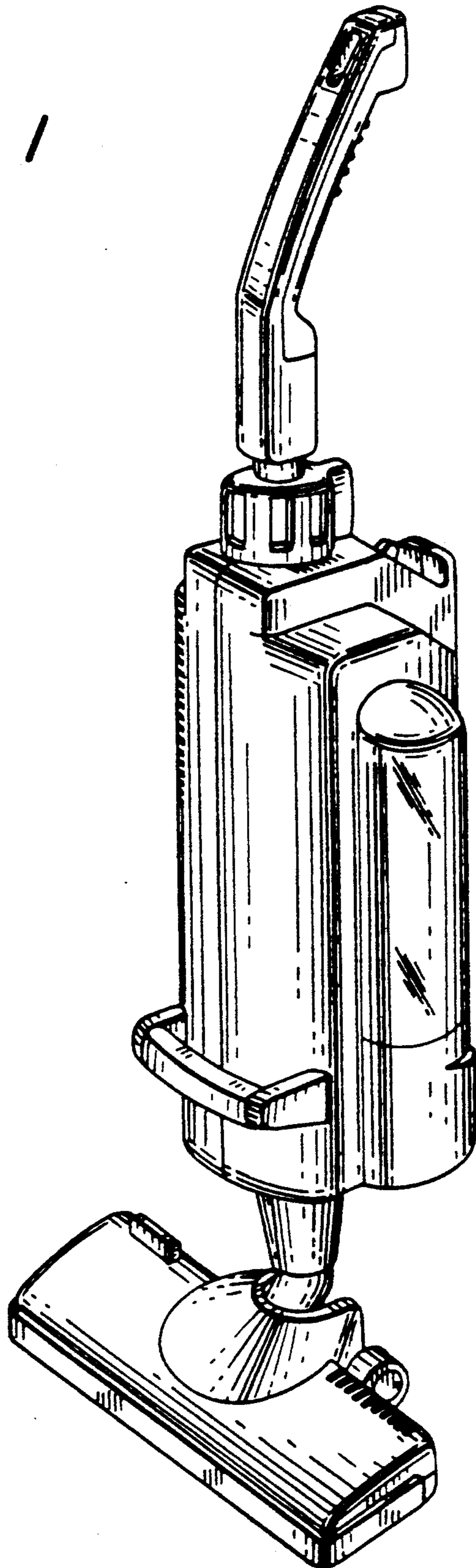
FIG. 14 is a left side elevational view thereof;

FIG. 15 is a bottom plan view thereof; and,

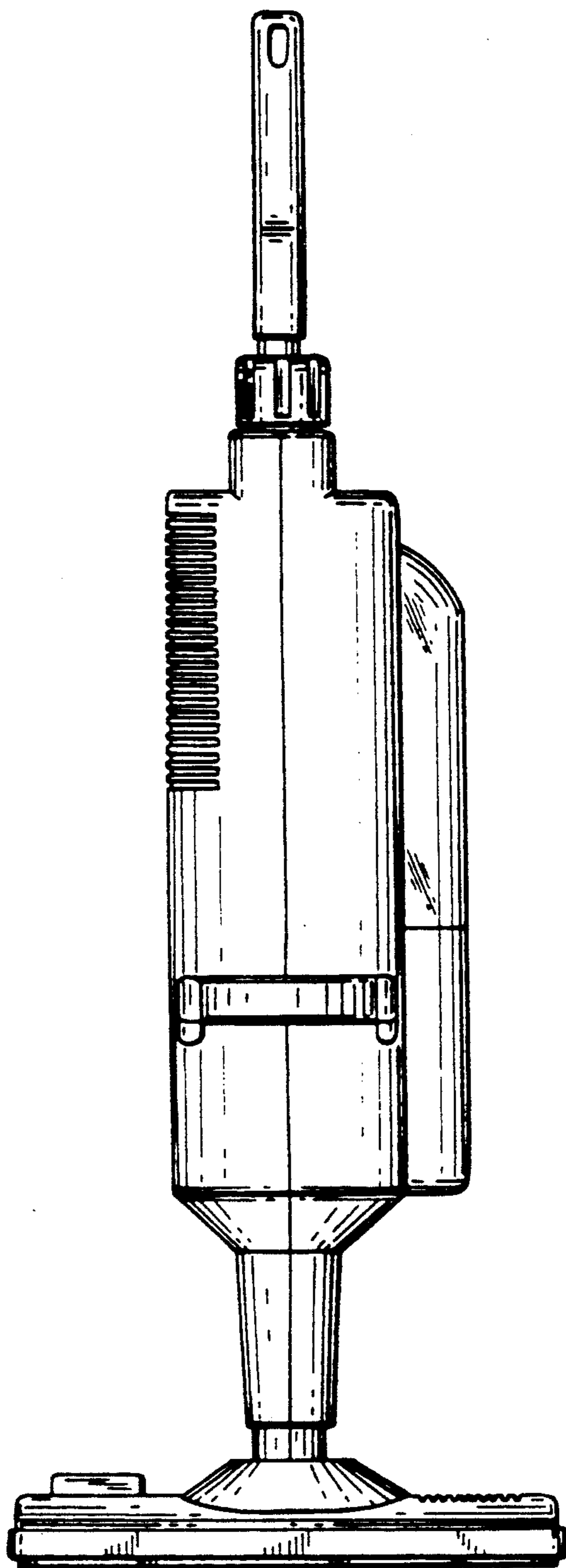
FIG. 16 is a front, right, top perspective view thereof with the handle extended.



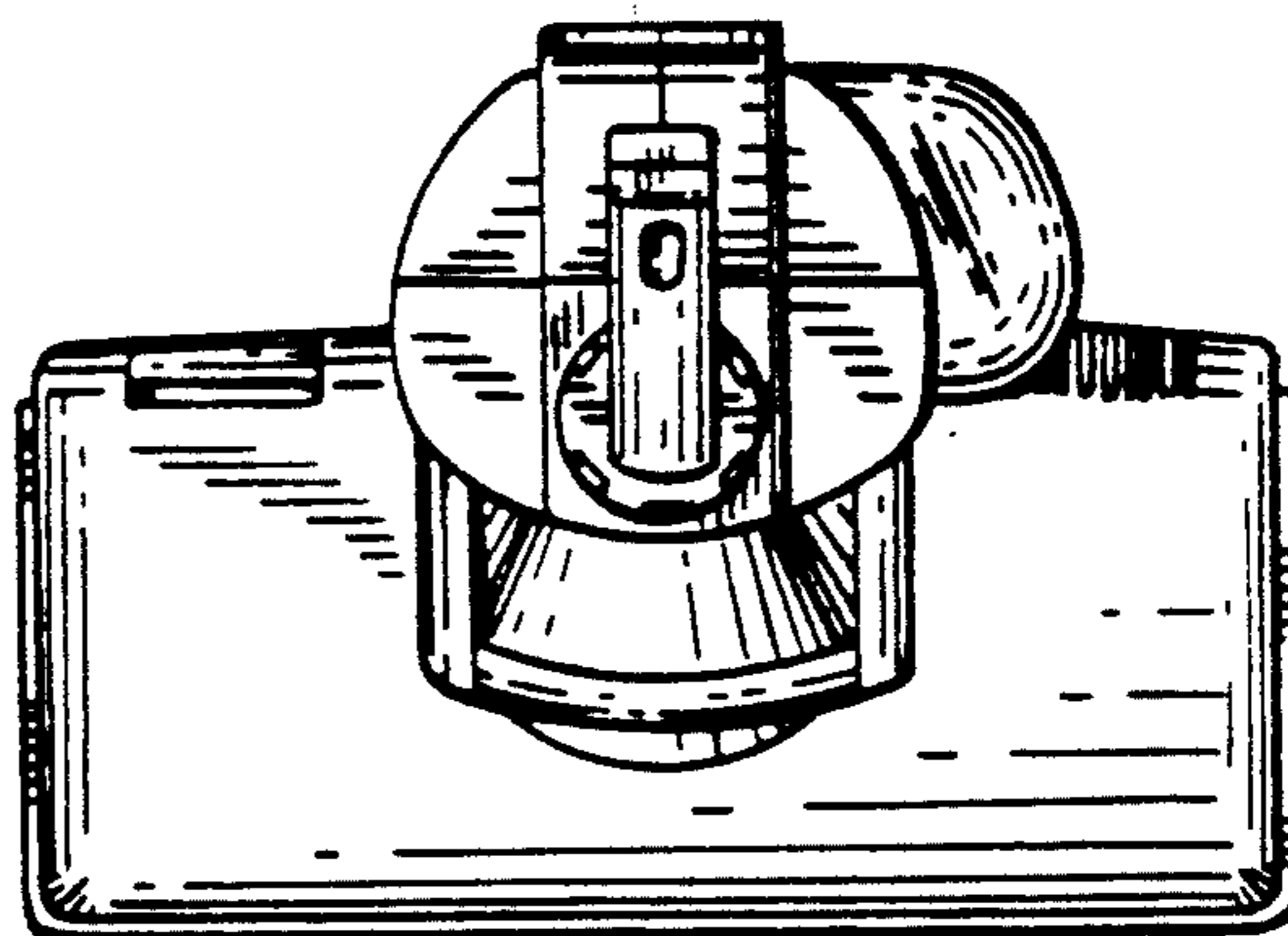
*FIG. 1*



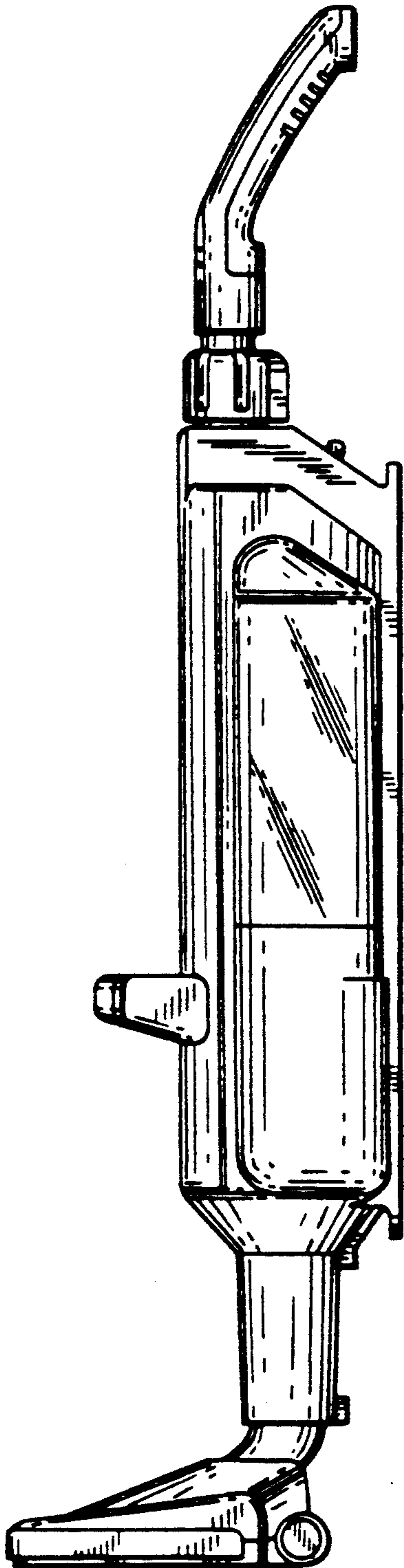
*FIG. 2*



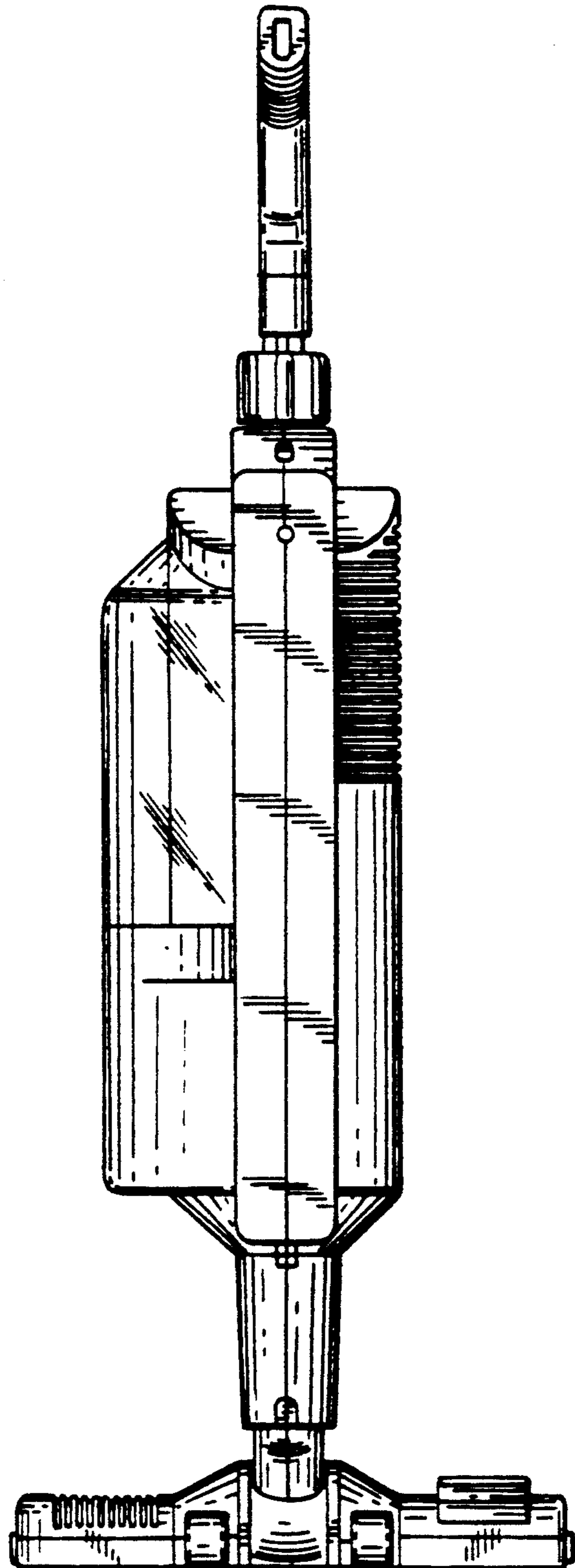
*FIG. 3*



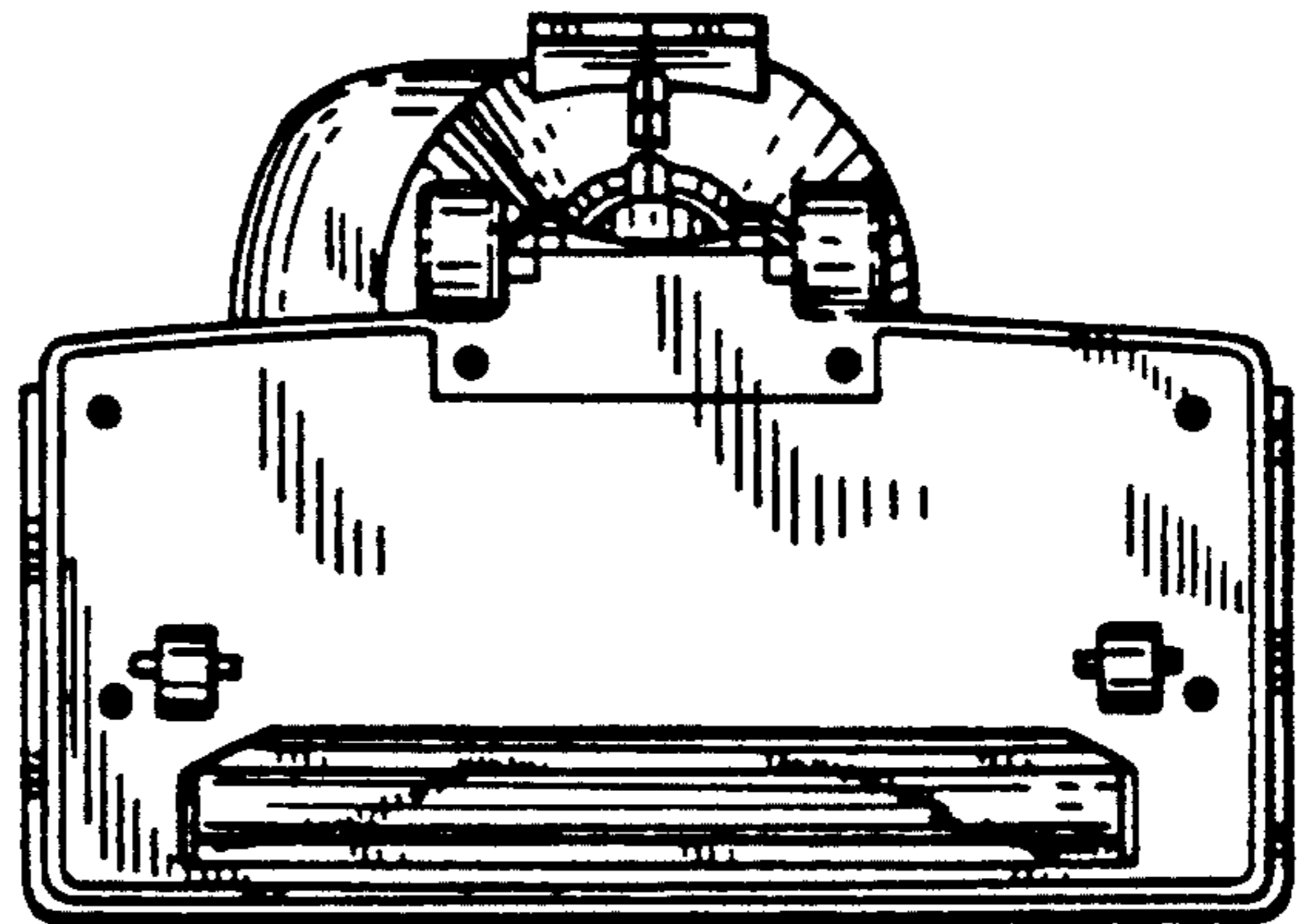
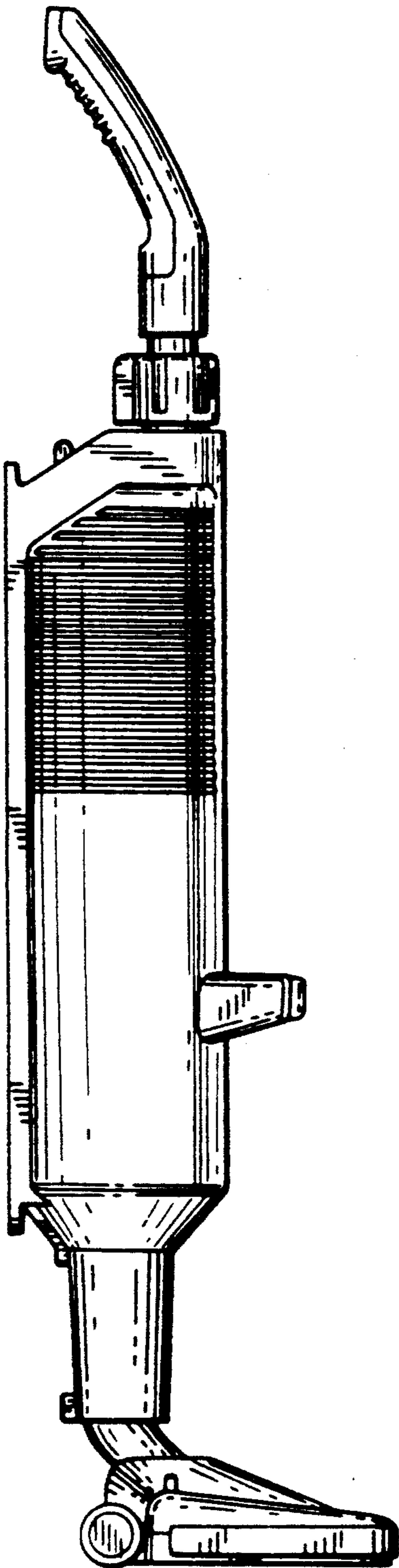
*FIG. 4*



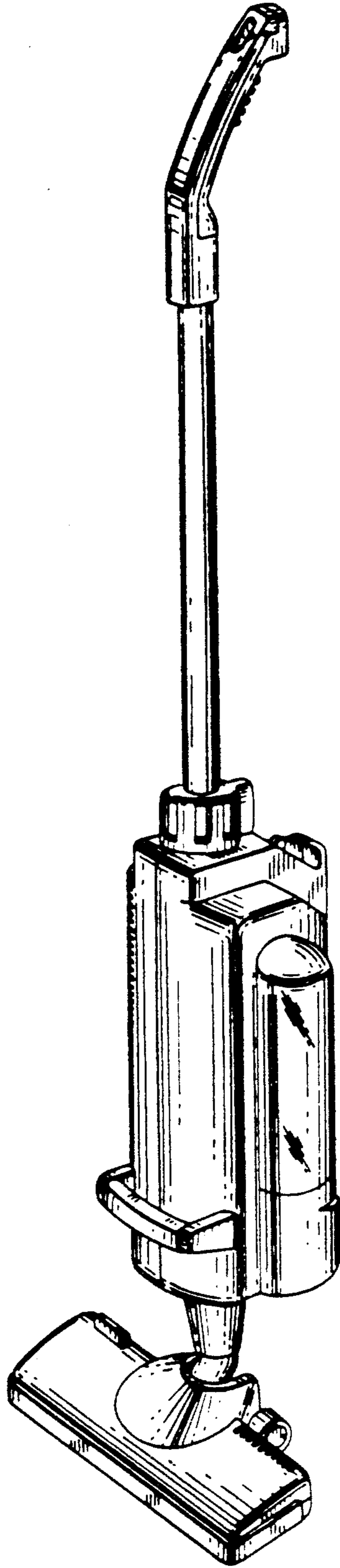
*FIG. 5*



*FIG. 6*

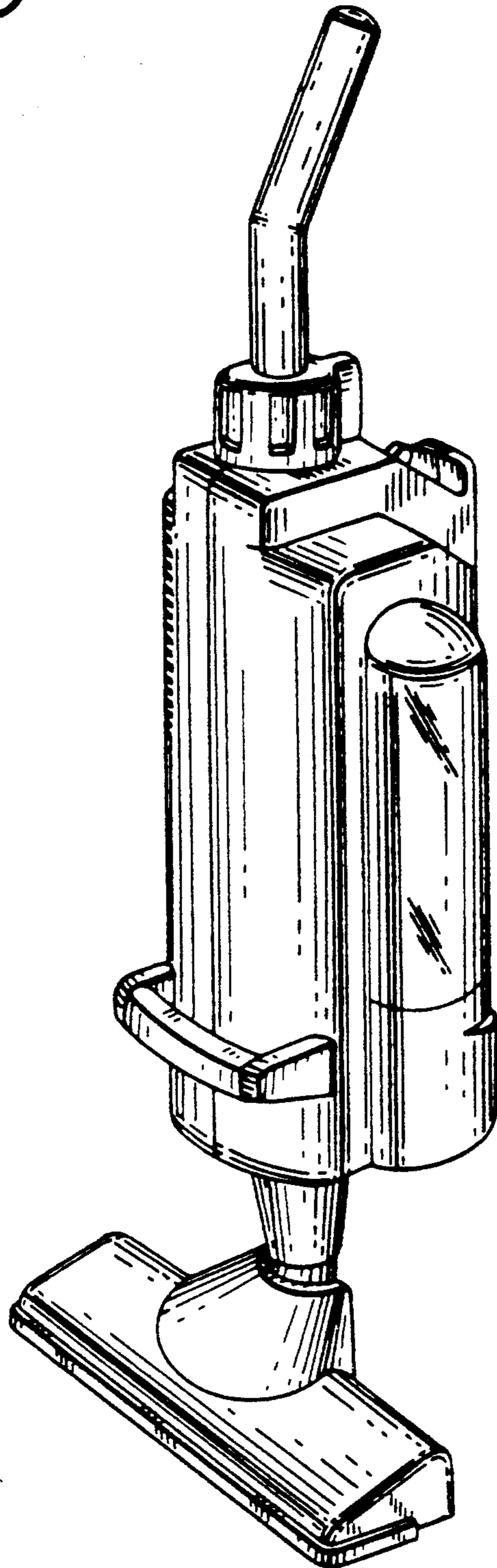


*FIG. 7*

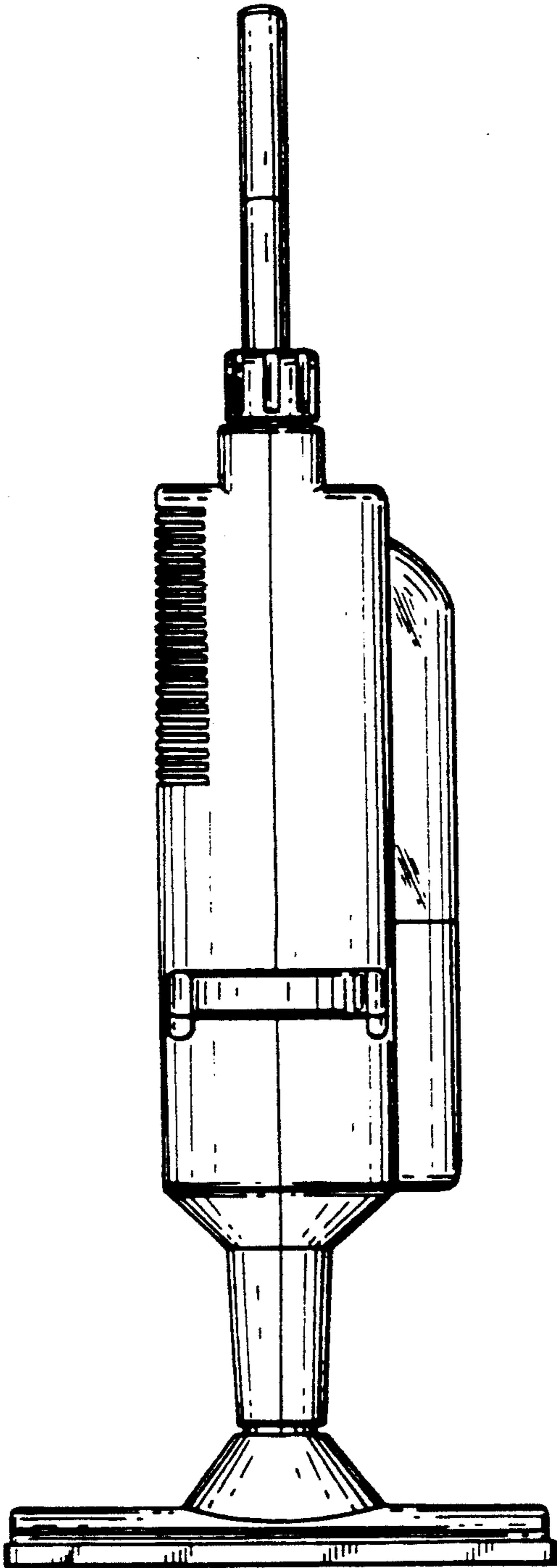


*FIG. 8*

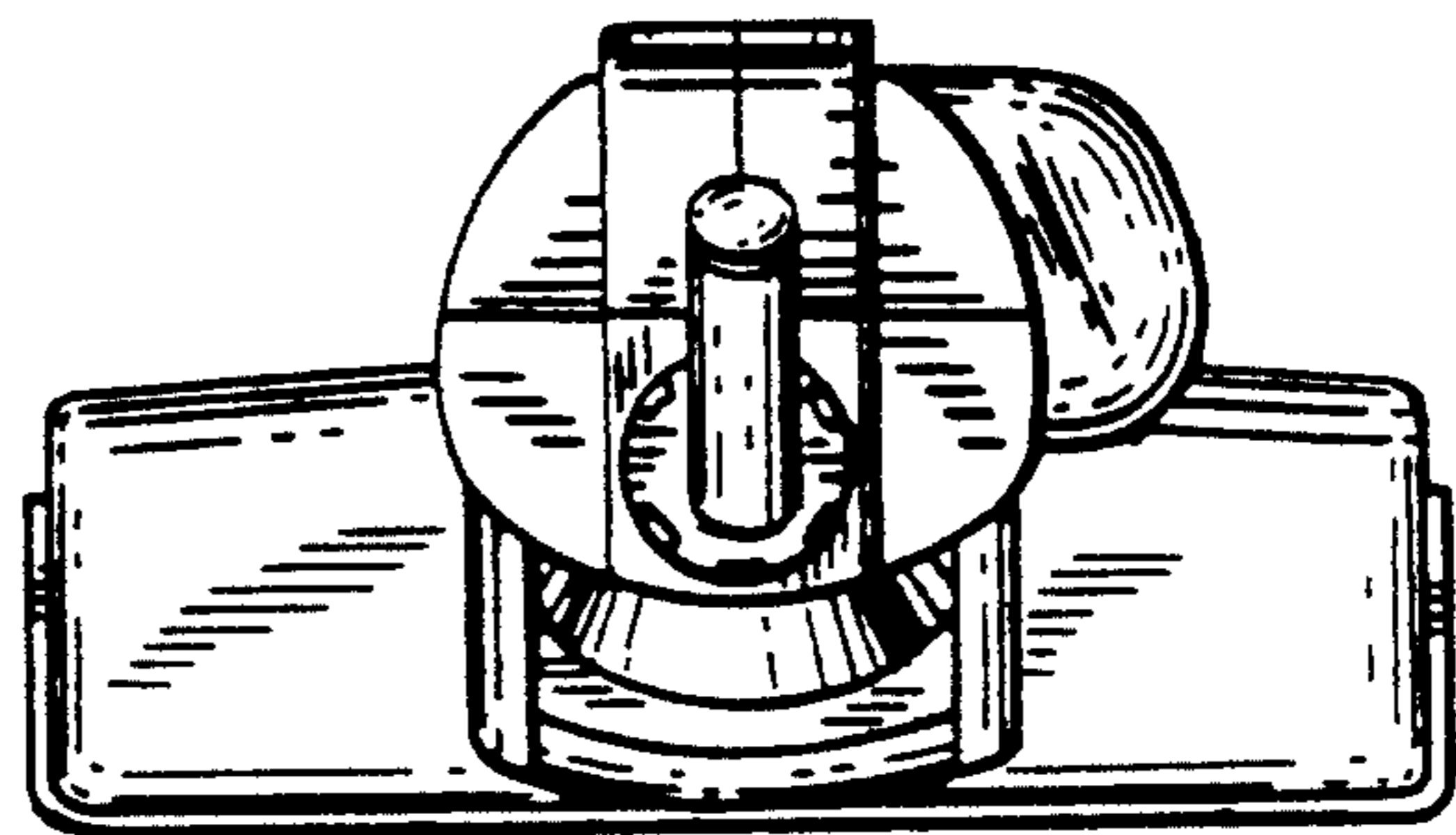
*FIG. 9*



*FIG. 10*

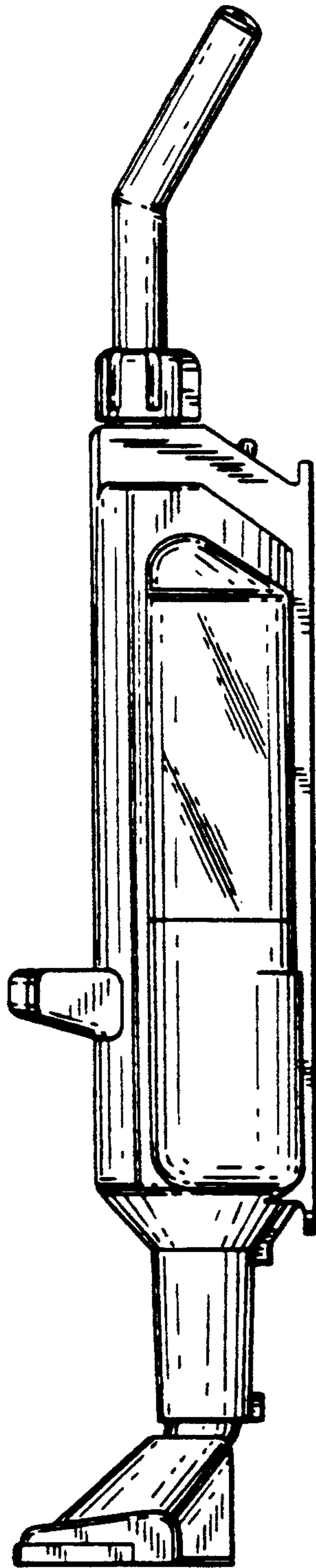


*FIG. 11*

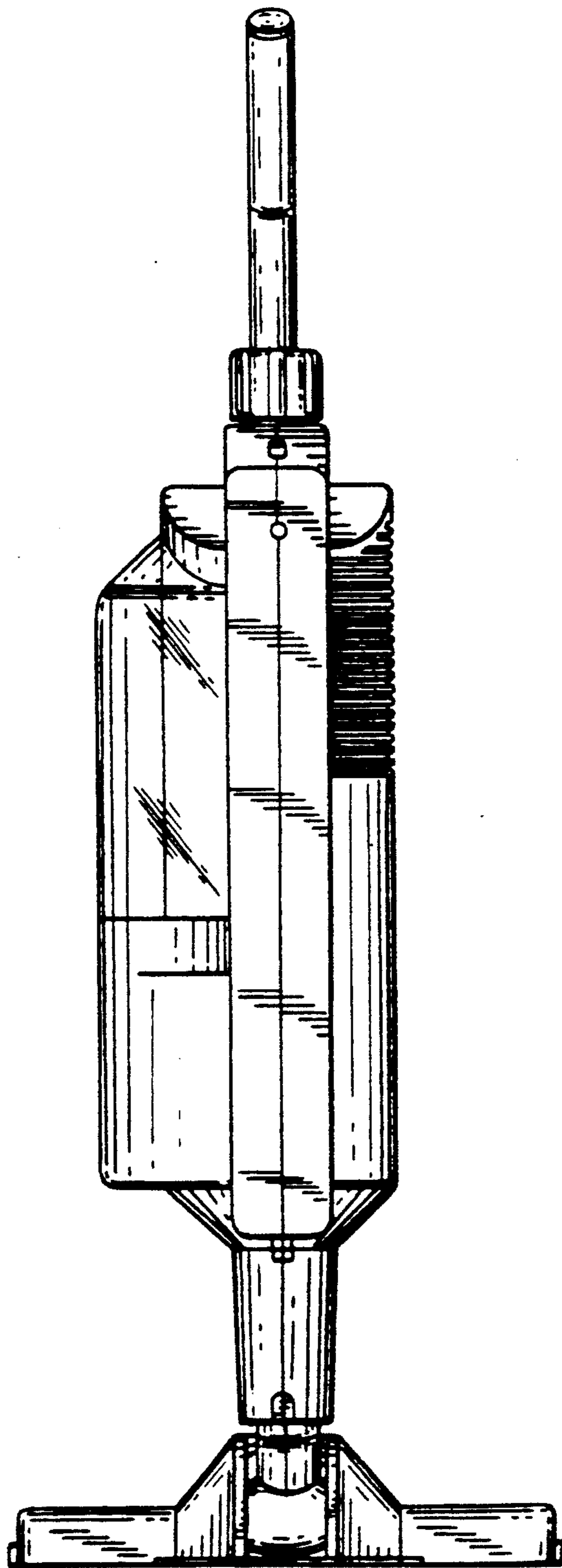




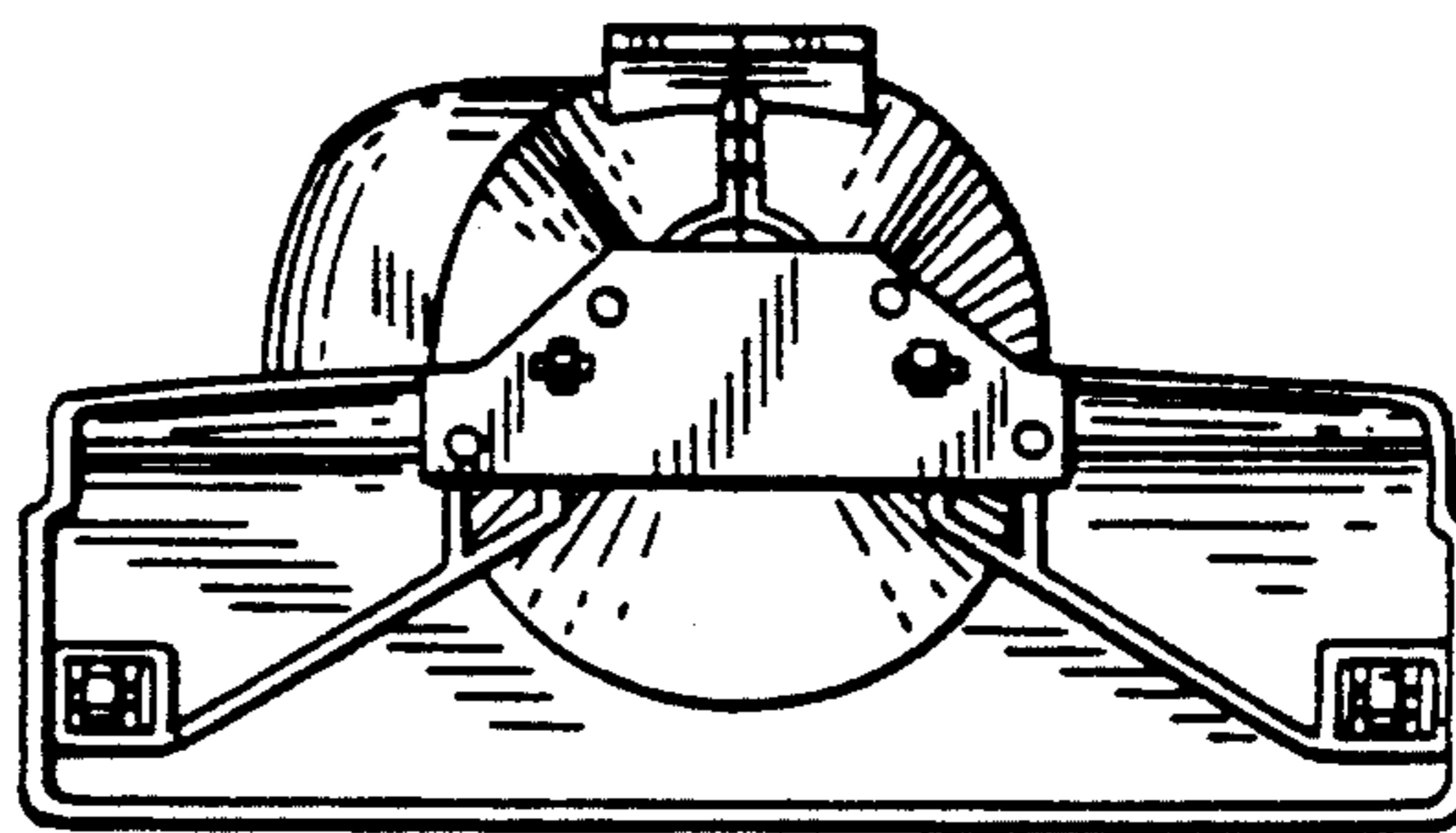
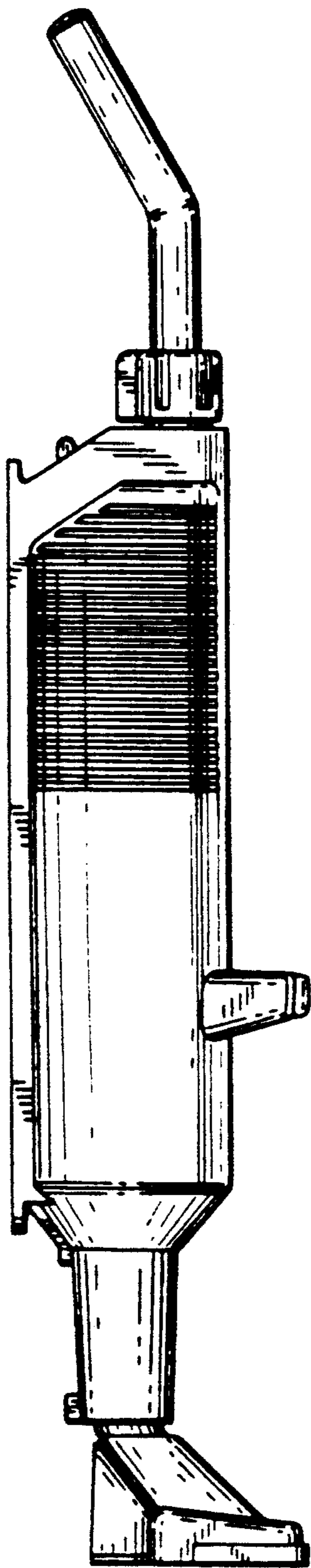
*FIG. 12*



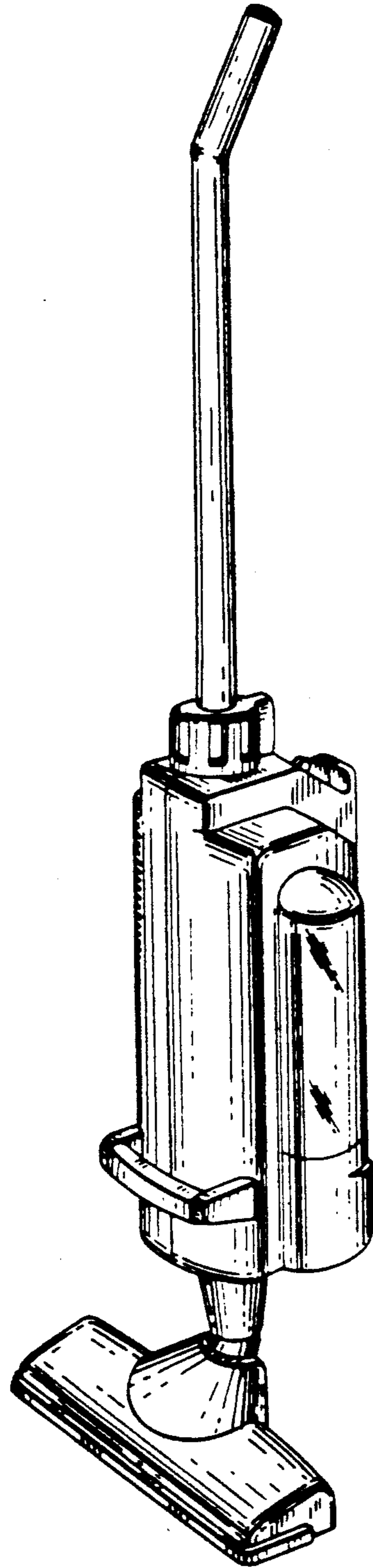
*FIG. 13*



*FIG. 14*



*FIG. 15*



*FIG. 16*