



US00D346467S

# United States Patent [19]

[11] Patent Number: **Des. 346,467**

Furcron et al.

[45] Date of Patent: **\*\* Apr. 26, 1994**

[54] **CLEANING DEVICE**

[75] Inventors: **Kent J. Furcron; Gary A. Miller**, both of Bristol, Va.; **Ricky A. Owens**, Bristol, Tenn.; **John W. Walch**, Abingdon, Va.; **Mark D. Dziersk**, Simsbury, Conn.

[73] Assignee: **TRC Acquisition Corporation**, Atlanta, Ga.

[\*] Notice: The portion of the term of this patent subsequent to Apr. 5, 2008 has been disclaimed.

[\*\*] Term: **14 Years**

[21] Appl. No.: **730,297**

[22] Filed: **Jul. 15, 1991**

[52] U.S. Cl. .... **D32/22**

[58] Field of Search ..... 15/320, 321, 323-326, 15/327.1, 335, 339, 350-351, 353, 354-355, 358, 377-378, 412, 415 R, 361; D32/21 $\geq$ 22, 32-34

[56] **References Cited**

**U.S. PATENT DOCUMENTS**

D. 287,894	1/1987	Watkins et al. ....	D32/22
D. 288,016	1/1987	Watkins et al. ....	D32/22
D. 293,729	1/1988	Soeffker et al. ....	D32/22
4,558,484	12/1985	Groth .....	15/320
4,559,665	12/1985	Fitzwater .....	15/339
4,566,149	1/1986	Fitzwater .....	15/320
4,709,442	12/1987	Sletten, II .....	15/320

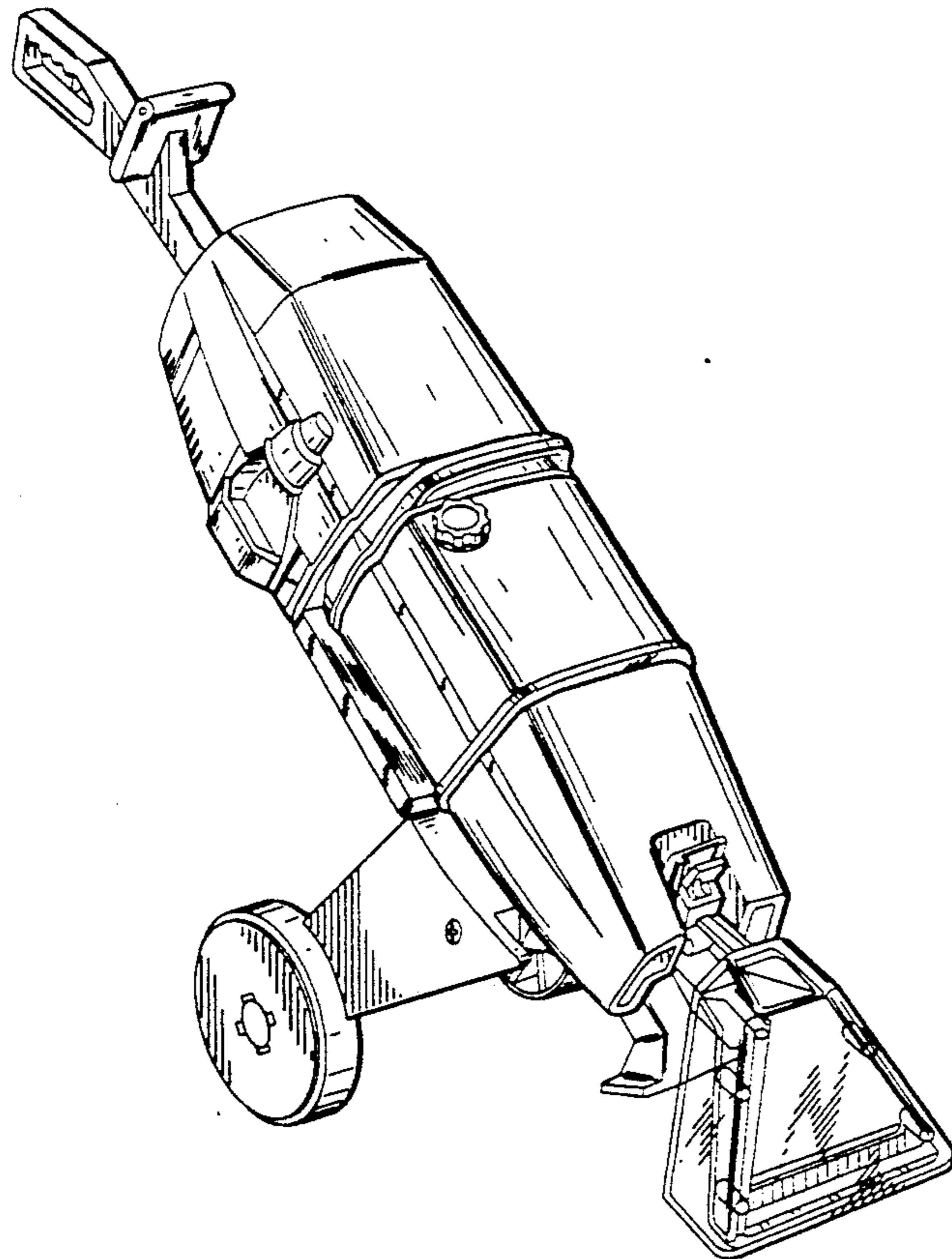
*Primary Examiner*—Ruth McInroy  
*Attorney, Agent, or Firm*—Jones & Askew

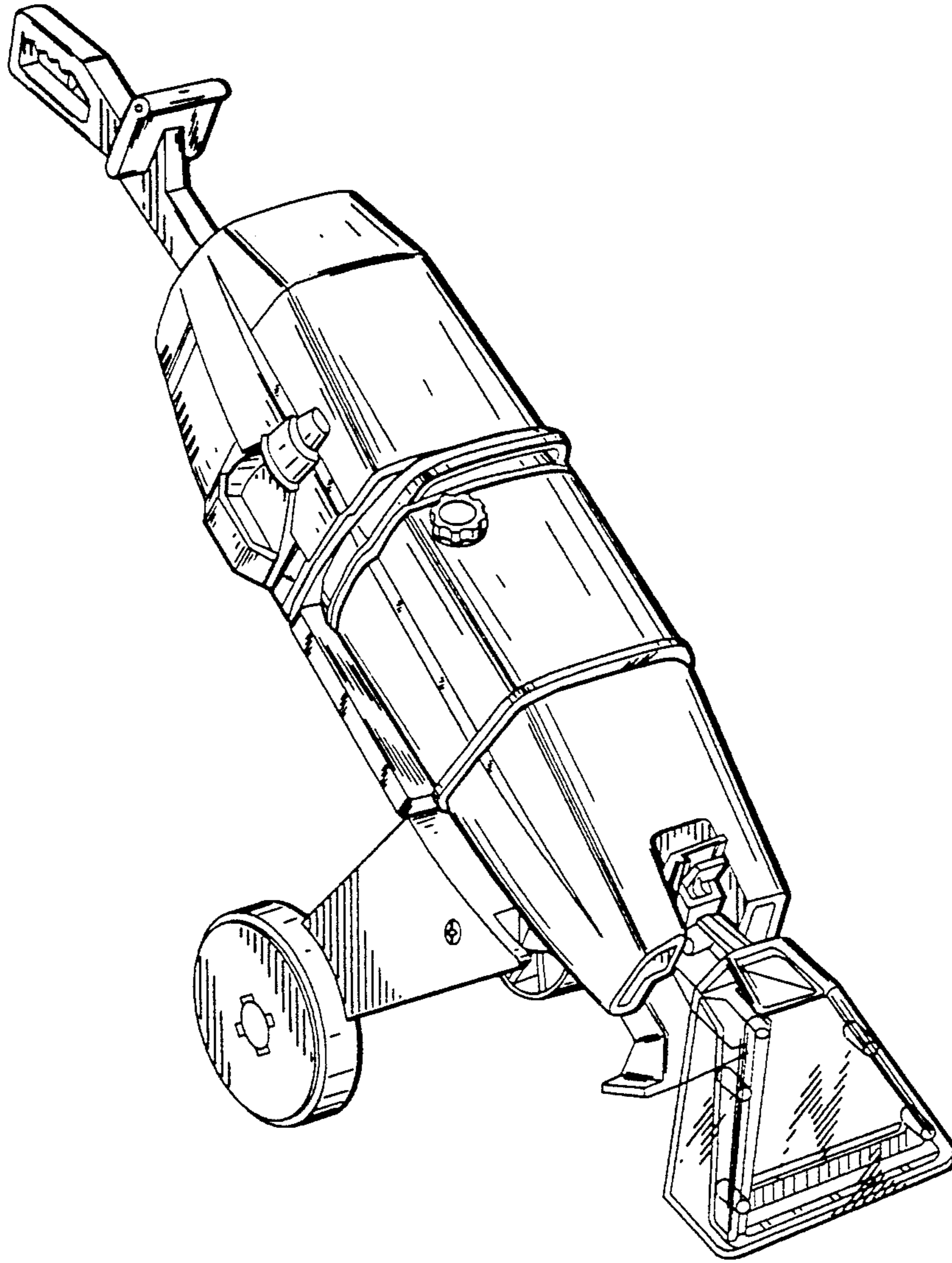
[57] **CLAIM**

The ornamental design for a cleaning device, as shown and described.

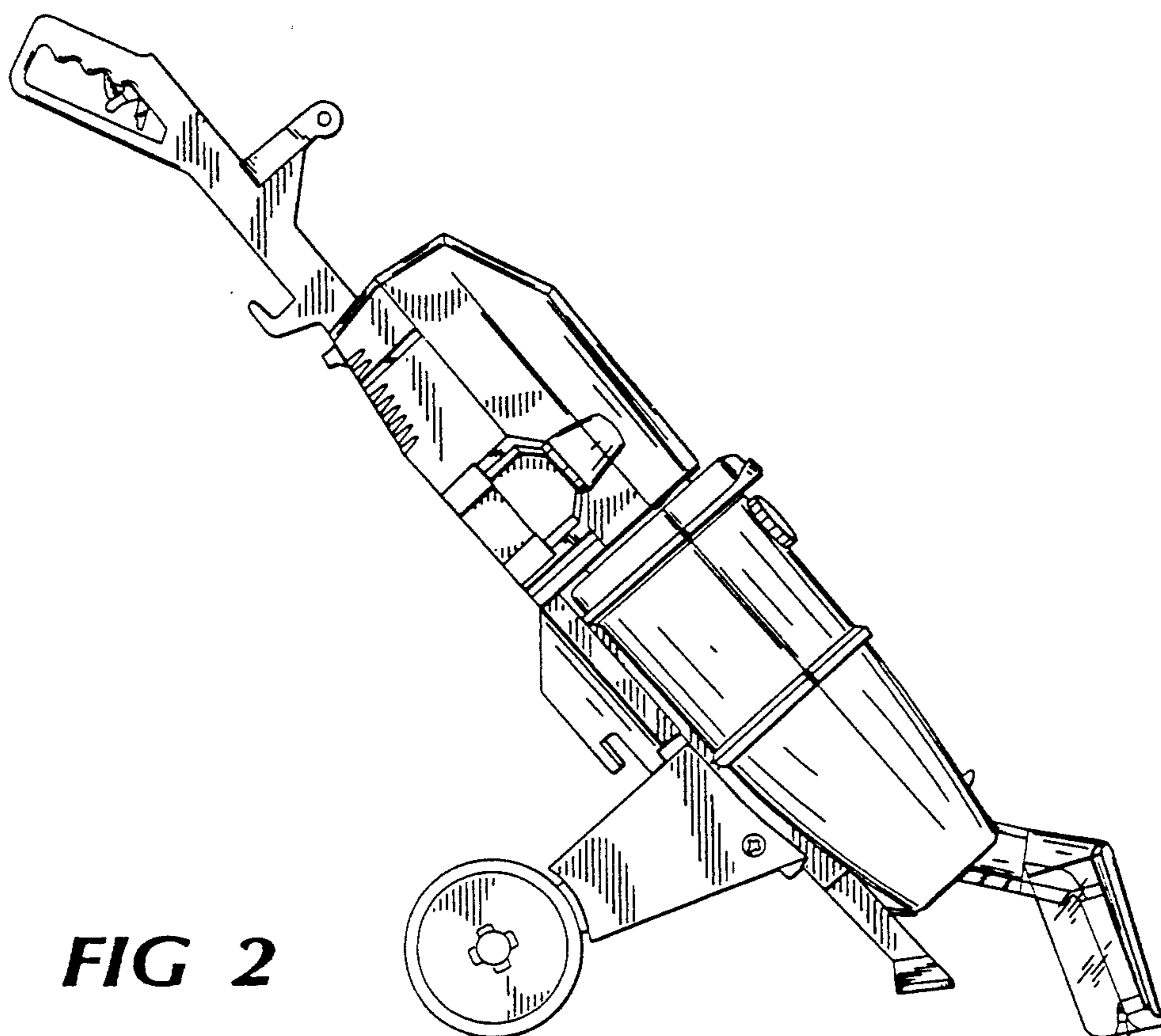
**DESCRIPTION**

FIG. 1 is a front, left, top perspective view of a cleaning device showing our new design;  
FIG. 2 is a left side elevational view thereof;  
FIG. 3 is a right side elevational view thereof;  
FIG. 4 is a front elevational view thereof;  
FIG. 5 is a bottom plan view thereof;  
FIG. 6 is a top plan view thereof;  
FIG. 7 is a rear elevational view thereof; and,  
FIG. 8 is a front, left, top perspective view thereof with a cleaning fluid bottle shown in phantom lines attached thereto.

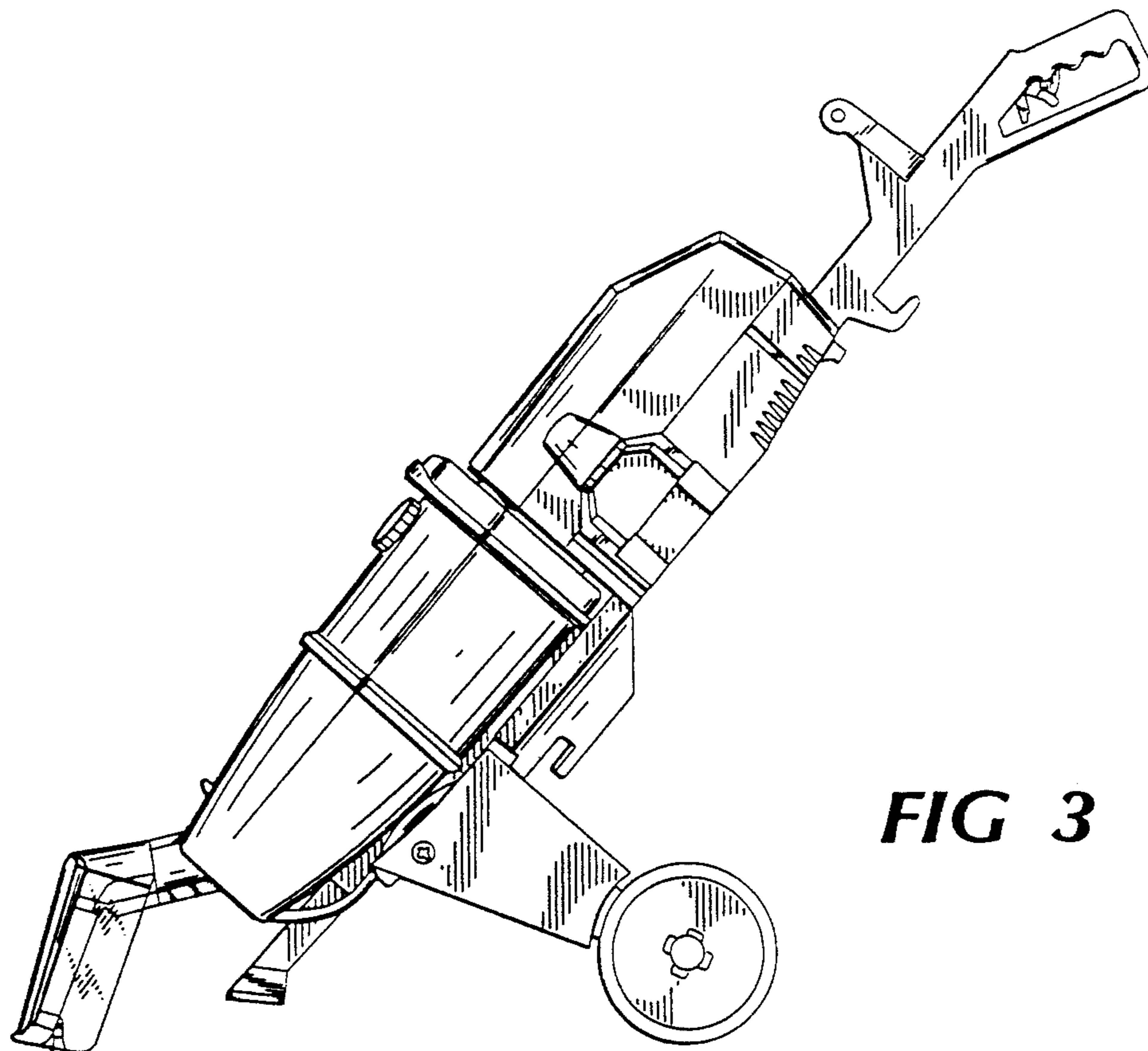




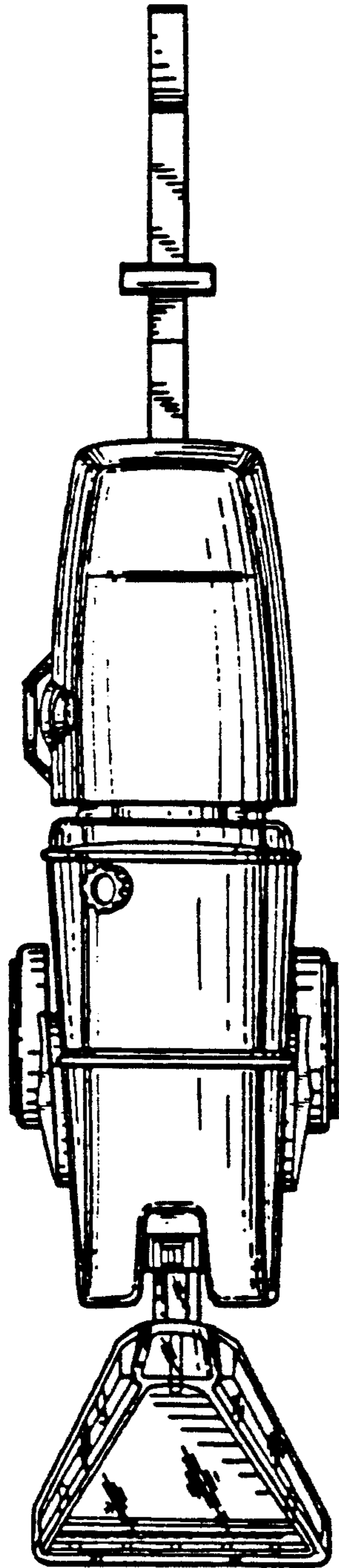
**FIG 1**



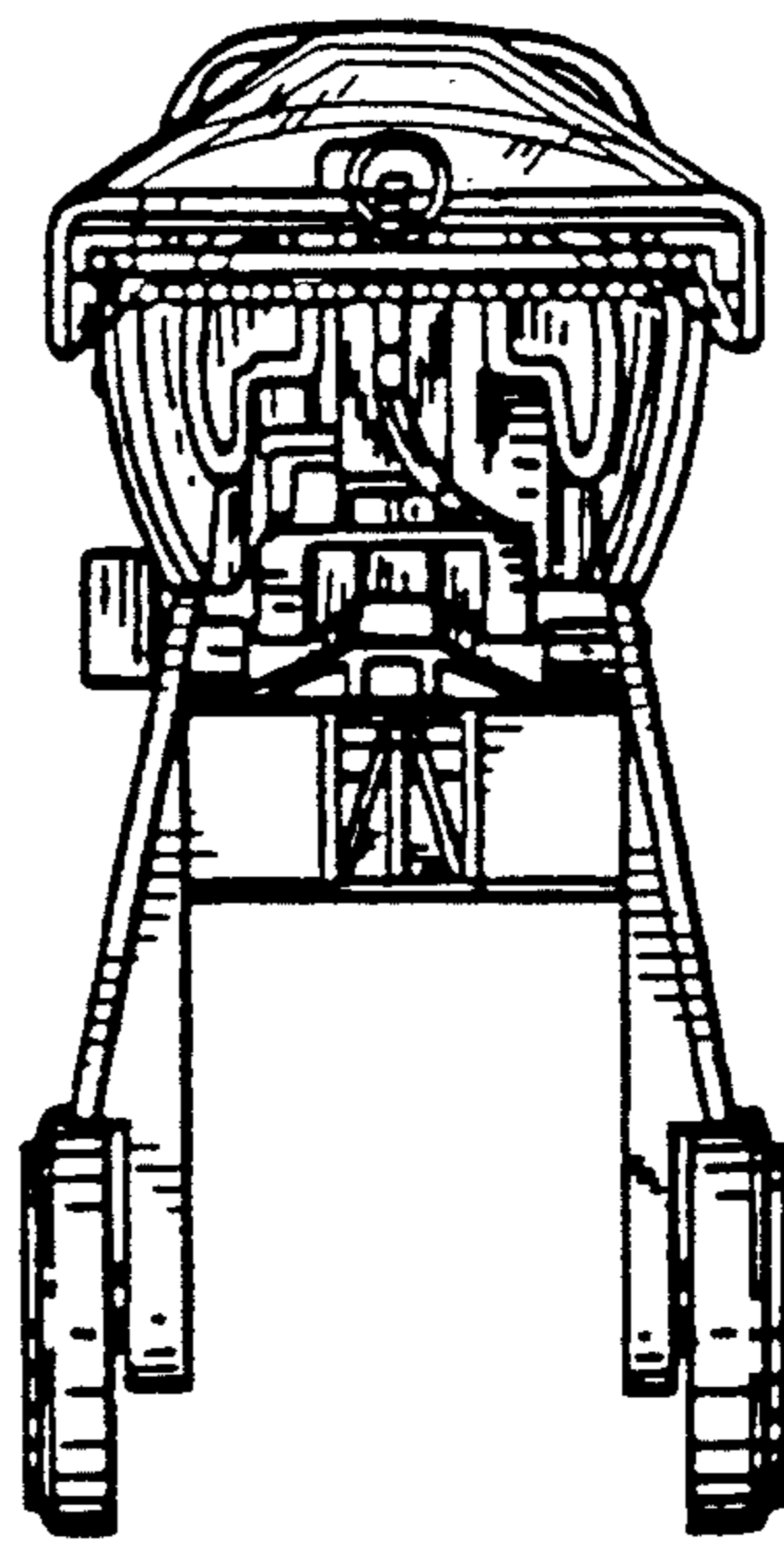
**FIG 2**



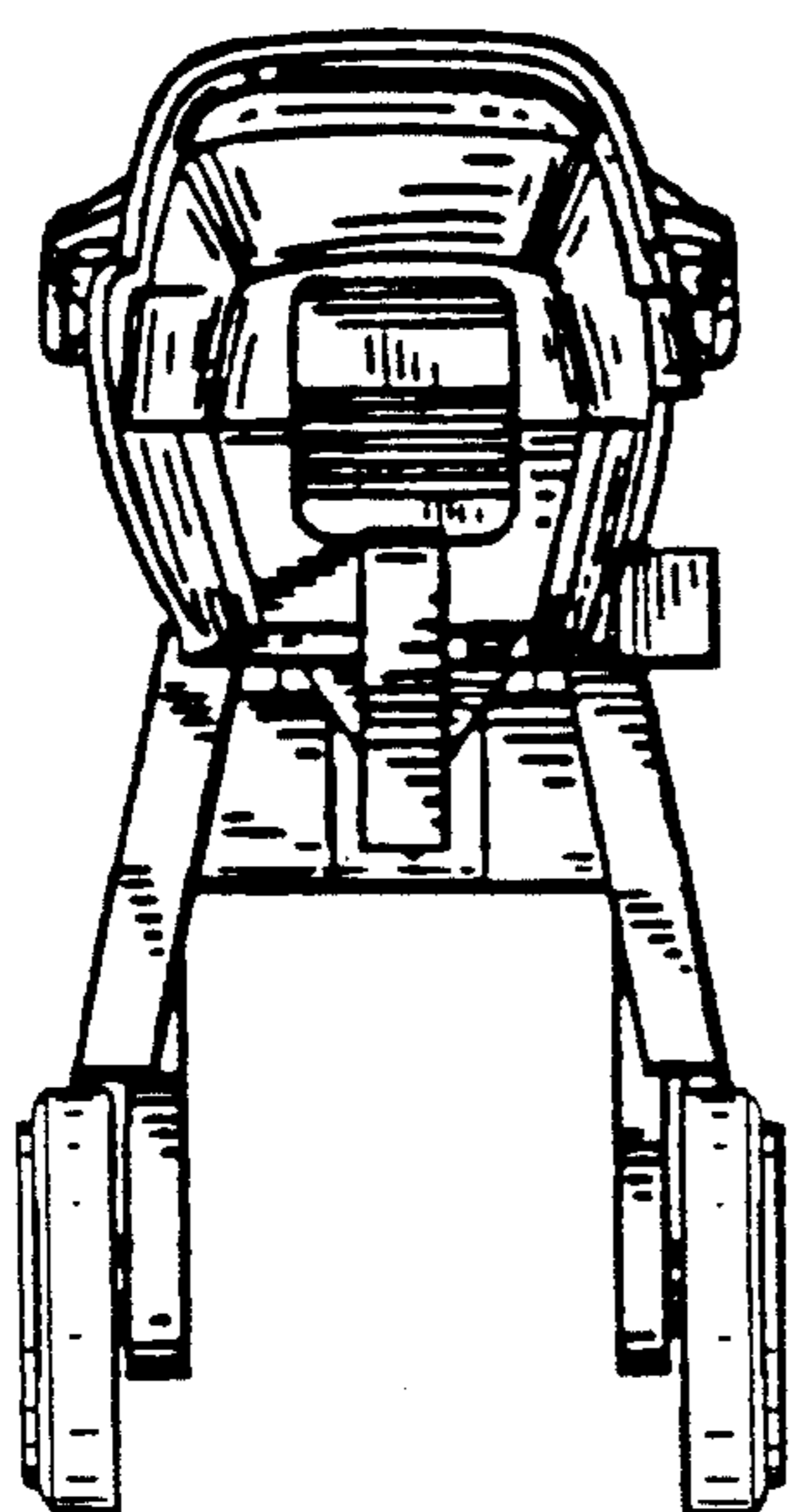
**FIG 3**



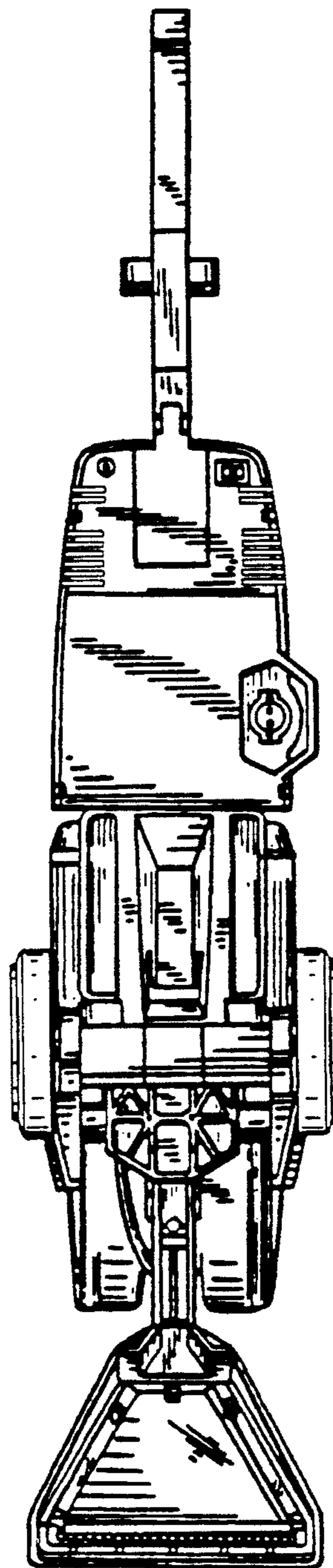
**FIG 4**



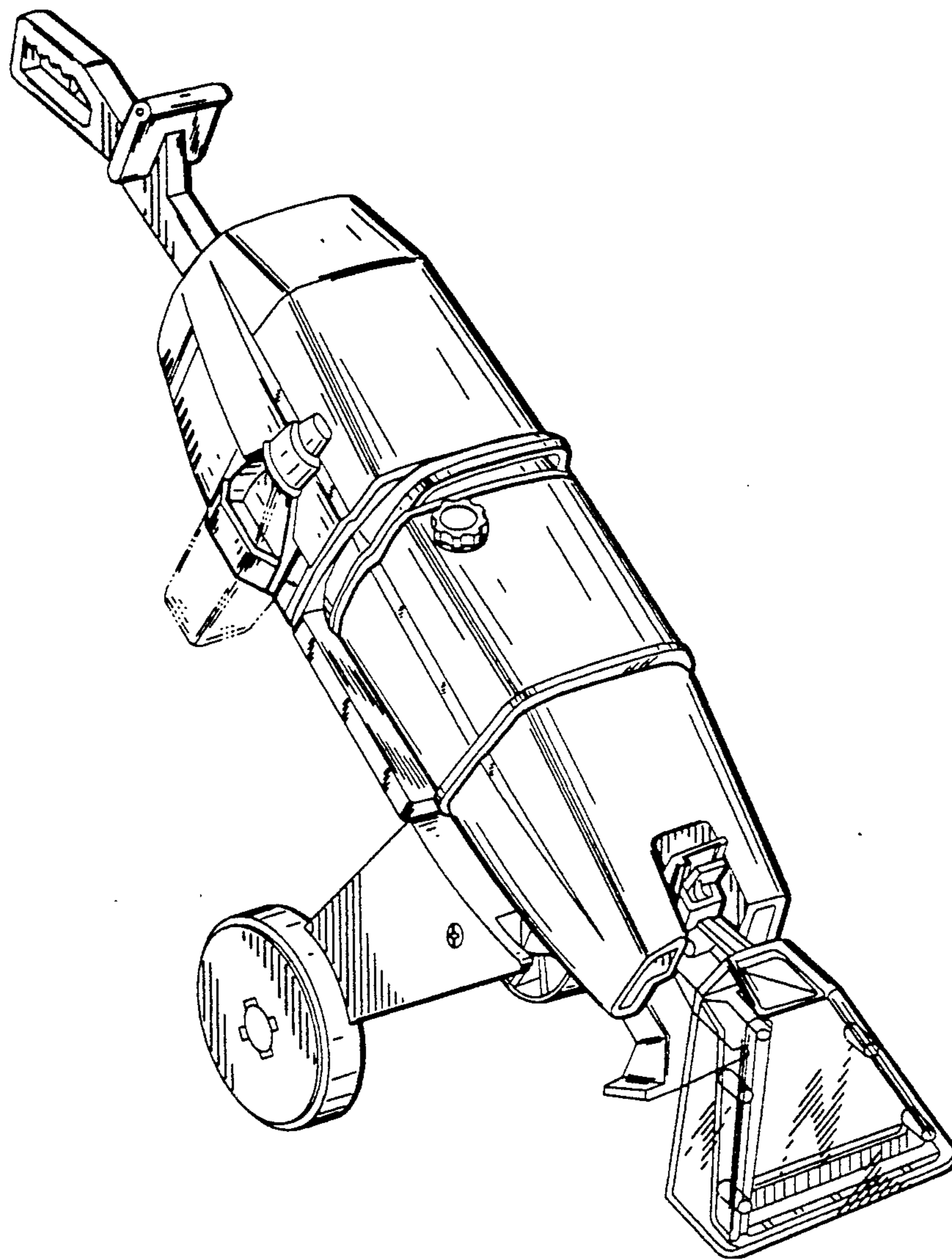
**FIG 5**



**FIG 6**



**FIG 7**



**FIG 8**