



US00D346466S

United States Patent [19]

[11] Patent Number: **Des. 346,466**

Puntervold, Sr.

[45] Date of Patent: **** Apr. 26, 1994**

[54] CONTAINER FOR TREATING ANIMALS

[76] Inventor: **Edward M. Puntervold, Sr.**, 1730
NW. 118 Ave., Pembroke Pines, Fla.
33026

[**] Term: **14 Years**

[21] Appl. No.: **872,684**

[22] Filed: **Apr. 20, 1992**

[52] U.S. Cl. **D30/158; D23/281;**
D30/108

[58] Field of Search 119/96, 99, 17, 19,
119/156-160; D30/108-109, 158, 119, 161;
D23/277-281

[56] **References Cited**

U.S. PATENT DOCUMENTS

D. 104,933	6/1937	Vaughn	D23/281
D. 253,368	11/1979	Johansson	D23/281
D. 264,629	5/1982	Longmire	D23/281
D. 282,498	2/1986	Hasse	D23/277
D. 311,794	10/1990	Barone	D30/158
D. 317,371	6/1991	Haffner	D30/158
3,734,057	5/1973	Lee et al.	119/159
3,788,280	1/1974	Van Gilsh	119/99
4,056,078	11/1977	Blafford et al.	119/158
4,228,765	10/1980	Berlin	119/99
5,193,487	3/1993	Vogel	119/158
5,213,064	5/1993	Mondine et al.	119/159

FOREIGN PATENT DOCUMENTS

212175	1/1958	Australia	D30/1.
484244	6/1952	Canada	D30/30 108
369774	1/1907	France	119/160
848474	9/1960	United Kingdom	D23/19 108

OTHER PUBLICATIONS

Field & Stream, Sep. 1991; p. 146; Dog Box.

Primary Examiner—A. Hugo Word
Assistant Examiner—Cathy Anne MacCormac
Attorney, Agent, or Firm—Richard L. Miller

[57] **CLAIM**

The ornamental design for container for treating animals, as shown and described.

DESCRIPTION

FIG. 1 is a perspective view of a container for treating animals with the yoke illustrated in an open position, showing my new design, however it is to be noted that the yoke is illustrated in a closed position in all other FIGS. 2 through 7 as follows;

FIG. 2 is a top plan view thereof;
FIG. 3 is a left side elevational view thereof;
FIG. 4 is a bottom plan view thereof;
FIG. 5 is a right side elevational view thereof;
FIG. 6 is a front elevational view thereof; and,
FIG. 7 is a rear elevational view thereof.

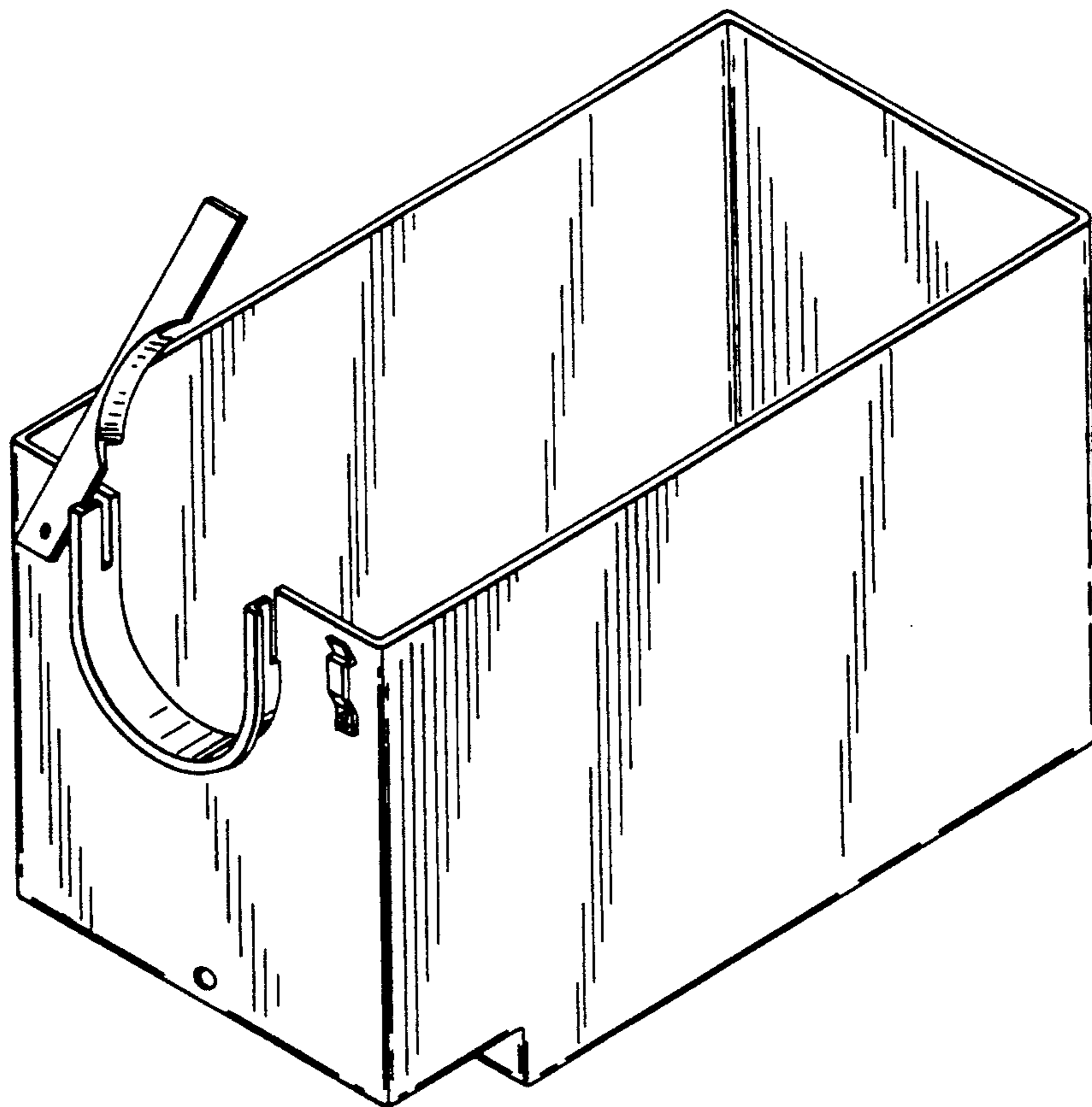


FIG. 1

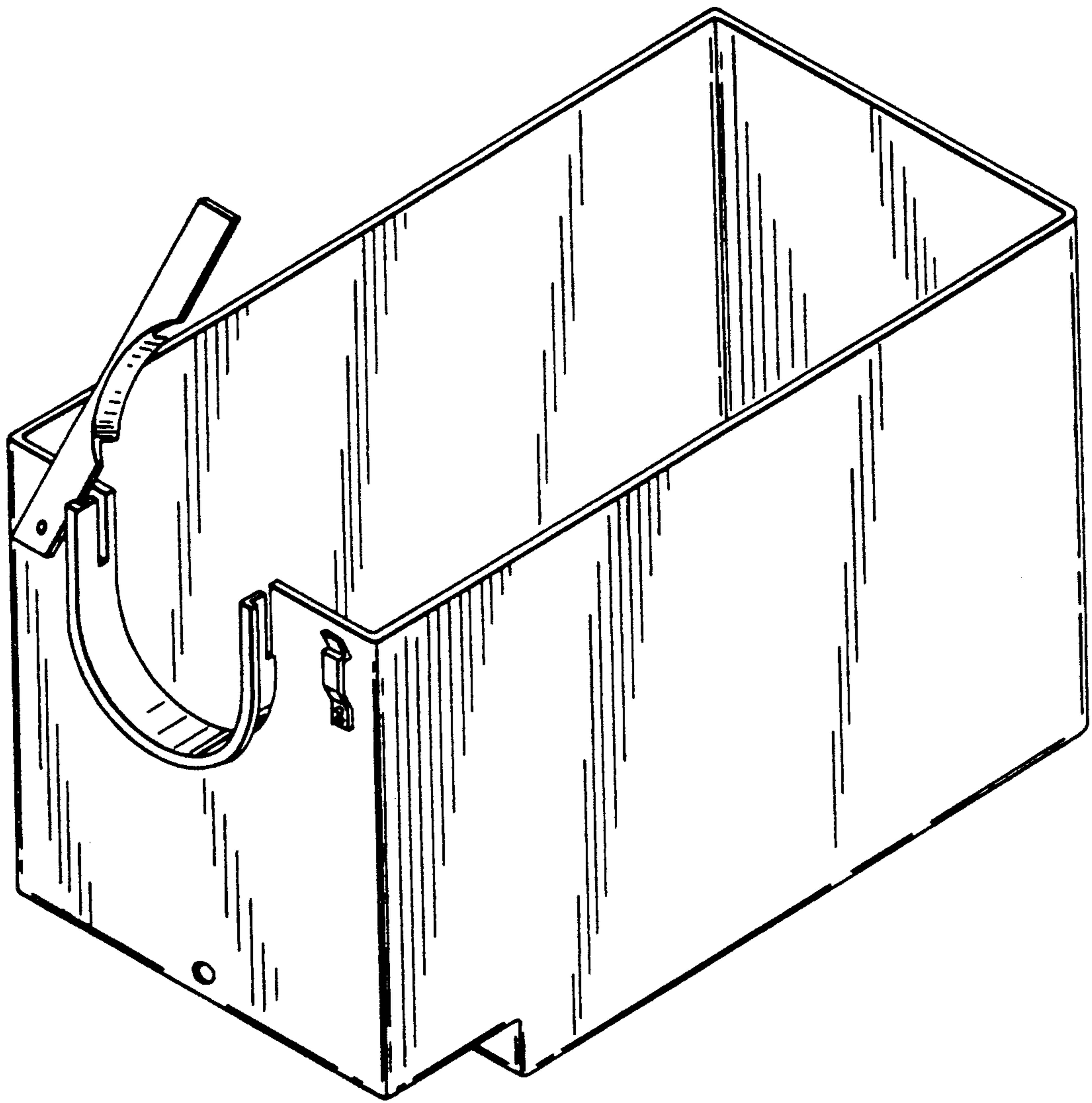


FIG. 2

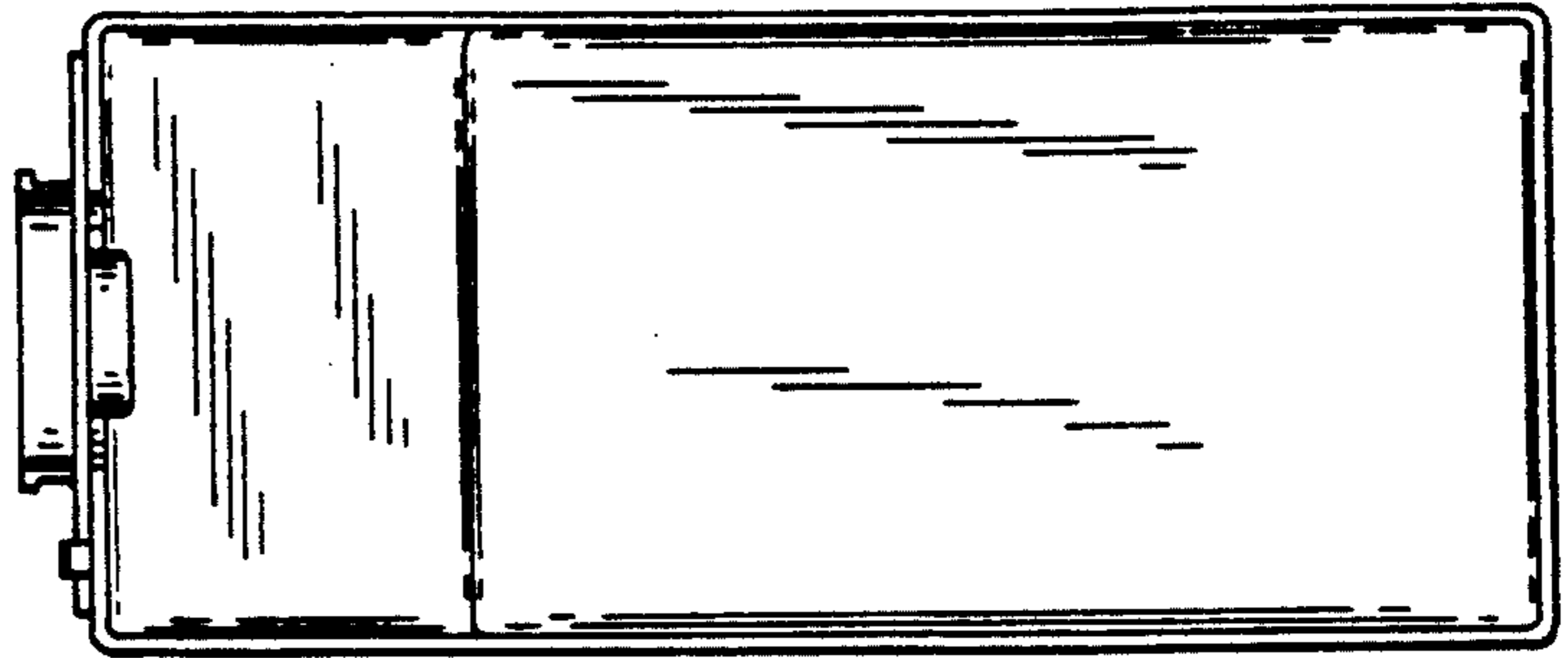


FIG. 6

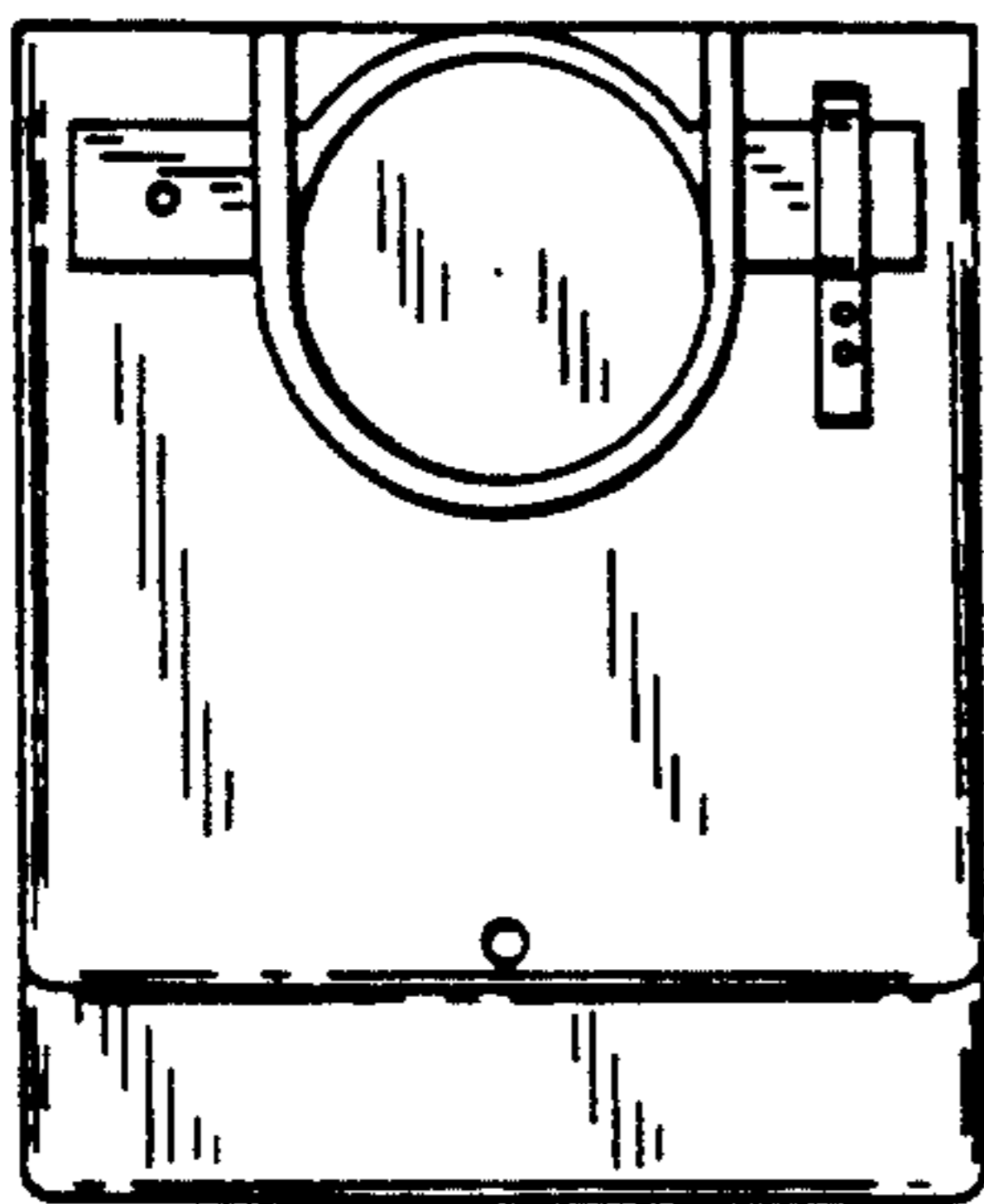


FIG. 3

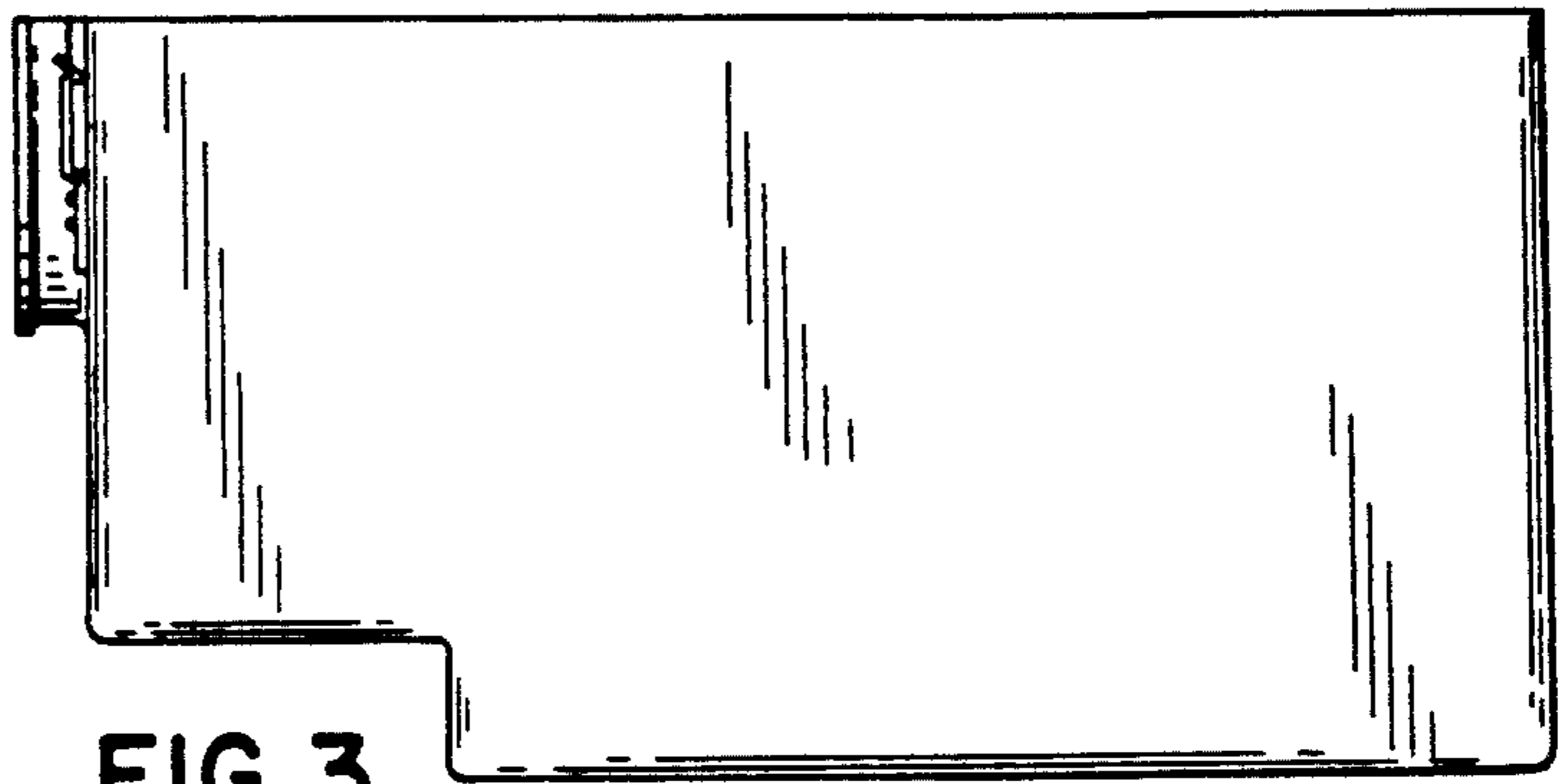


FIG. 4

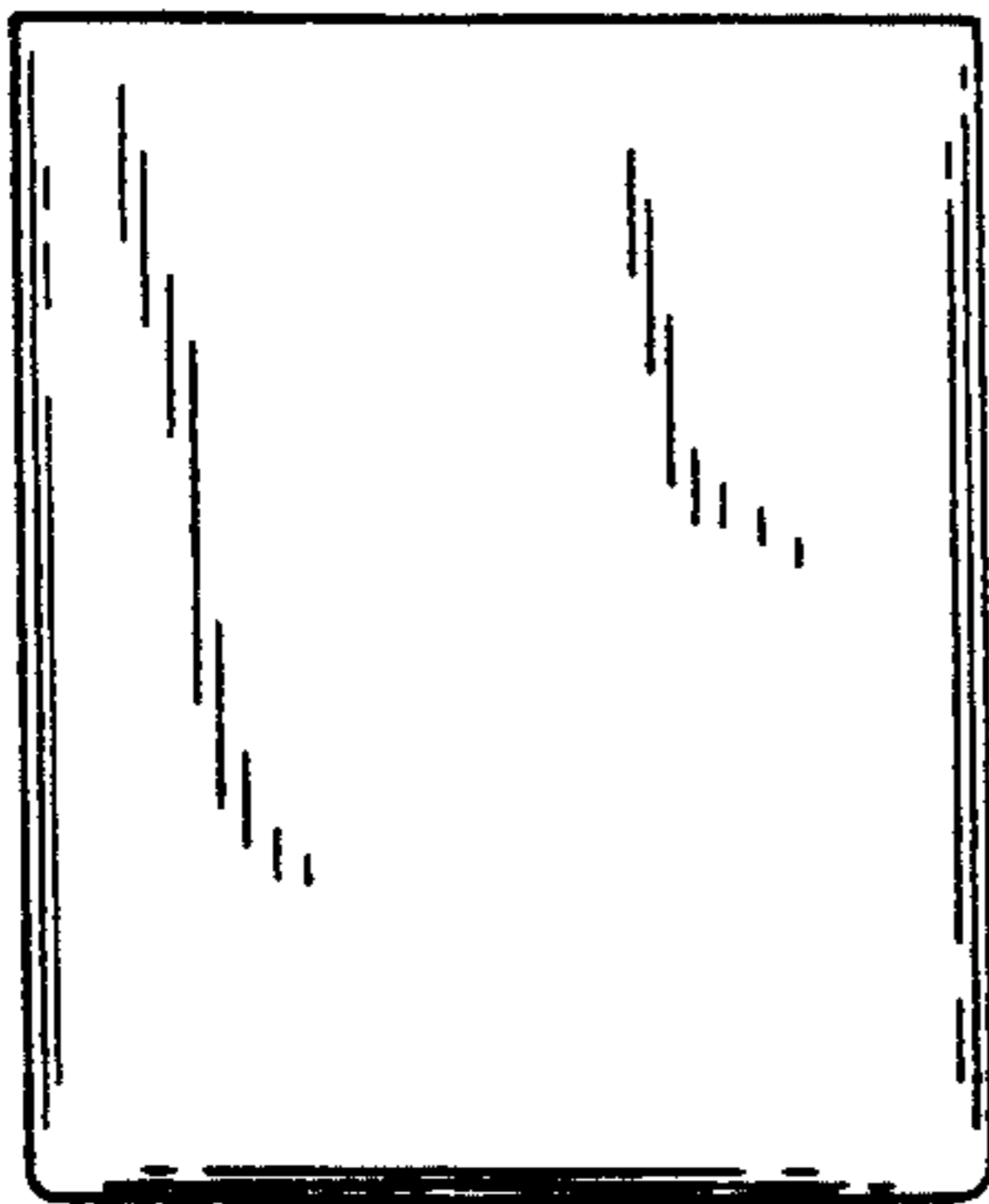
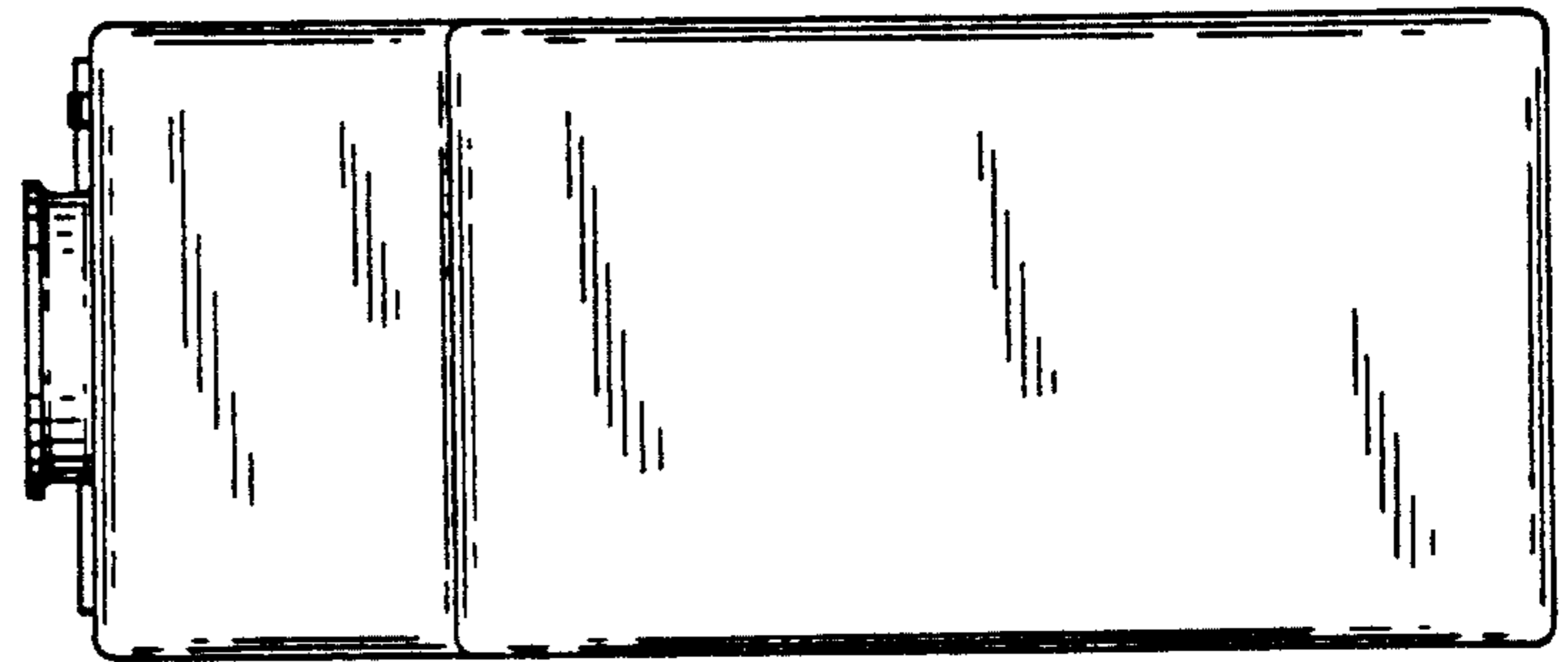


FIG. 7

FIG. 5

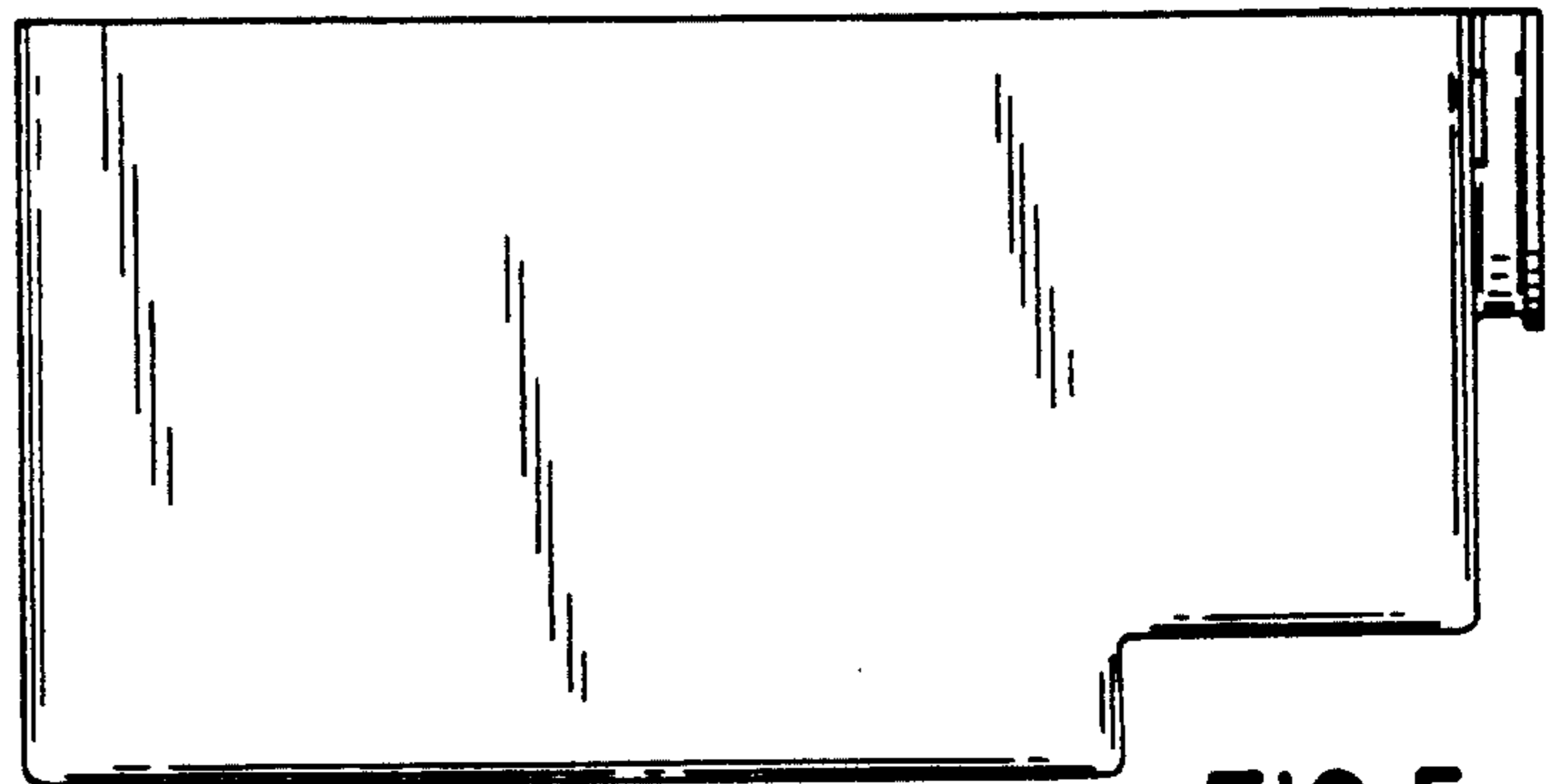


FIG. 5