



US00D346456S

United States Patent [19]

[11] Patent Number: **Des. 346,456**

Matsumura et al.

[45] Date of Patent: **** Apr. 26, 1994**

[54] **SELF-BALLASTED COMPACT FLUORESCENT LAMP**

D. 291,358	8/1987	Witte	D26/3
D. 302,861	8/1989	Tayama	D26/3
D. 304,377	10/1989	Fujita et al.	D26/3
4,777,405	10/1988	Hermes et al.	313/493 X

[75] Inventors: **Takeshi Matsumura; Tsunetaka Araki**, both of Osaka, Japan

Primary Examiner—Susan J. Lucas
Attorney, Agent, or Firm—Sughrue, Mion, Zinn, Macpeak & Seas

[73] Assignee: **Matsushita Electronics Corporation**, Osaka, Japan

[**] Term: **14 Years**

[57] CLAIM

[21] Appl. No.: **6,554**

The ornamental design for a self-ballasted compact fluorescent lamp, as shown.

[22] Filed: **Mar. 31, 1993**

DESCRIPTION

[30] **Foreign Application Priority Data**

Nov. 16, 1992 [JP] Japan 4-33811

[52] U.S. Cl. **D26/3**

[58] Field of Search 313/315, 318, 493; 315/56, 57, 58, 63; D26/2, 3, 26

FIG. 1 is a front, top and right side perspective view of a self-ballasted compact fluorescent lamp showing our new design;

FIG. 2 is a front elevational view thereof;

FIG. 3 is a right side elevational view thereof;

FIG. 4 is a left side elevational view thereof;

FIG. 5 is a rear elevational view thereof;

FIG. 6 is a top plan view thereof; and,

FIG. 7 is a bottom plan view thereof.

[56] **References Cited**

U.S. PATENT DOCUMENTS

D. 289,798 5/1987 Joosten D26/3

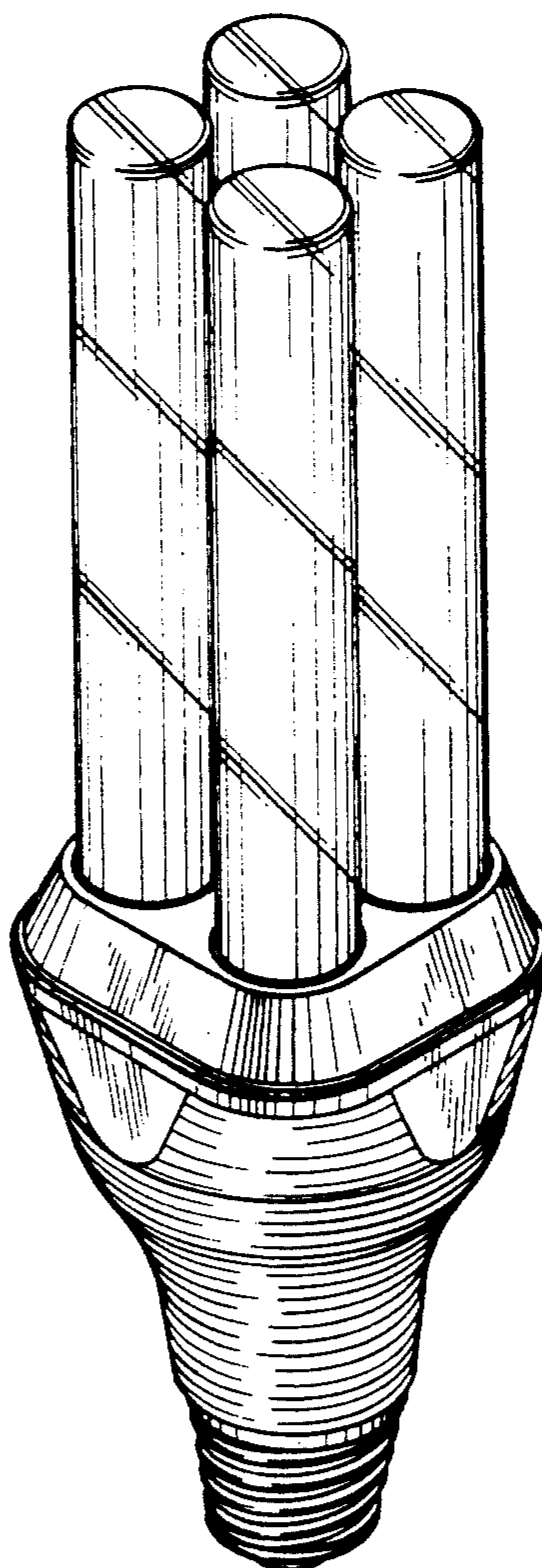


FIG. 1

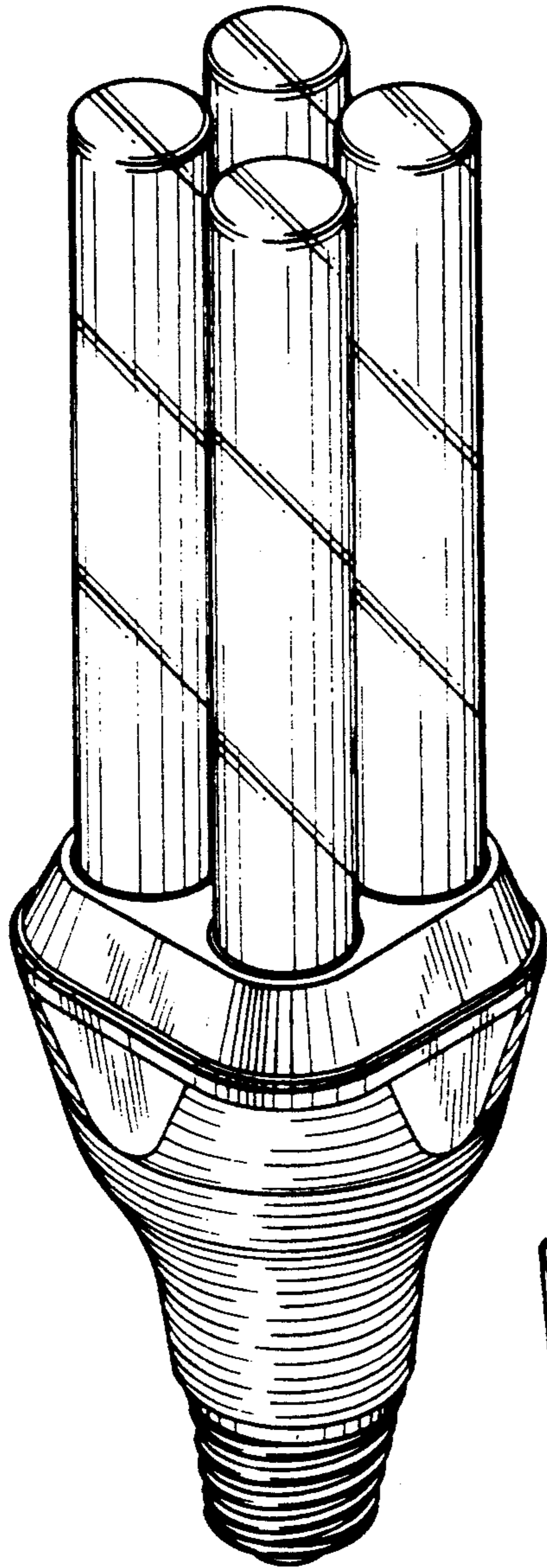


FIG. 2

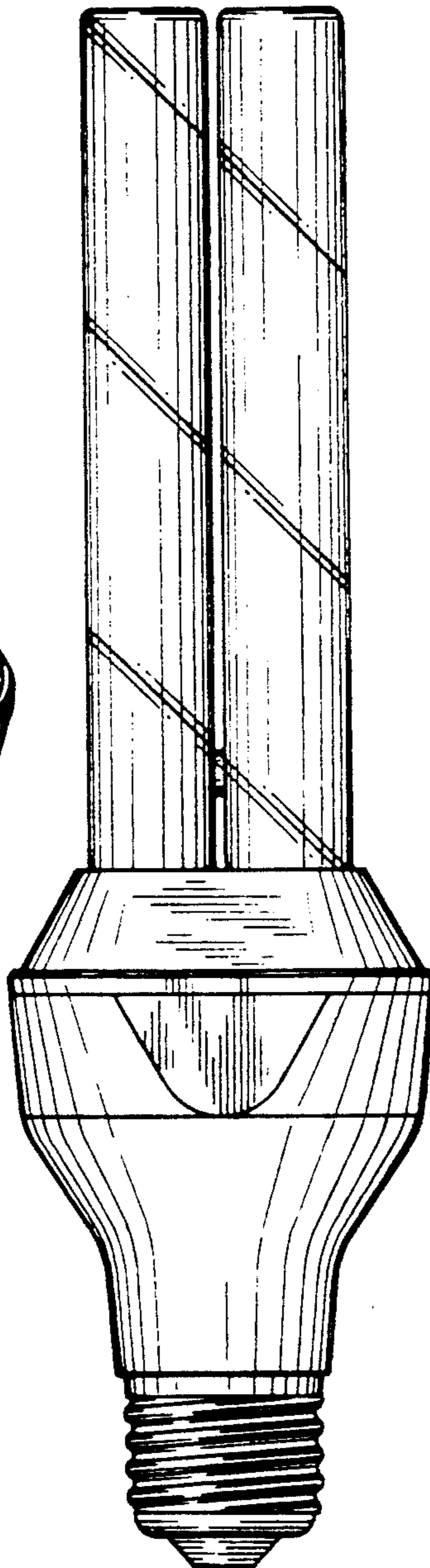


FIG. 3

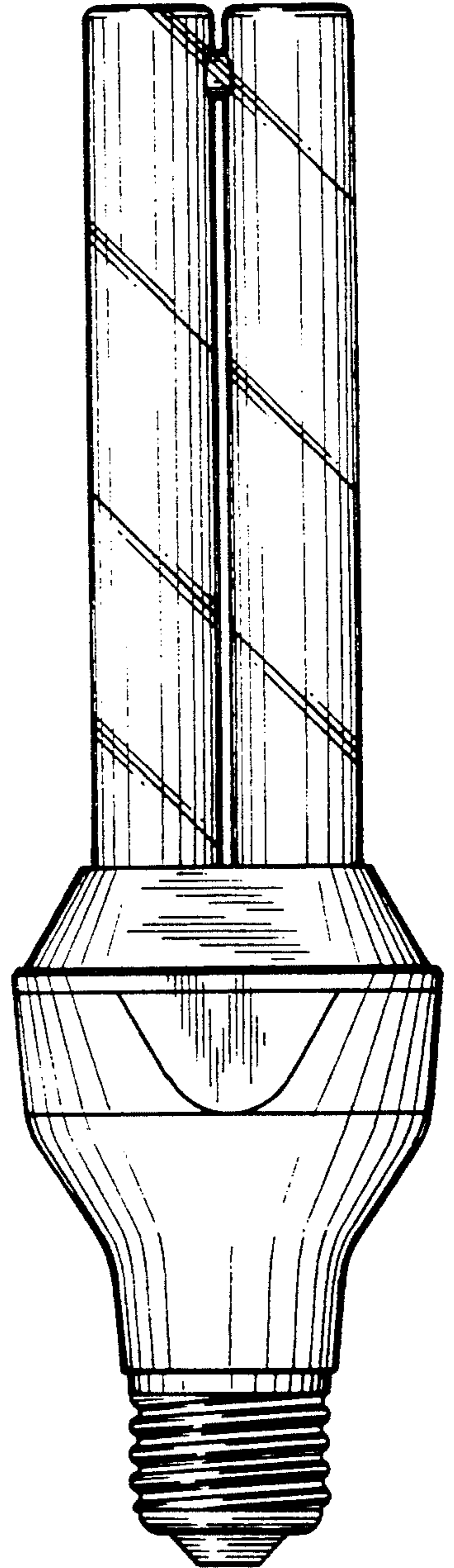


FIG. 4

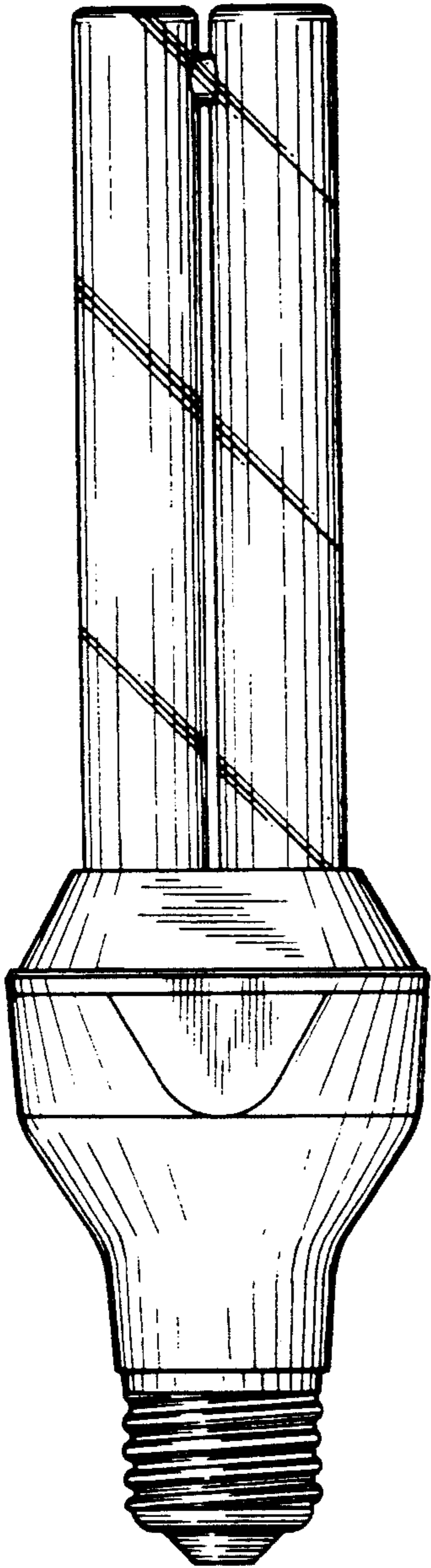


FIG. 5

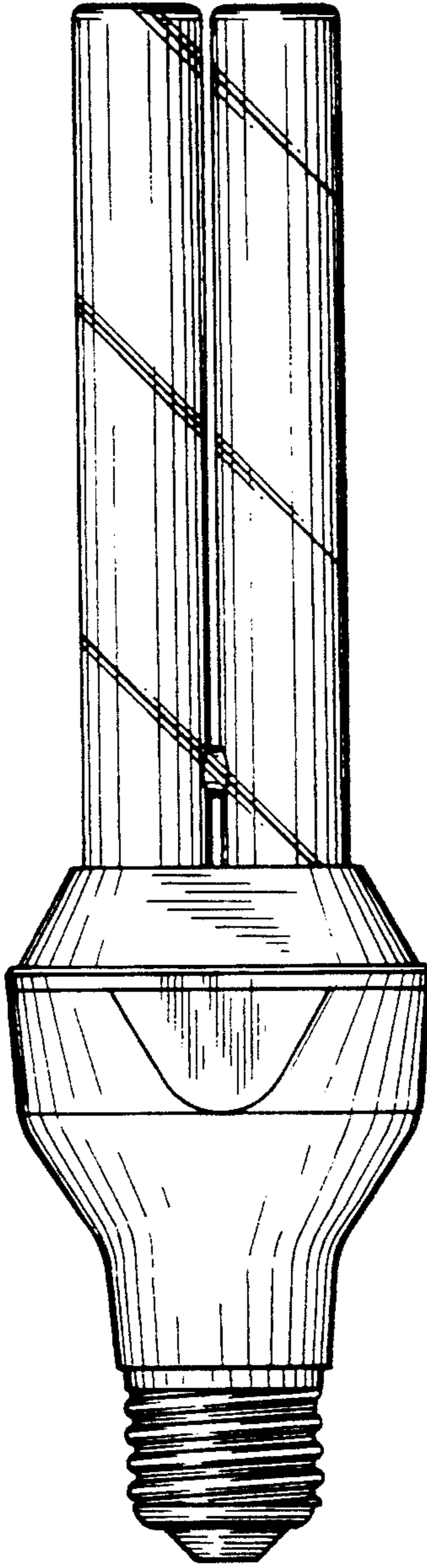


FIG. 6

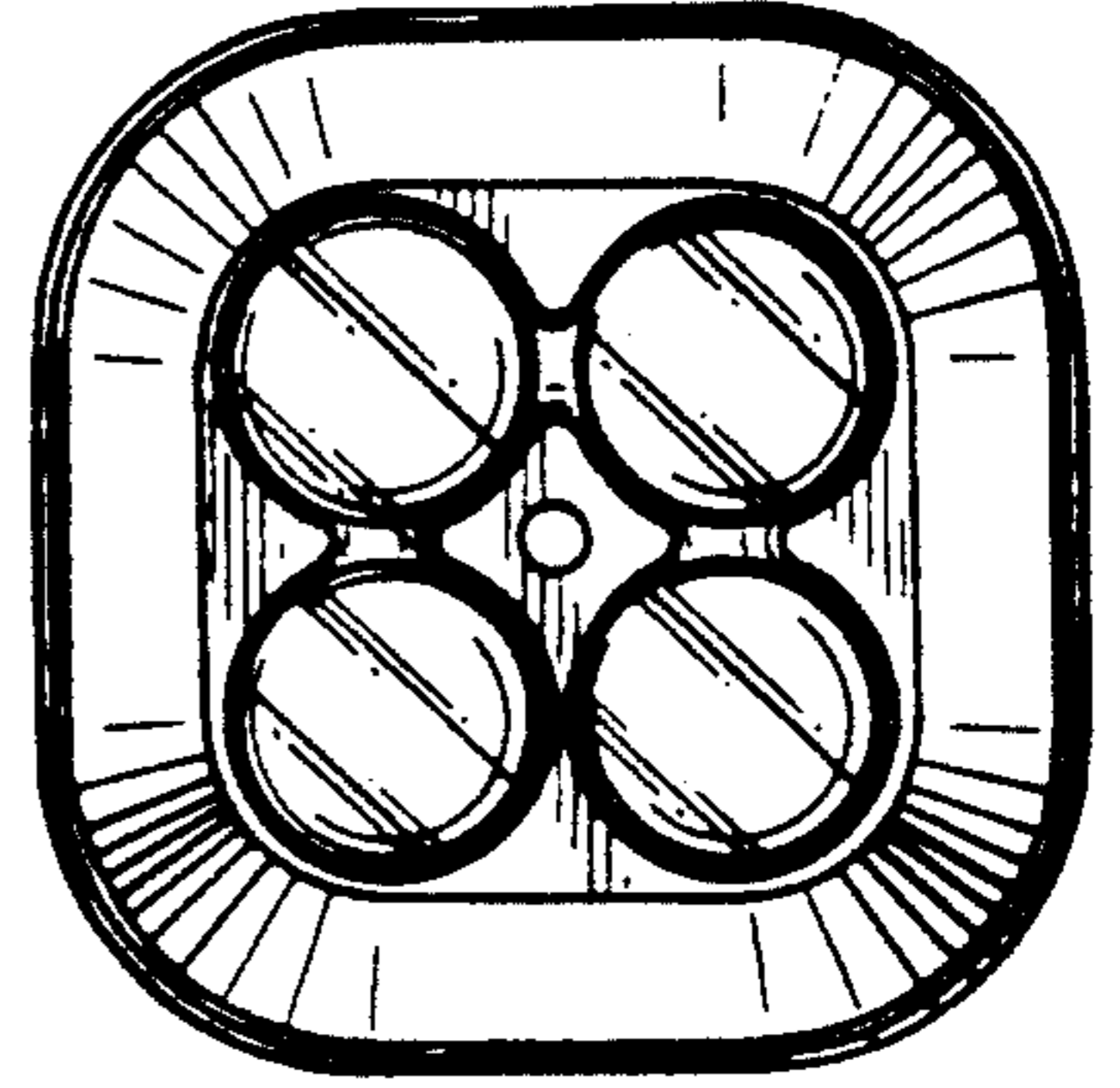


FIG. 7

