



US00D346452S

United States Patent [19]

[11] Patent Number: **Des. 346,452**

Bancroft

[45] Date of Patent: **** Apr. 26, 1994**

[54] **FRAME SILL**

Assistant Examiner—Doris Clark
Attorney, Agent, or Firm—MacDonald J. Wiggins

[76] Inventor: **Joseph C. Bancroft**, 134 Harmony La., McComb, Miss. 39648

[57] **CLAIM**

The ornamental design for a frame sill, as shown and described.

[**] Term: **14 Years**

[21] Appl. No.: **940,834**

DESCRIPTION

[22] Filed: **Sep. 8, 1992**

[52] U.S. Cl. **D25/124**

[58] Field of Search 49/504, 501, DIG. 2;
D25/60, 124

FIG. 1 is a fragmentary top perspective view of the frame sill showing my design;

FIG. 2 is a top plan view thereof broken away to indicate indeterminate length;

FIG. 3 is a bottom plan view thereof broken away to indicate indeterminate length;

FIG. 4 is a front elevational view thereof in which the rear elevational view is a mirror image of the front view;

FIG. 5 is a right elevational view thereof broken away to indicate indeterminate length; and,

FIG. 6 is a left elevational view thereof broken away to indicate indeterminate length.

[56] **References Cited**

U.S. PATENT DOCUMENTS

D. 285,610	9/1986	Slocomb, Jr.	D25/124
D. 306,081	2/1990	Whitney	D25/119
D. 314,241	1/1991	Slocomb, Jr.	D25/124
4,949,506	8/1990	Dorhan, Jr.	49/DIG. 2

Primary Examiner—A. Hugo Word

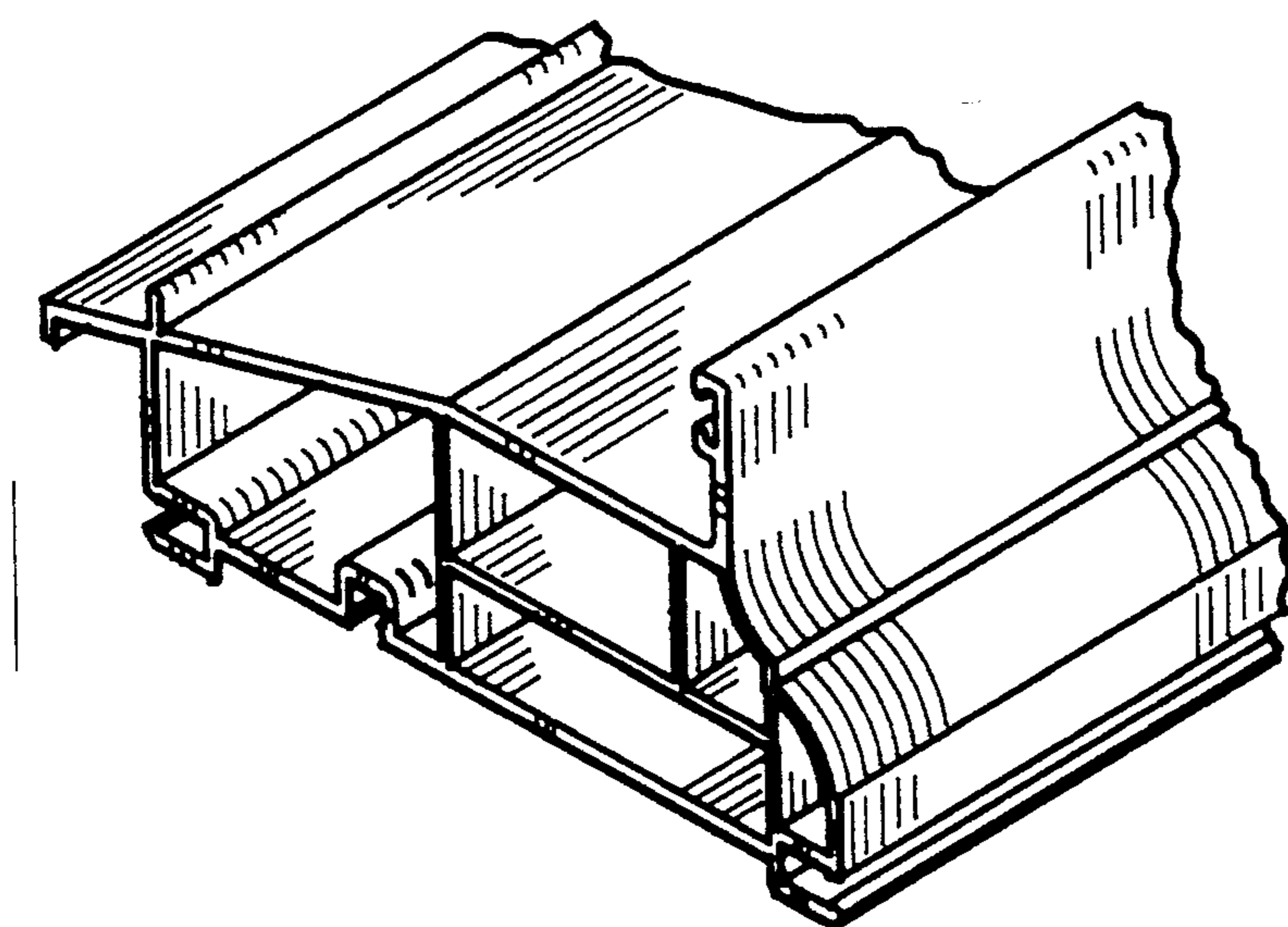


FIG. 1

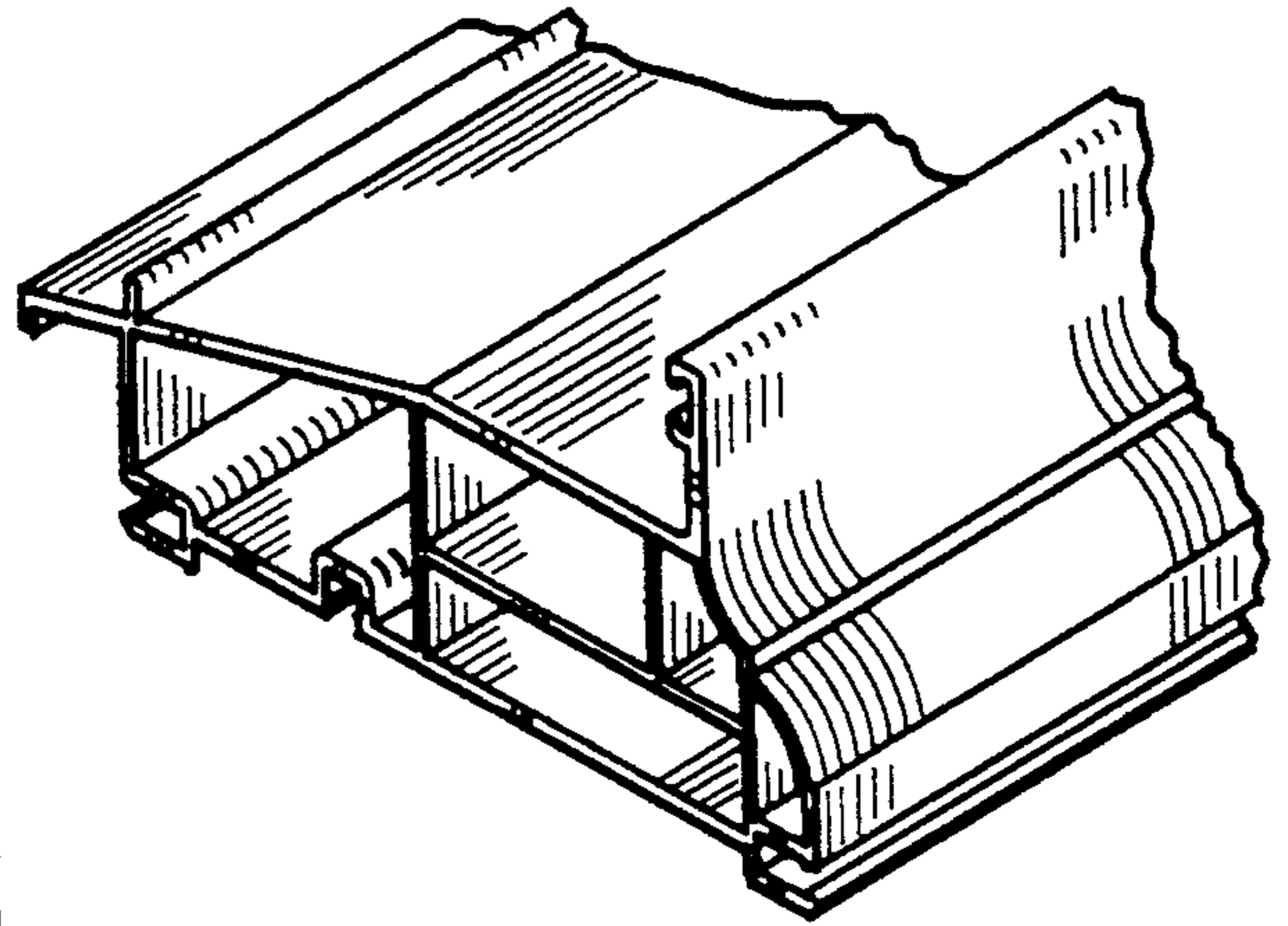


FIG. 2

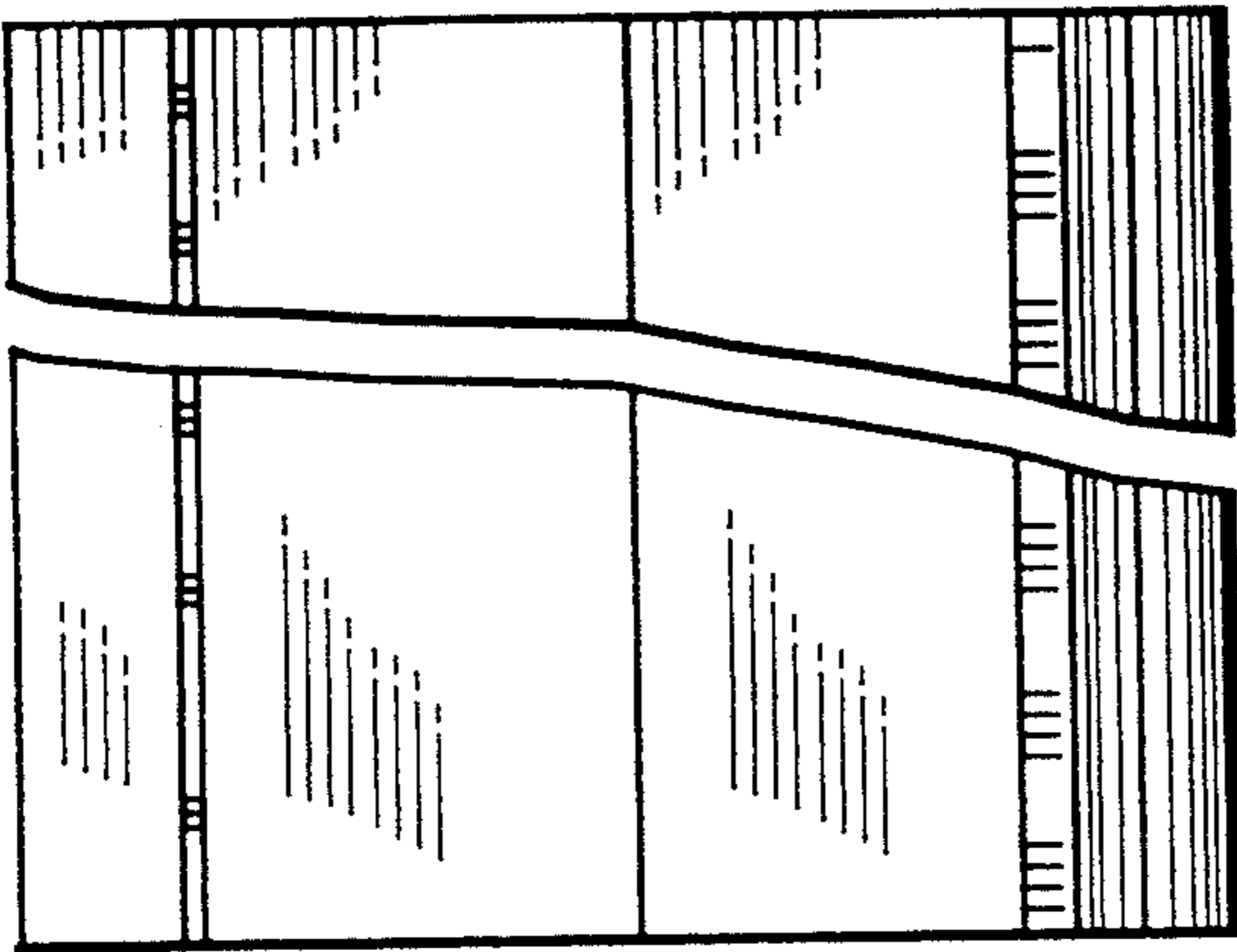


FIG. 5

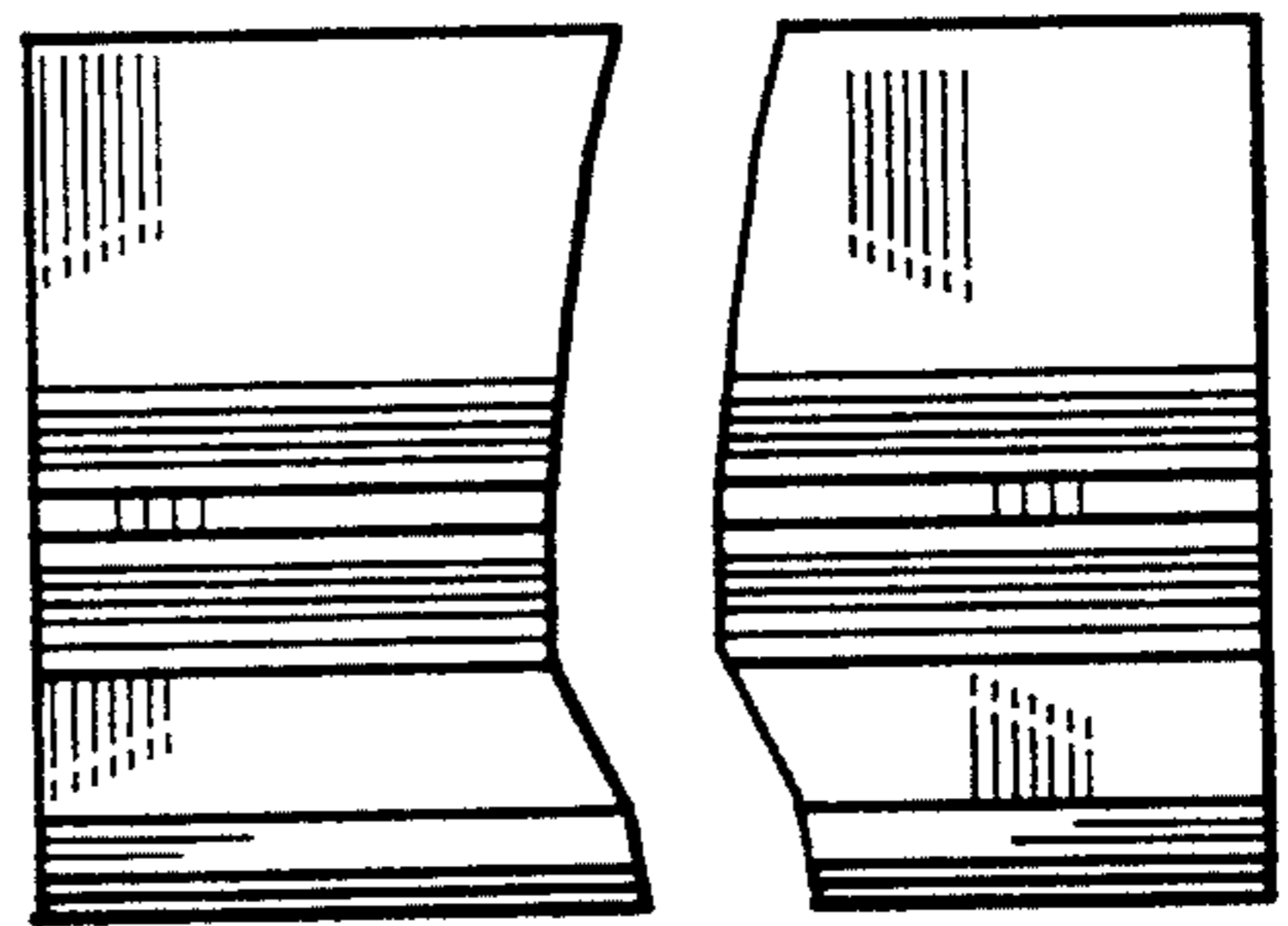


FIG. 3

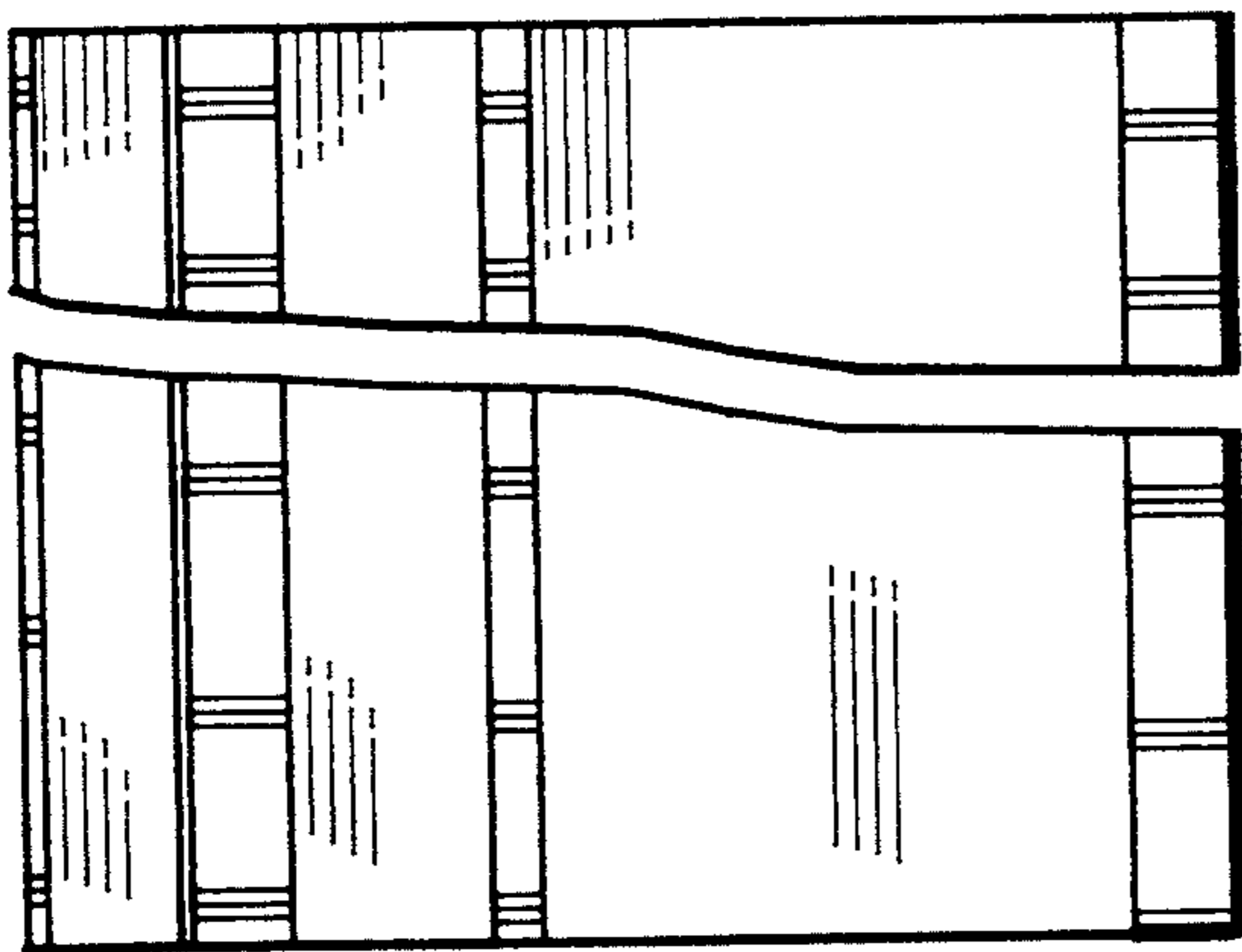


FIG. 6

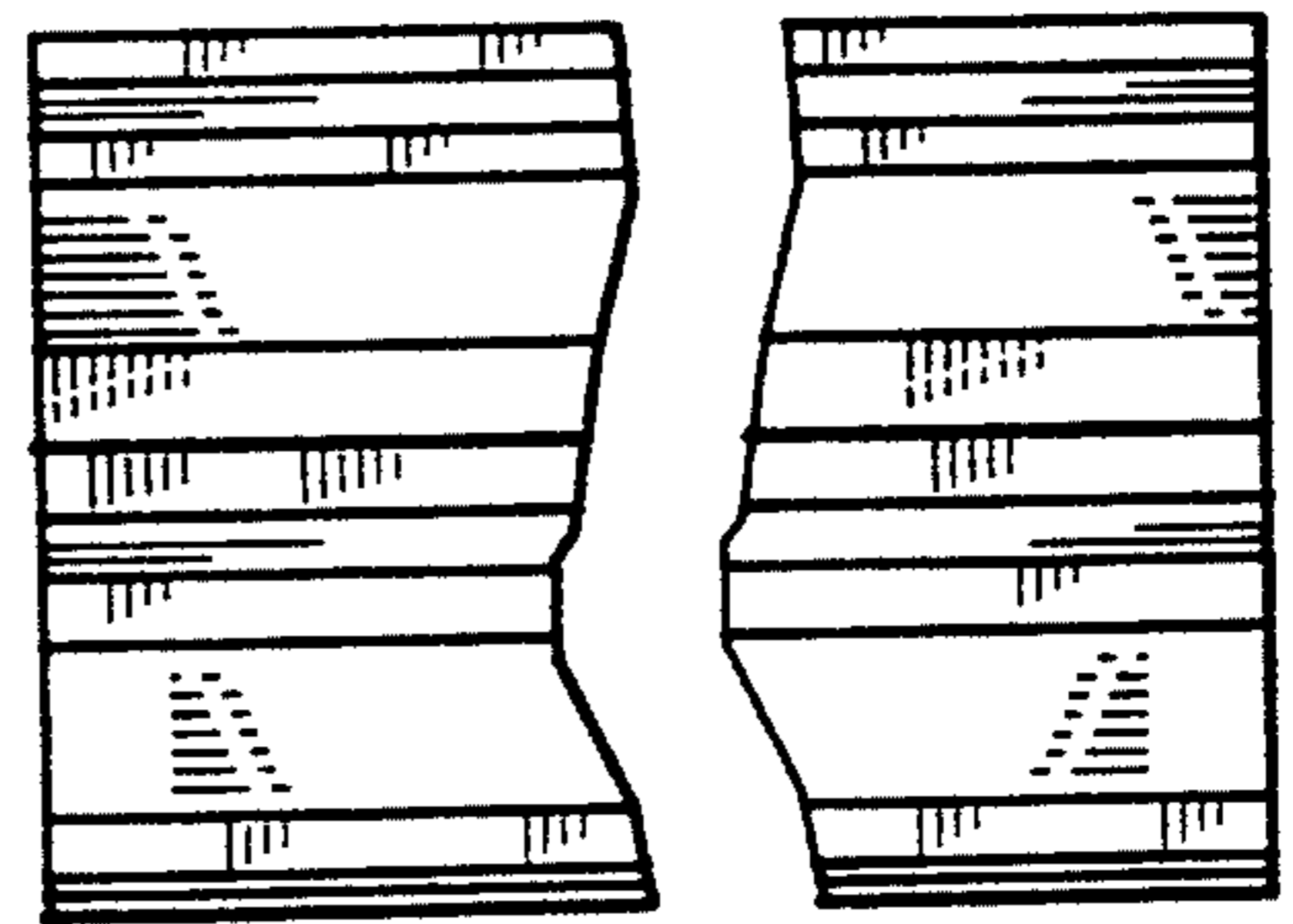


FIG. 4

