



US00D346449S

United States Patent [19]

[11] Patent Number: **Des. 346,449**

Cheng

[45] Date of Patent: **** Apr. 26, 1994**

[54] **MASSAGER**

2,895,469 7/1959 Regley 128/57

[76] Inventor: **Tzu-Keng Cheng**, 197 Shin-Sheng St.,
Chung-Ho City, Taipei, Taiwan

Primary Examiner—Stella Reid
Attorney, Agent, or Firm—Bacon & Thomas

[**] Term: **14 Years**

[57] **CLAIM**

[21] Appl. No.: **872,425**

The ornamental design for a massager, as shown and described.

[22] Filed: **Apr. 23, 1992**

[52] U.S. Cl. **D24/211; D24/214**

DESCRIPTION

[58] **Field of Search** 128/36, 41, 42, 56-58,
128/60, 61, 62, 67; D24/200, 211, 212, 213, 214

FIG. 1 is a perspective view of a massager showing my new design;

FIG. 2 is a front elevational view thereof;

FIG. 3 is a side elevational view thereof; opposite side corresponds;

FIG. 4 is a back elevational view thereof;

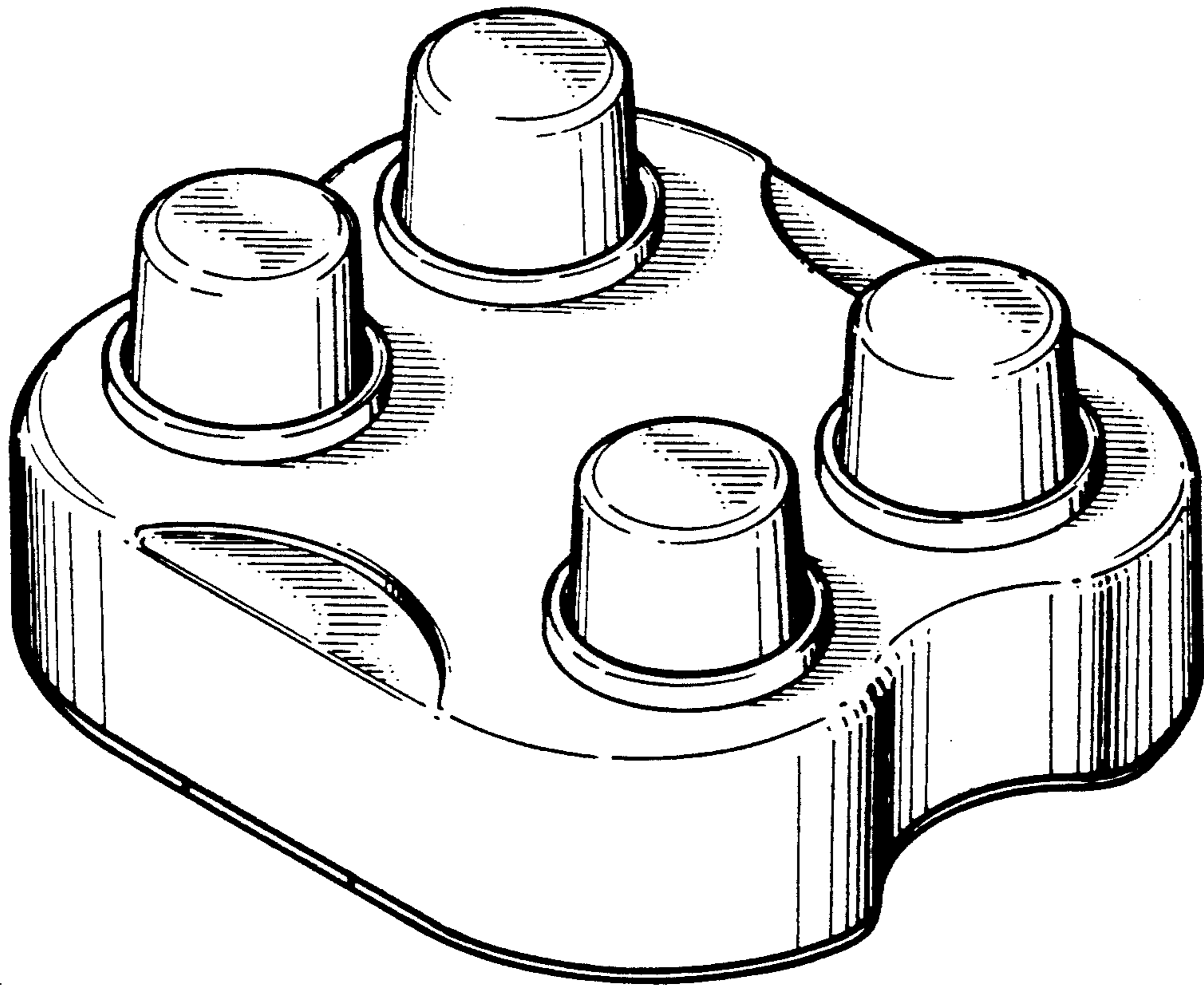
FIG. 5 is a top plan view thereof; and,

FIG. 6 is a bottom plan view thereof.

[56] **References Cited**

U.S. PATENT DOCUMENTS

D. 262,908	2/1982	Pesco	D24/214
D. 269,376	6/1983	Nakao et al.	D24/211
D. 280,664	9/1985	Ishida	D24/211



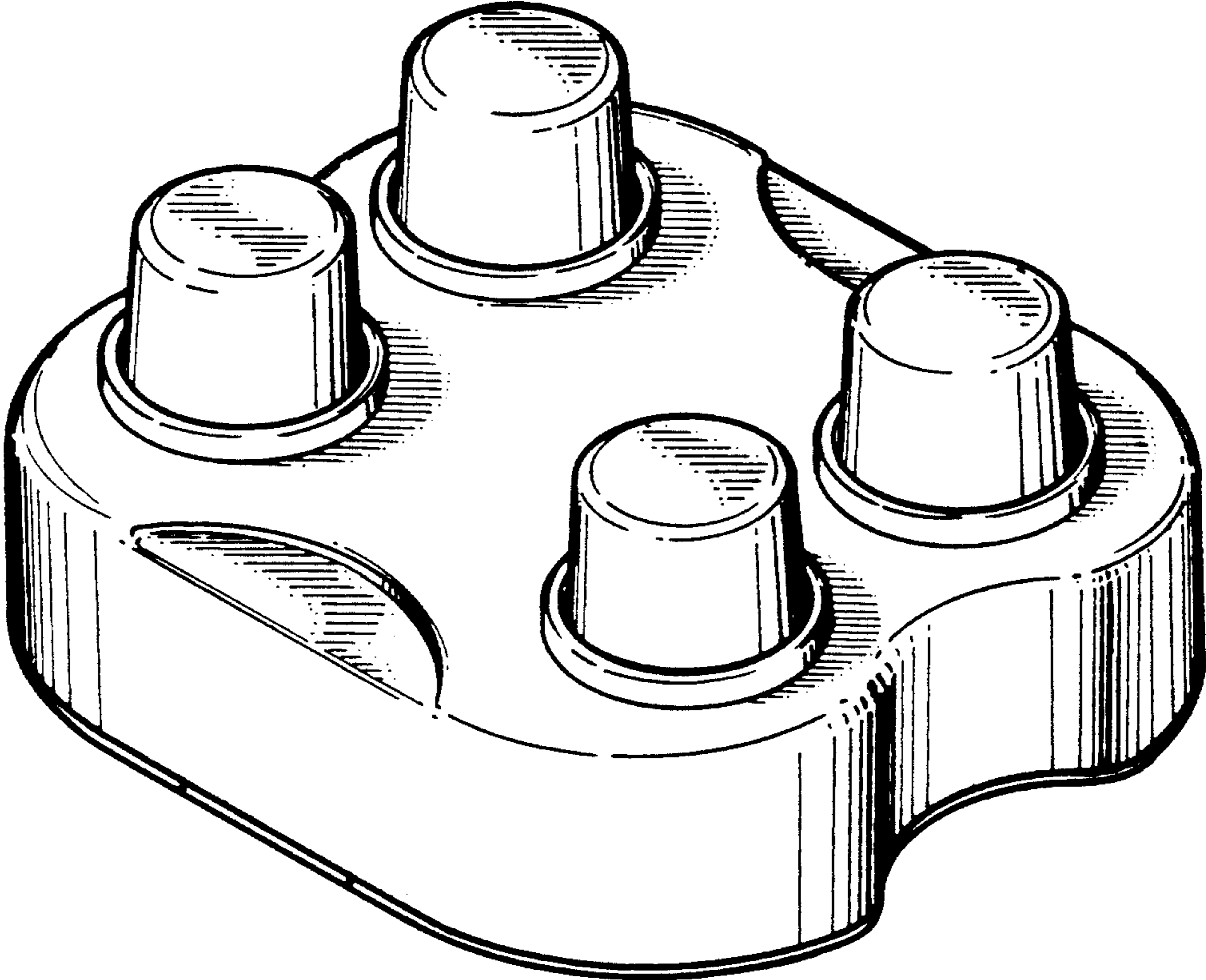


Fig. 1

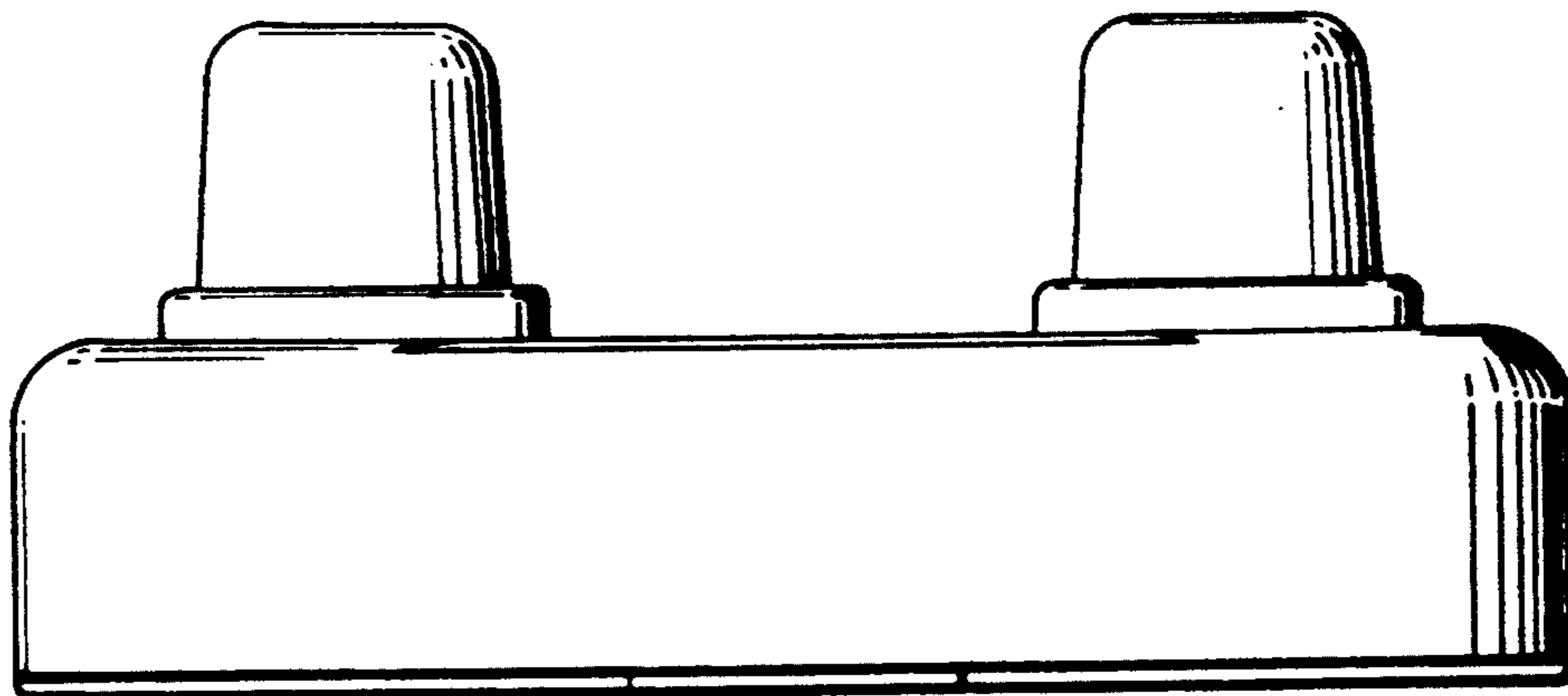


Fig. 2

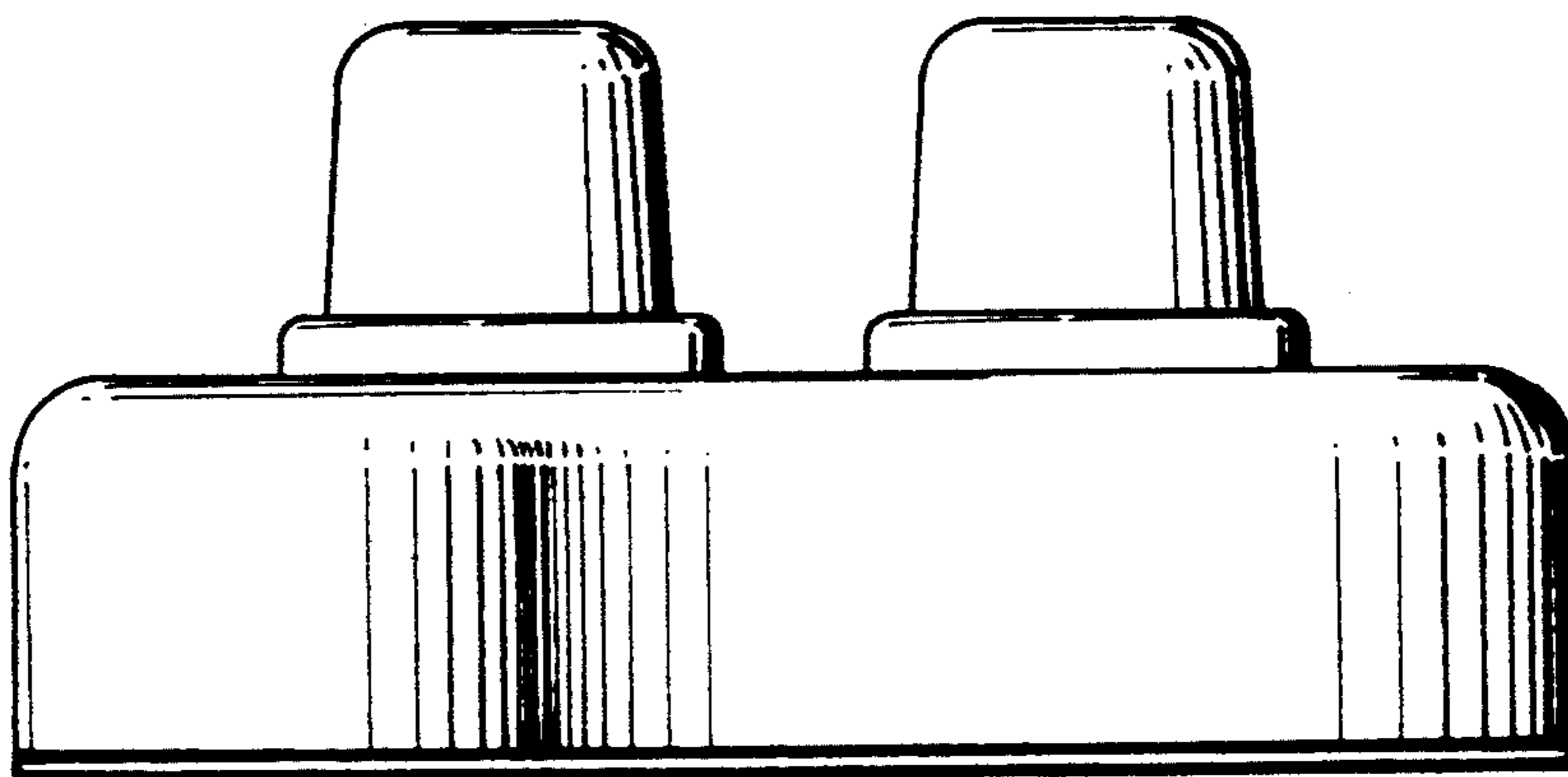


Fig. 3

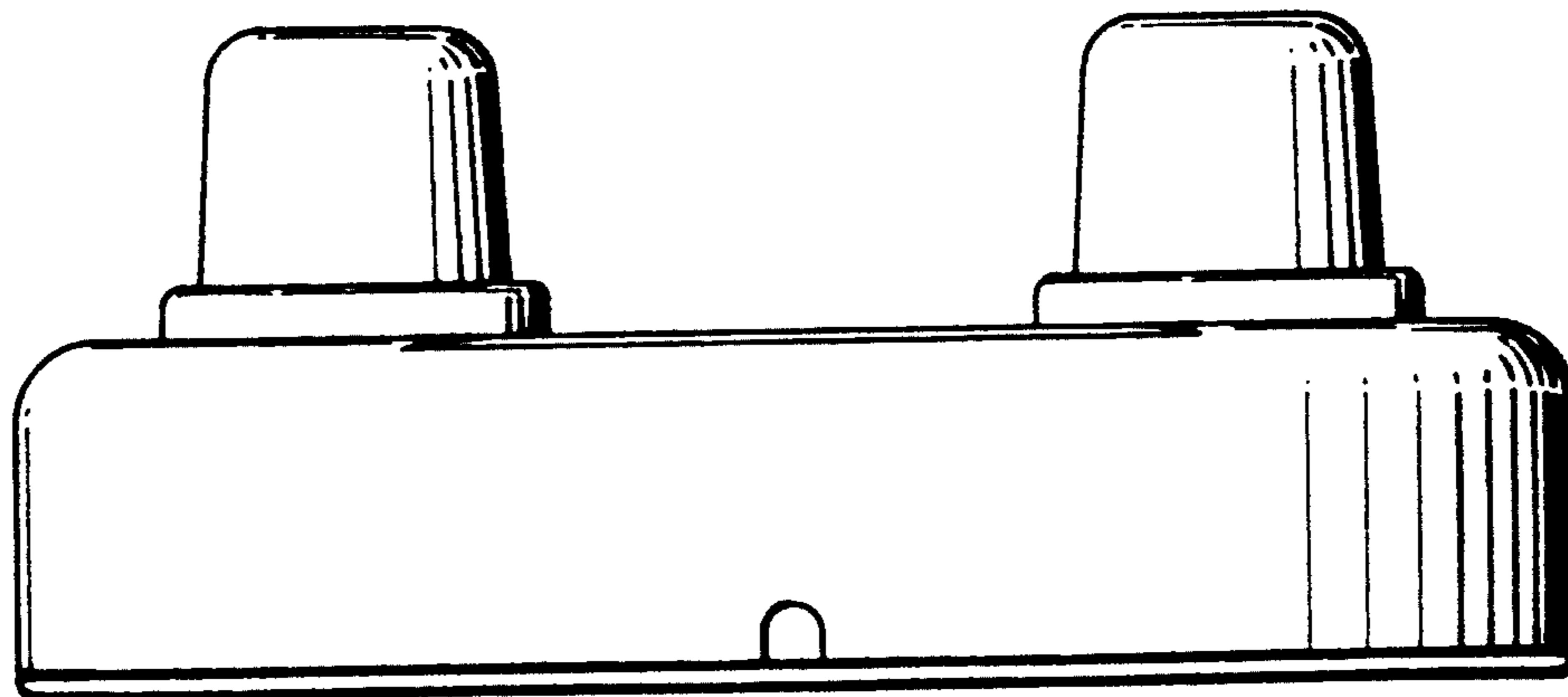


Fig. 4

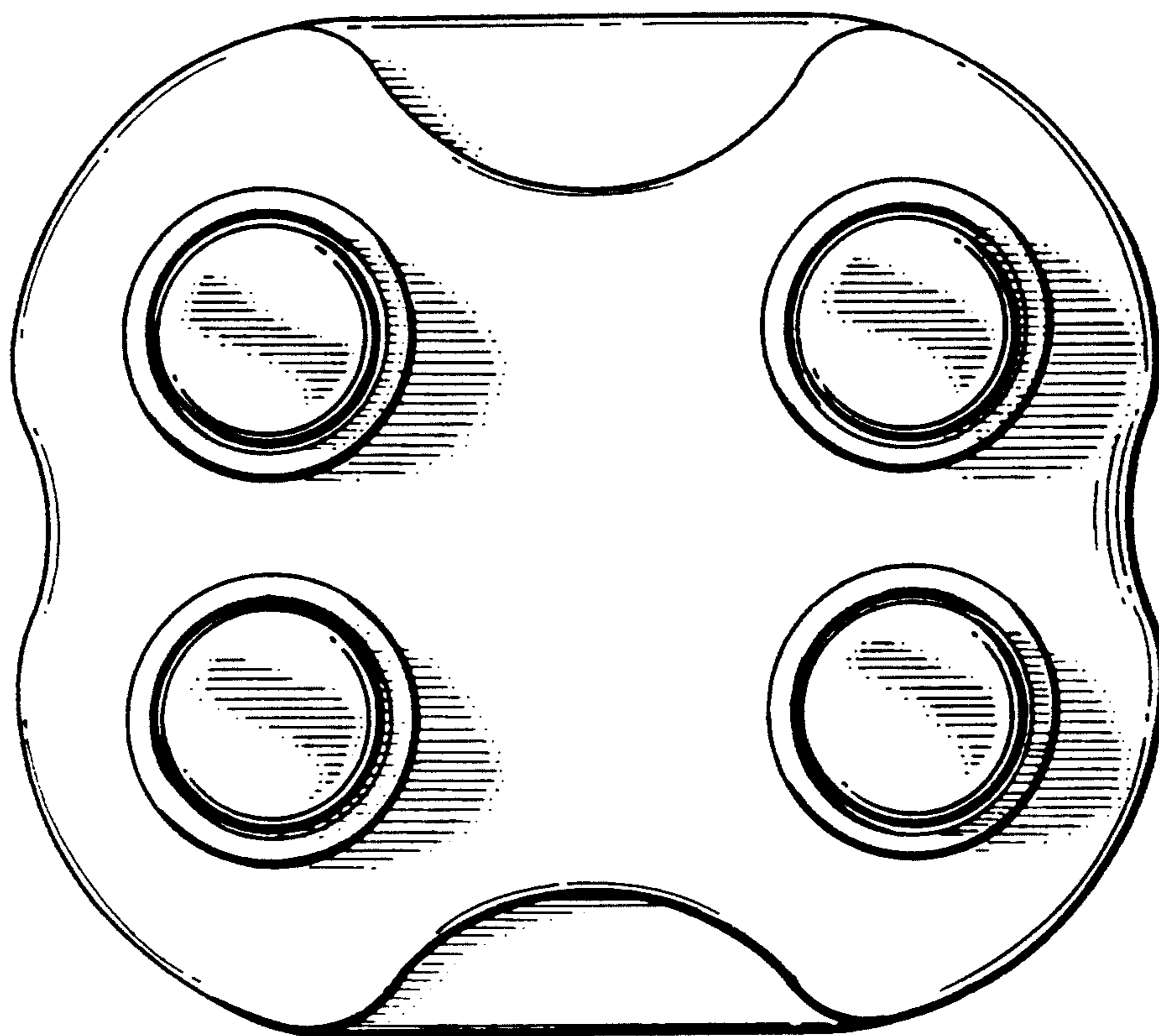


Fig. 5

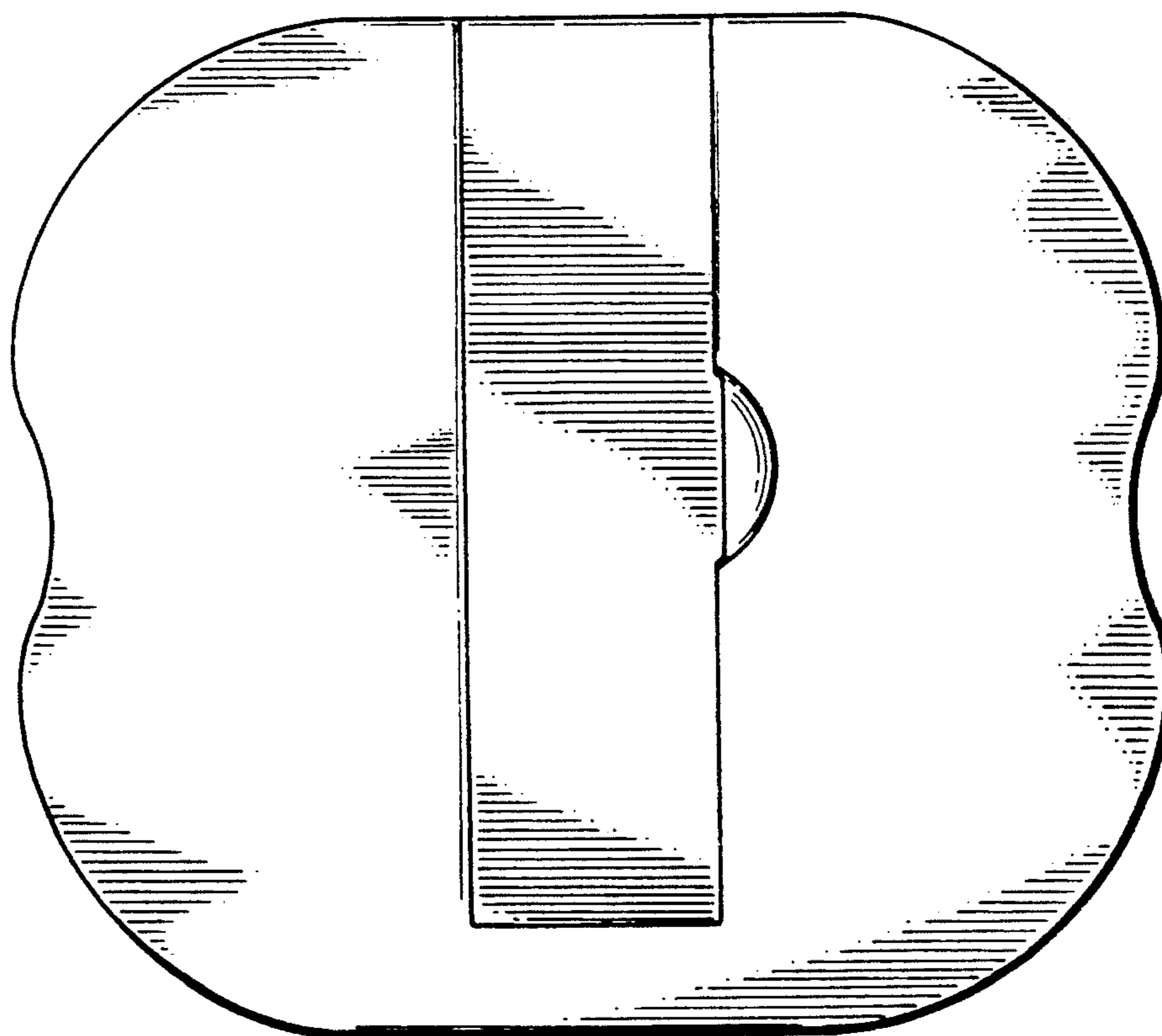


Fig. 6