



US00D346448S

# United States Patent [19]

[11] Patent Number: **Des. 346,448**

Hödlund

[45] Date of Patent: **\*\* Apr. 26, 1994**

[54] SOLARIUM BED

[76] Inventor: **Urban Hödlund**, Stavby, S-74050  
Alunda, Sweden

[\*\*] Term: **14 Years**

[21] Appl. No.: **895,873**

[22] Filed: **Jun. 9, 1992**

[52] U.S. Cl. .... **D24/209**

[58] Field of Search ..... 607/90, 91, 95;  
D24/209, 210, 200, 158

[56] **References Cited**

**U.S. PATENT DOCUMENTS**

4,590,940	5/1986	Pizmans .....	607/91
4,600,009	7/1986	Kramer et al. ....	607/91
4,660,561	4/1987	Nielsen .....	607/91
4,881,548	11/1989	Kramer .....	607/91
4,993,091	2/1991	Draper et al. ....	607/91

*Primary Examiner*—Stella Reid  
*Assistant Examiner*—Eric Watterson  
*Attorney, Agent, or Firm*—Young & Thompson

[57] **CLAIM**

The ornamental design for a solarium bed, as shown and described.

**DESCRIPTION**

FIG. 1 is a front perspective view of the solarium bed showing my new design;

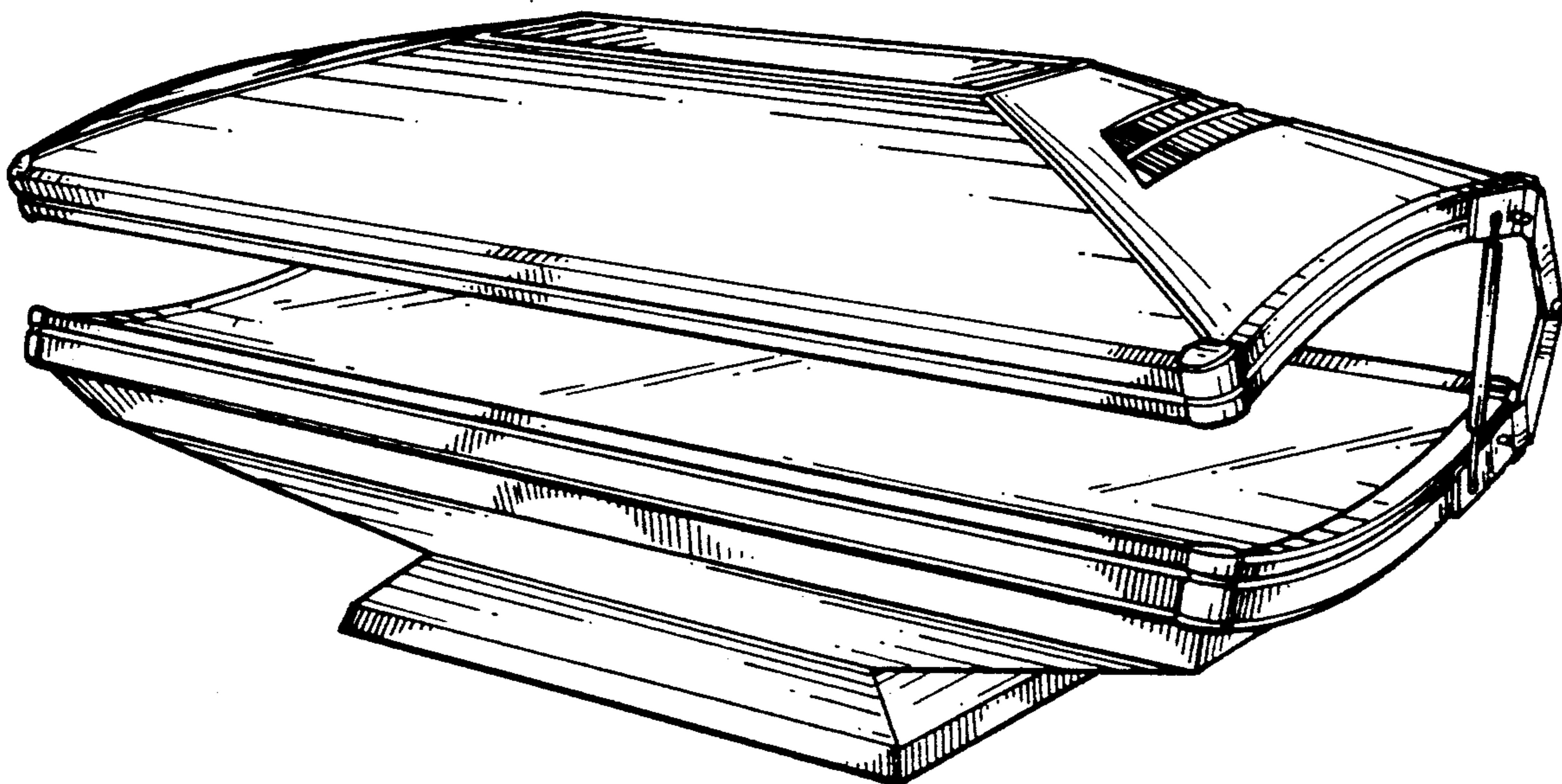
FIG. 2 is a rear perspective view of the solarium bed shown in FIG. 1, with the lid in an open state;

FIG. 3 is a front view of the solarium bed shown in FIG. 1;

FIG. 4 is an end view of the solarium bed shown in FIG. 1;

FIG. 5 is a rear view of the solarium bed shown in FIG. 1; and,

FIG. 6 is a plan view of the solarium bed shown in FIG. 1.



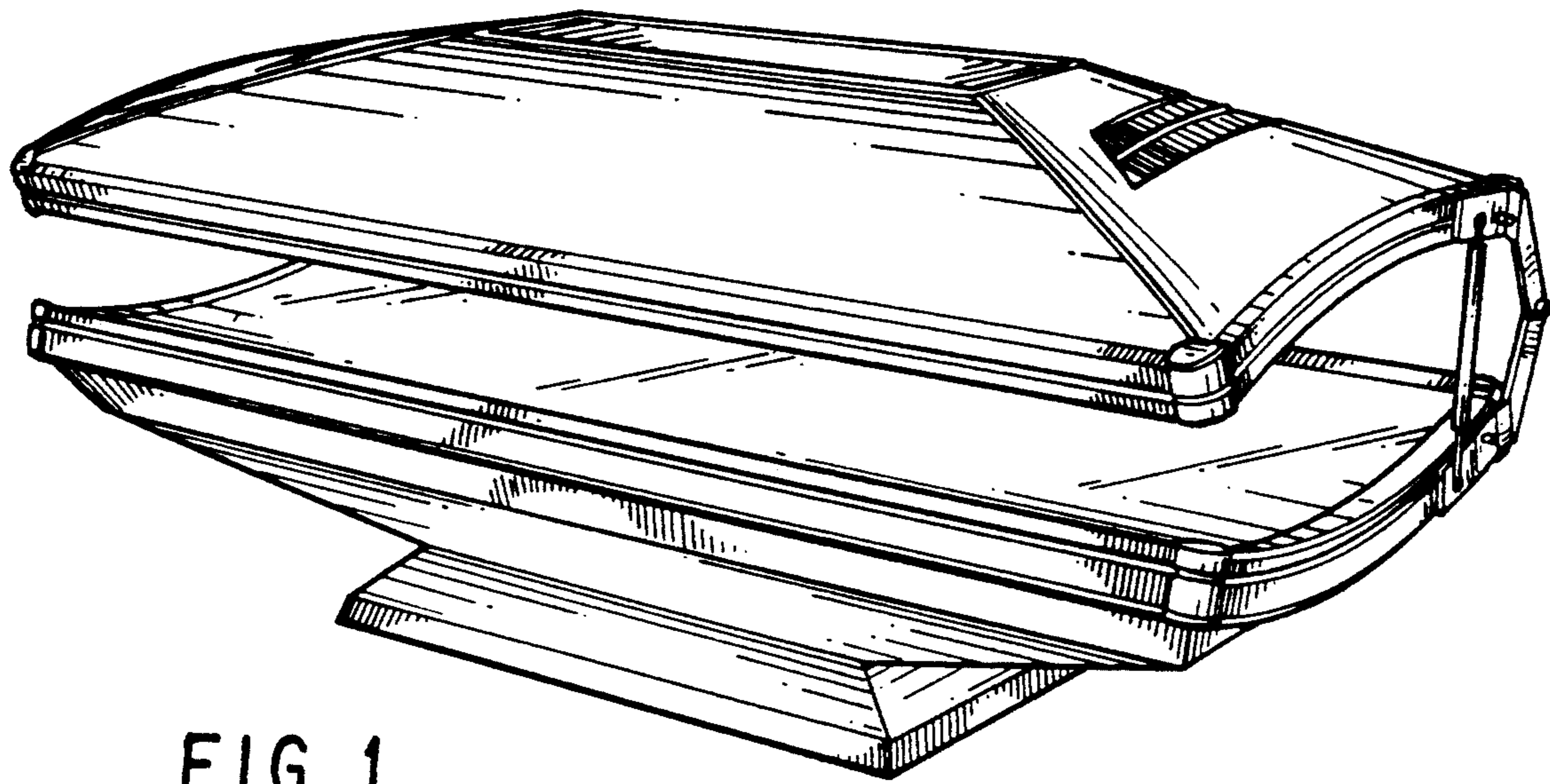


FIG. 1

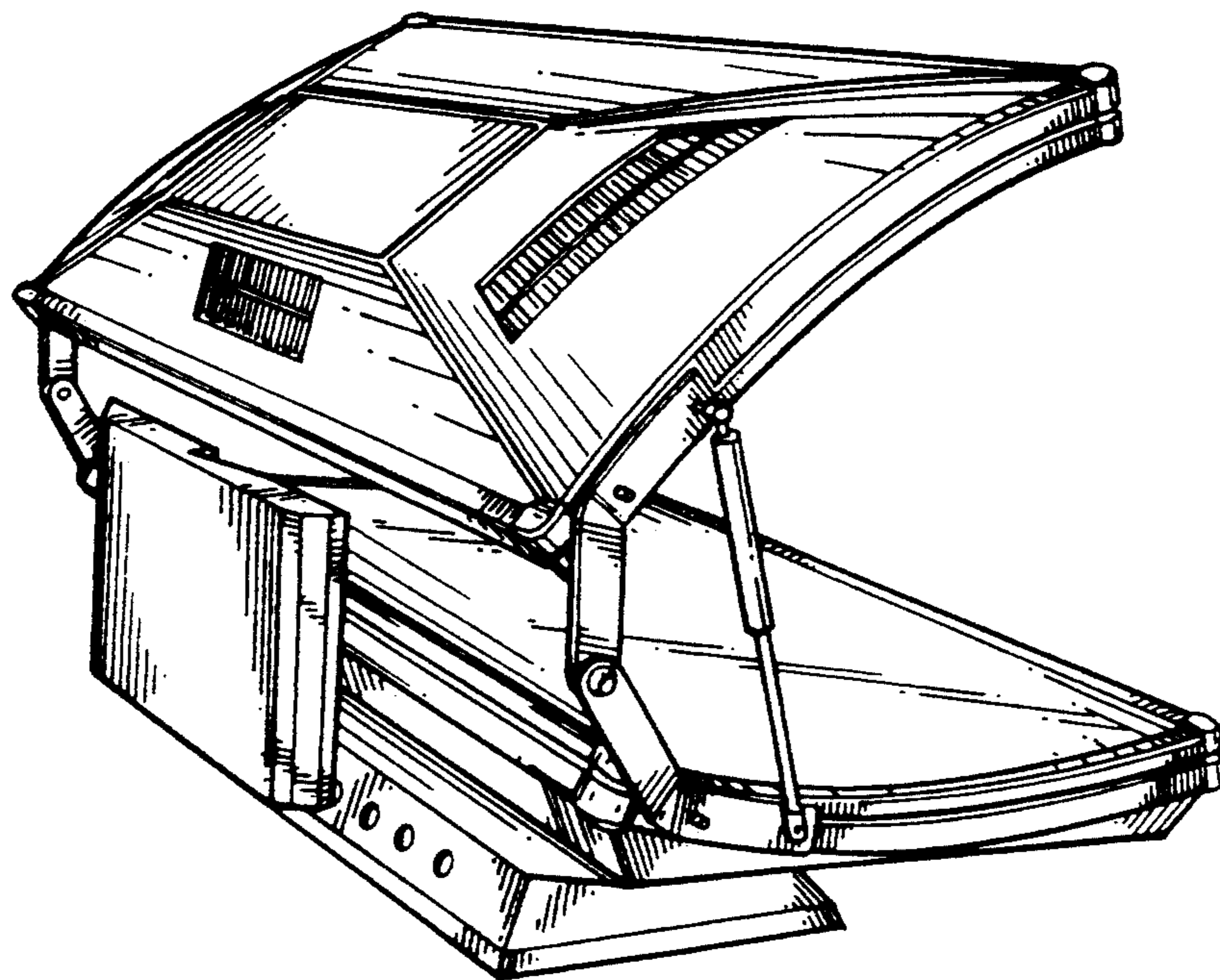


FIG. 2

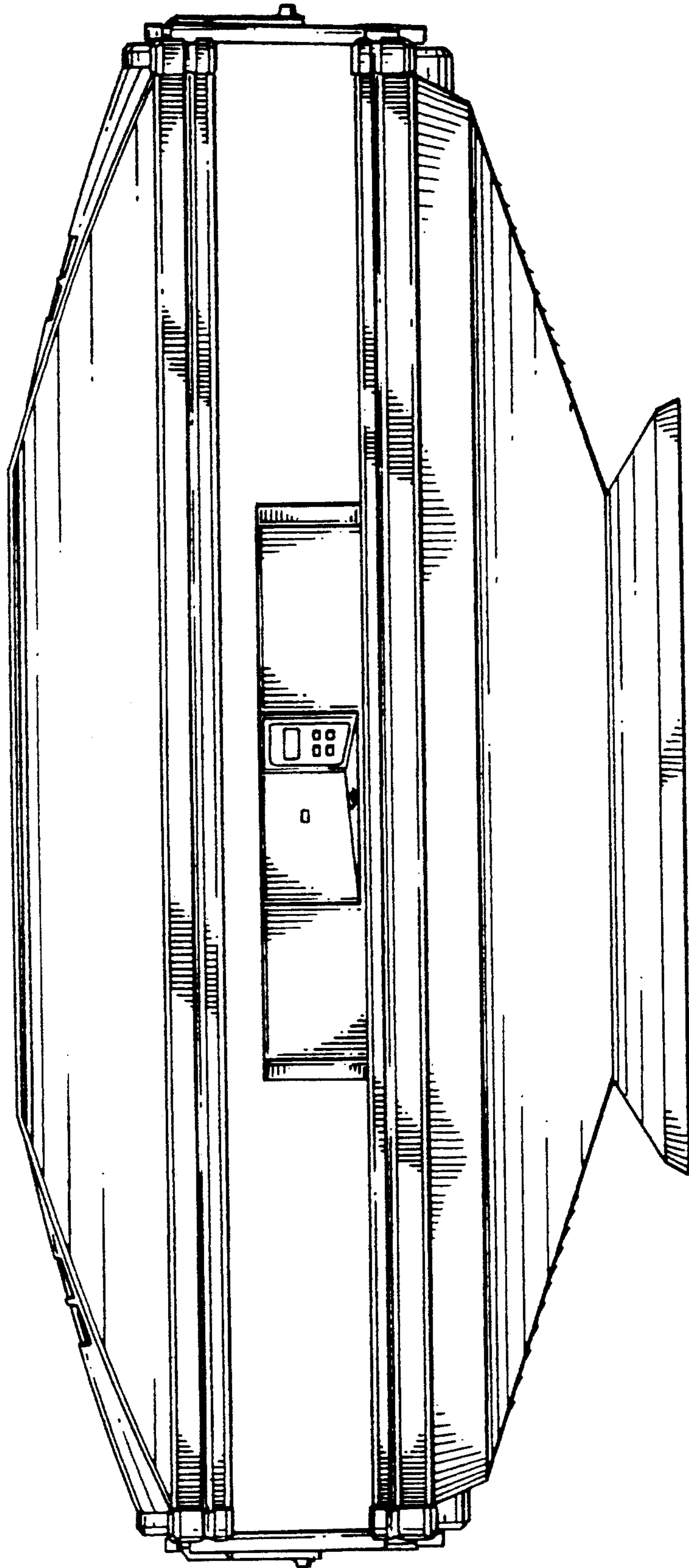


FIG. 3

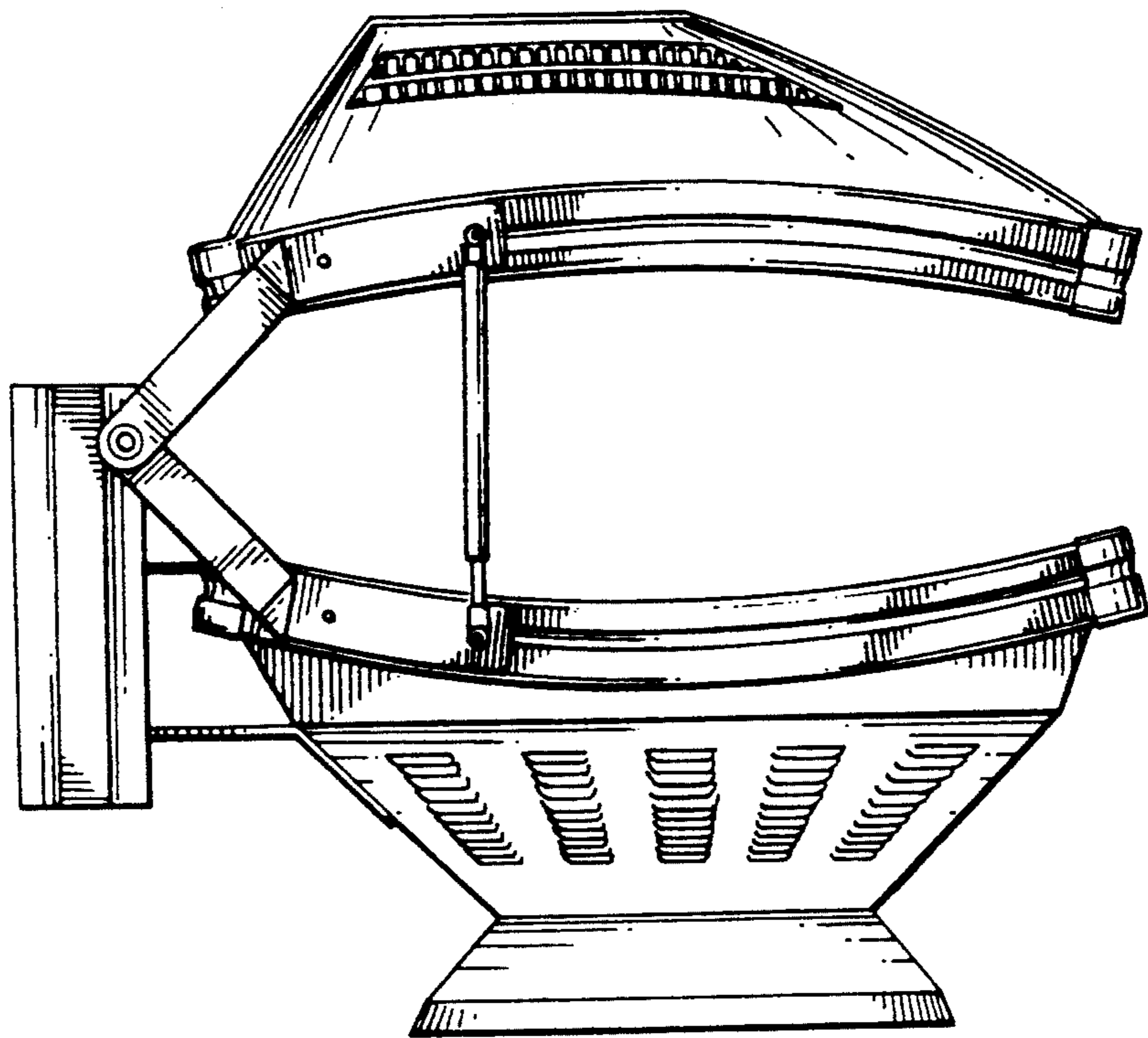


FIG. 4

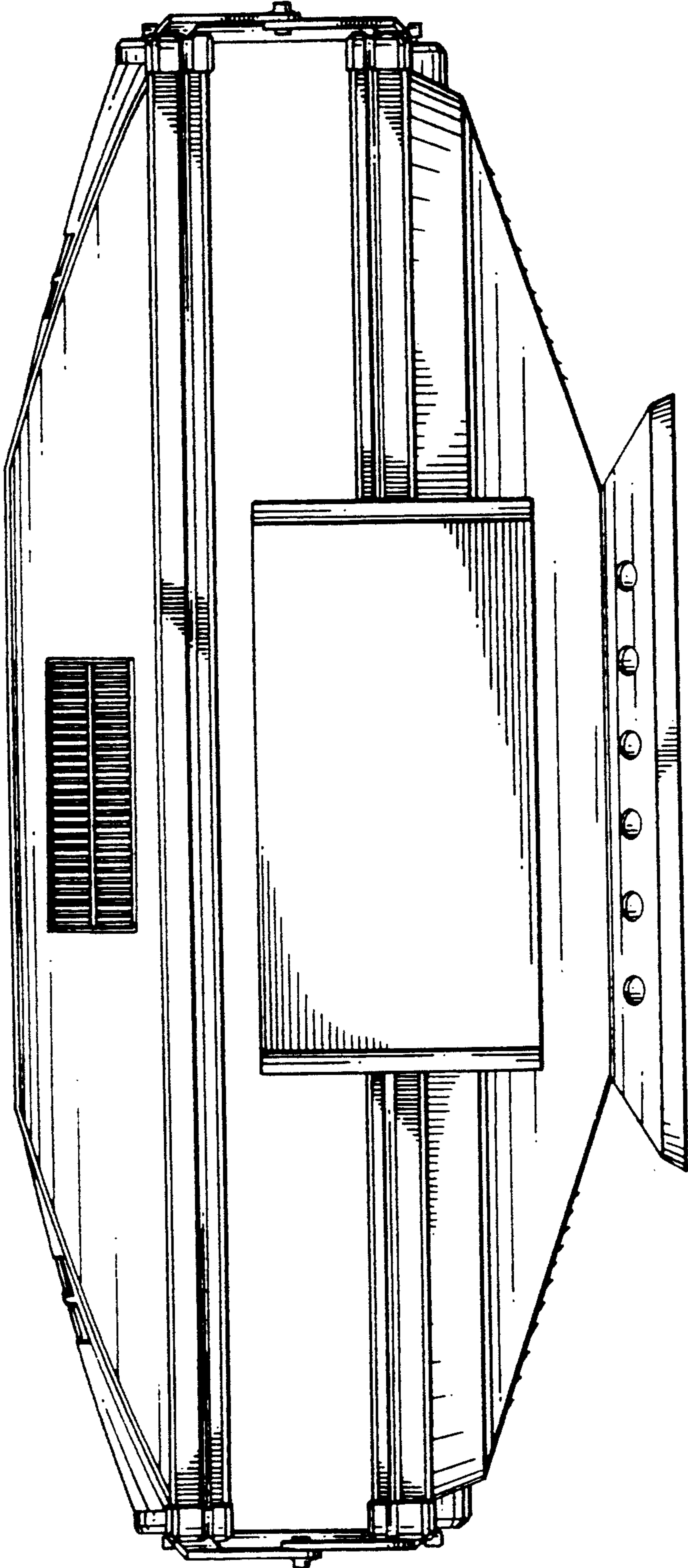


FIG. 5

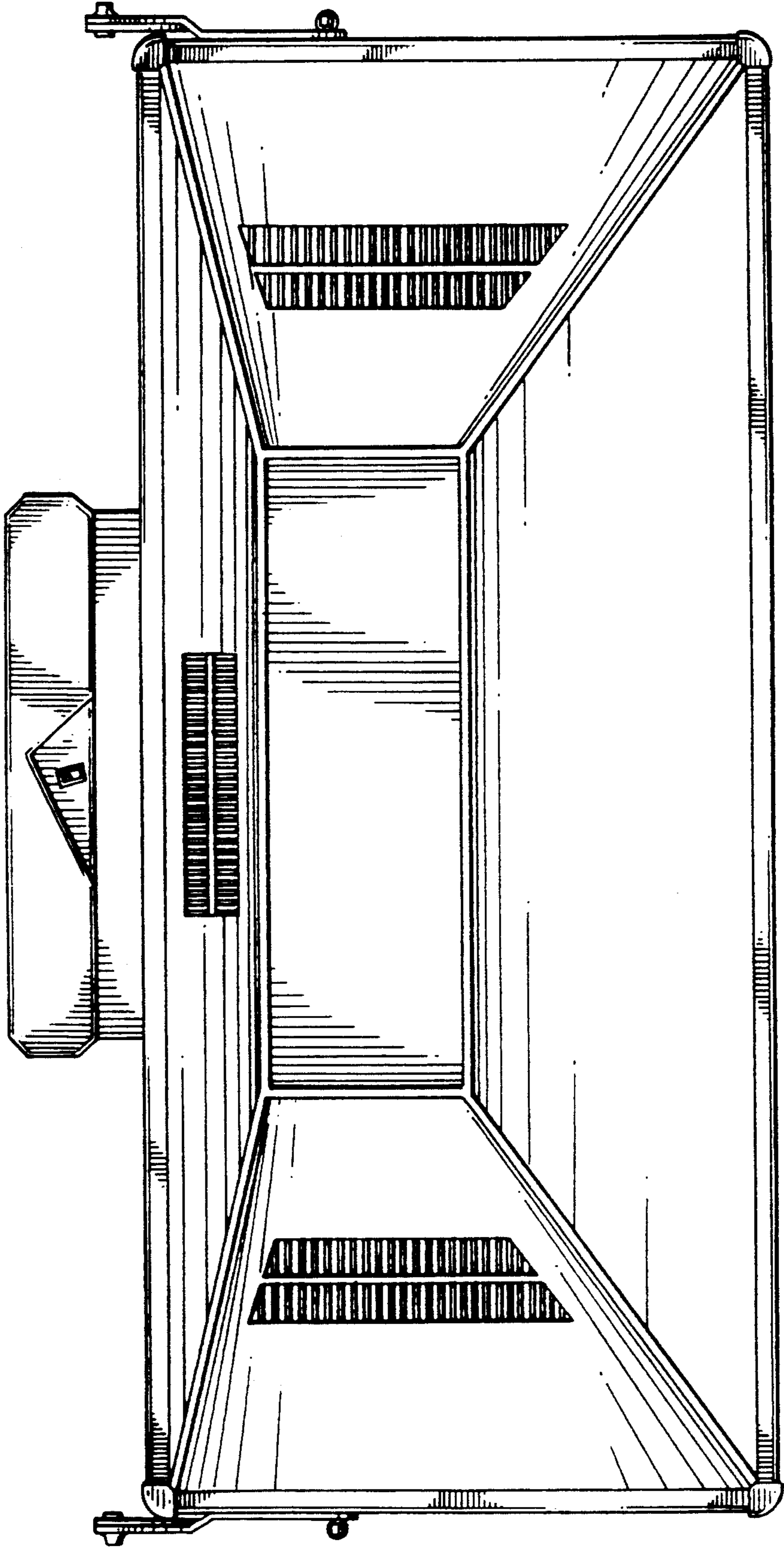


FIG. 6