



US00D346438S

# United States Patent [19]

[11] Patent Number: Des. 346,438

Caldwell

[45] Date of Patent: \*\* Apr. 26, 1994

[54] COMBINED CEILING FAN WITH BLADE TIP AND ILLUMINABLE ATTACHMENT

[76] Inventor: John Caldwell, 901 El Centro St., South Pasadena, Calif. 91030

[\*\*] Term: 14 Years

[21] Appl. No.: 9,698

[22] Filed: Jun. 17, 1993

Primary Examiner—Wallace R. Burke  
Assistant Examiner—Lisa Lichtenstein  
Attorney, Agent, or Firm—Brown, Martin, Haller & McClain

### [57] CLAIM

The ornamental design for a combined ceiling fan with blade tip and illuminable attachment, as shown and described.

### DESCRIPTION

FIG. 1 is a perspective view of a combined ceiling fan with blade tip and illuminable attachment showing my new design;  
FIG. 2 is a bottom plan view thereof;  
FIG. 3 is a side elevational view thereof;  
FIG. 4 is a side elevational view from the opposite side thereof;  
FIG. 5 is a top plan view thereof;  
FIG. 6 is a side elevational view similar to FIG. 4 showing a second embodiment of my design; and,  
FIG. 7 is a top plan view of the configuration of FIG. 6. The sole difference of the second embodiment from the first embodiment being the configuration of the element situated above the blades.  
The support rod has been shown broken away at the top in the FIGS. 1, 3, and 6 to indicate indeterminate length.

### Related U.S. Application Data

[63] Continuation of Ser. No. 3,463, Jan. 7, 1993.

[52] U.S. Cl. .... D23/377; D23/379; D23/385

[58] Field of Search ..... 416/5; 362/96, 363; D23/377, 379, 385, 411, 413; D26/72, 81-86, 59, 51, 88

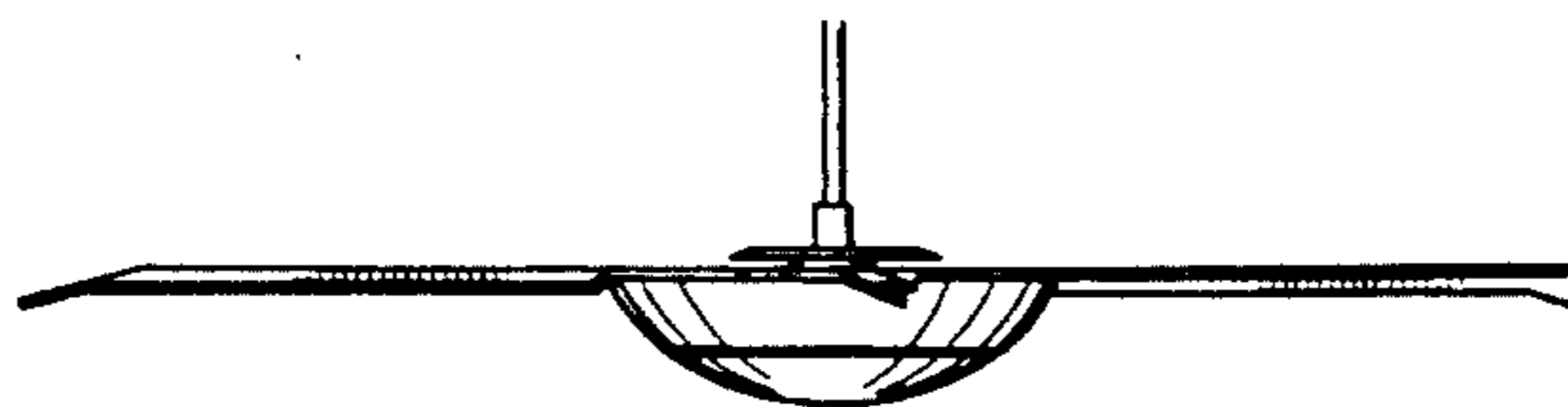
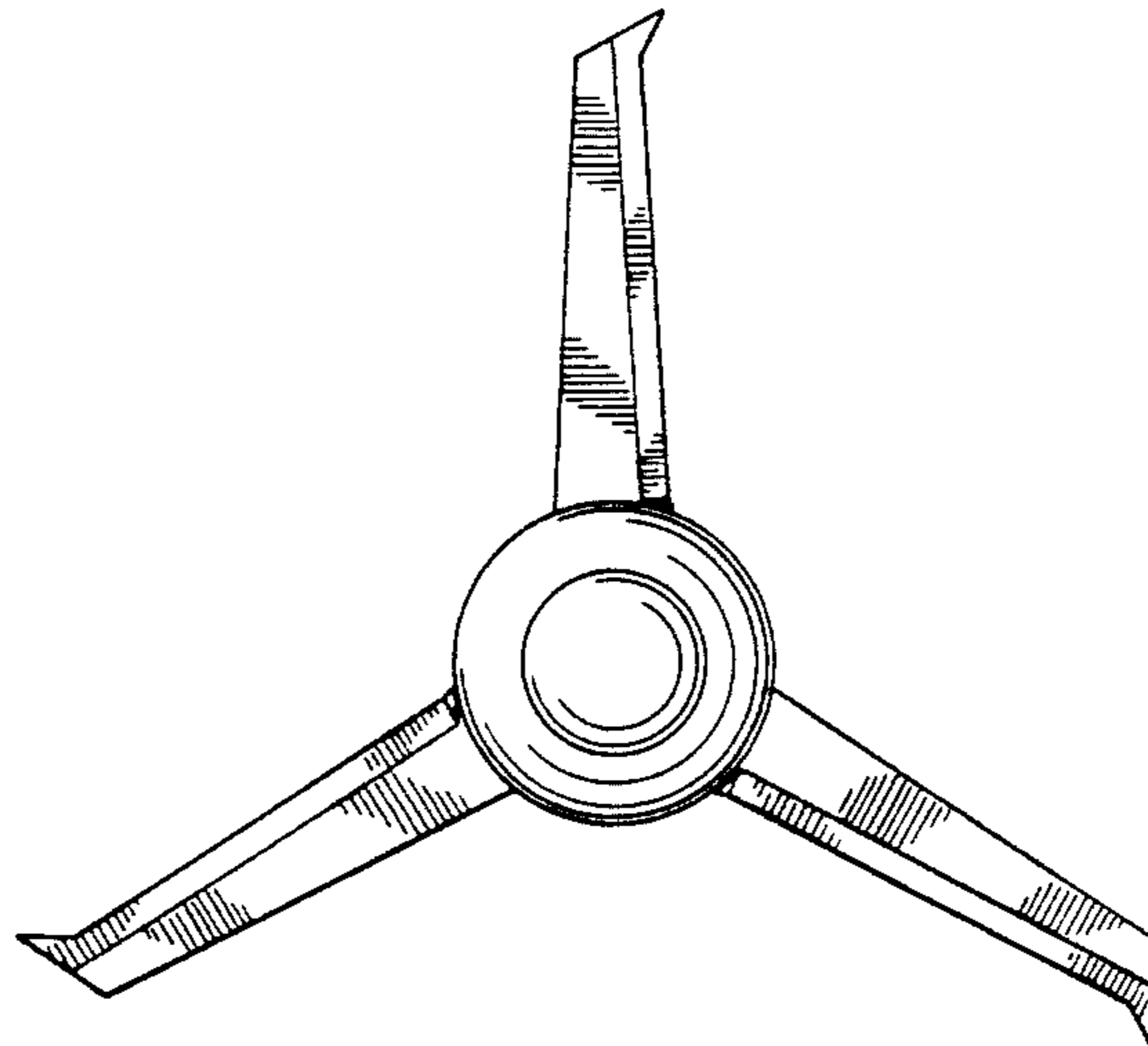
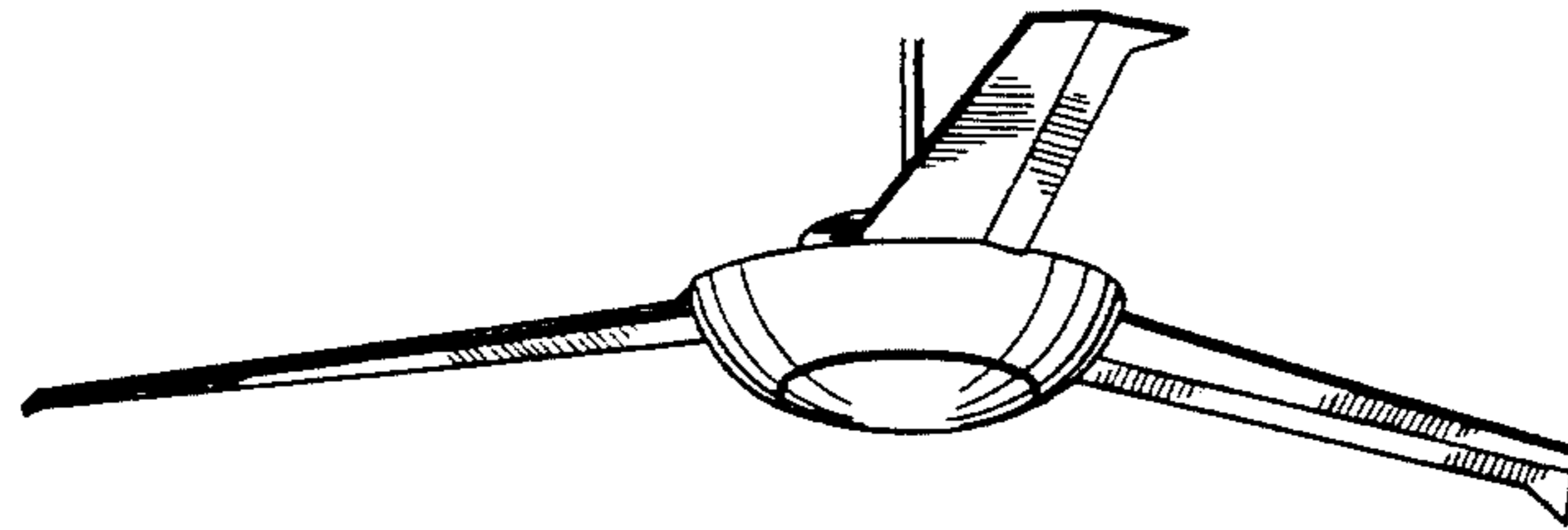
### References Cited

#### U.S. PATENT DOCUMENTS

D. 328,639 8/1992 Hsieh ..... D23/377  
D. 330,759 11/1992 Rezek ..... D23/377

#### OTHER PUBLICATIONS

Beverly Hills Fan Co. Cat., p. 7, Ceiling Fan A, top middle of page.



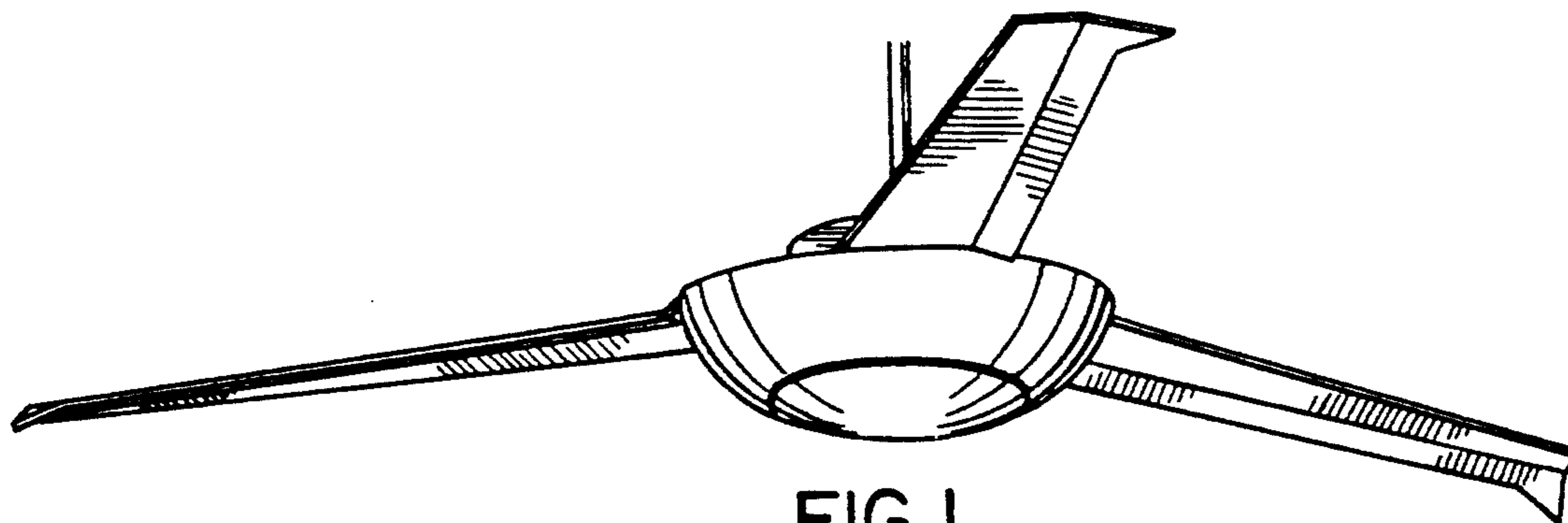


FIG. 1

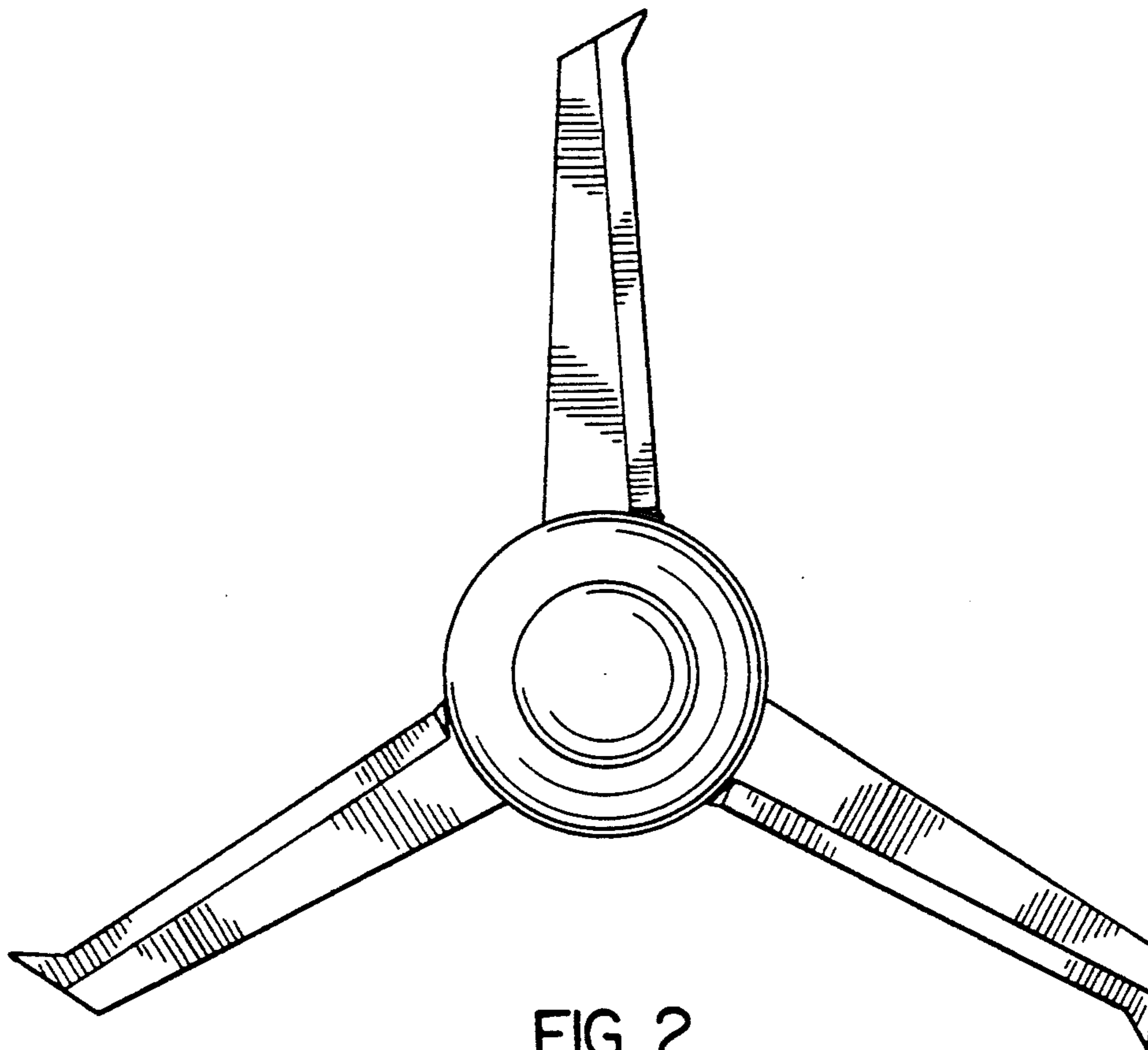


FIG. 2

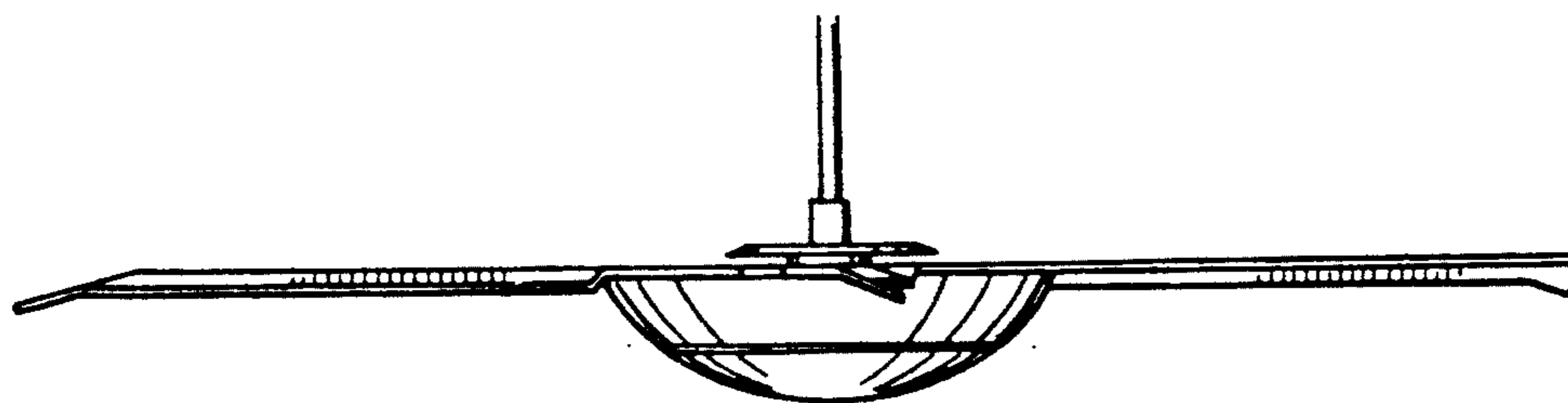


FIG. 3

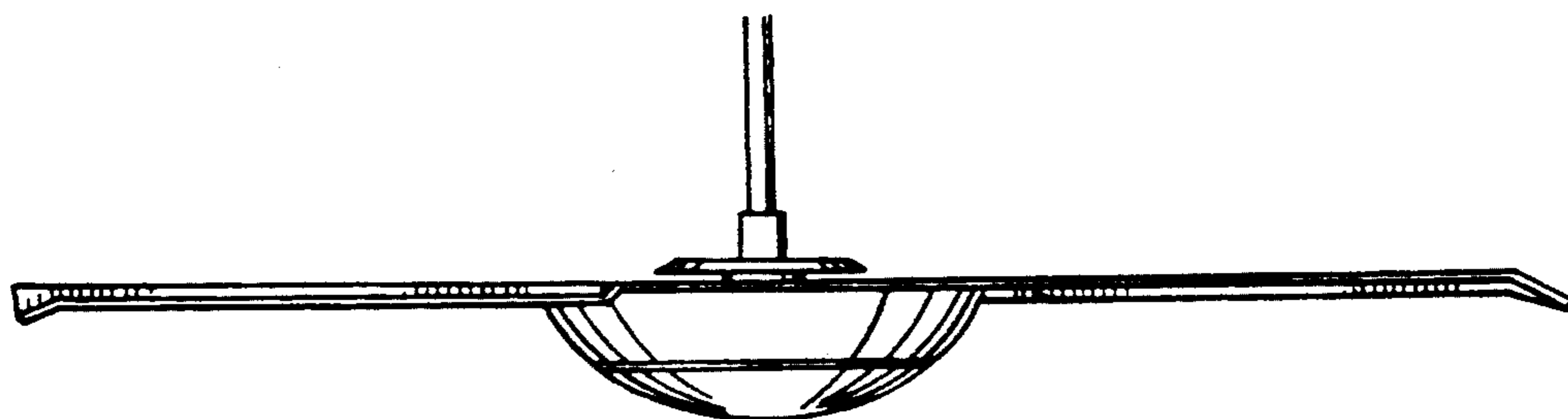


FIG. 4

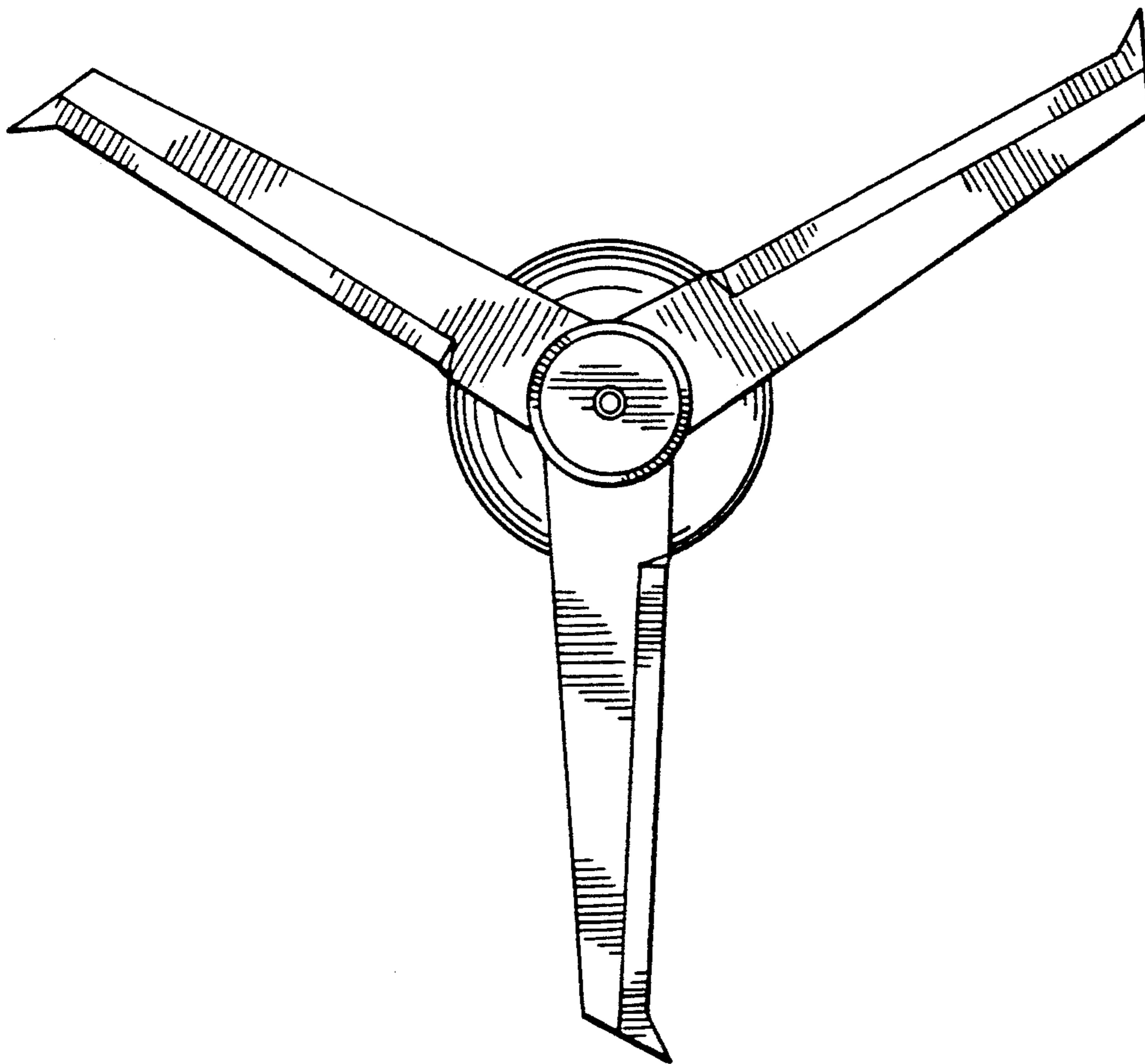


FIG. 5

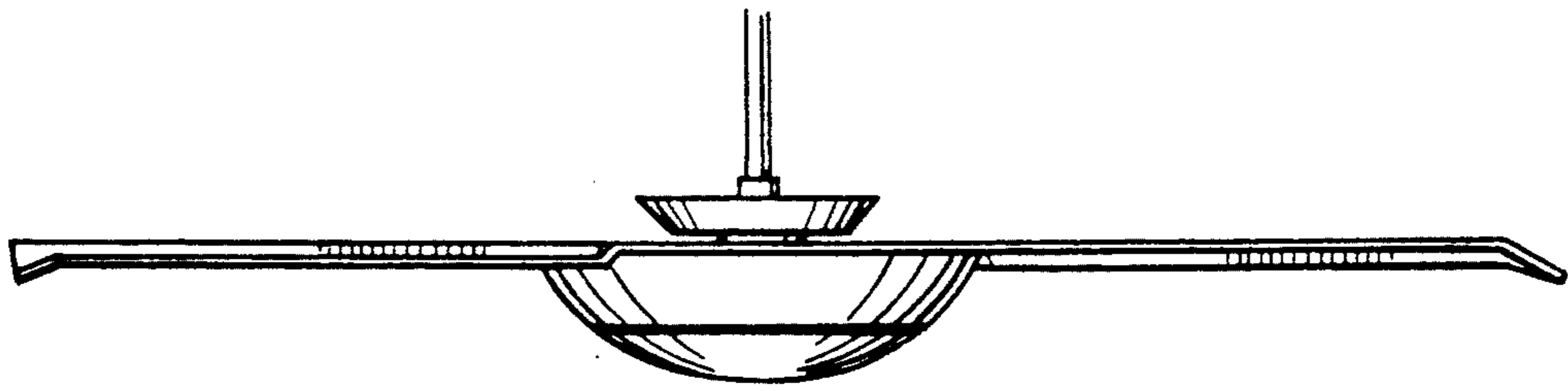


FIG. 6

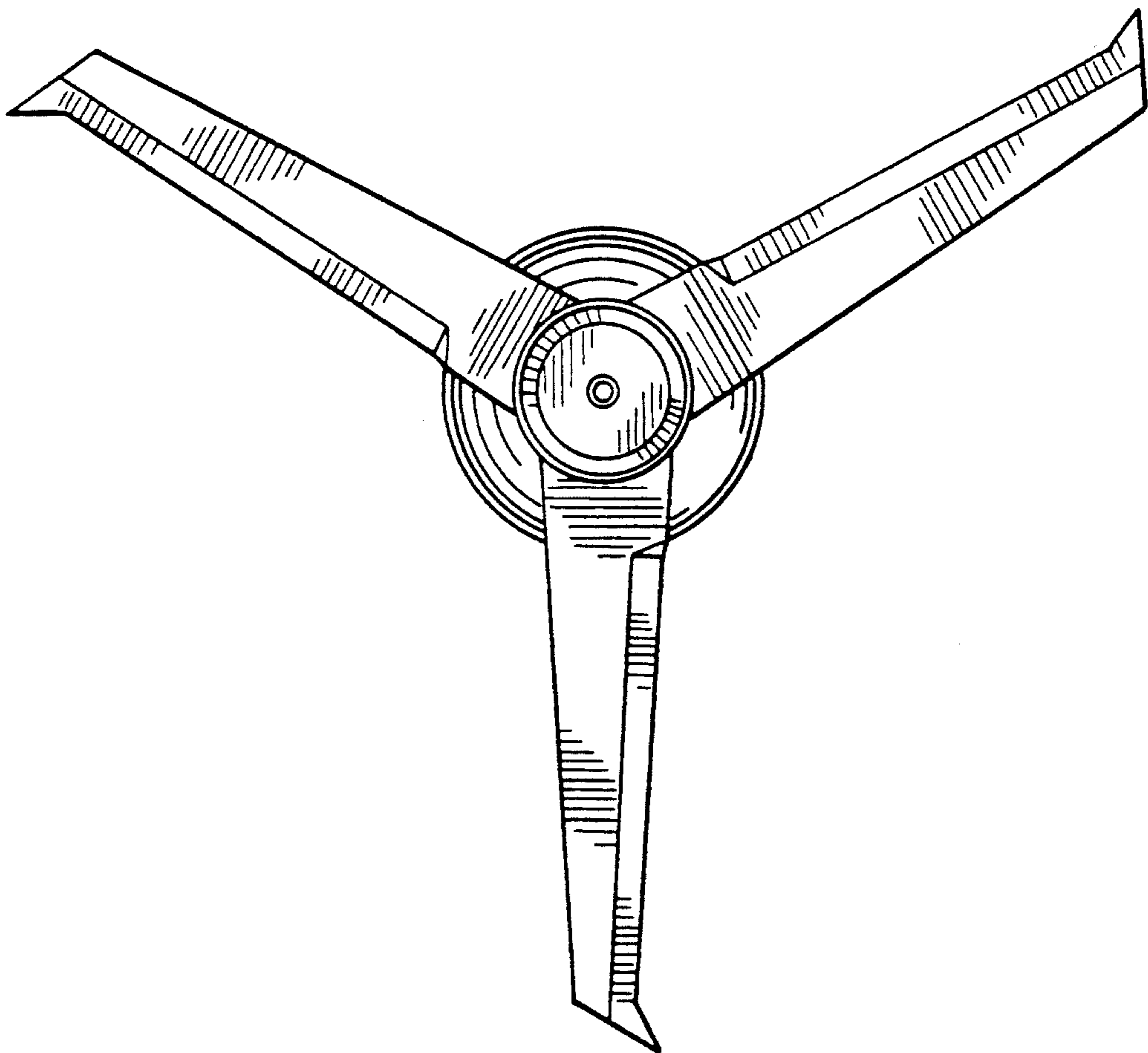


FIG. 7