



US00D346435S

United States Patent [19]

[11] Patent Number: **Des. 346,435**

Gruber

[45] Date of Patent: **** Apr. 26, 1994**

[54] **LAVATORY BASIN**

[75] Inventor: **George S. Gruber**, Canyon Country, Calif.

[73] Assignee: **Six Eleven Limited**, North Hollywood, Calif.

[**] Term: **14 Years**

[21] Appl. No.: **721,355**

[22] Filed: **Jun. 20, 1991**

[52] U.S. Cl. **D23/294**

[58] Field of Search 4/580, 619, 630-636, 4/639, 640, 642, 650-660, DIG. 18; D23/271-275, 284-297

- D. 222,586 11/1971 Hives D23/294
- D. 223,667 5/1972 DiPierro et al. D23/284
- D. 232,093 7/1974 Schrock D23/284
- D. 237,617 11/1975 McIntosh D23/284
- D. 252,100 6/1979 Morris et al. D23/284
- D. 298,963 12/1988 Ament D23/291
- D. 315,402 3/1991 Lenahan D23/294
- D. 321,753 11/1991 Bengtson et al. D23/284

Primary Examiner—James R. Lergen

[57] CLAIM

The ornamental design for a lavatory basin, as shown and described.

DESCRIPTION

FIG. 1 is a top perspective view of a lavatory basin showing my new design;
 FIG. 2 is a top plan view thereof;
 FIG. 3 is a left side elevational view thereof, the right side being a mirror image of the left side;
 FIG. 4 is a front elevational view thereof; and,
 FIG. 5 is a rear elevational view thereof.

[56] References Cited

U.S. PATENT DOCUMENTS

- D. 84,498 6/1931 Steele D23/294
- D. 90,757 9/1933 Farrar D23/291
- D. 212,418 10/1968 Doman D23/284

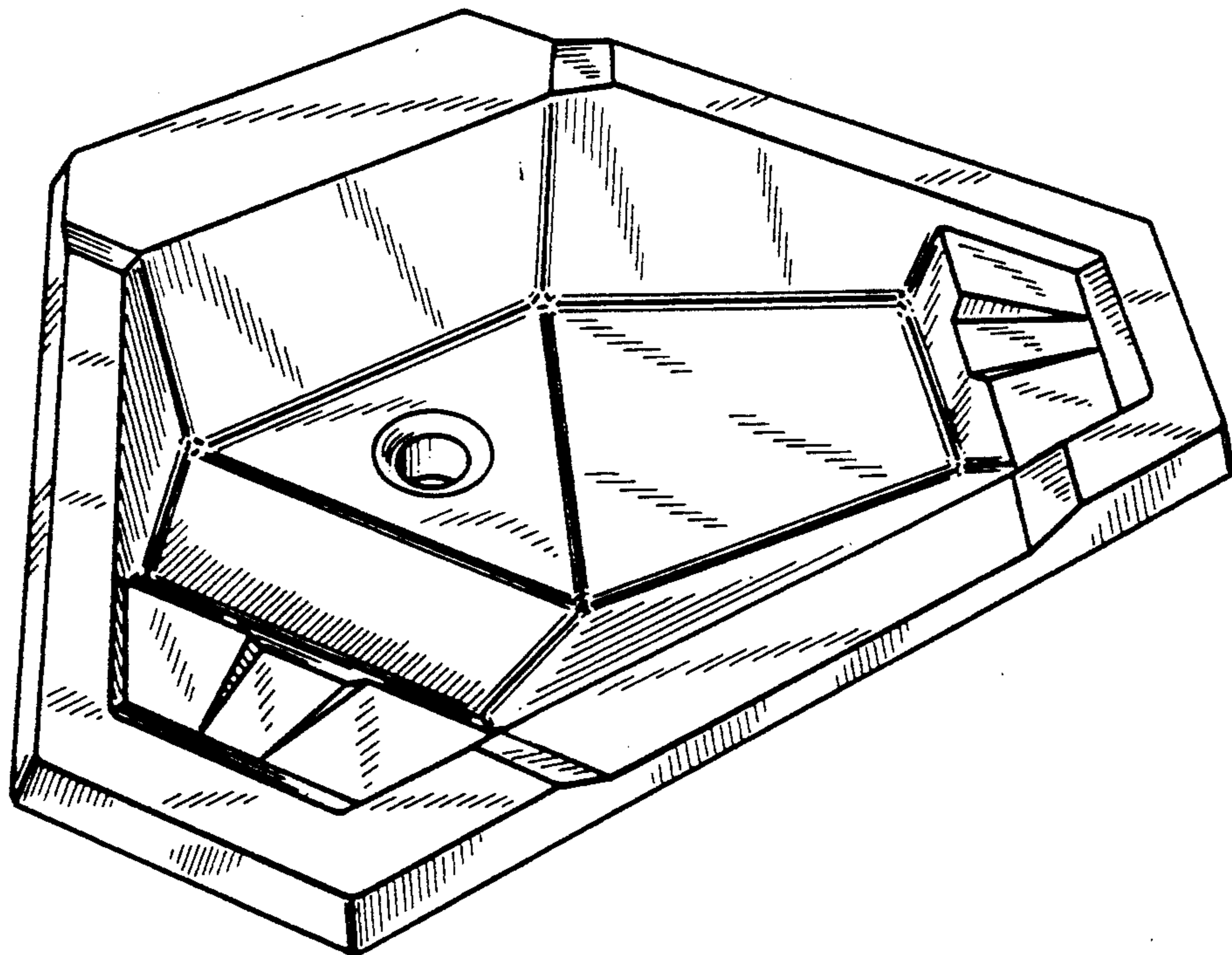


FIG-1

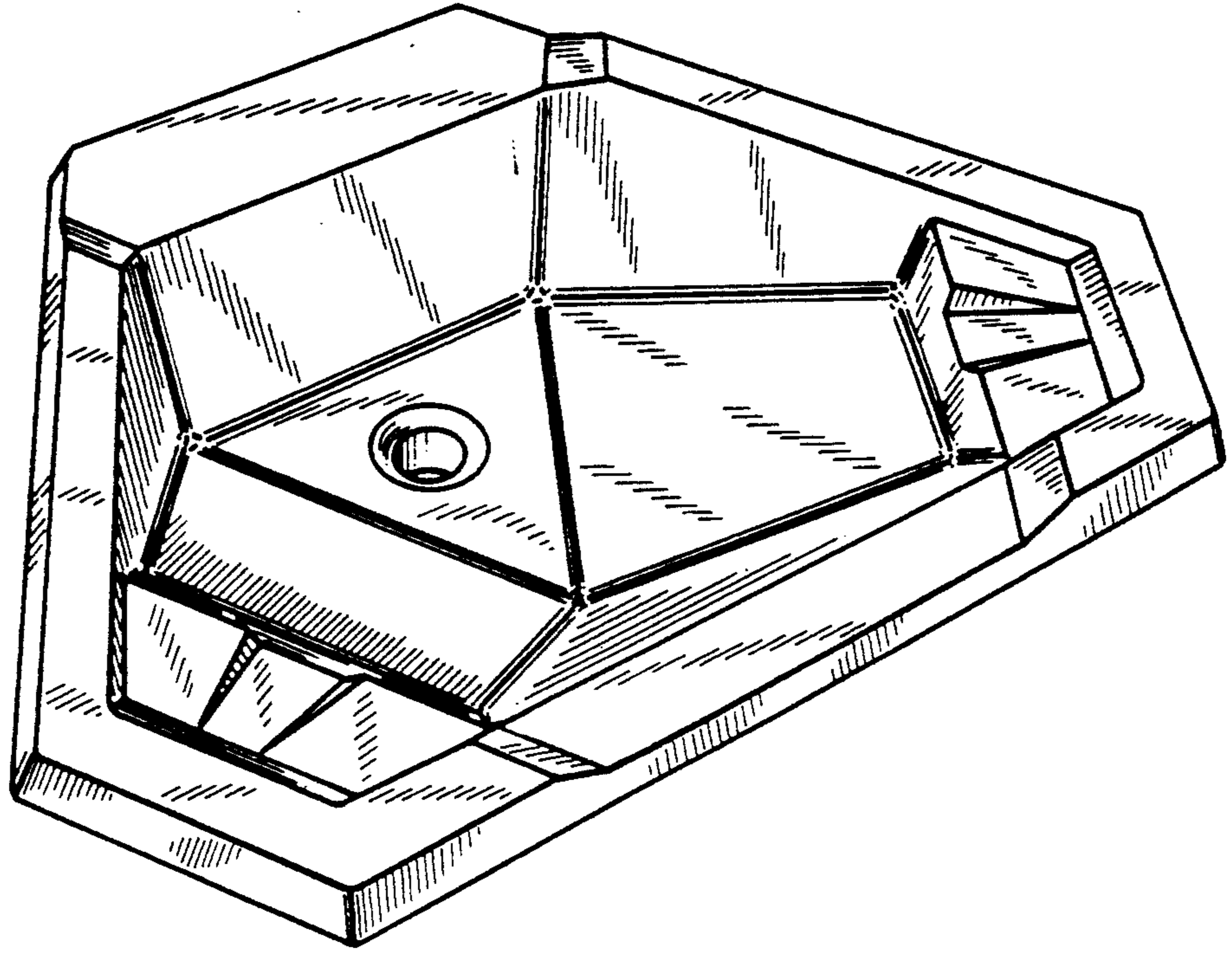


FIG-2

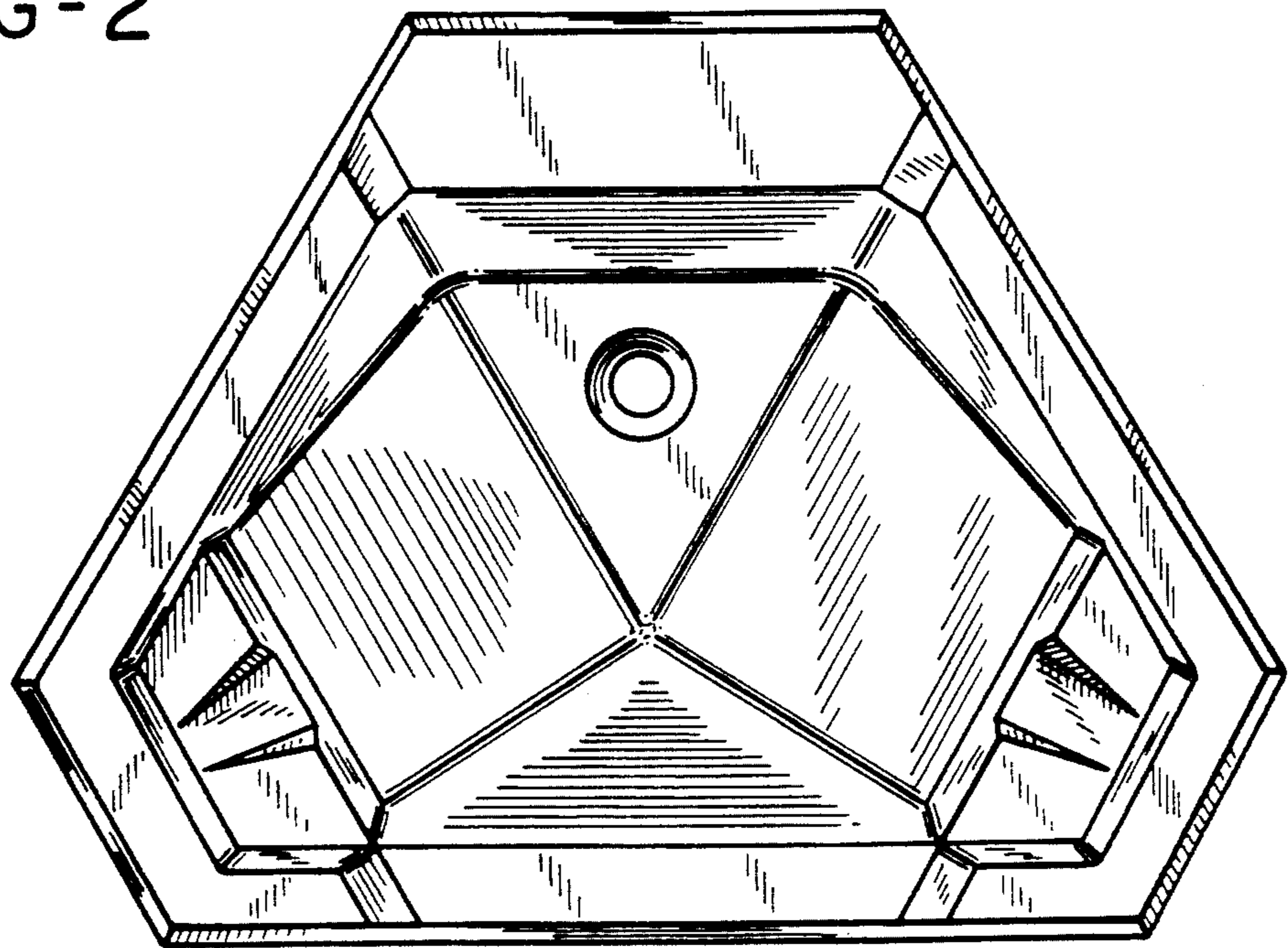


FIG-3

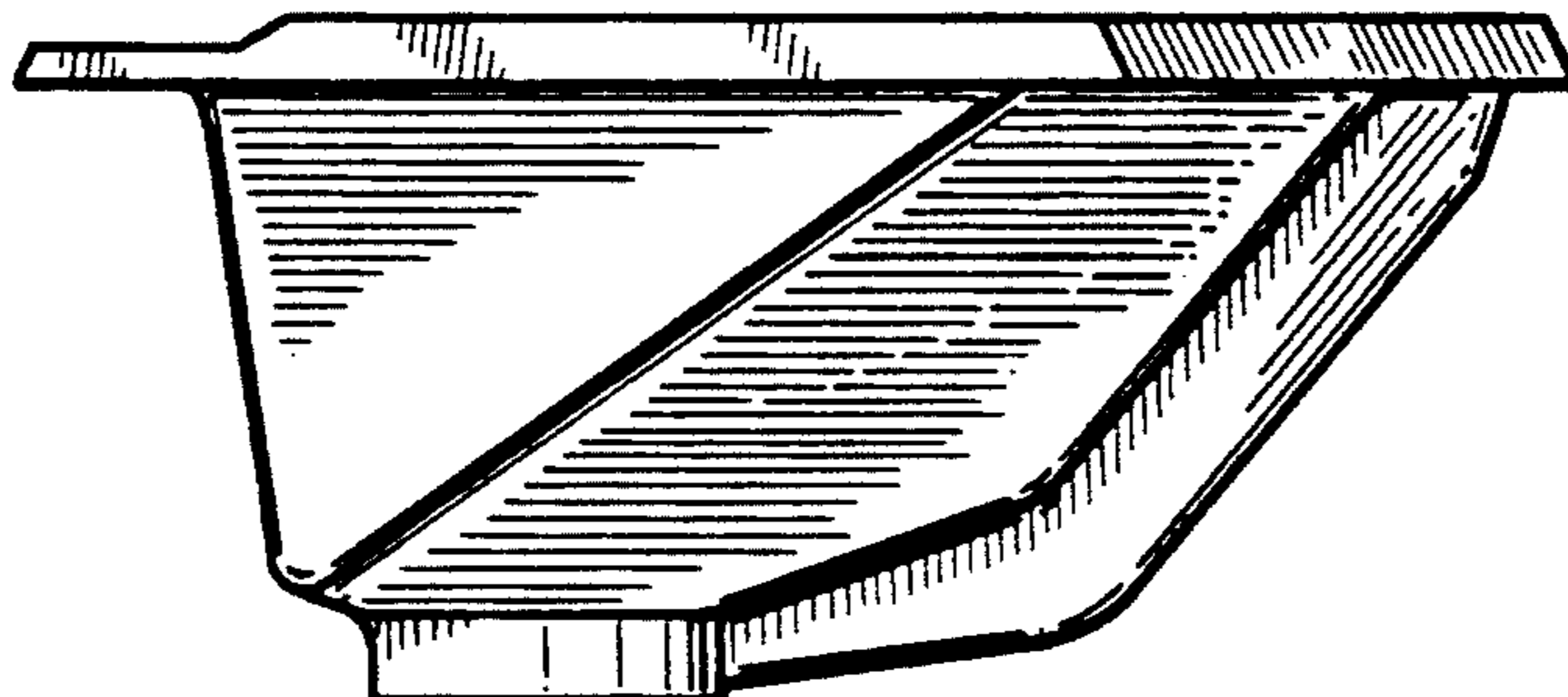


FIG-4

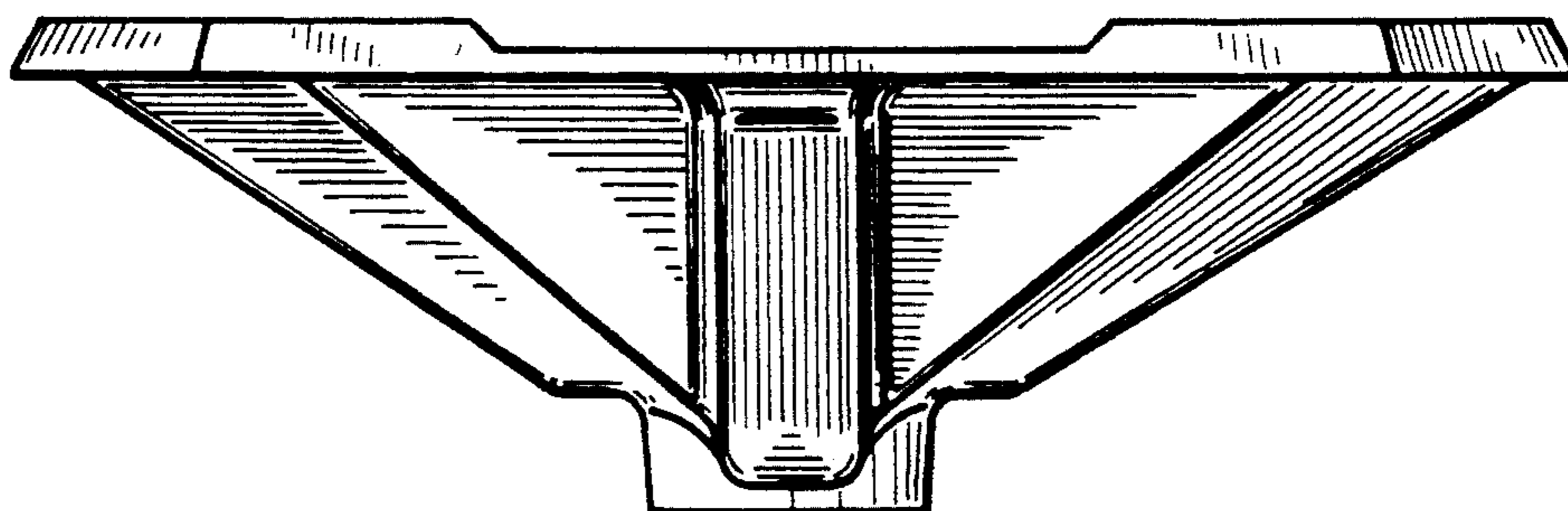


FIG-5

