



US00D346434S

United States Patent [19]

[11] Patent Number: **Des. 346,434**

Hunger et al.

[45] Date of Patent: **** Apr. 26, 1994**

[54] **WHIRLPOOL BATH**

[75] Inventors: **Darrell M. Hunger; Roy A. Jacuzzi,**
both of Lafayette; **Ralph**
D'Innocente, Benecia, all of Calif.

[73] Assignee: **Jacuzzi, Inc.,** Walnut Creek, Calif.

[**] Term: **14 Years**

[21] Appl. No.: **822,575**

[22] Filed: **Jan. 17, 1992**

[52] U.S. Cl. **D23/281; D24/204**

[58] Field of Search 4/524, 525, 528, 531,
4/532, 533, 538, 541.1-541.6, 557, 571.1, 576.1,
577.1, 589, 590, 596, 627, 610-614; D23/270,
275, 277-283, 303-307; D24/201-204

[56] **References Cited**

U.S. PATENT DOCUMENTS

D. 237,709	11/1975	Jacuzzi	D23/55
D. 265,345	7/1982	Doman	D24/38
D. 265,922	11/1982	Jaspersen	D23/55
D. 269,460	6/1983	Kohler, Jr.	D23/281
D. 275,597	9/1984	Lax	D23/280 X
D. 286,679	11/1986	D'Innocente et al.	D24/204
D. 288,239	2/1987	D'Innocente et al.	D24/204

D. 301,374	5/1989	D'Innocente et al.	D24/204
D. 305,061	12/1989	Pauls et al.	D24/204
D. 305,062	12/1989	Jacuzzi et al.	D24/38
D. 305,063	12/1989	Jacuzzi et al.	D24/204
D. 333,699	3/1993	Jacuzzi et al.	D23/281

Primary Examiner—James R. Largen
Attorney, Agent, or Firm—Limbach & Limbach

[57] **CLAIM**

The ornamental design for a whirlpool bathtub, as shown and described.

DESCRIPTION

FIG. 1 is a perspective view taken from the top, front and left side of a whirlpool bathtub showing our new design;

FIG. 2 is a top plan view thereof;

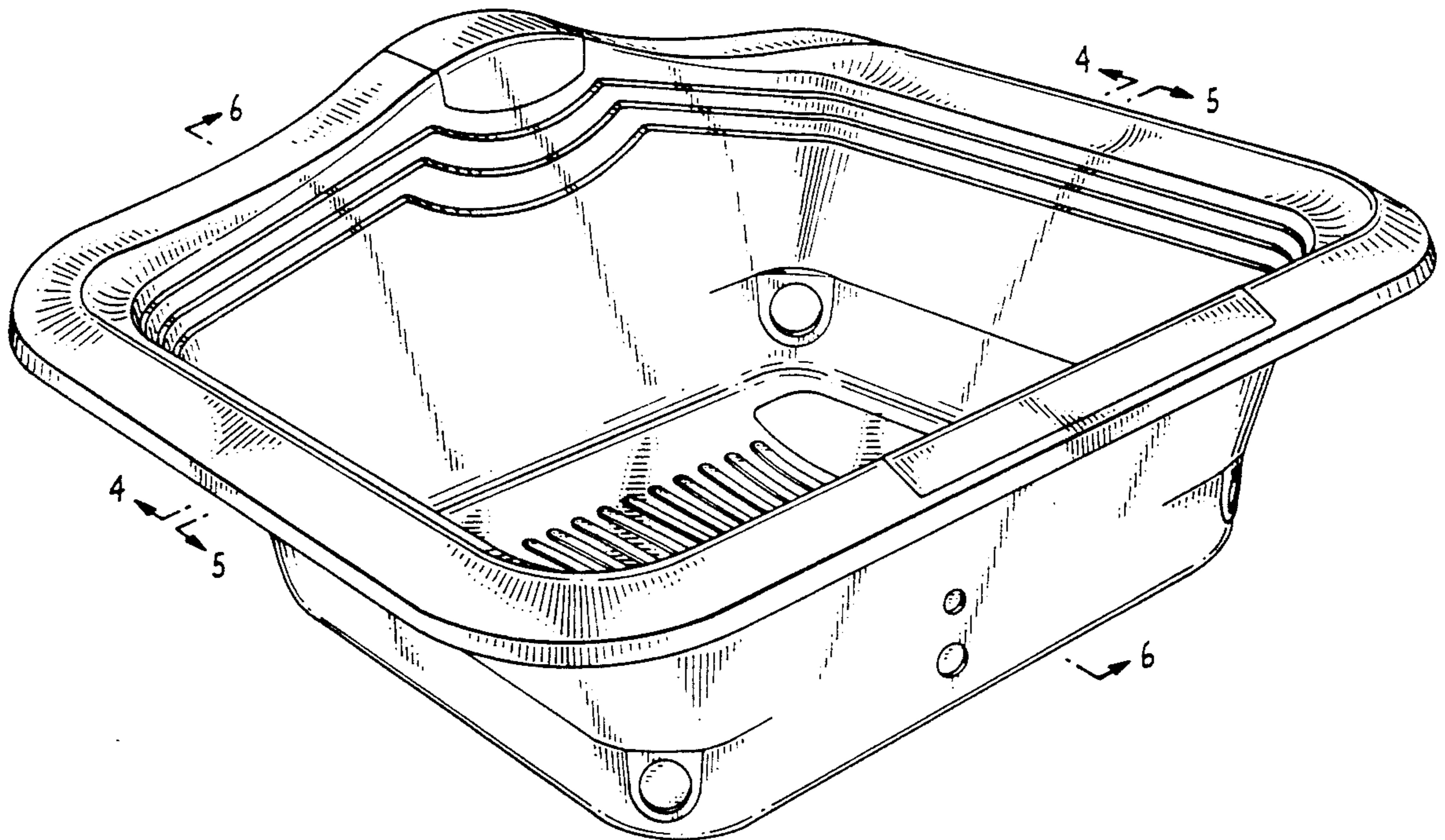
FIG. 3 is a left side elevational view thereof, the right side being a mirror image of the left side;

FIG. 4 is a cross-sectional view, taken on line 4—4 of FIG. 1;

FIG. 5 is a cross-sectional view, taken on line 5—5 of FIG. 1;

FIG. 6 is a cross-sectional view, taken on line 6—6 of FIG. 1; and,

FIG. 7 is a rear elevational view thereof.



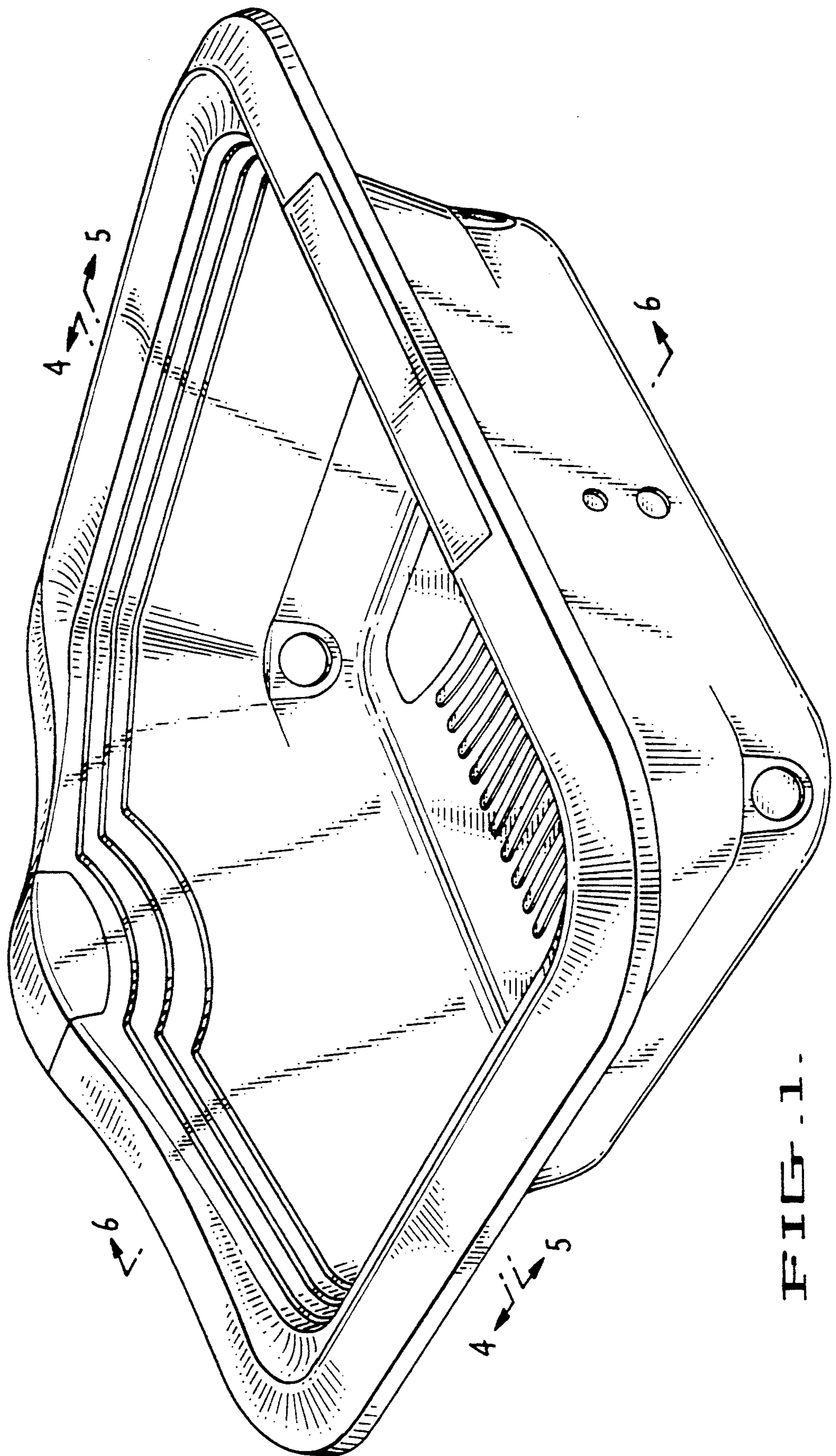


FIG. 1.

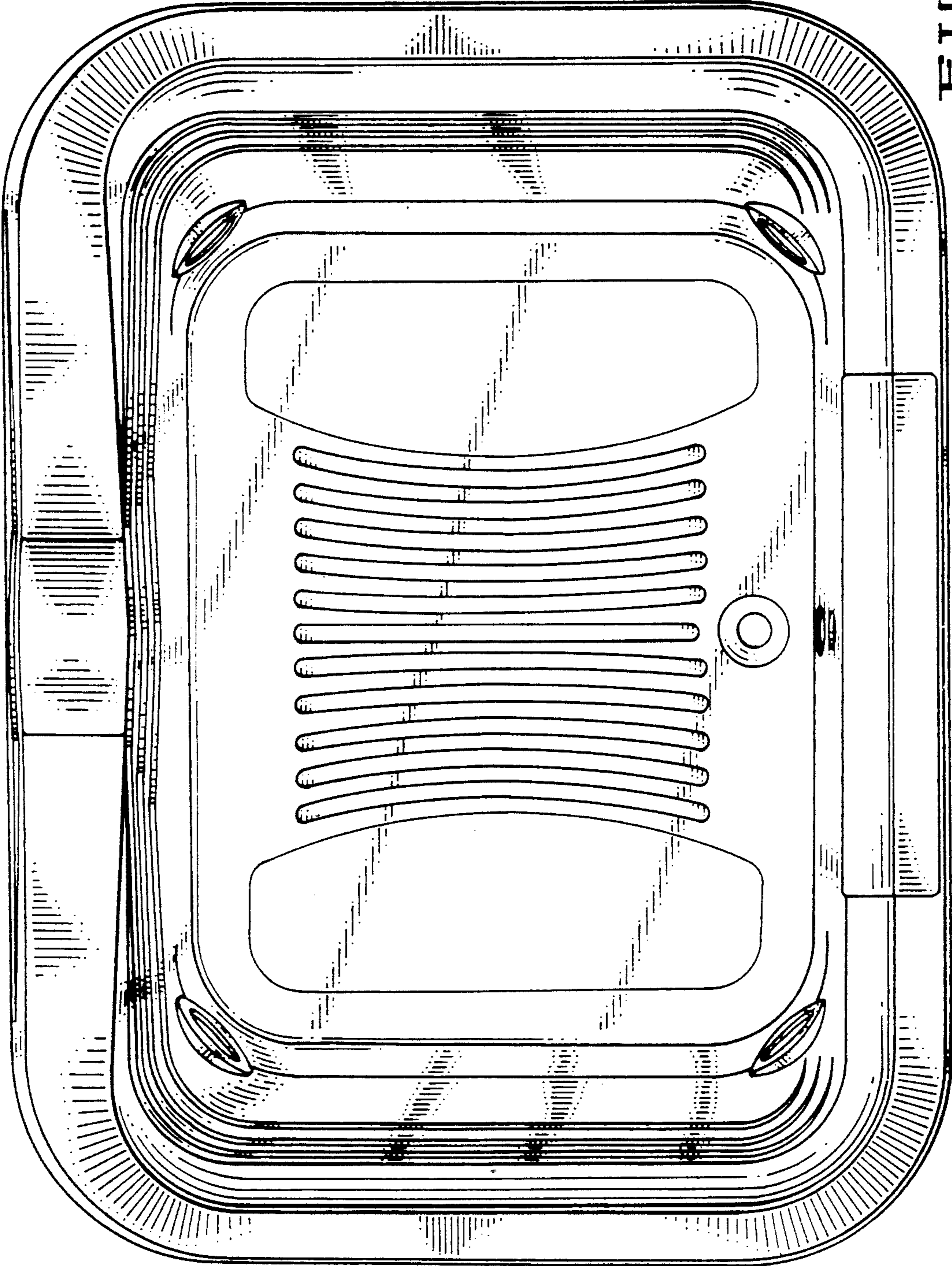


FIG. 2

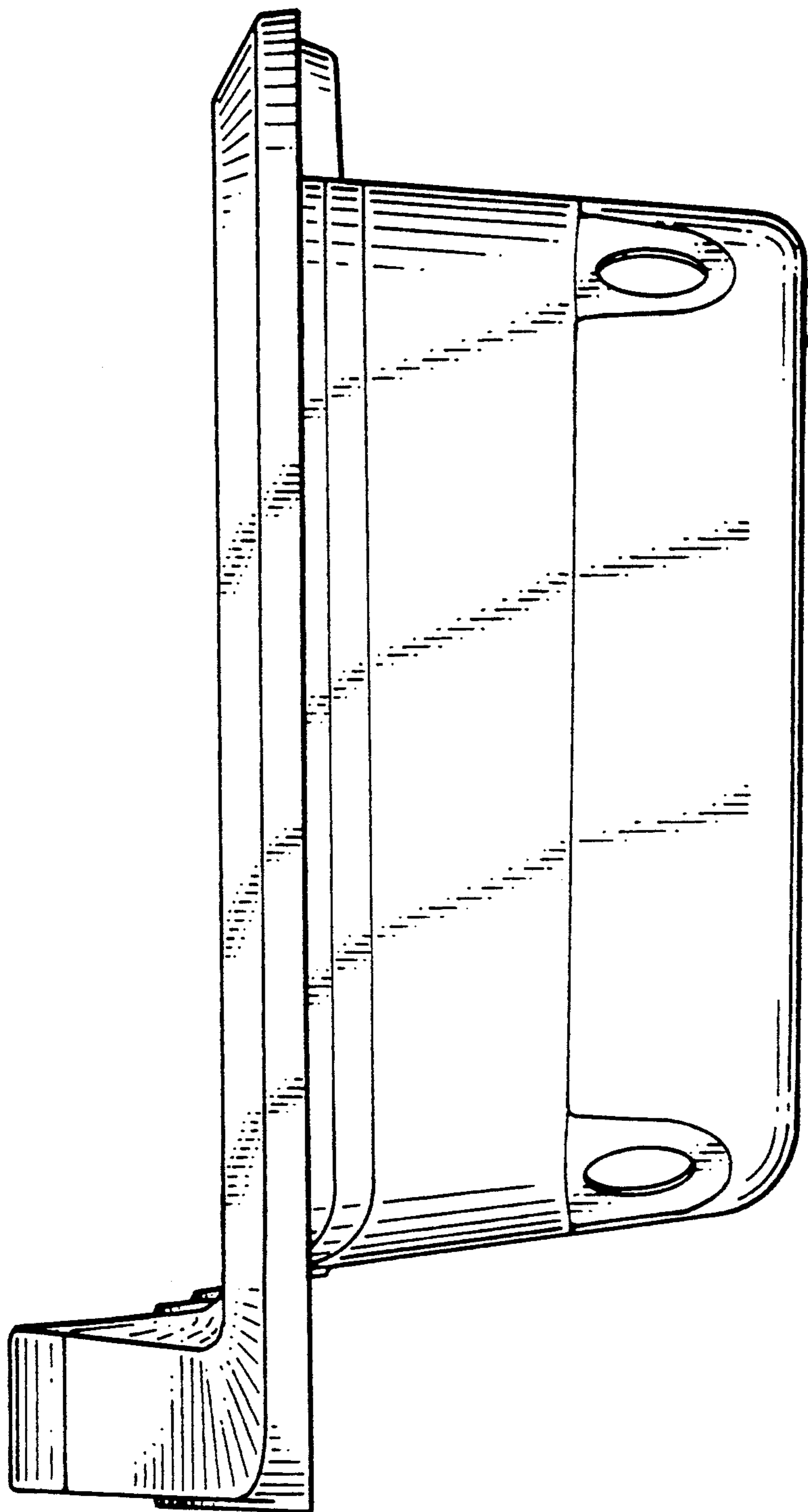


FIG. 3

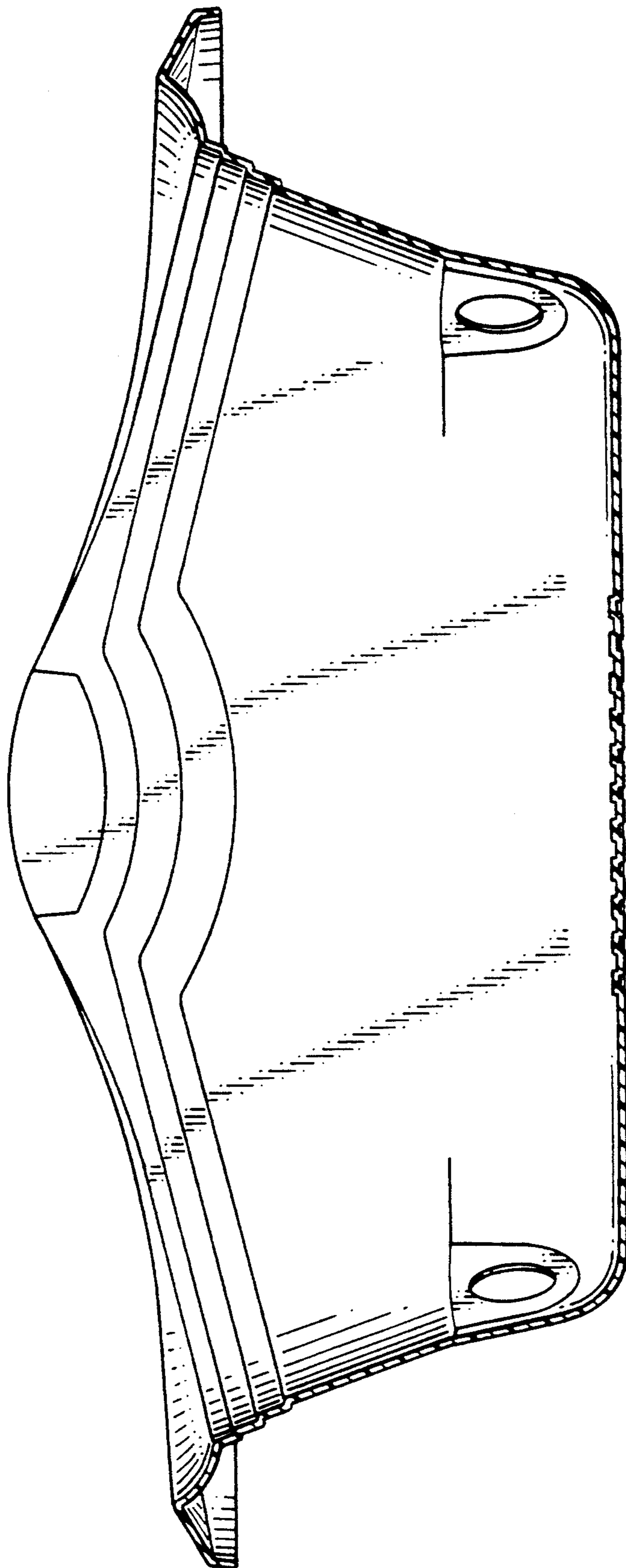


FIG. 4.

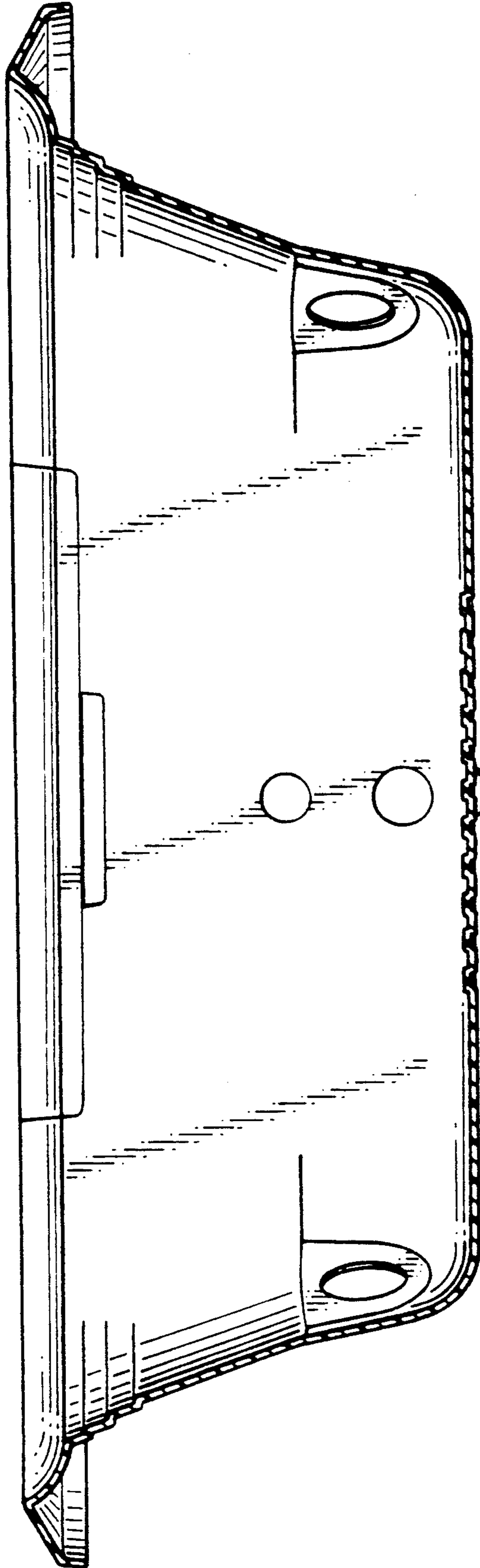


FIG. 5

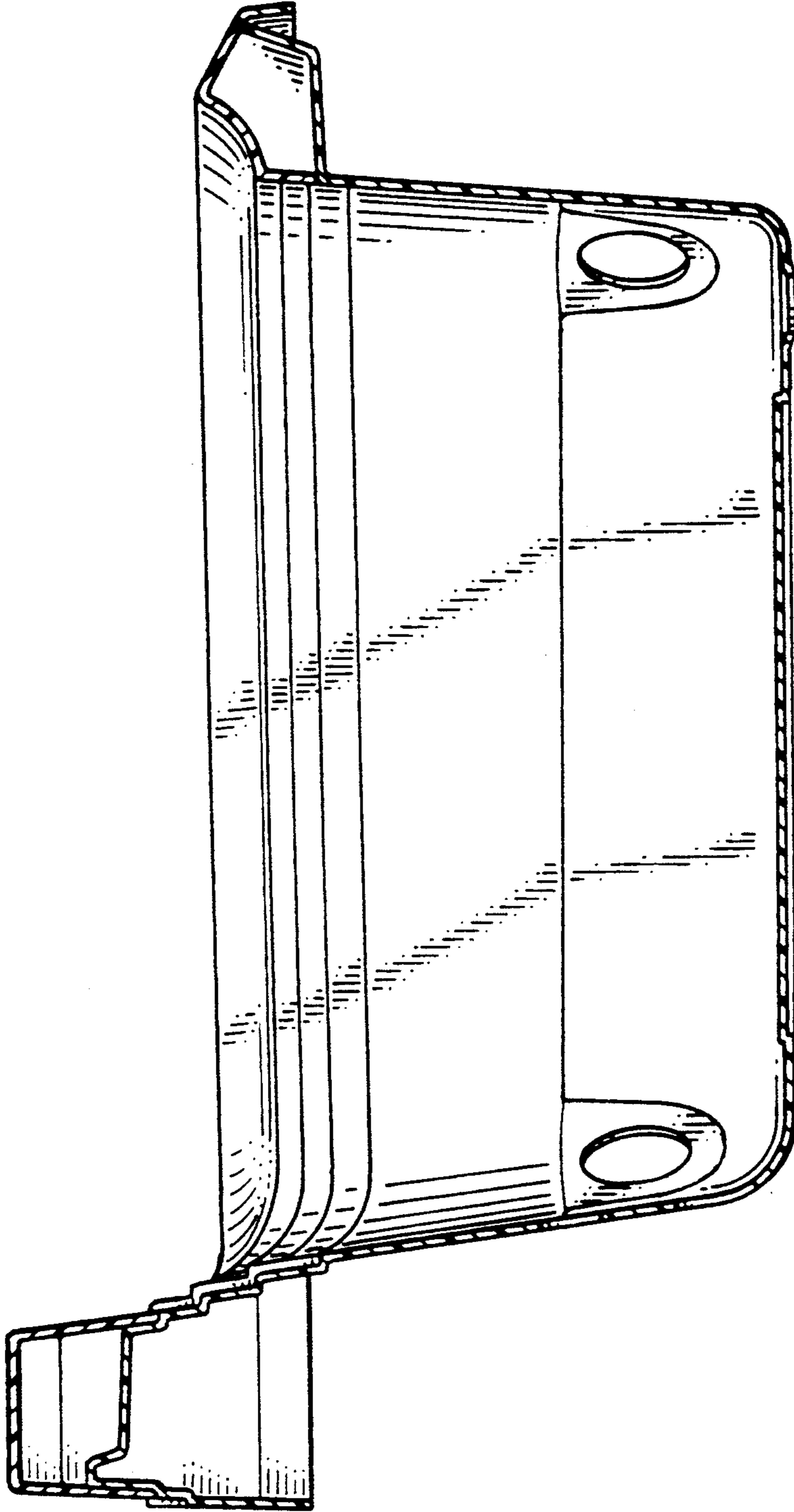


FIG. 6.

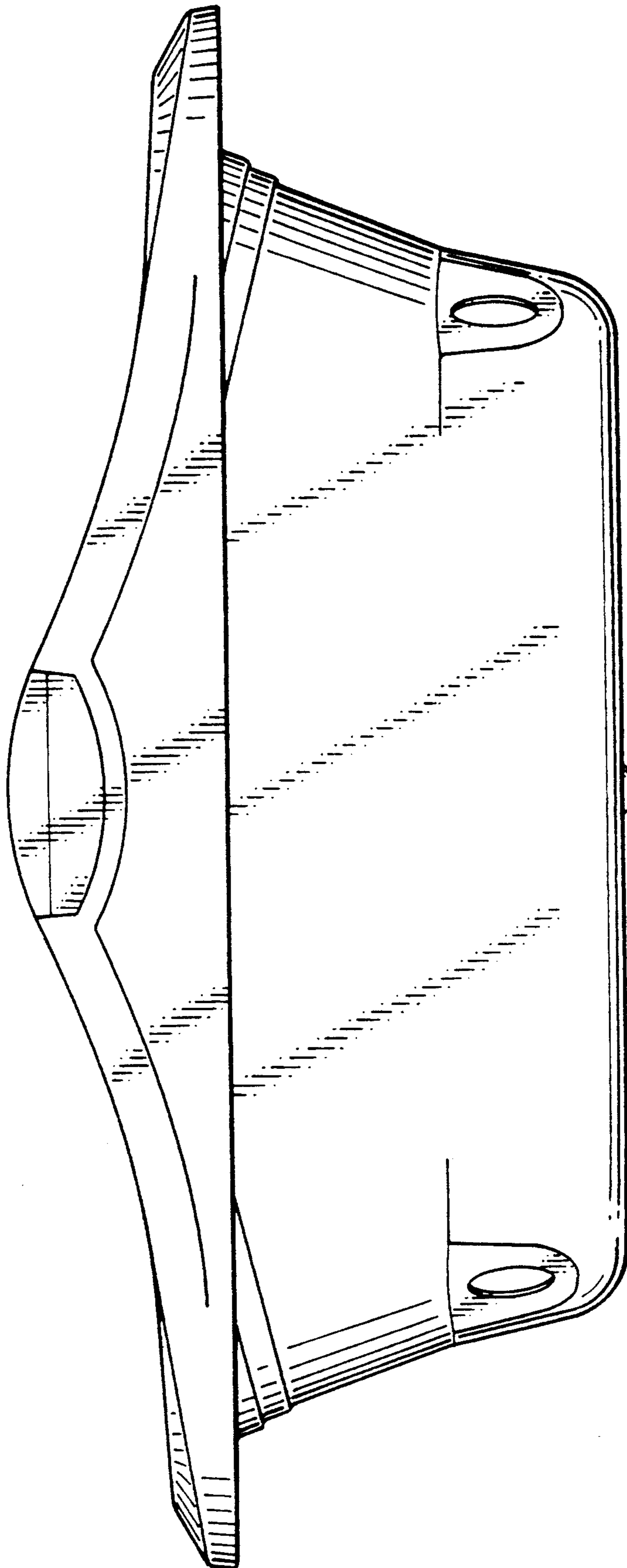


FIG. 7.