



US00D346433S

# United States Patent [19]

[11] Patent Number: **Des. 346,433**

Cooper

[45] Date of Patent: **\*\* Apr. 26, 1994**

[54] FIRE HYDRANT ADAPTER RING

[76] Inventor: **Glyde J. Cooper**, 3280 Colorado La.,  
Costa Mesa, Calif. 92626

[\*\*] Term: **14 Years**

[21] Appl. No.: **692,501**

[22] Filed: **Apr. 29, 1991**

[52] U.S. Cl. .... **D23/259**

[58] Field of Search ..... 285/175, 177; **D23/259,**  
**D23/262**

|            |         |           |       |           |
|------------|---------|-----------|-------|-----------|
| D. 240,428 | 7/1976  | Huffman   | ..... | D23/262   |
| D. 314,422 | 2/1991  | Adorjan   | ..... | D23/262   |
| D. 334,051 | 3/1993  | Fell, Sr. | ..... | D23/262   |
| 870,017    | 11/1907 | Cosgrove  | ..... | 285/175 X |
| 1,349,663  | 8/1920  | Cumfer    | ..... | 285/175 X |
| 1,782,737  | 11/1930 | Mahon     | ..... | 285/177 X |
| 1,865,926  | 7/1932  | Laing     | ..... | 285/177 X |
| 4,648,631  | 3/1987  | Bryant    | ..... | 285/177   |

*Primary Examiner*—James R. Largen  
*Attorney, Agent, or Firm*—James G. O'Neill

### [57] CLAIM

The ornamental design for a fire hydrant adapter ring, as shown and described.

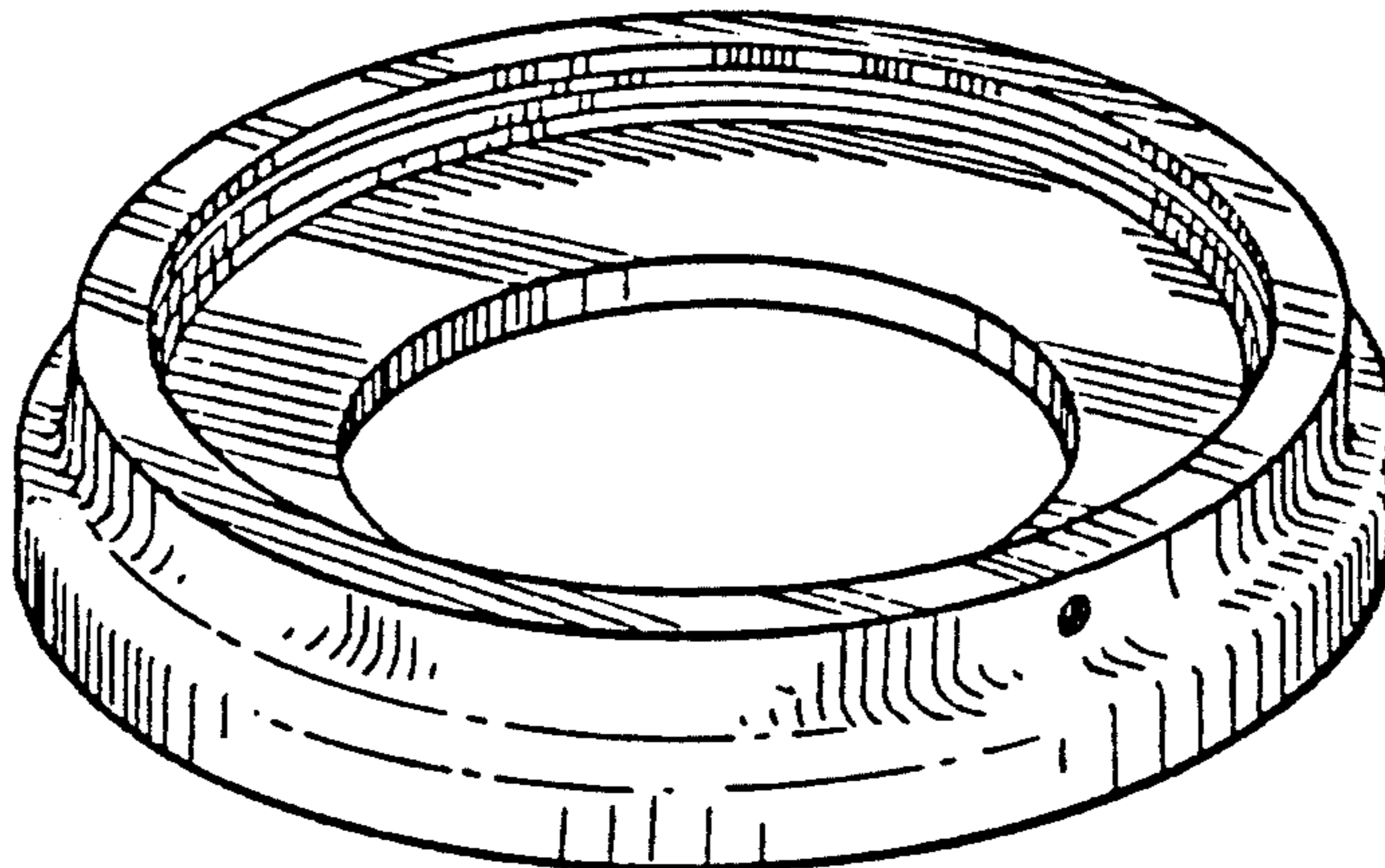
### DESCRIPTION

FIG. 1 is a perspective view taken from the bottom of my new design;  
FIG. 2 is a front elevational view thereof;  
FIG. 3 is a bottom plan view thereof; and,  
FIG. 4 is a top plan view thereof.

### [56] References Cited

#### U.S. PATENT DOCUMENTS

|            |        |           |       |         |
|------------|--------|-----------|-------|---------|
| D. 34,101  | 2/1901 | Griffiths | ..... | D23/262 |
| D. 38,618  | 6/1907 | Thomas    | ..... | D23/262 |
| D. 44,178  | 6/1913 | McMurtrio | ..... | D23/262 |
| D. 238,876 | 2/1976 | Andersson | ..... | D23/262 |
| D. 239,031 | 3/1976 | Madlem    | ..... | D23/262 |



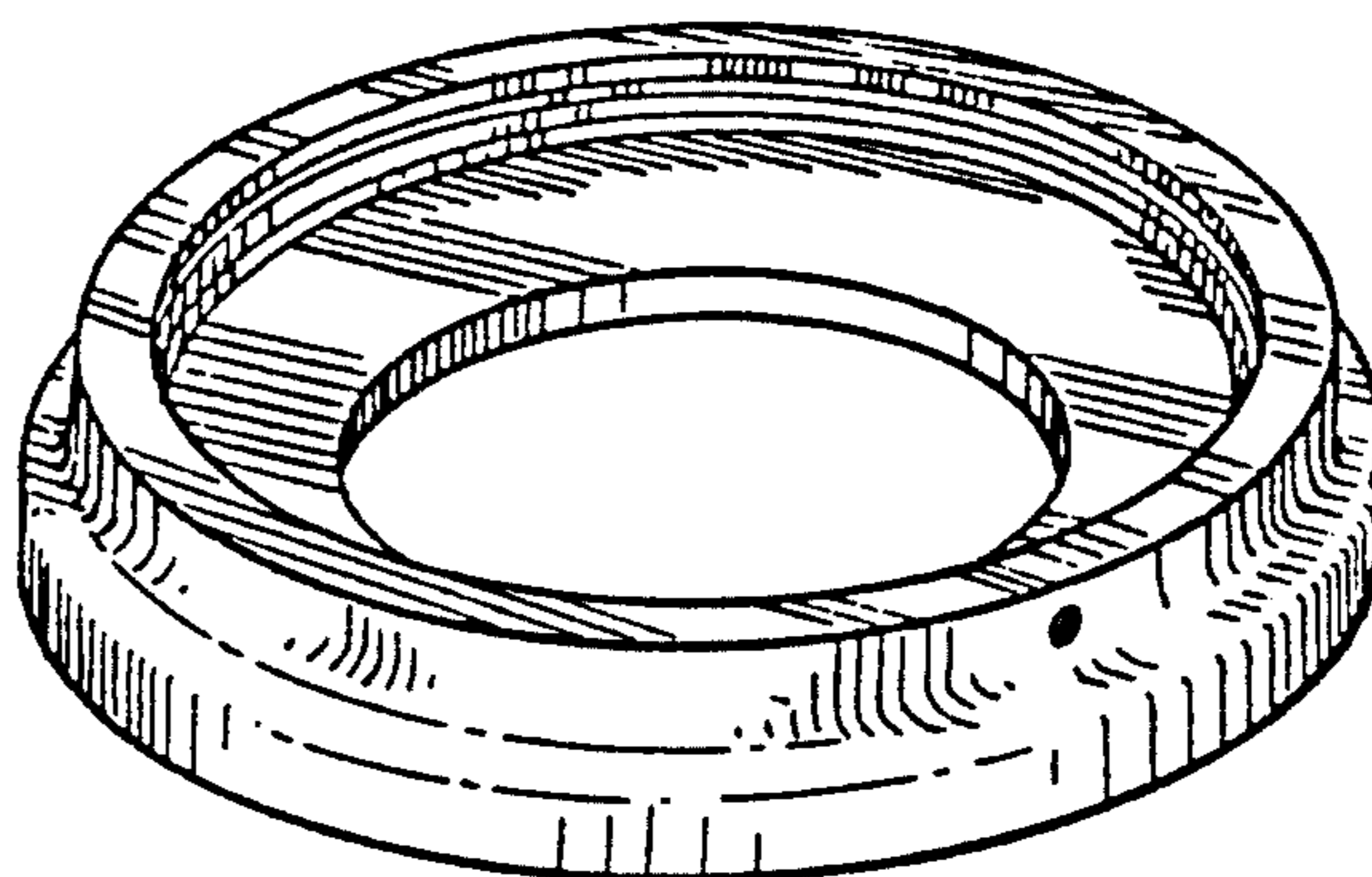


FIG. 1

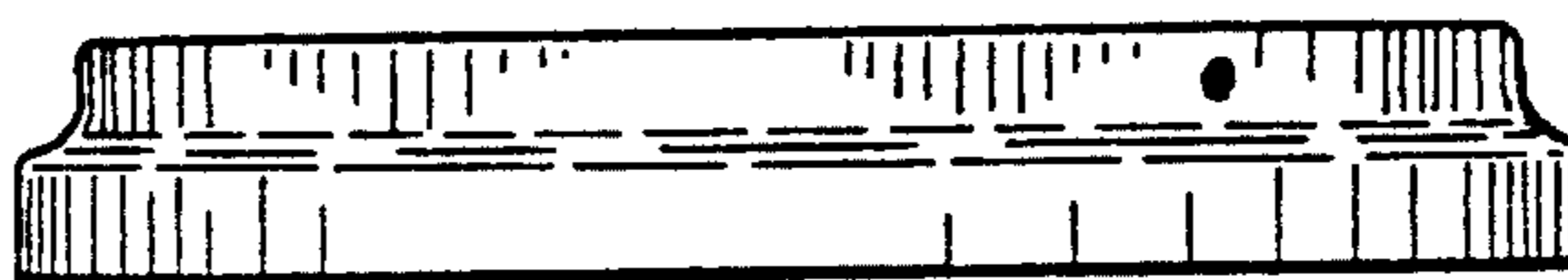


FIG. 2

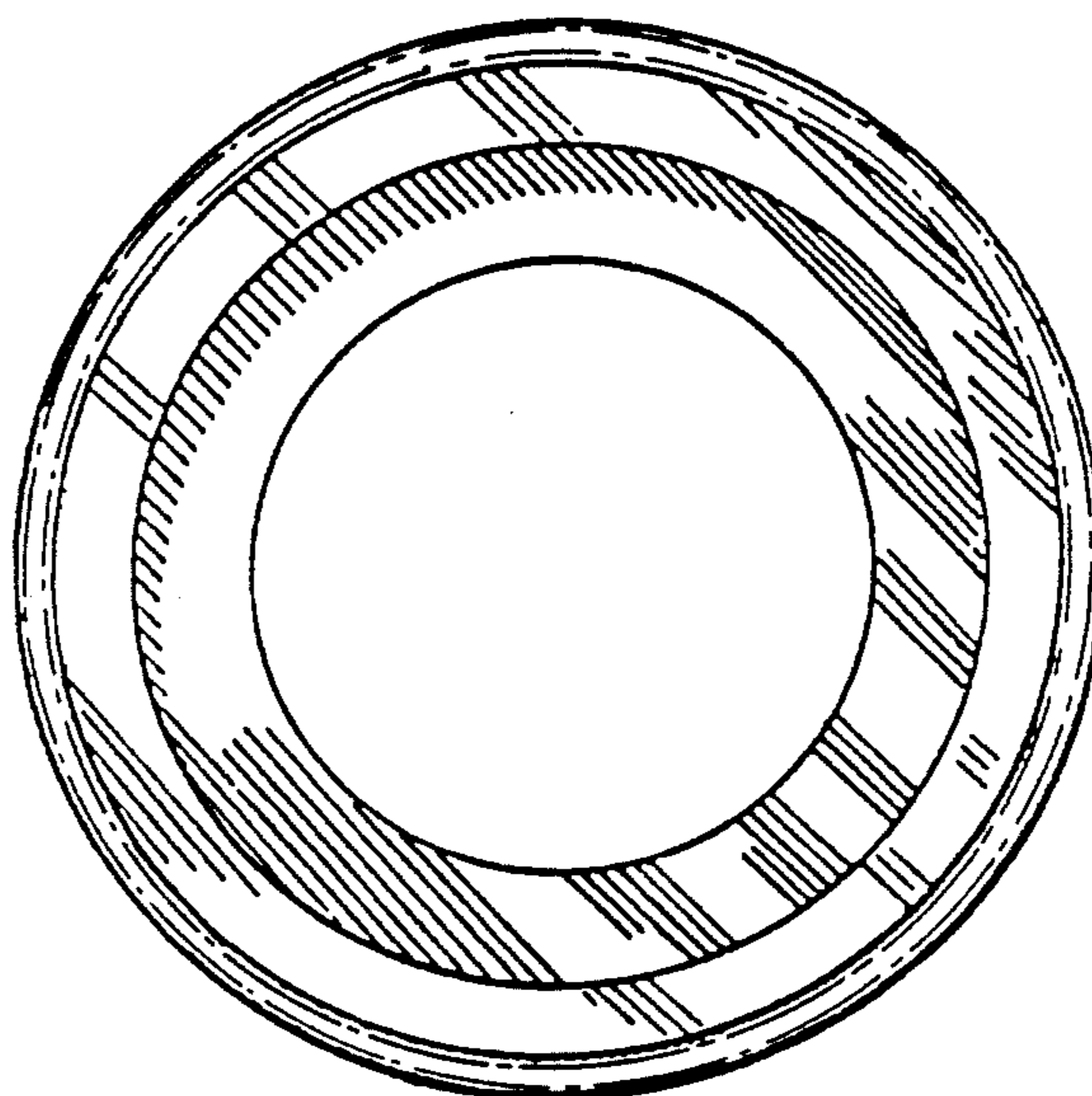


FIG. 3

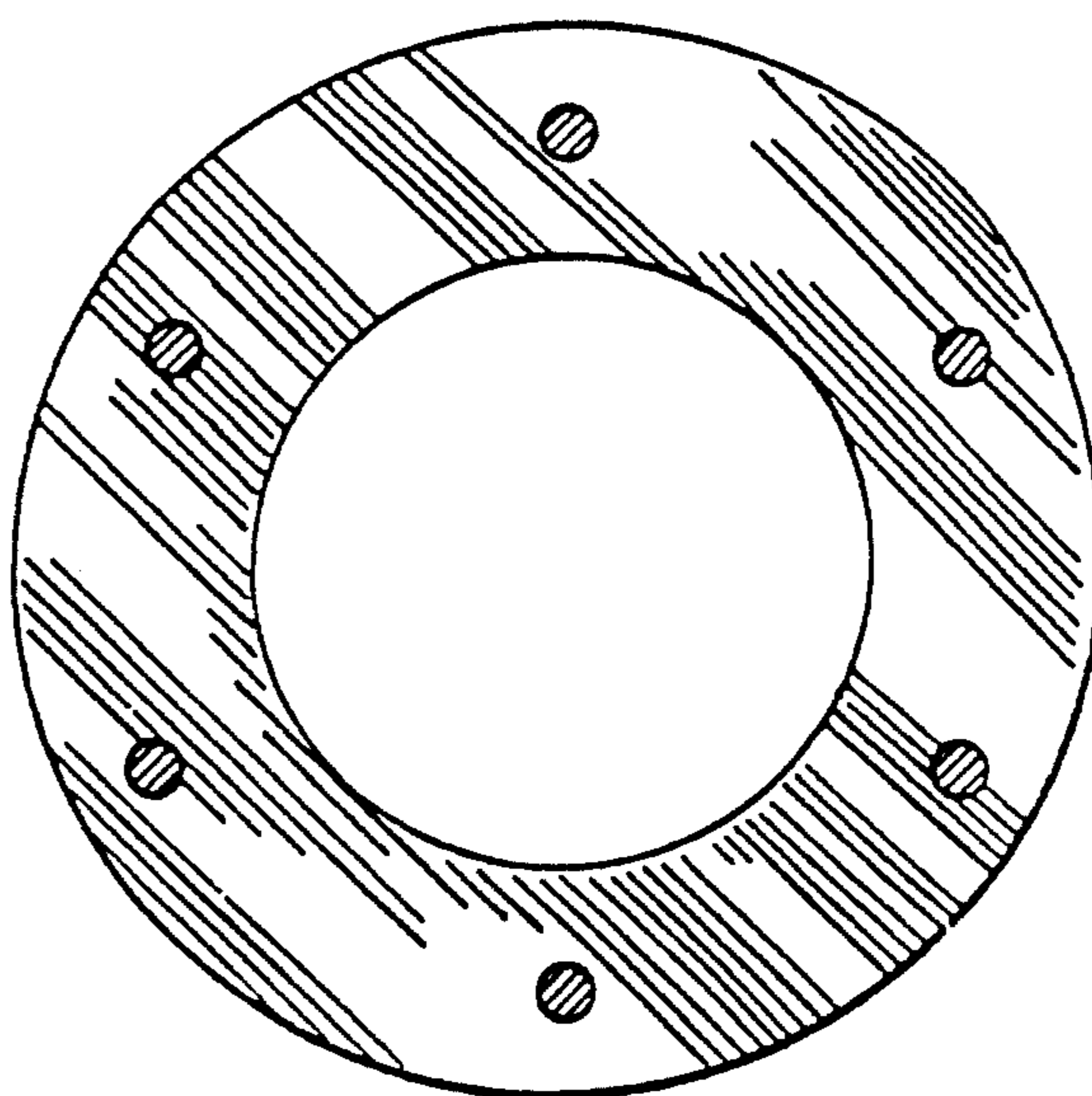


FIG. 4