



US00D346431S

# United States Patent [19]

[11] Patent Number: **Des. 346,431**

Alberico

[45] Date of Patent: **\*\* Apr. 26, 1994**

[54] **FLOAT-CONTROLLED ROTARY VALVE FOR FLOODING A RICE PADDY TO A PREDETERMINED DEPTH**

*Primary Examiner—Stella Reid  
Assistant Examiner—Eric Watterson  
Attorney, Agent, or Firm—Lothrop & West*

[76] Inventor: **Daryl D. Alberico**, Rte. 2, Box 219-A, Willows, Calif. 95988

[57] **CLAIM**

The ornamental design for a float-controlled rotary valve for flooding a rice paddy to a predetermined depth, as shown and described.

[\*\*] Term: **14 Years**

**DESCRIPTION**

[21] Appl. No.: **903,197**

FIG. 1 is a front perspective view of a float-controlled rotary valve for flooding a rice paddy to a predetermined depth, showing my new design, with the louvers in fully closed position;

[22] Filed: **Jun. 26, 1992**

[52] U.S. Cl. .... **D23/236**

FIG. 2 is a front elevational view thereof, but with the louvers in fully open position;

[58] Field of Search ..... 4/391, 395, 407, 414, 4/508; 119/78, 79; 137/409, 410, 424, 426, 433, 434, 448; D23/233-237, 244-249

FIG. 3 is a top plan view thereof with the louvers in mid position;

[56] **References Cited**

**U.S. PATENT DOCUMENTS**

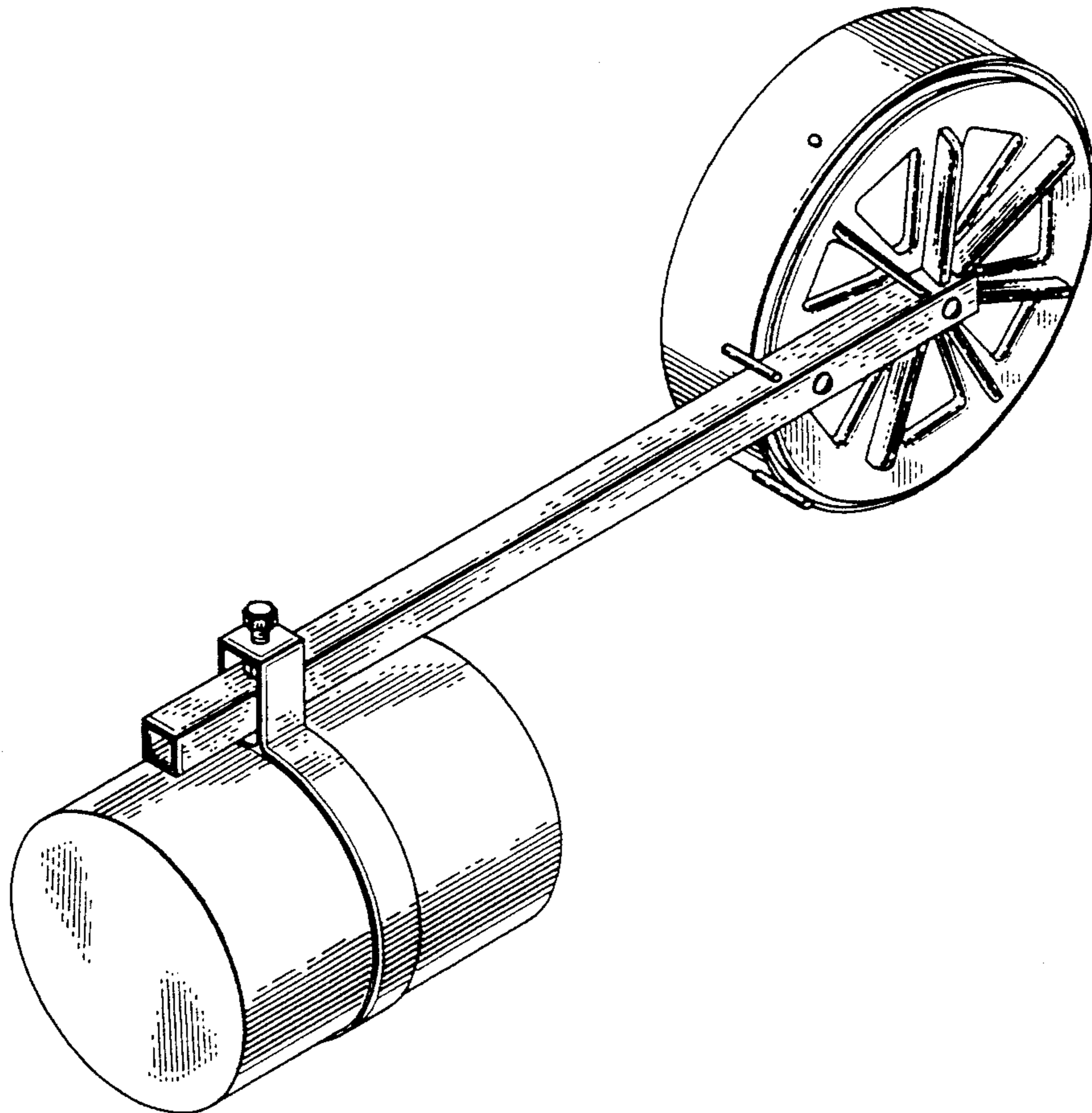
FIG. 4 is a bottom plan view thereof with the louvers in mid position;

D. 292,821	11/1987	Tsolkas	.....	D23/236
D. 292,822	11/1987	Tsolkas	.....	D23/236
382,128	5/1888	Adams	.....	137/527.8 X
715,386	12/1902	Jones	.....	137/434
910,874	1/1909	Singer	.....	137/448 X
2,290,461	7/1942	Yarns	.....	137/448 X
3,916,945	11/1975	Bennett	.....	137/448 X

FIG. 5 is a left side elevational view thereof with the louvers in mid position;

FIG. 6 is a right side elevational view thereof with the louvers in mid position; and,

FIG. 7 is a rear elevational view thereof with the louvers in mid position.



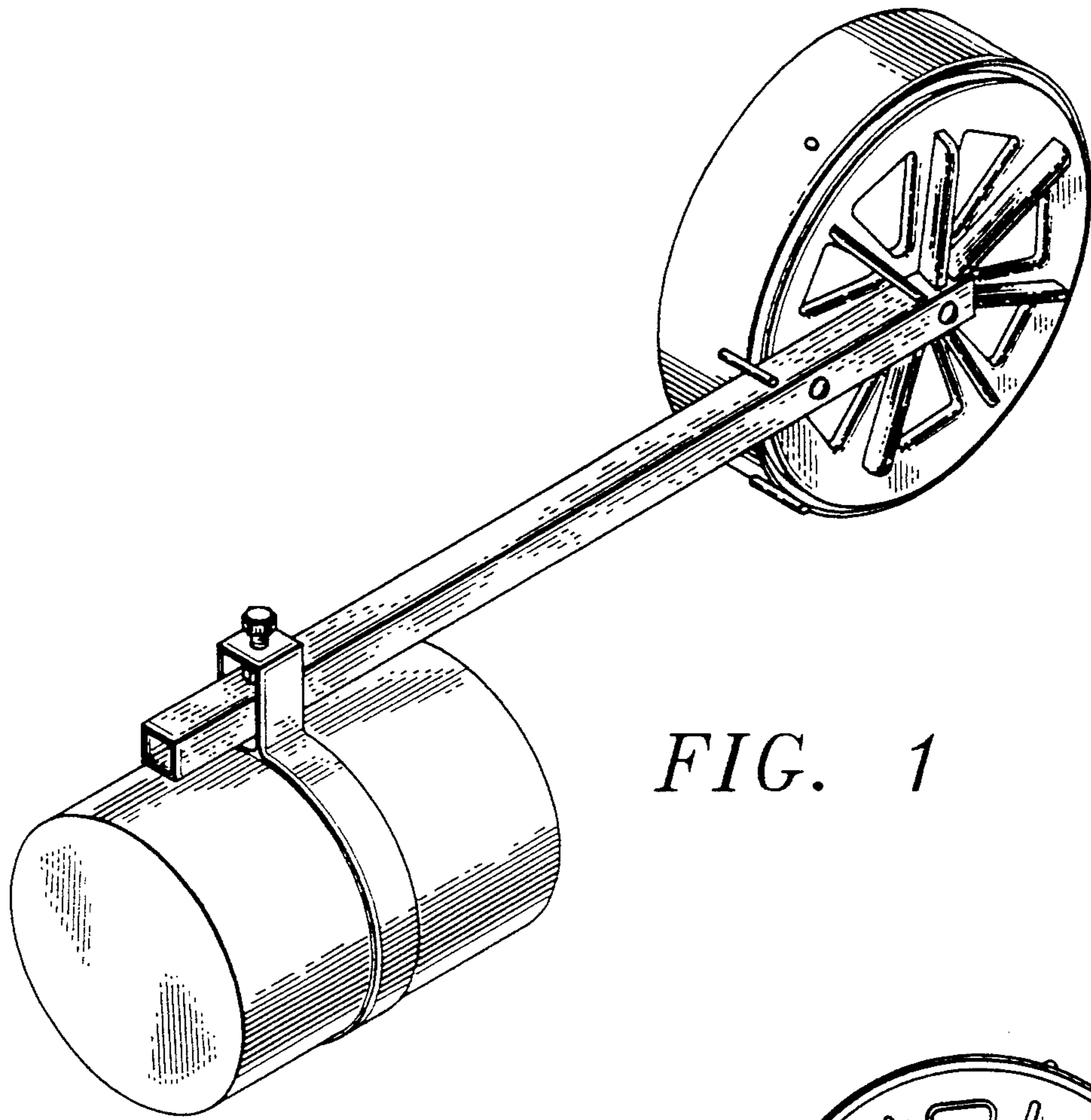


FIG. 1

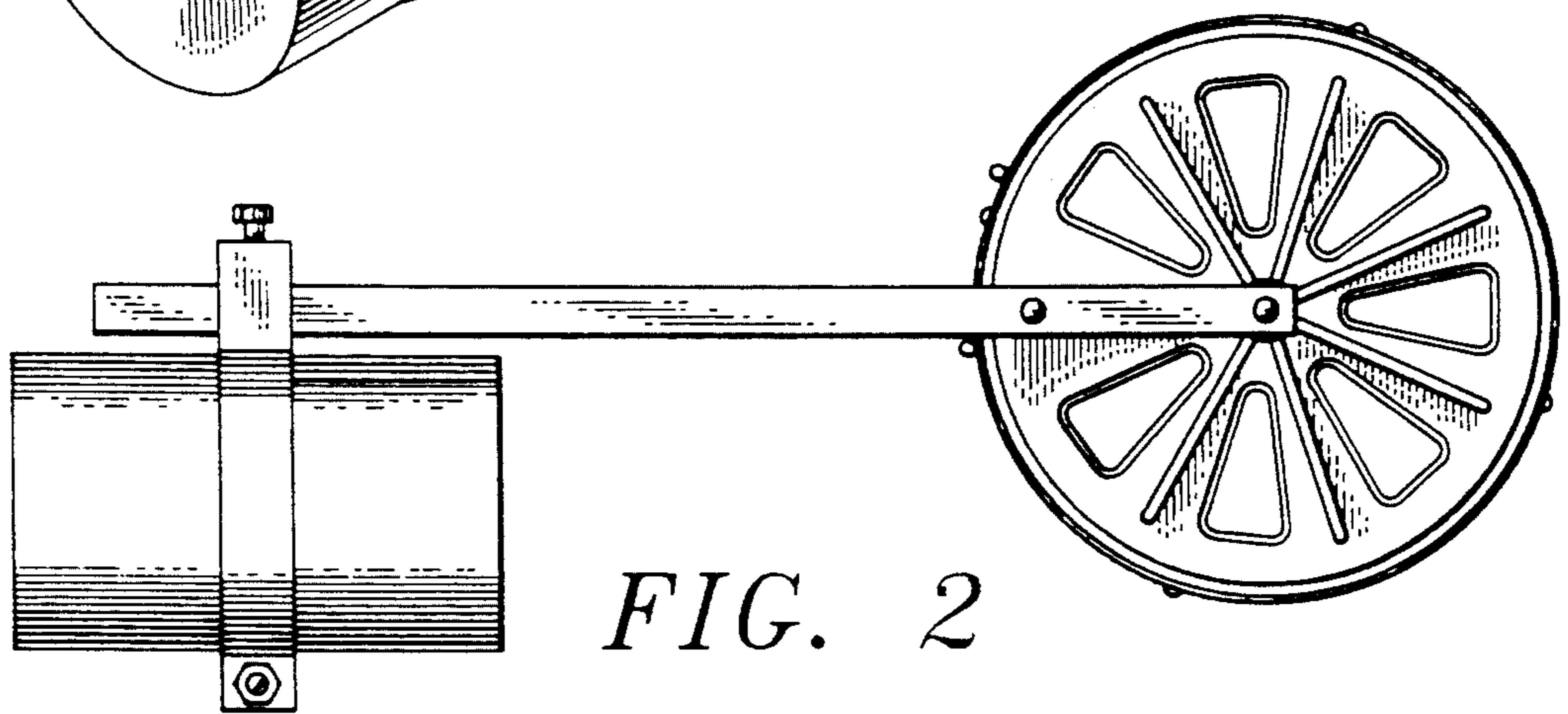


FIG. 2

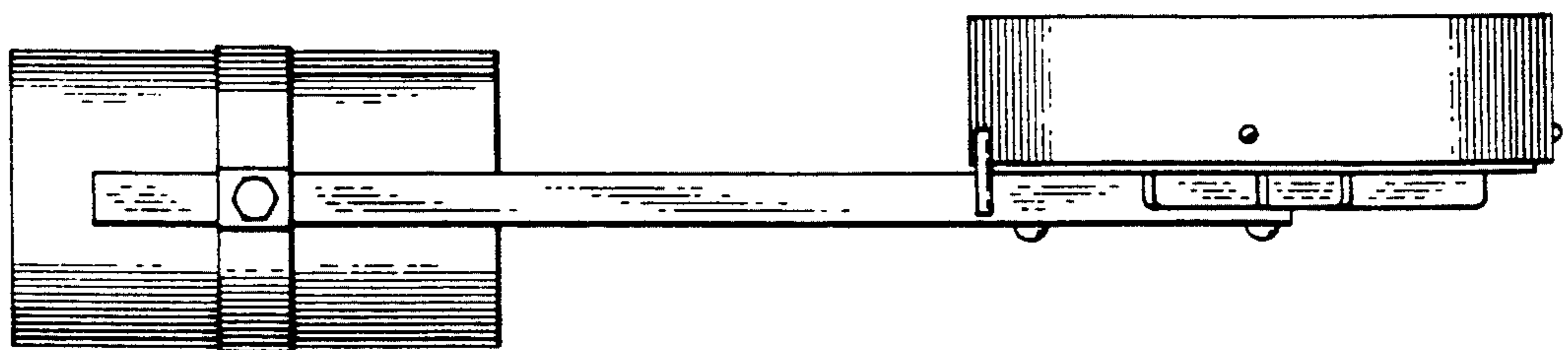


FIG. 3

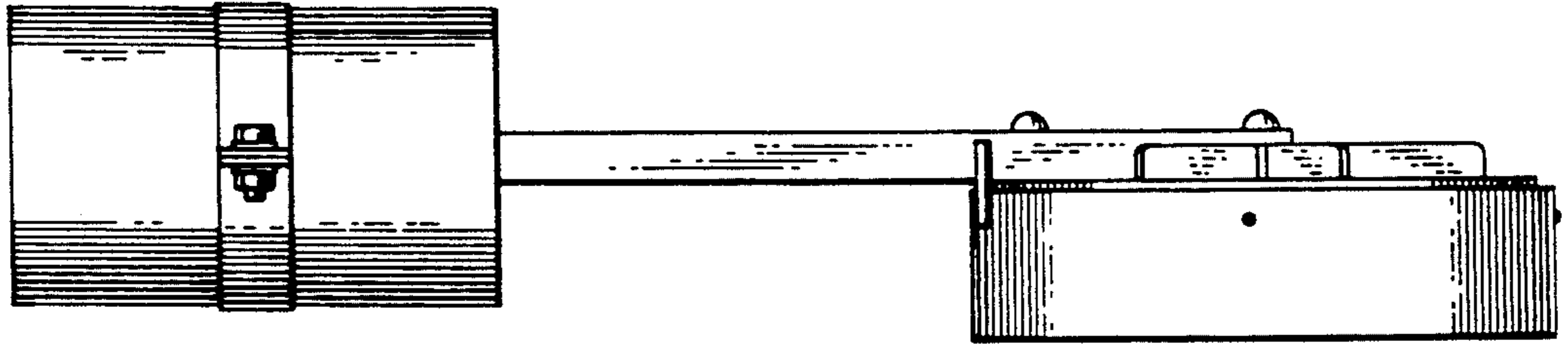


FIG. 4

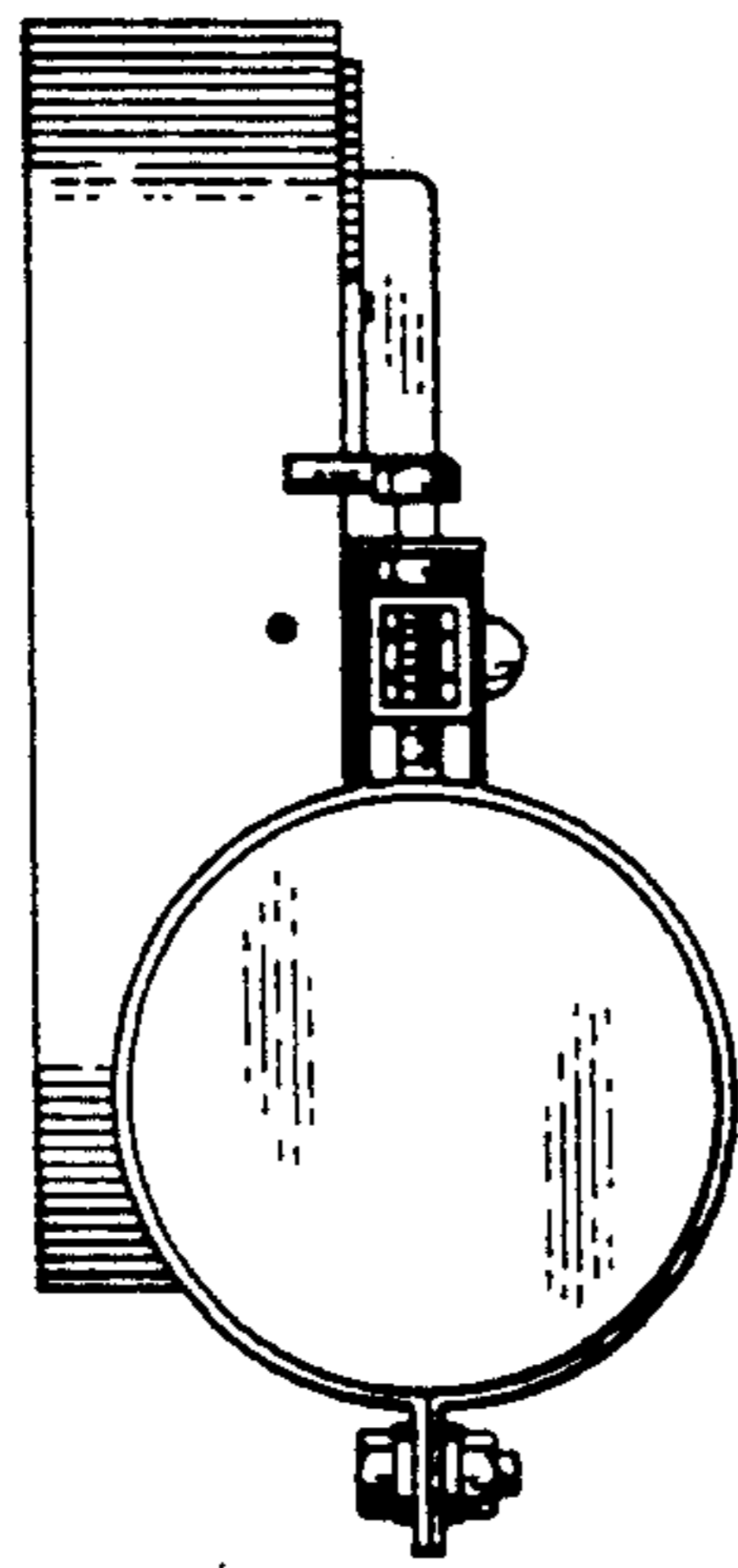


FIG. 5

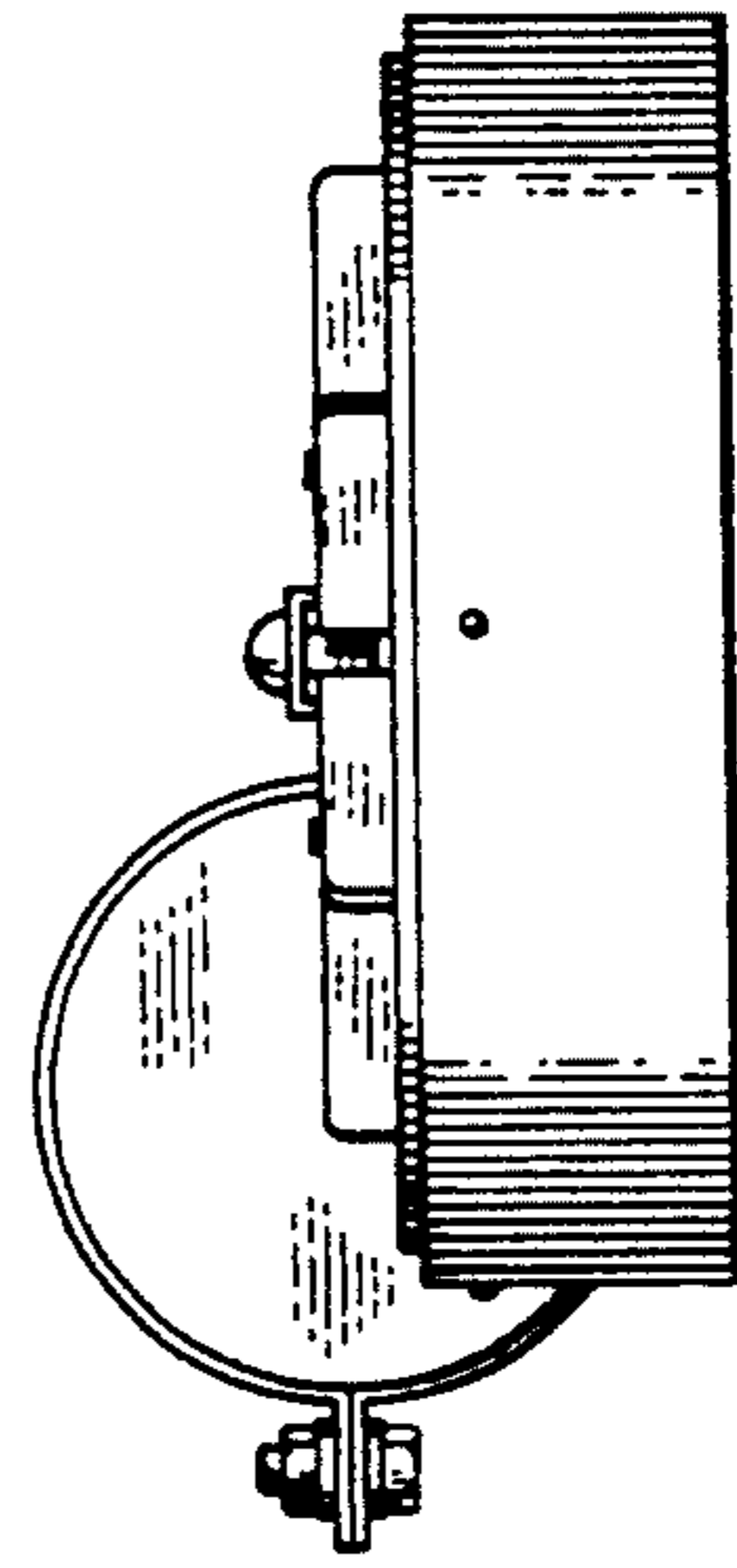


FIG. 6

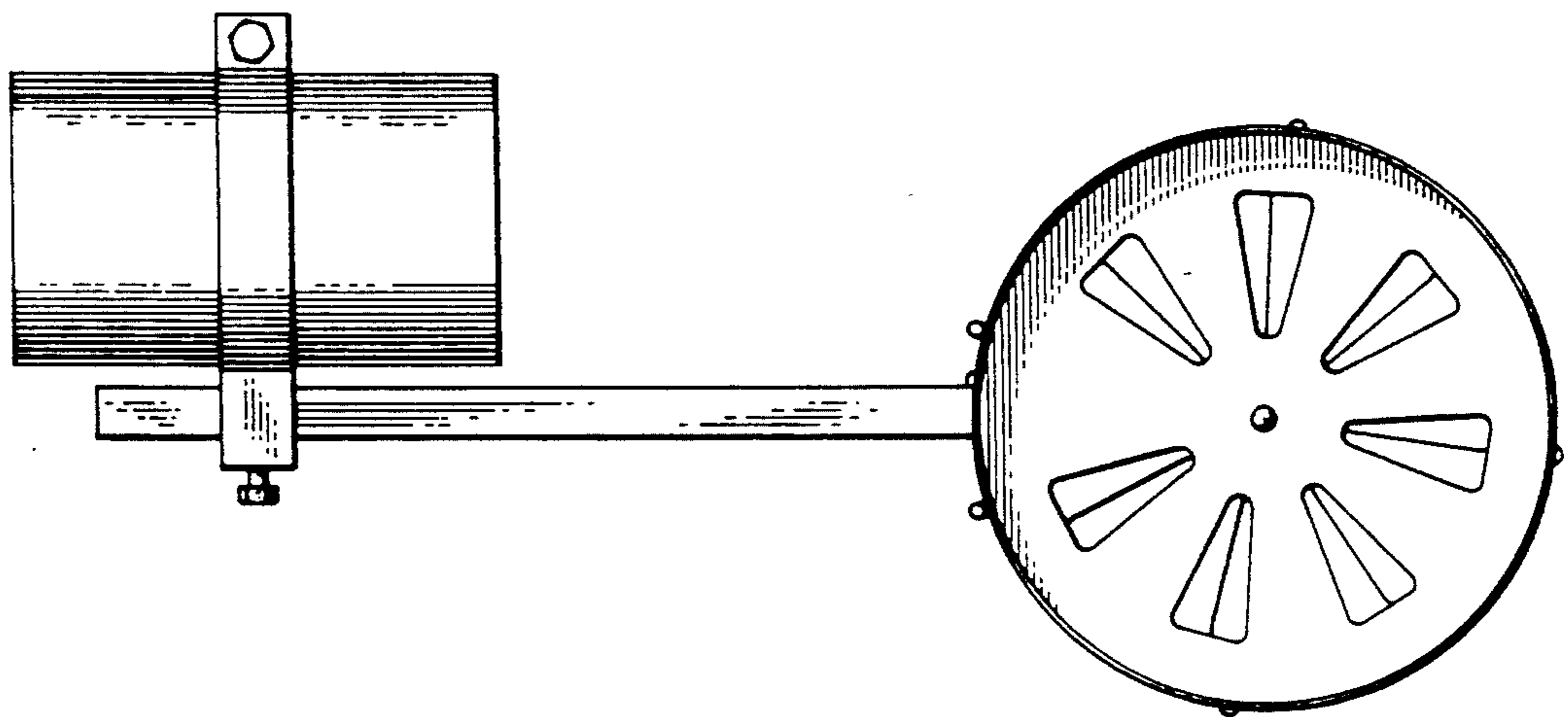


FIG. 7