



US00D346425S

United States Patent [19]

[11] Patent Number: **Des. 346,425**

Hamlett

[45] Date of Patent: **** Apr. 26, 1994**

[54] **FERTILIZER DISPENSER**

[76] Inventor: **Gregory L. Hamlett**, 1313 Aspen Ave., Lovington, N. Mex. 88260

[**] Term: **14 Years**

[21] Appl. No.: **846,434**

[22] Filed: **Mar. 6, 1992**

[52] U.S. Cl. **D23/207**

[58] Field of Search 239/201, 309-310, 239/317, 318, 154, 302, 375, 526, 583; 222/54, 56, 67, 310, 82; D23/207-208, 213, 200

[56] **References Cited**

U.S. PATENT DOCUMENTS

D. 291,112	7/1987	Franco et al.	D23/207
D. 303,086	8/1989	Rothfor	D9/559 X
D. 309,652	7/1990	Chalberg et al.	D23/207
D. 324,496	3/1992	Poandl	D9/559
3,618,539	11/1971	Daniels	239/310
3,770,205	11/1973	Proctor et al.	239/317

3,912,167	10/1975	Simon	239/66
3,933,169	1/1976	Halley	239/310 X
4,673,128	6/1987	Keller	239/66
4,838,310	6/1989	Scott et al.	239/66

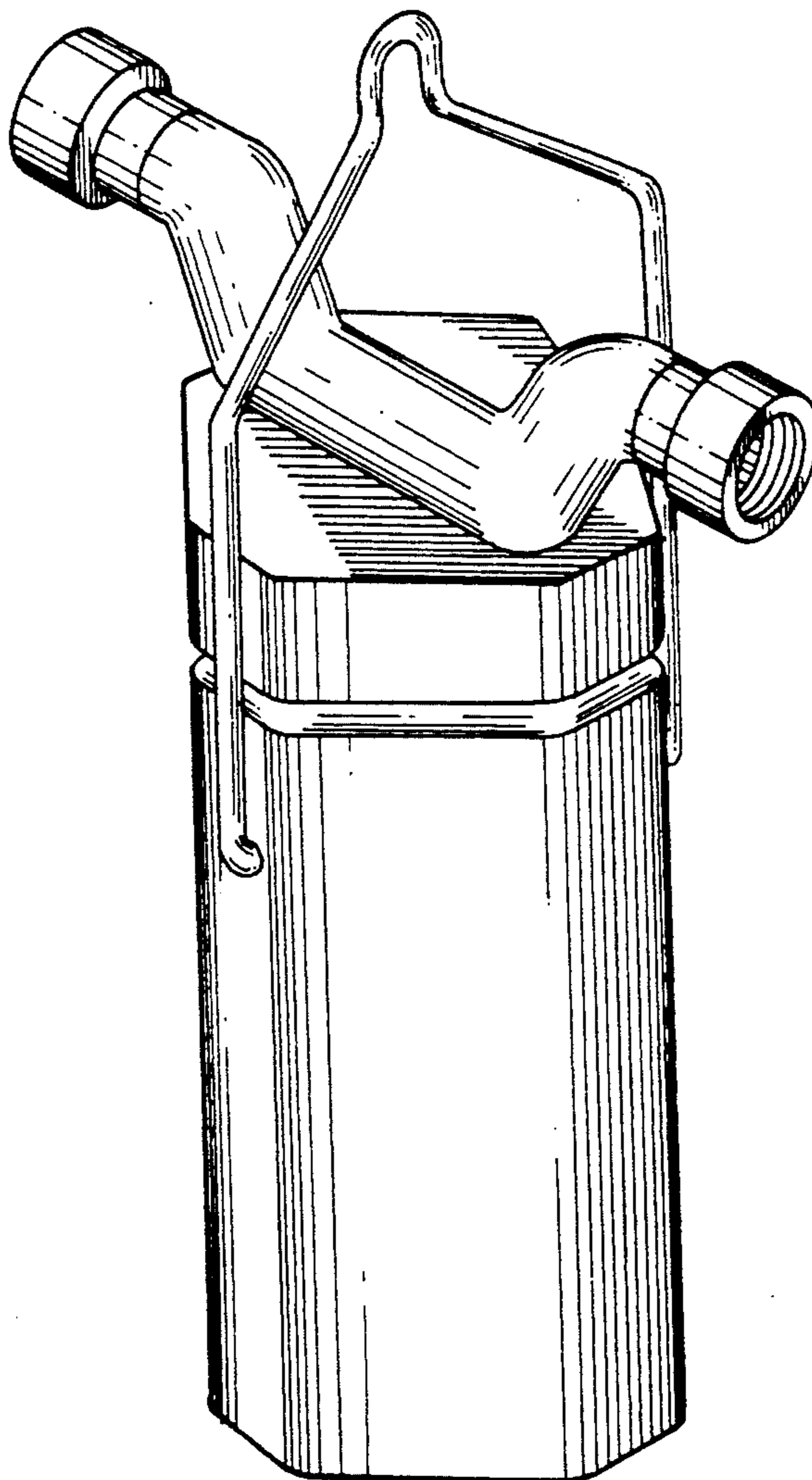
Primary Examiner—Wallace R. Burke
Assistant Examiner—M. H. Tung
Attorney, Agent, or Firm—Terry M. Gernstein

[57] **CLAIM**

The ornamental design for a fertilizer dispenser, as shown and described.

DESCRIPTION

FIG. 1 is a perspective view of the fertilizer dispenser embodying the design of the present invention, on a reduced scale;
FIG. 2 is a front elevational view thereof, the rear being a mirror image of the front shown in FIG. 2;
FIG. 3 is a side elevational view thereof, the side opposite being a mirror image of the side shown in FIG. 3;
FIG. 4 is a top plan view thereof; and,
FIG. 5 is a bottom view thereof.



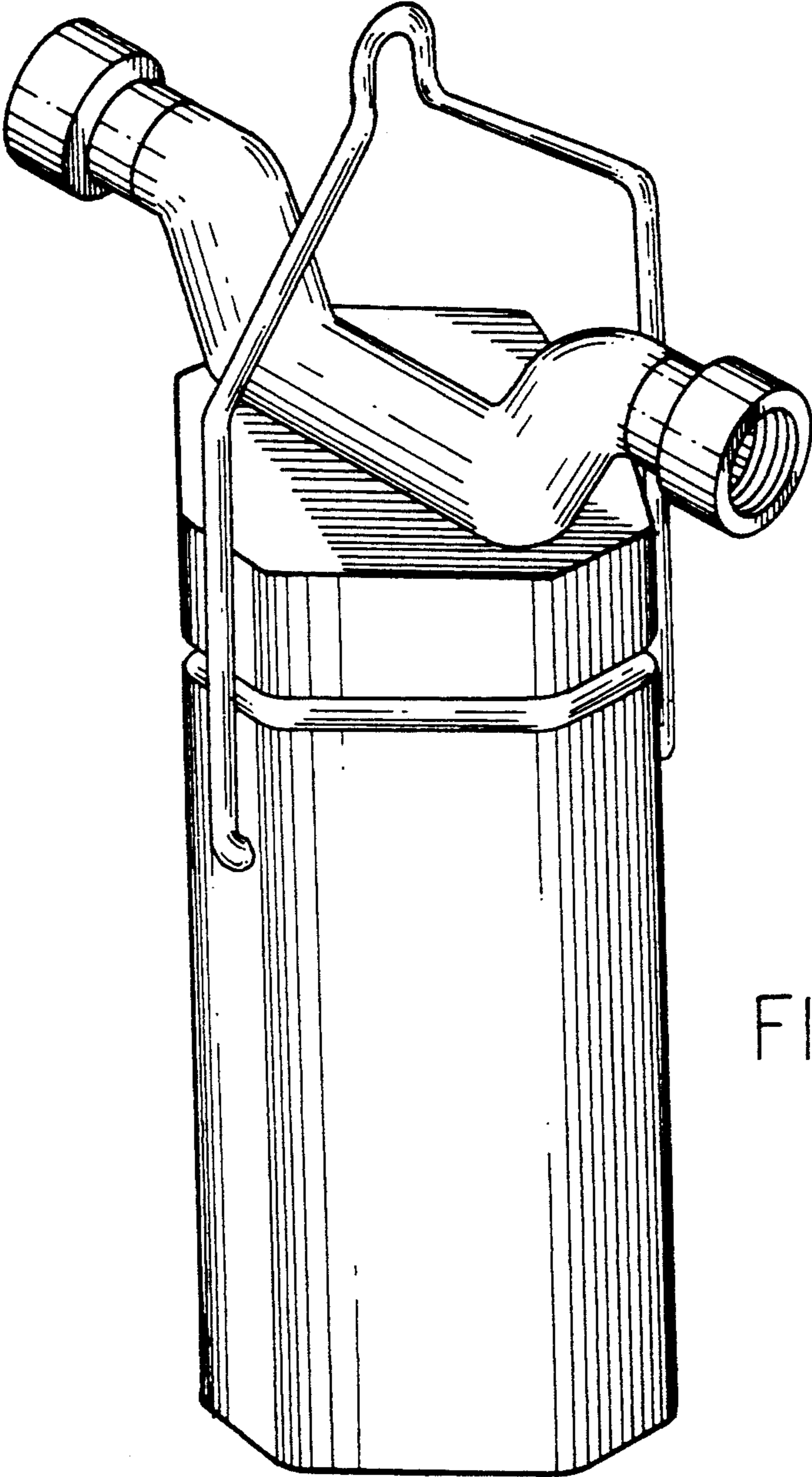


FIG.1.

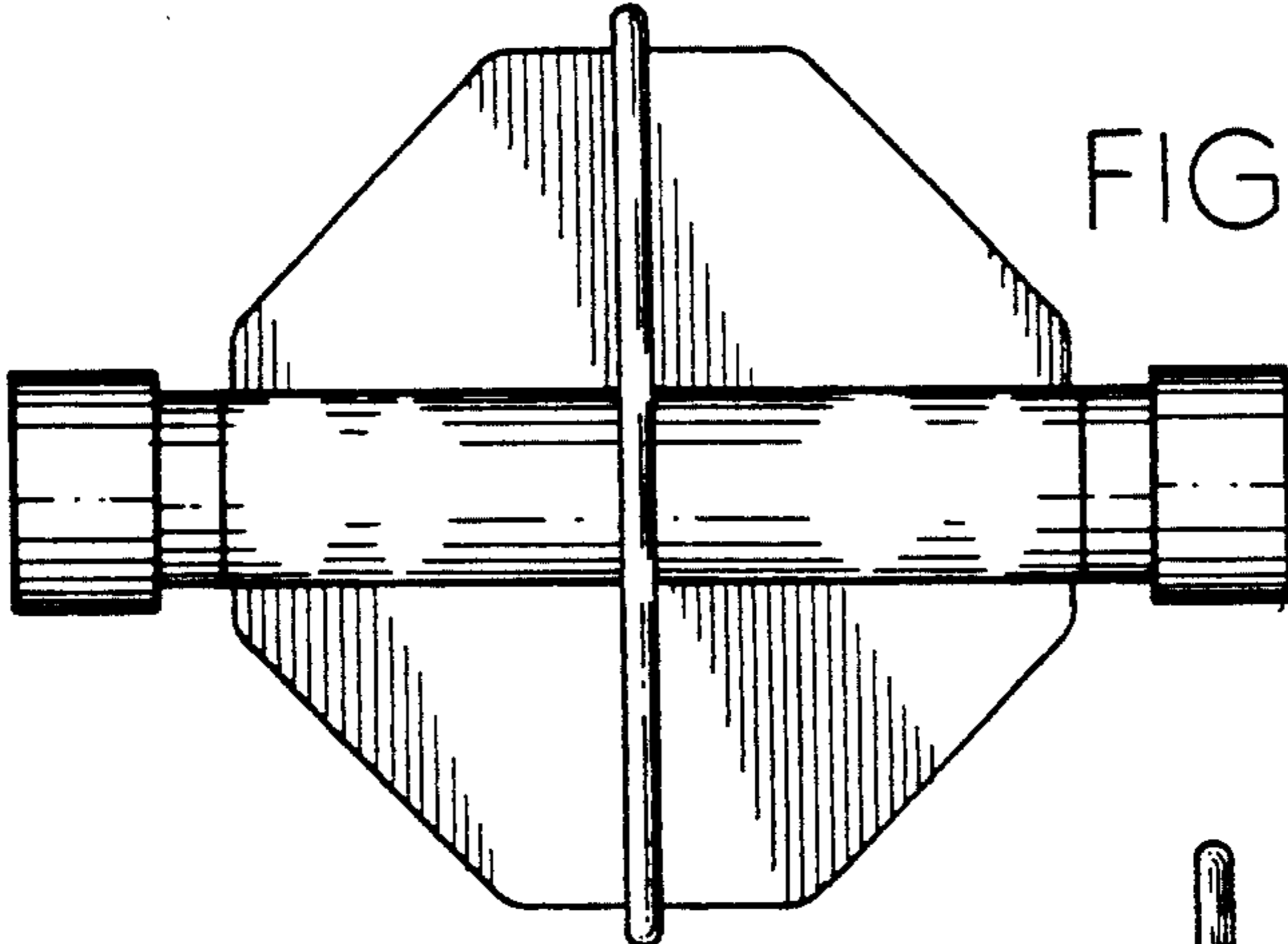


FIG. 4.

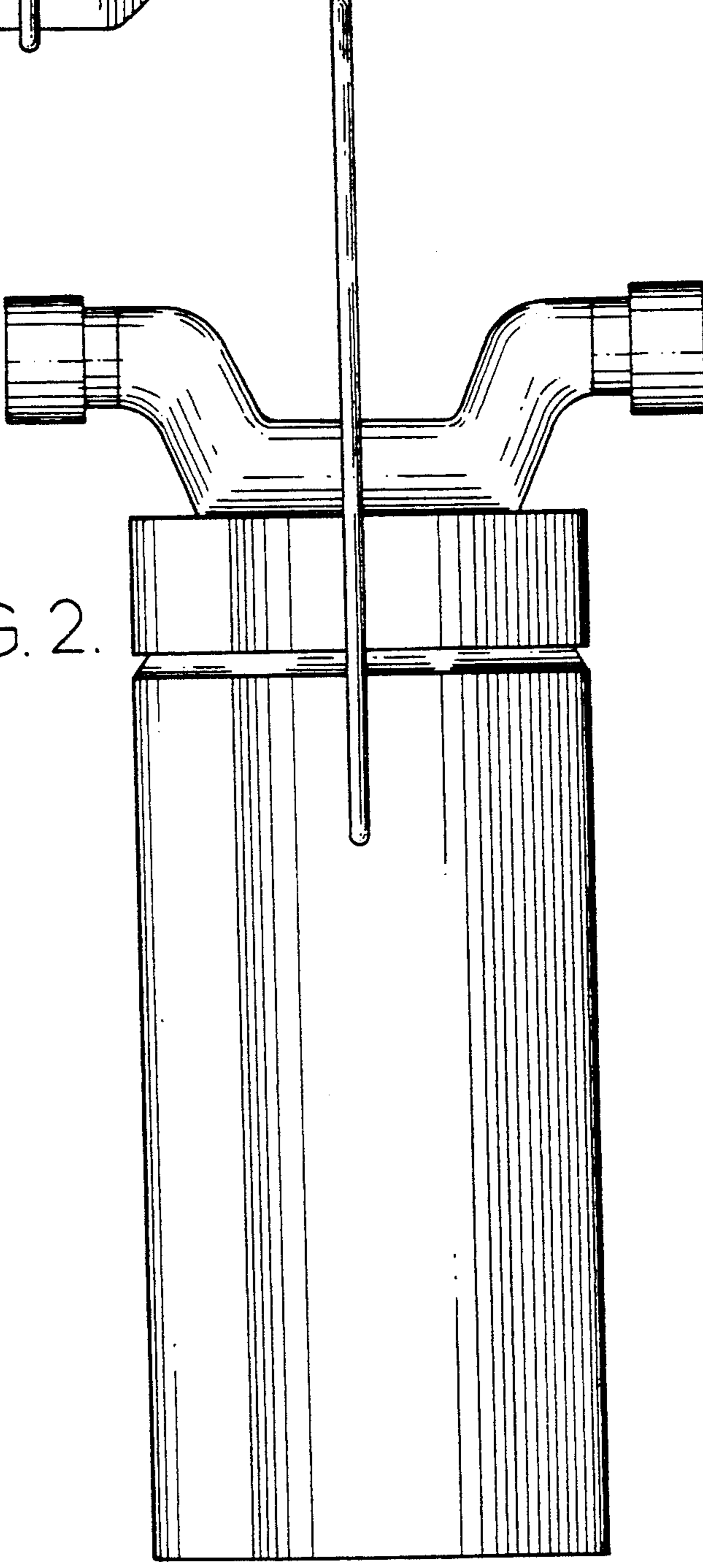


FIG. 2.

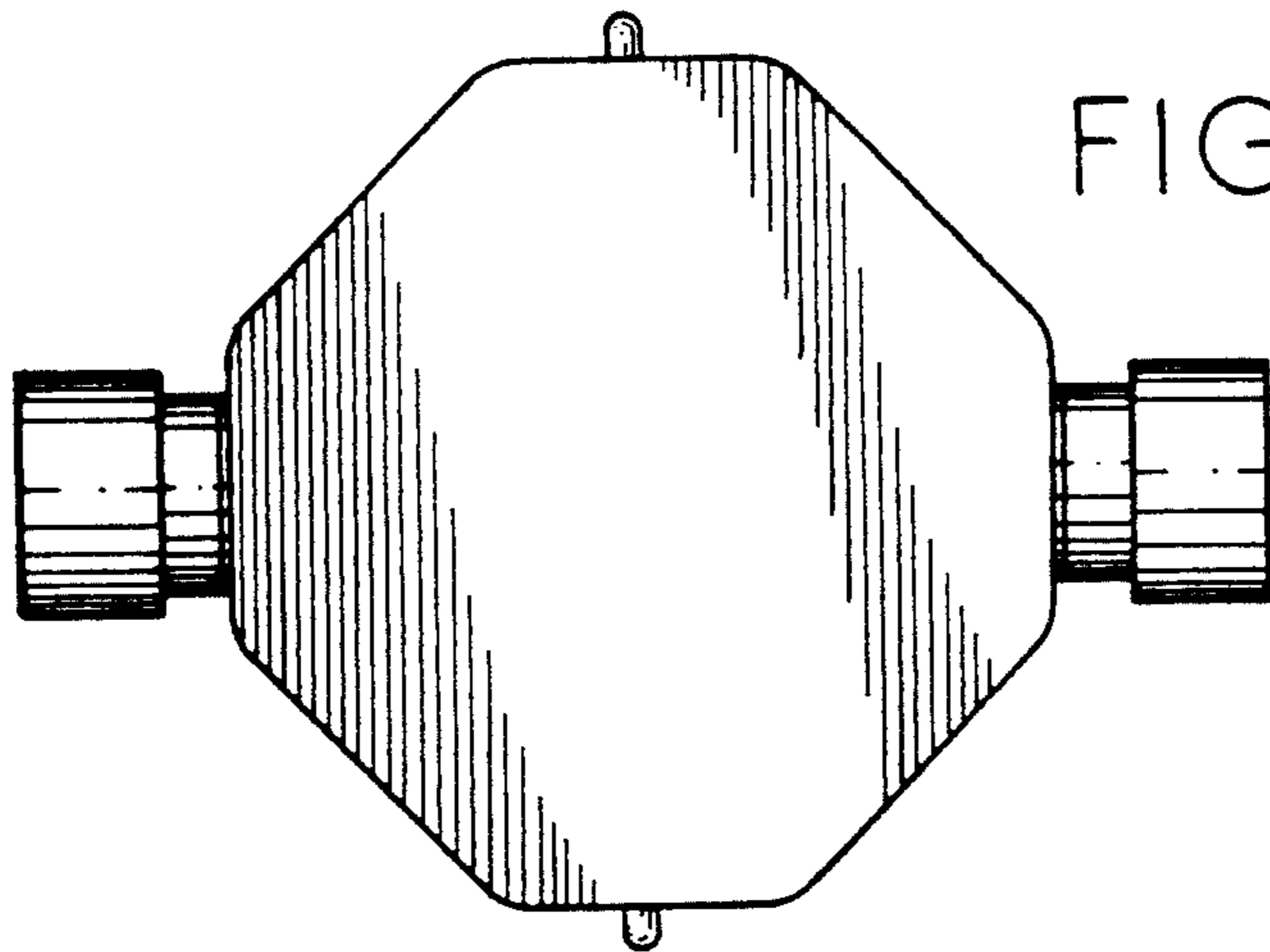


FIG. 5.

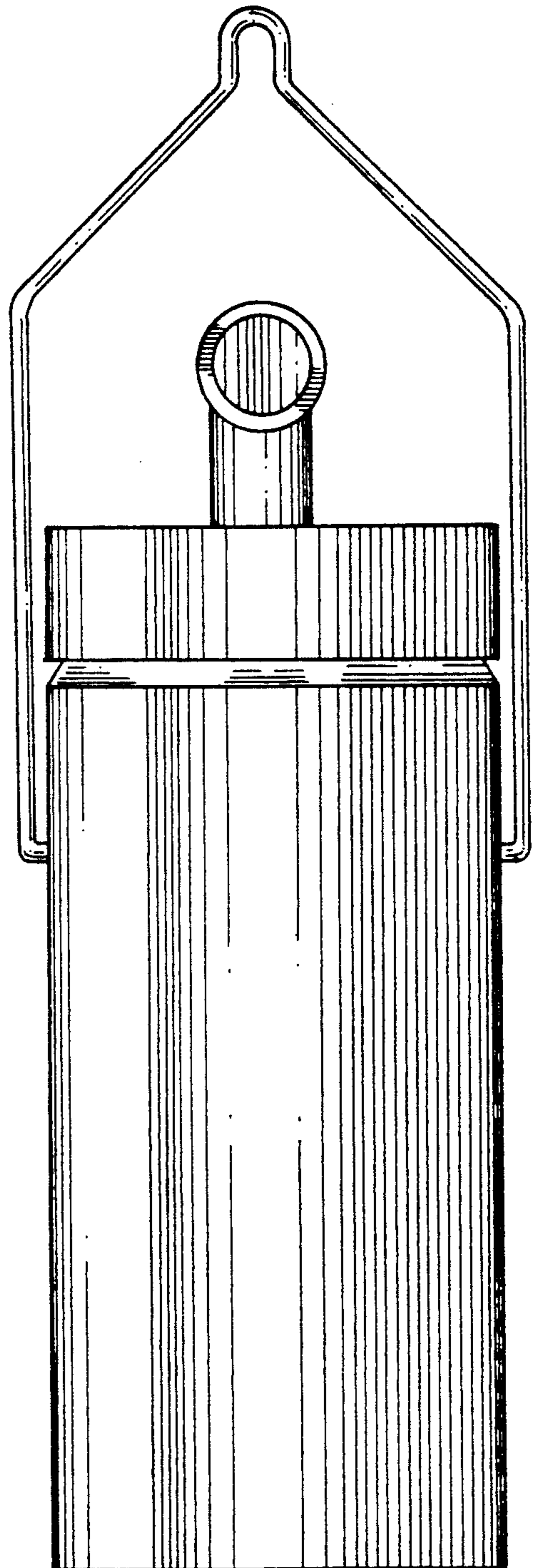


FIG. 3.