



US00D346420S

United States Patent [19]

[11] Patent Number: **Des. 346,420**

Cacciola et al.

[45] Date of Patent: **** Apr. 26, 1994**

[54] **TOY PLAY GARDEN**

[75] Inventors: **Joseph C. Cacciola; Jeffery G. Martin**, both of Hudson, Ohio

[73] Assignee: **The Little Tikes Company**, Hudson, Ohio

[**] Term: **14 Years**

[21] Appl. No.: **4,431**

[22] Filed: **Feb. 4, 1993**

[52] U.S. Cl. **D21/242; D21/114**

[58] Field of Search **472/136, 92, 94; 446/476; D21/240, 242, 247, 245, 114, 116, 119; D25/47, 35, 38, 199, 1, 31**

[56] **References Cited**

U.S. PATENT DOCUMENTS

D. 247,191	2/1978	Gordon, Sr.	D21/116
D. 292,602	11/1987	Jones et al.	D21/118
D. 295,650	5/1988	Argandona	D21/114
D. 338,507	8/1993	Hopkins	D21/114
652,516	6/1900	Kotin	472/136 X
778,325	12/1904	McKay	472/136 X

OTHER PUBLICATIONS

The Little Tikes Co. 1991, p. 79, as shown.
American Weekly 1959, p. 9 as shown.
Forms Inc., 1964, p. 12 as shown.
Pp. 8 & 9, Toddler Playground; Today's Kids, Highway 10 East, Boonerville, Arkansas 72927. Publication date-1991.

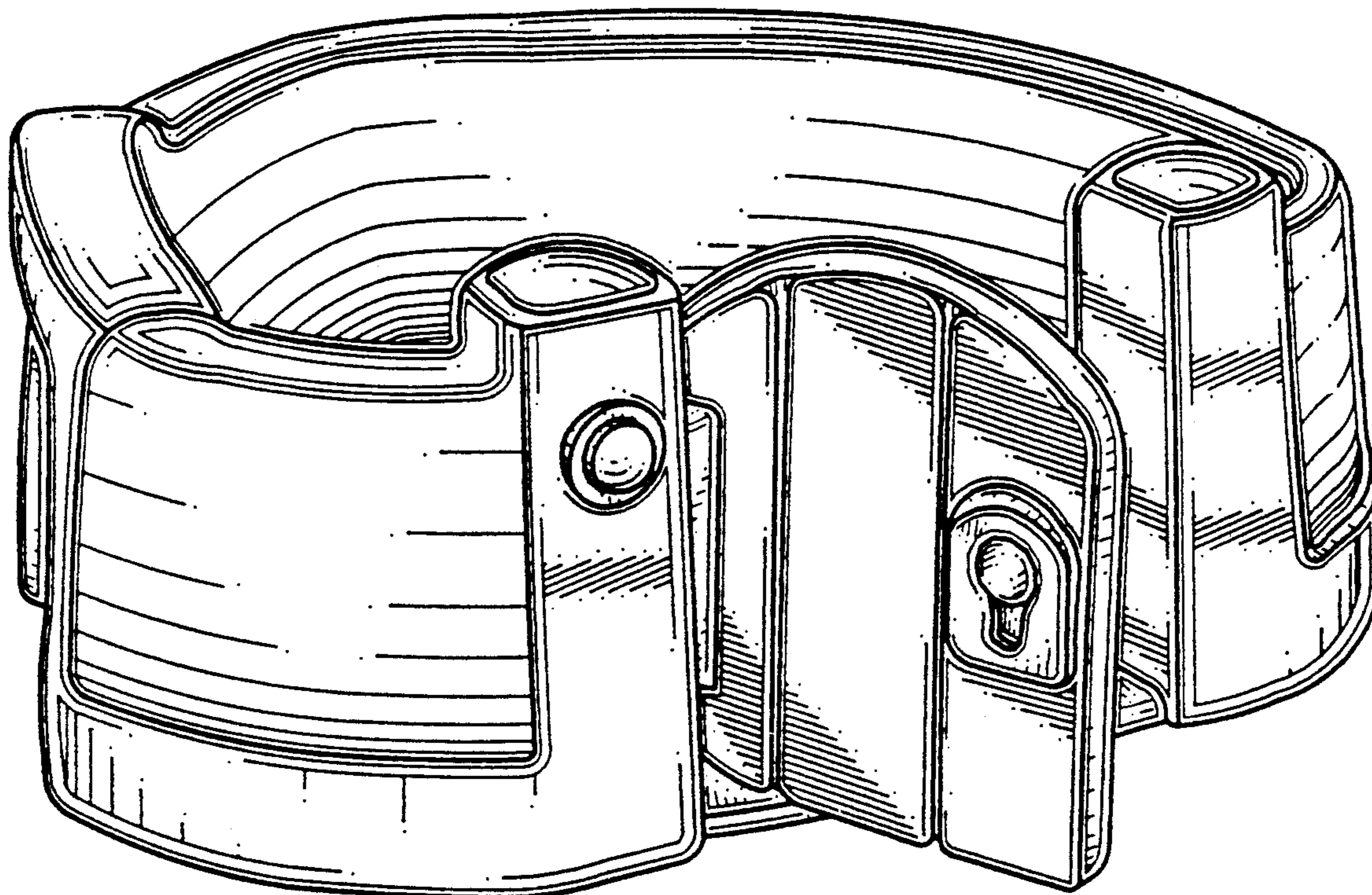
Primary Examiner—Prabhakar G. Deshmukh
Attorney, Agent, or Firm—Richard B. O'Planick; Lisa B. Riedesel

[57] **CLAIM**

The ornamental design for a toy play garden, as shown and described.

DESCRIPTION

FIG. 1 is a top left front perspective view of a toy play garden showing our new design;
FIG. 2 is a front elevational view thereof;
FIG. 3 is a rear elevational view thereof;
FIG. 4 is a left side elevational view thereof;
FIG. 5 is a top plan view thereof; and,
FIG. 6 is a right side elevational view thereof.



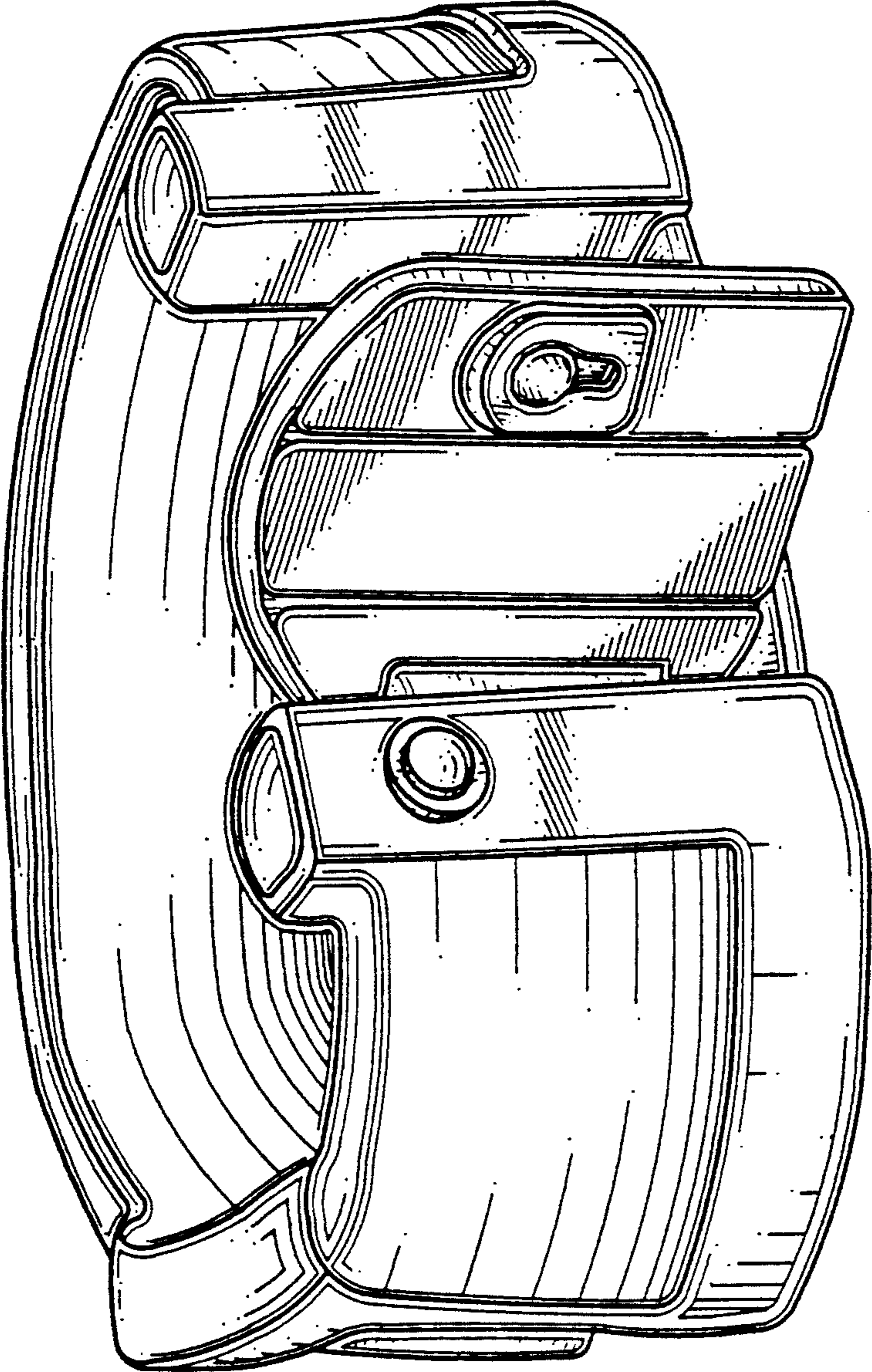


Fig. 1

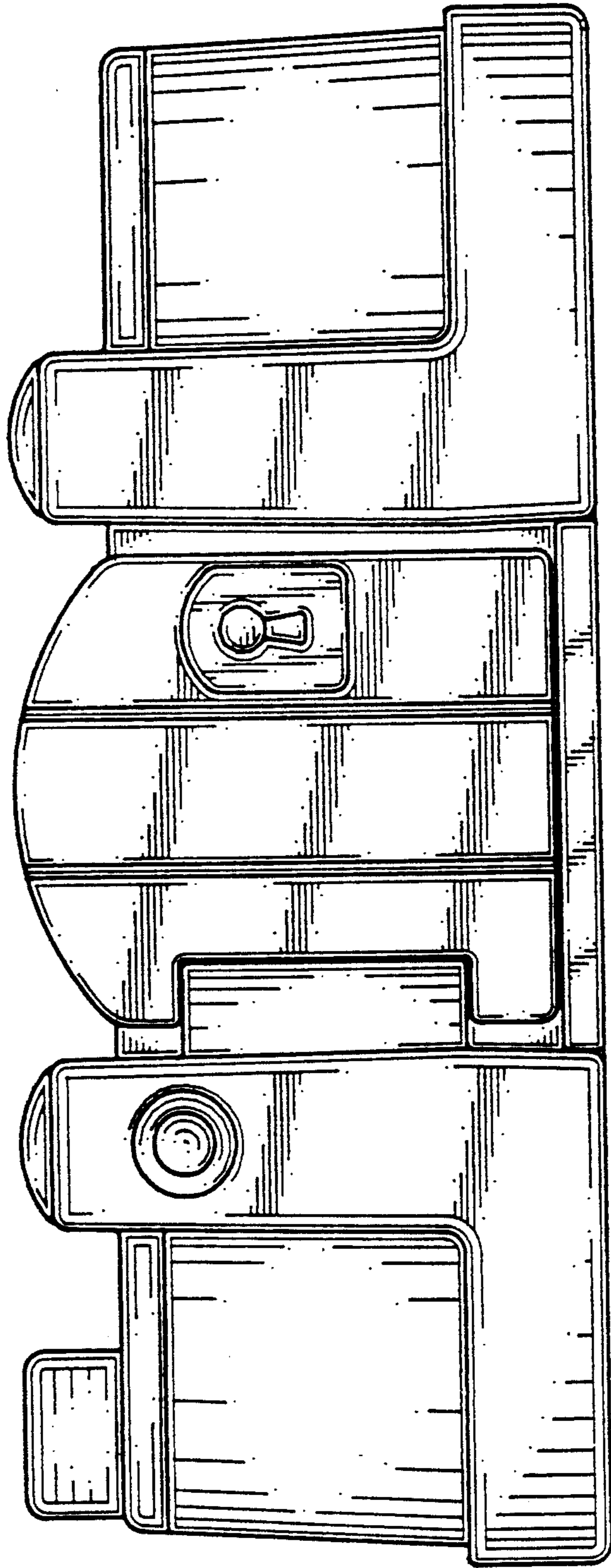


Fig. 2

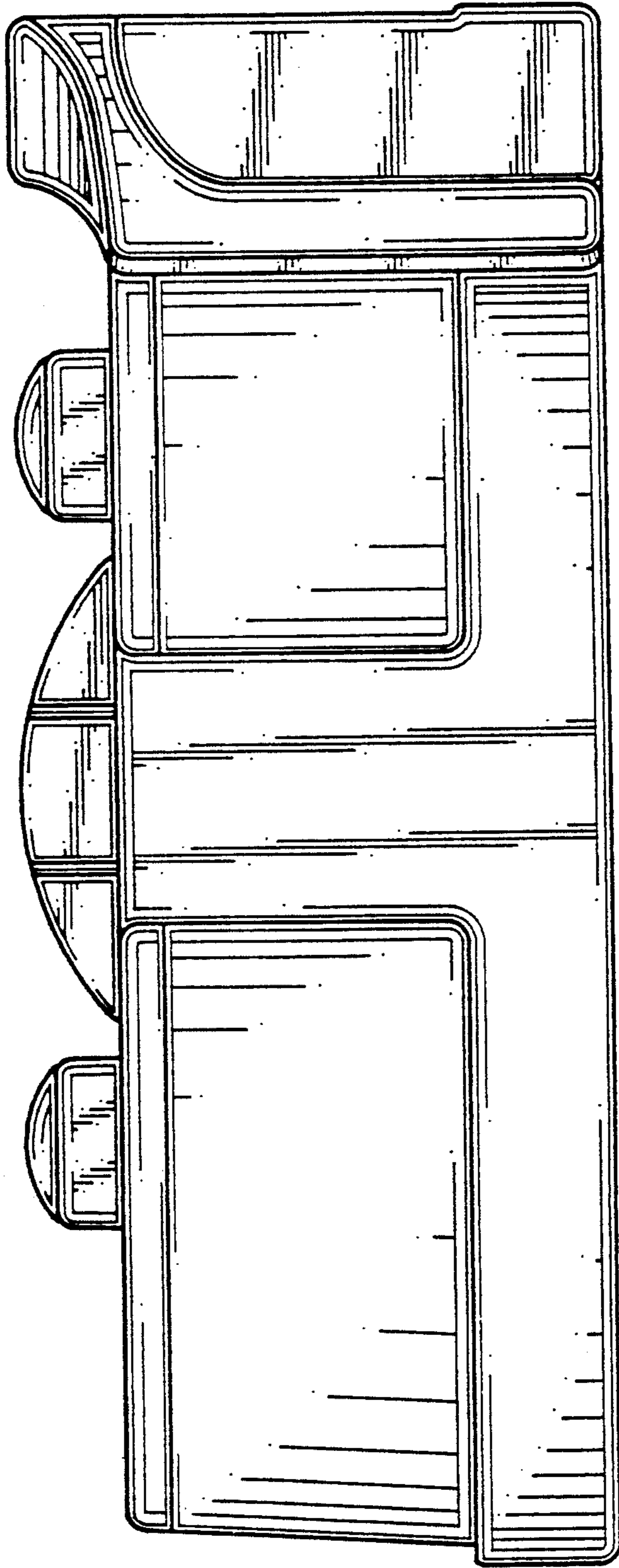


Fig. 3

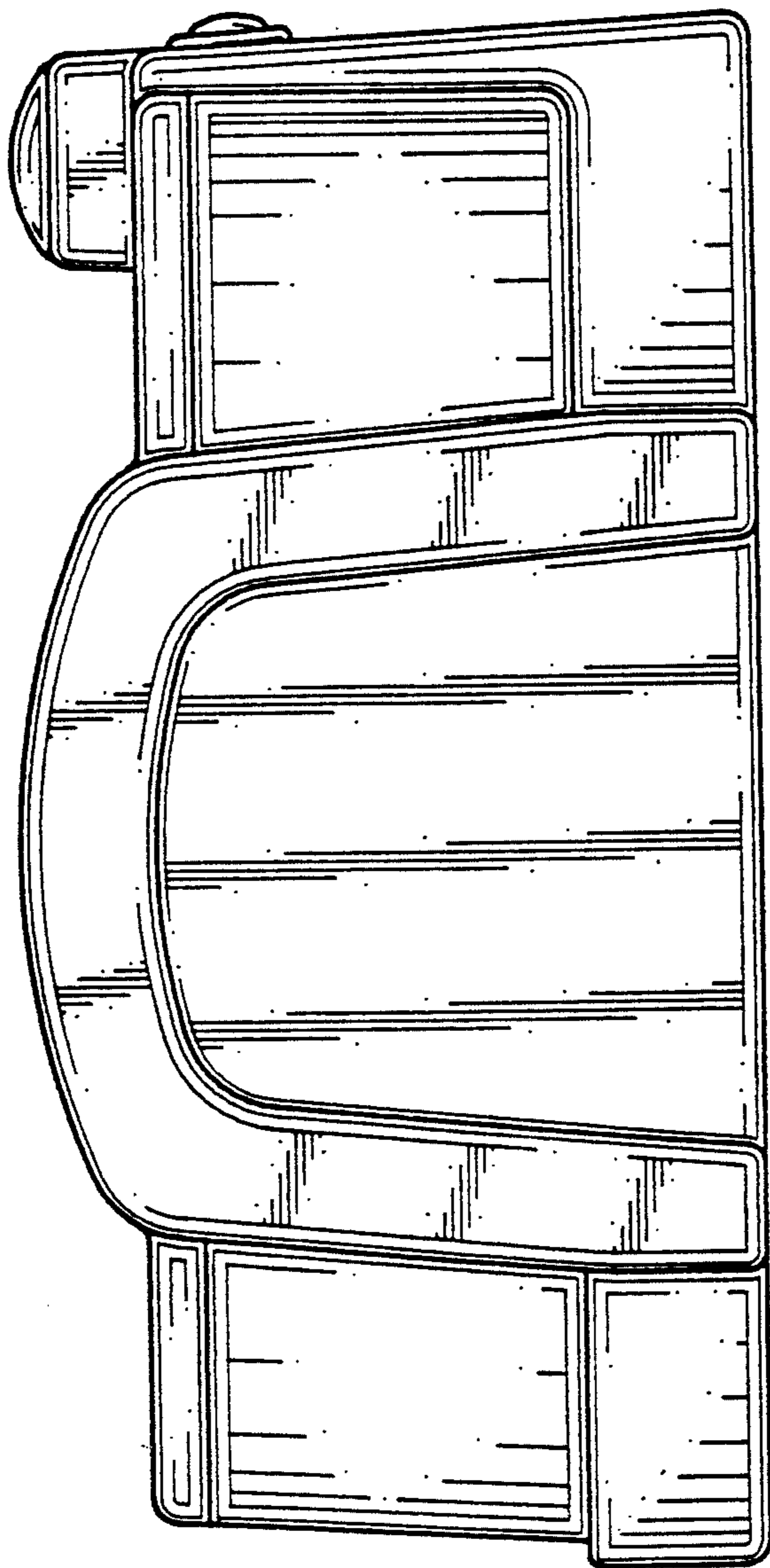


Fig. 4

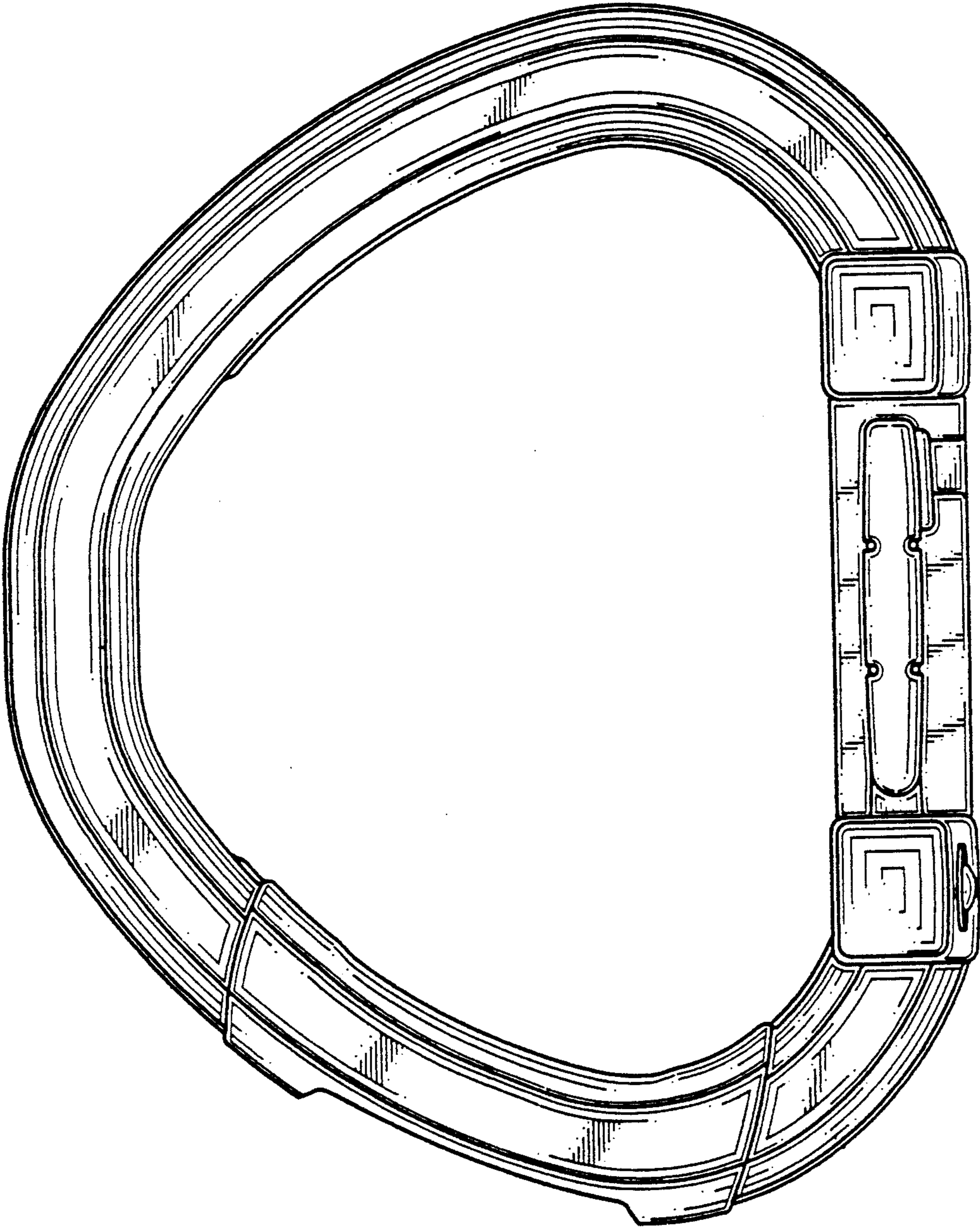


Fig. 5

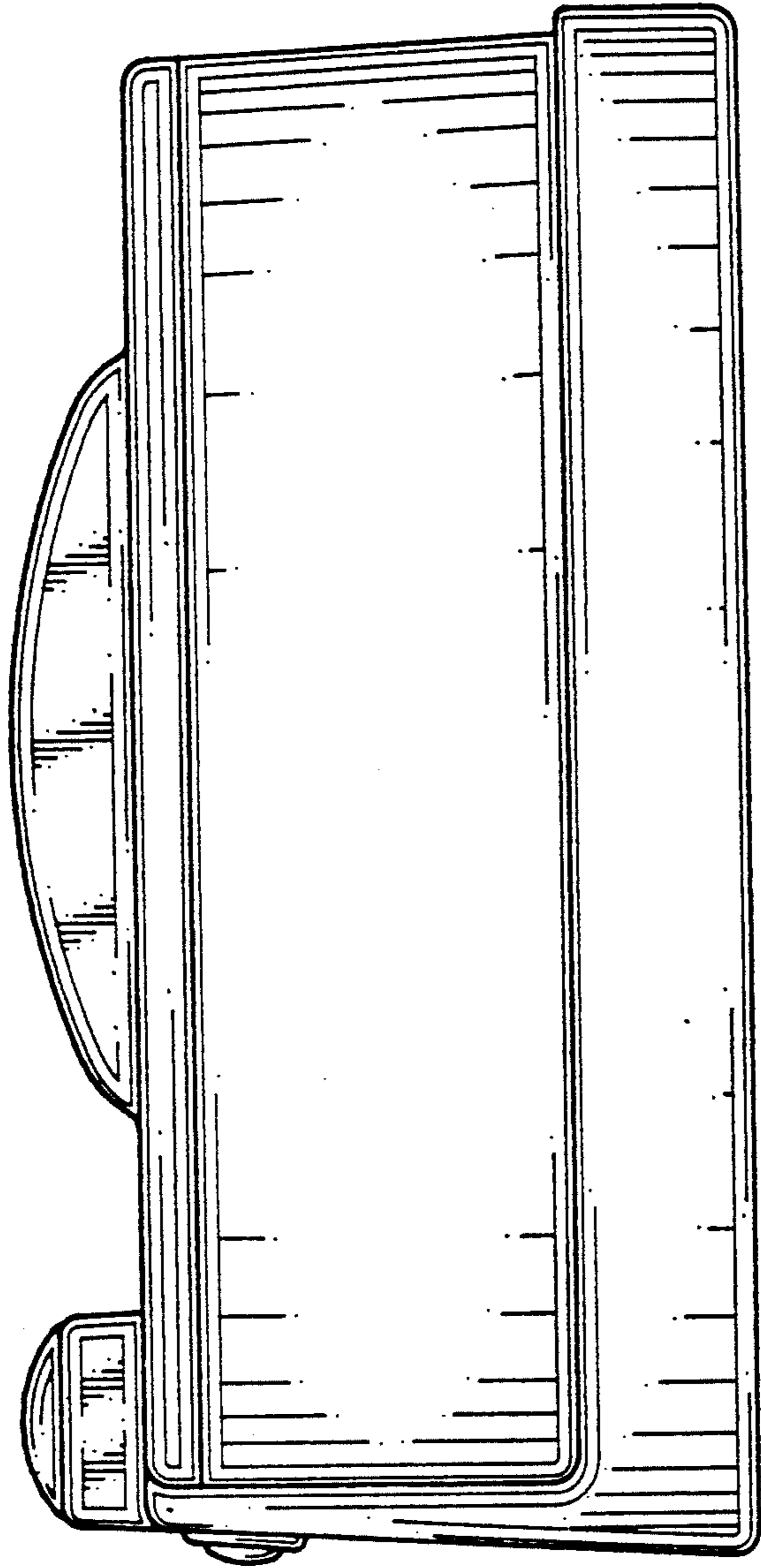


Fig. 6