



US00D346418S

# United States Patent [19] Fischbach

[11] Patent Number: **Des. 346,418**  
[45] Date of Patent: **\*\* Apr. 26, 1994**

[54] **SKATEBOARD**

[76] Inventor: **Rainer W. Fischbach**, 86 Kellogg Hill Rd., Weston, Conn. 06883

[\*\*] Term: **14 Years**

[21] Appl. No.: **746,582**

[22] Filed: **Aug. 19, 1991**

**Related U.S. Application Data**

- [63] Continuation-in-part of Ser. No. 560,558, Jul. 30, 1990, abandoned.
- [52] U.S. Cl. .... **D21/227**
- [58] Field of Search ..... 280/87.042, 87.041, 280/11.2, 11.18, 7.12, 7.14; 446/431; D21/224, 225, 227, 228; D12/6, 11

[56] **References Cited**

**U.S. PATENT DOCUMENTS**

3,288,251	11/1966	Sakwa	.....	280/11.2
4,037,852	7/1977	Bayer	.....	280/87.042
4,099,734	7/1978	Lowery	.....	280/87.042
4,168,076	9/1979	Johnson	.....	280/87.042

**FOREIGN PATENT DOCUMENTS**

2726715 1/1979 Fed. Rep. of Germany ..... 280/87.042

**OTHER PUBLICATIONS**

"Playthings" Feb. 1970 p. 114 #219.  
"Skateboarder" May 6, 1977, p. 9 #1.

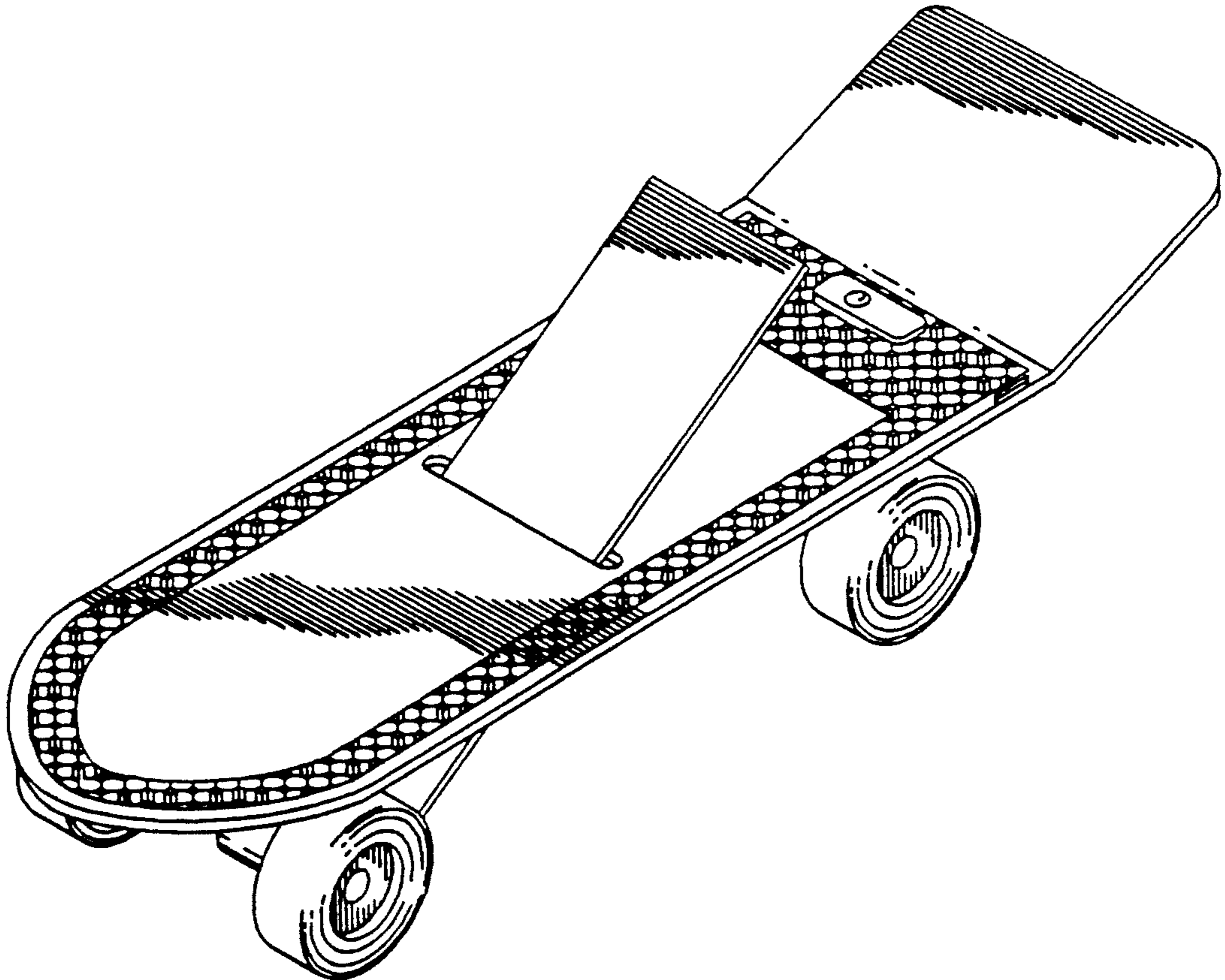
*Primary Examiner*—Bernard Ansher  
*Assistant Examiner*—R. Barkai  
*Attorney, Agent, or Firm*—S. Michael Bender

[57] **CLAIM**

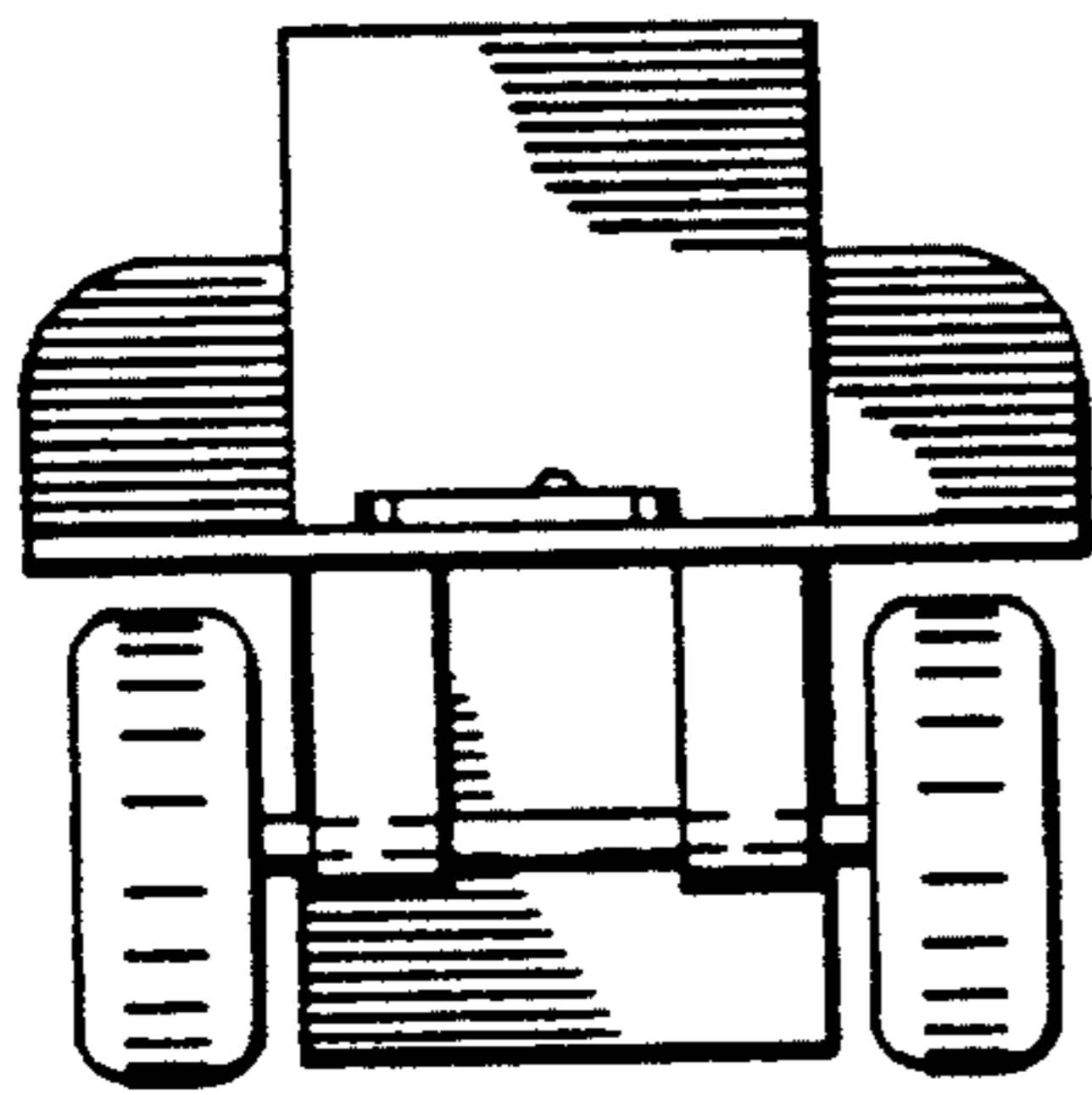
The ornamental design for a skateboard, as shown and described.

**DESCRIPTION**

FIG. 1 is a front elevational view of the skateboard showing my new design;  
FIG. 2 is a rear elevational view thereof;  
FIG. 3 is a left side elevational view thereof;  
FIG. 4 is a right side elevational view thereof;  
FIG. 5 is a top plan view thereof;  
FIG. 6 is a bottom plan view thereof; and,  
FIG. 7 is an isometric view thereof.



*FIG. 1*



*FIG. 2*

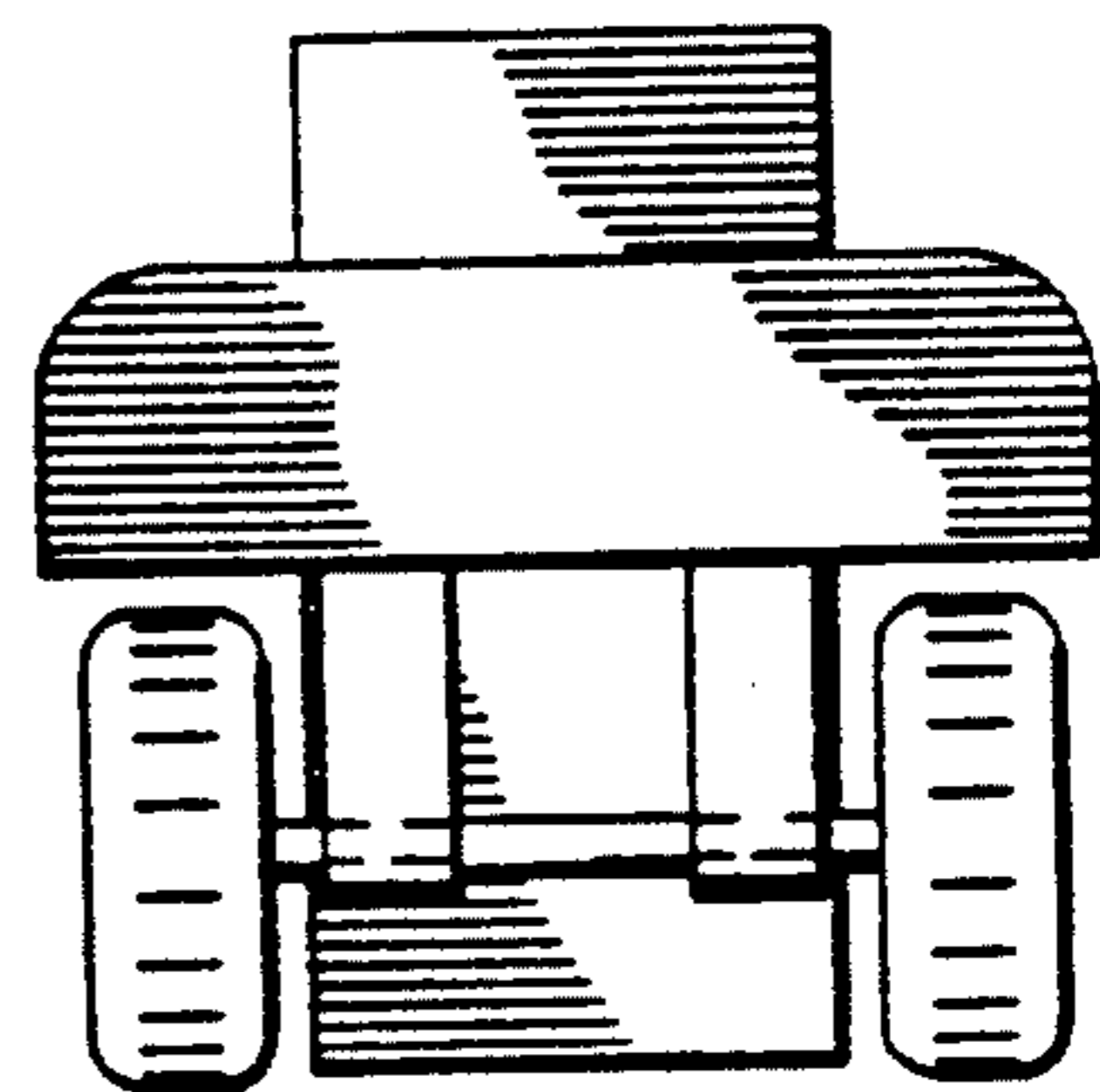


FIG. 3

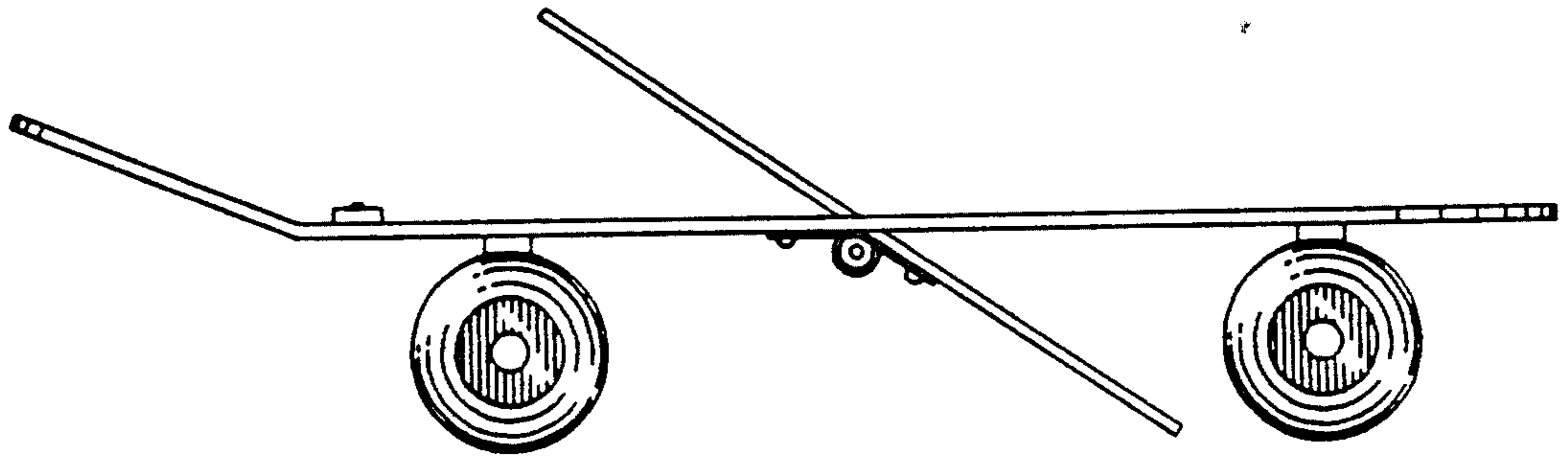


FIG. 4

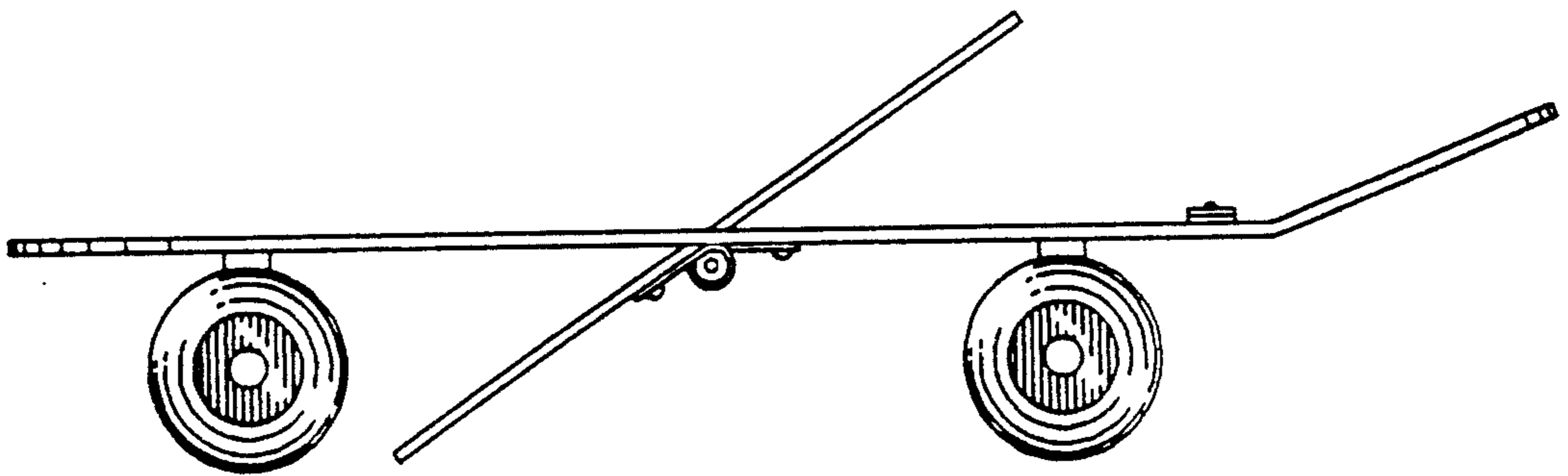


FIG. 5

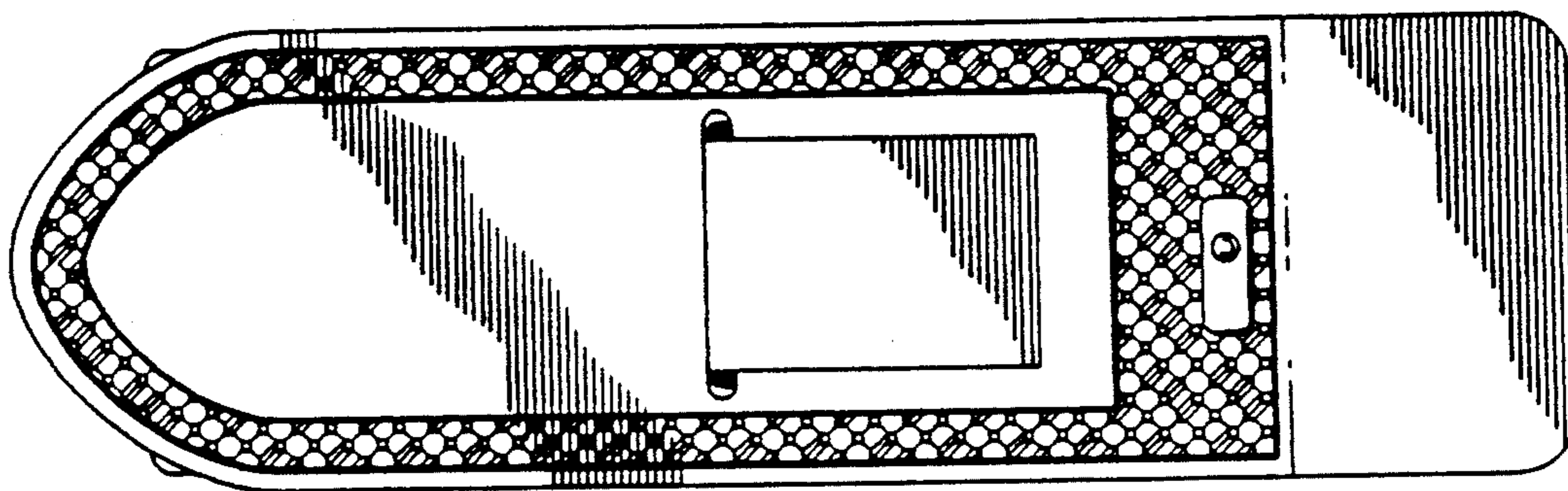


FIG. 6

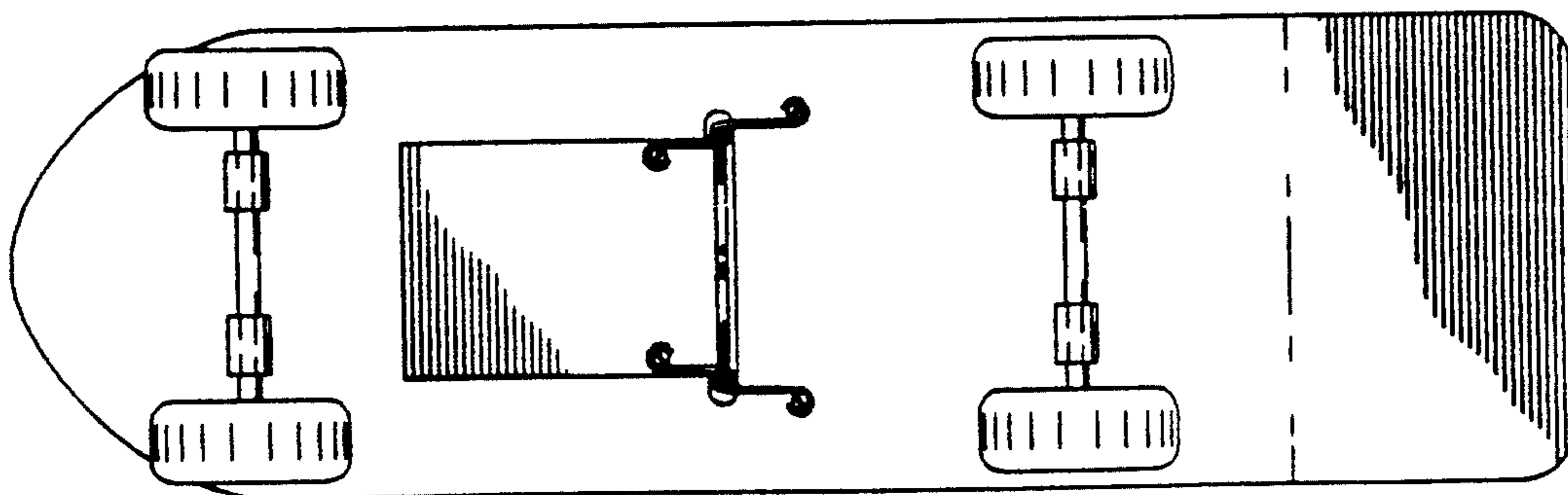


FIG. 7

