



US00D346417S

# United States Patent [19]

[11] Patent Number: **Des. 346,417**

Chen

[45] Date of Patent: **\*\* Apr. 26, 1994**

[54] **ROLLER SKATE BASE PLATE**

5,143,388 9/1992 Chen ..... 280/11.28  
5,180,176 1/1993 Chen ..... 280/11.28

[75] Inventor: **Ting-Hsing Chen, Tainan, Taiwan**

*Primary Examiner*—Bernard Ansher

[73] Assignee: **Far Great Plastics Industrial Co., Ltd., Tainan, Taiwan**

*Assistant Examiner*—R. Barkai

*Attorney, Agent, or Firm*—Morton J. Rosenberg; David I. Klein

[\*\*] Term: **14 Years**

[21] Appl. No.: **889,313**

[57] **CLAIM**

The ornamental design for a roller skate base plate, as shown and described.

[22] Filed: **May 28, 1992**

[52] U.S. Cl. .... **D21/226**

**DESCRIPTION**

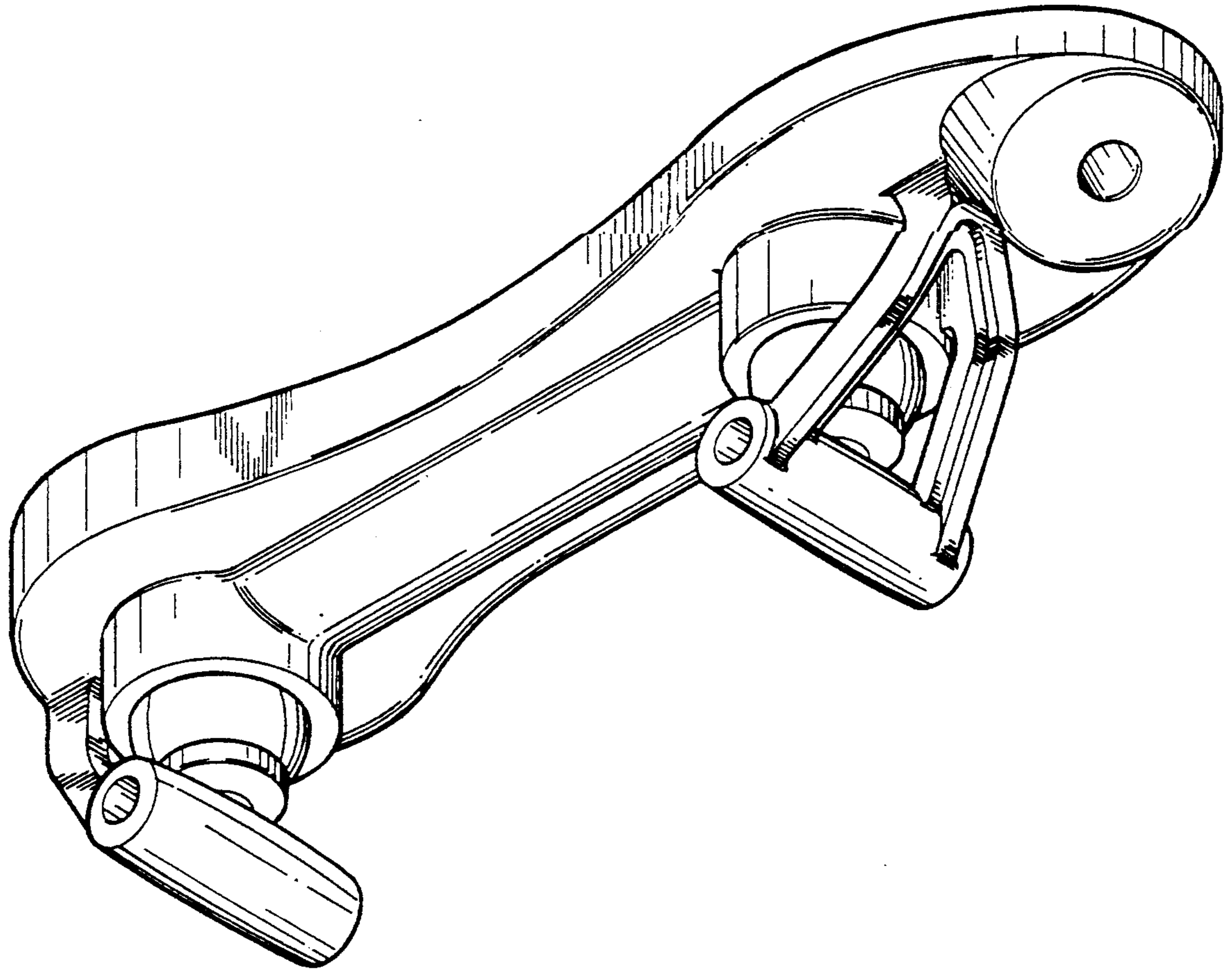
[58] Field of Search ..... D2/275, 904; 280/11.19, 280/11.22, 11.26, 11.27, 11.28, 11.32; 36/115; 301/5.3, 5.7, 54; D21/226

FIG. 1 is a perspective view of a roller skate base plate showing my new design;  
FIG. 2 is a front view thereof;  
FIG. 3 is a rear view thereof;  
FIG. 4 is a right side elevational view thereof;  
FIG. 5 is a left side elevational view thereof;  
FIG. 6 is a top plan view thereof;  
FIG. 7 is a bottom plan view thereof; and,  
FIG. 8 is a right side elevational view thereof, the broken line showing of the skate shoe and wheels is for illustration only and forms no part of the claimed design.

[56] **References Cited**

**U.S. PATENT DOCUMENTS**

D. 121,184	6/1940	Coldwell	.....	D21/226
D. 162,129	2/1951	Coldwell	.....	D21/226
D. 169,263	4/1953	Korba, Jr.	.....	D21/226
D. 261,542	10/1981	Landay	.....	D21/226
D. 265,414	7/1982	Riggs	.....	D21/226
D. 278,925	5/1985	Scheller	.....	D21/226
4,262,918	4/1981	Sandino	.....	280/11.26



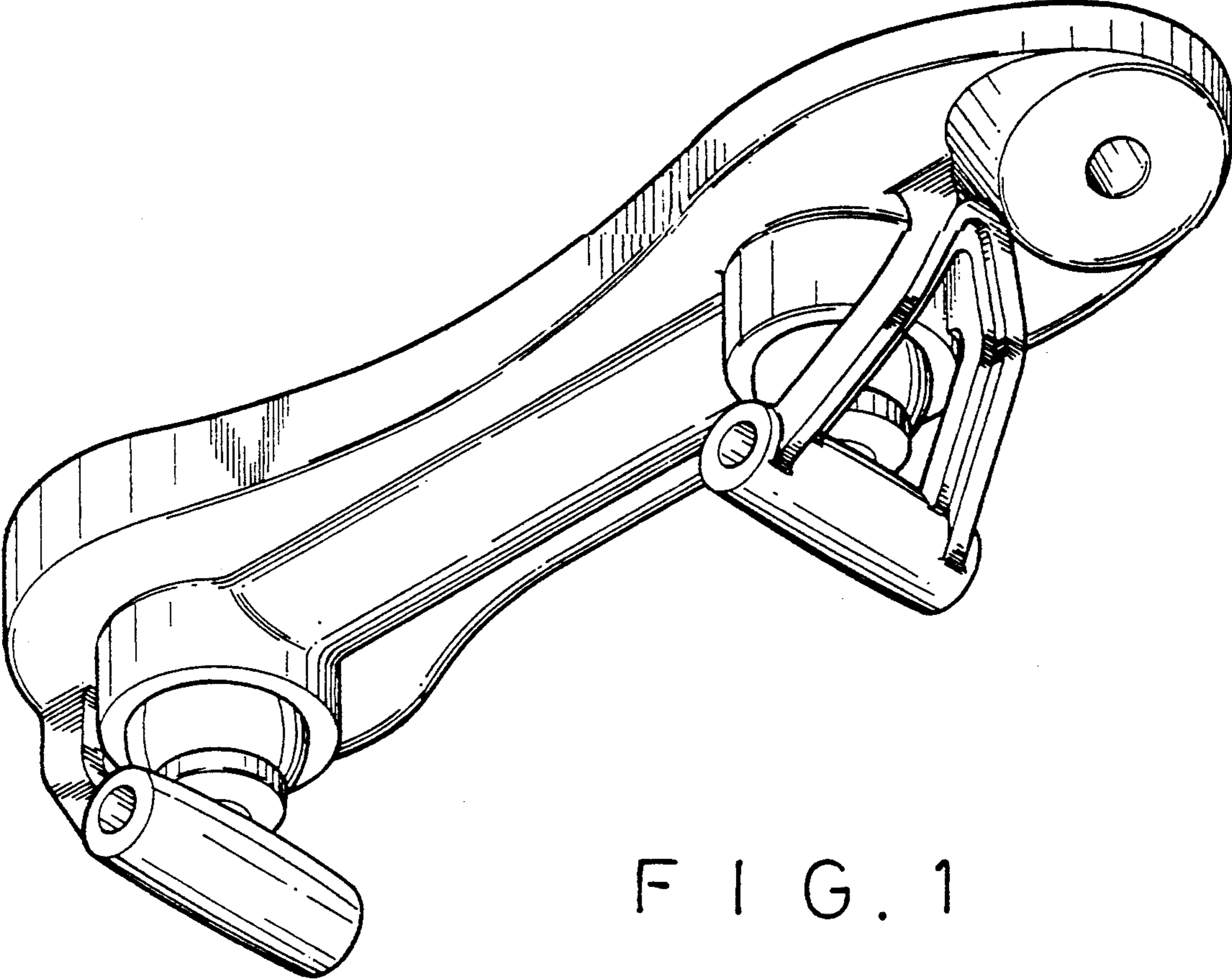


FIG. 1

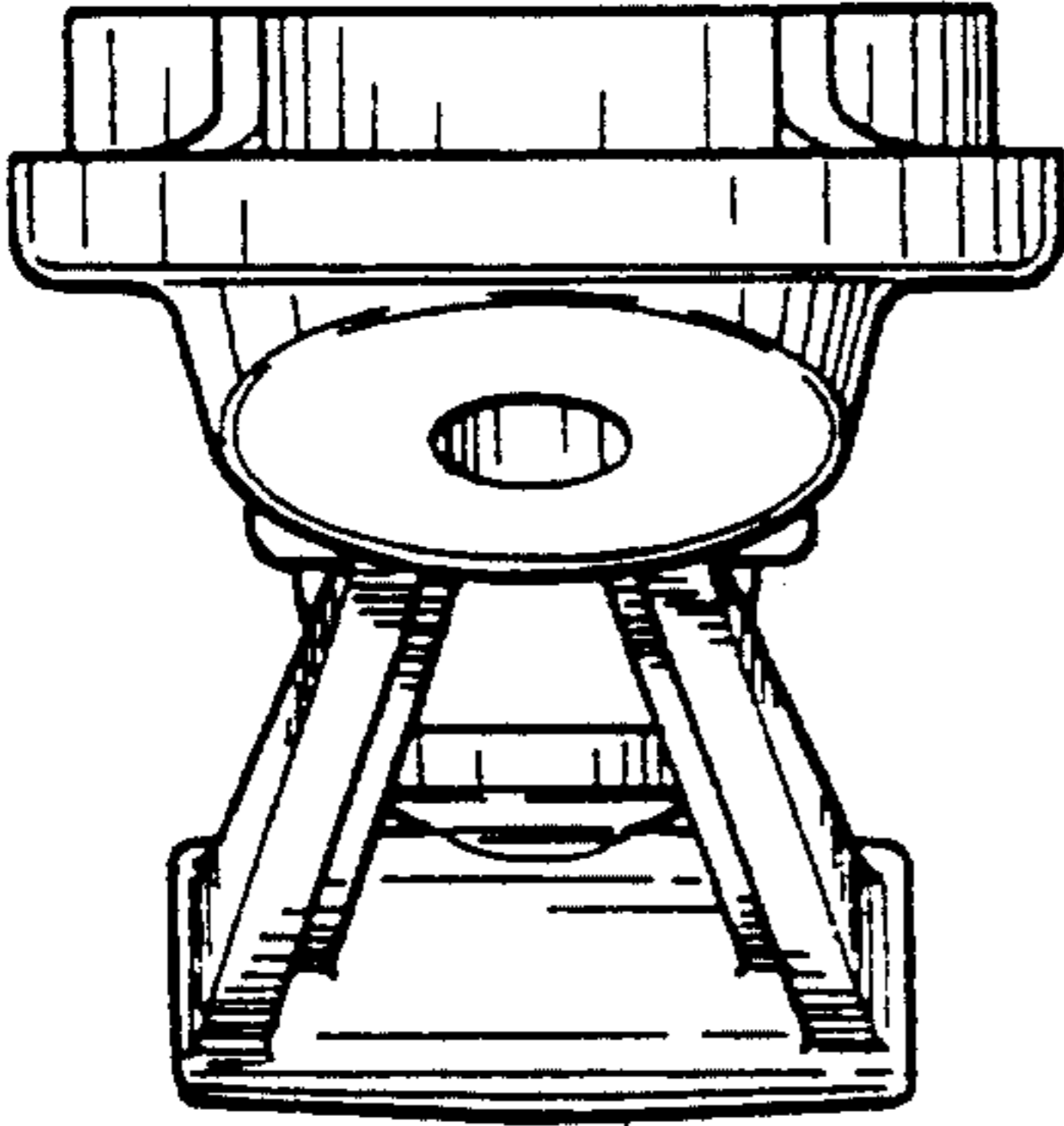


FIG. 2

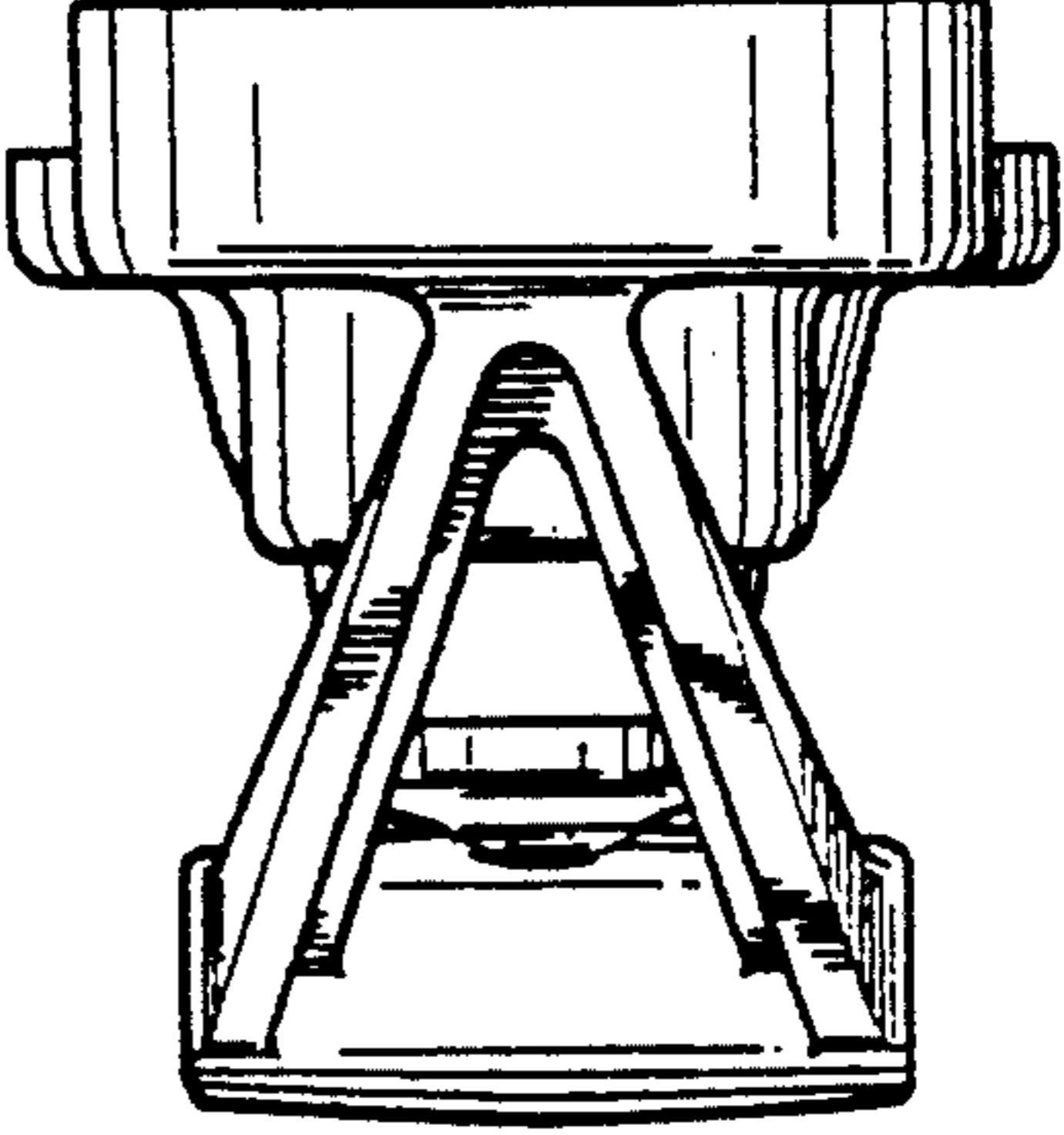


FIG. 3

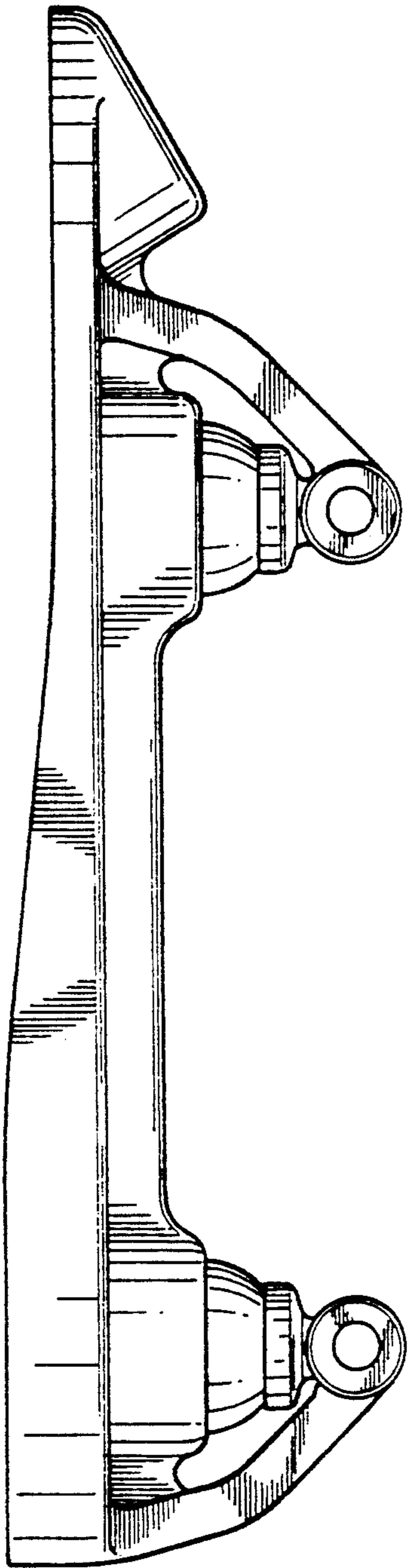


FIG. 4

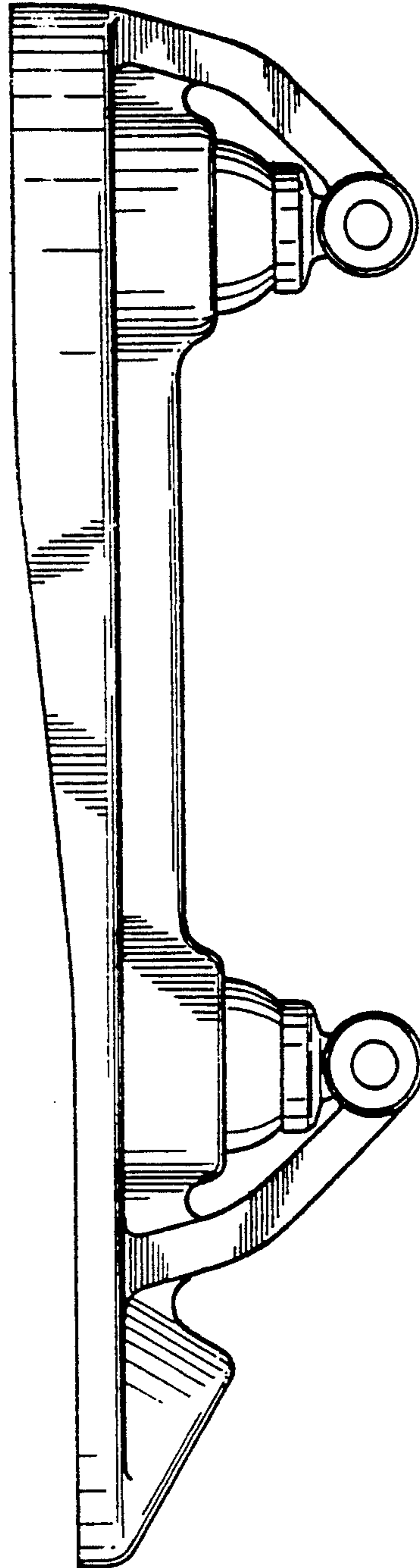


FIG. 5

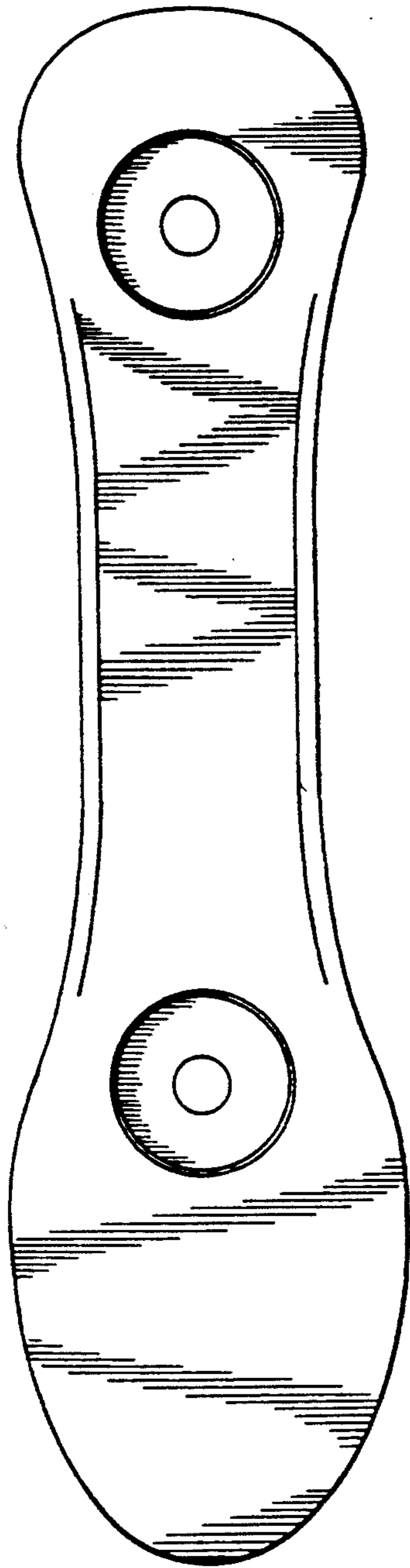


FIG. 6

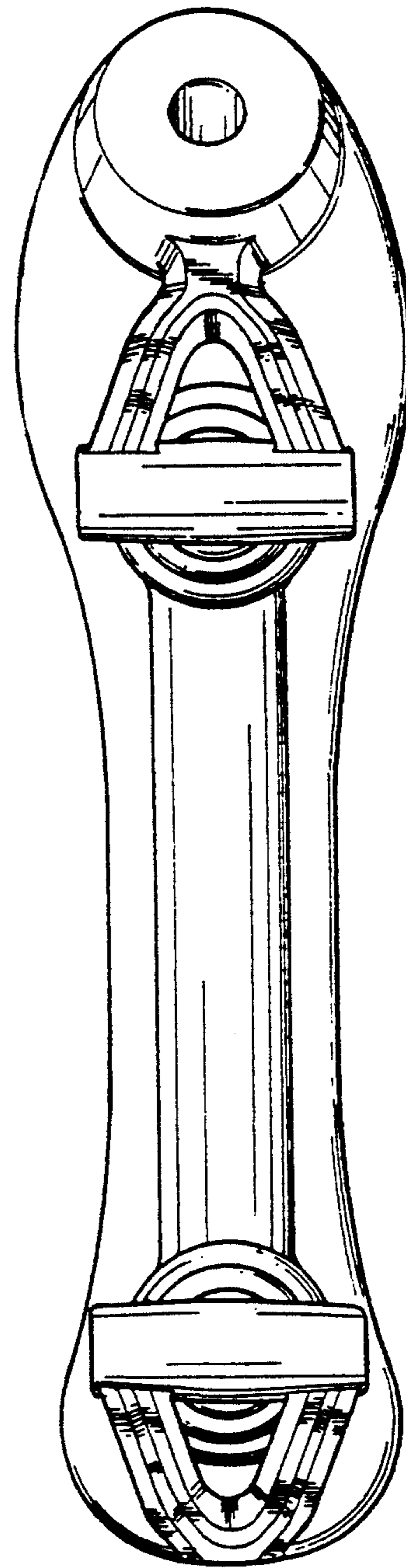
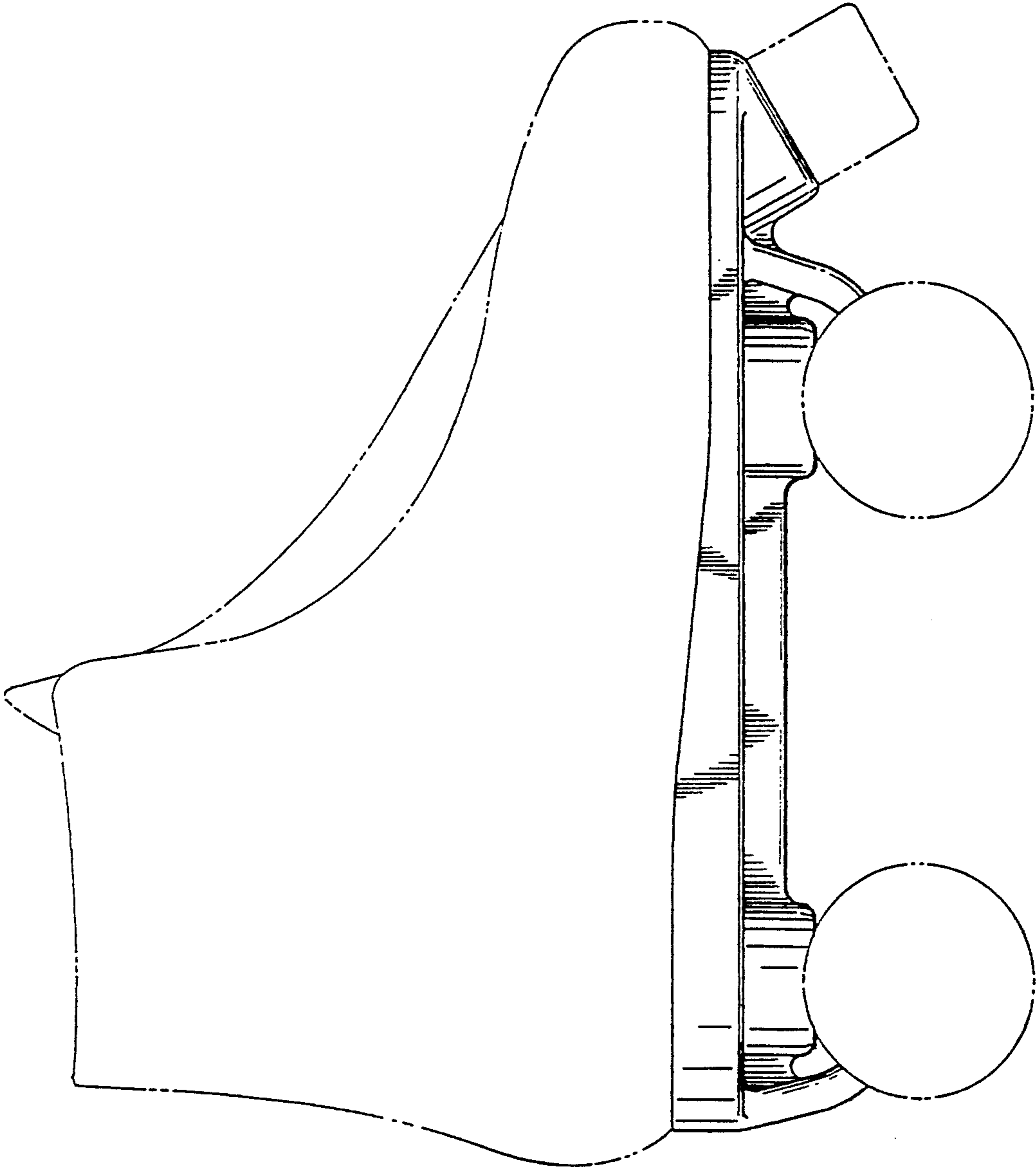


FIG. 7



F I G. 8