



US00D346411S

United States Patent [19]

[11] Patent Number: **Des. 346,411**

Glenn et al.

[45] Date of Patent: **** Apr. 26, 1994**

- [54] **ROCKING BASE FOR A CHILD'S TOY**
- [75] Inventors: **Rose G. Glenn; John P. Glenn**, both of Westminster, Colo.
- [73] Assignee: **Rock 'N' Roll Farm Inc.**, Arvada, Colo.
- [**] Term: **14 Years**
- [21] Appl. No.: **2,108**
- [22] Filed: **Dec. 2, 1992**
- [52] U.S. Cl. **D21/66**
- [58] Field of Search 472/95-105; 446/29, 325, 396; D21/66-70

1,806,035	5/1931	Berns, Jr.	D21/70 X
2,232,958	2/1941	McKenzie	D21/66 X
3,100,364	8/1963	May	472/101 X

Primary Examiner—Bernard Ansher
Assistant Examiner—Dominic Simone
Attorney, Agent, or Firm—Nellie C. Olszanski

[57] CLAIM

The ornamental design for a rocking base for a child's toy, as shown and described.

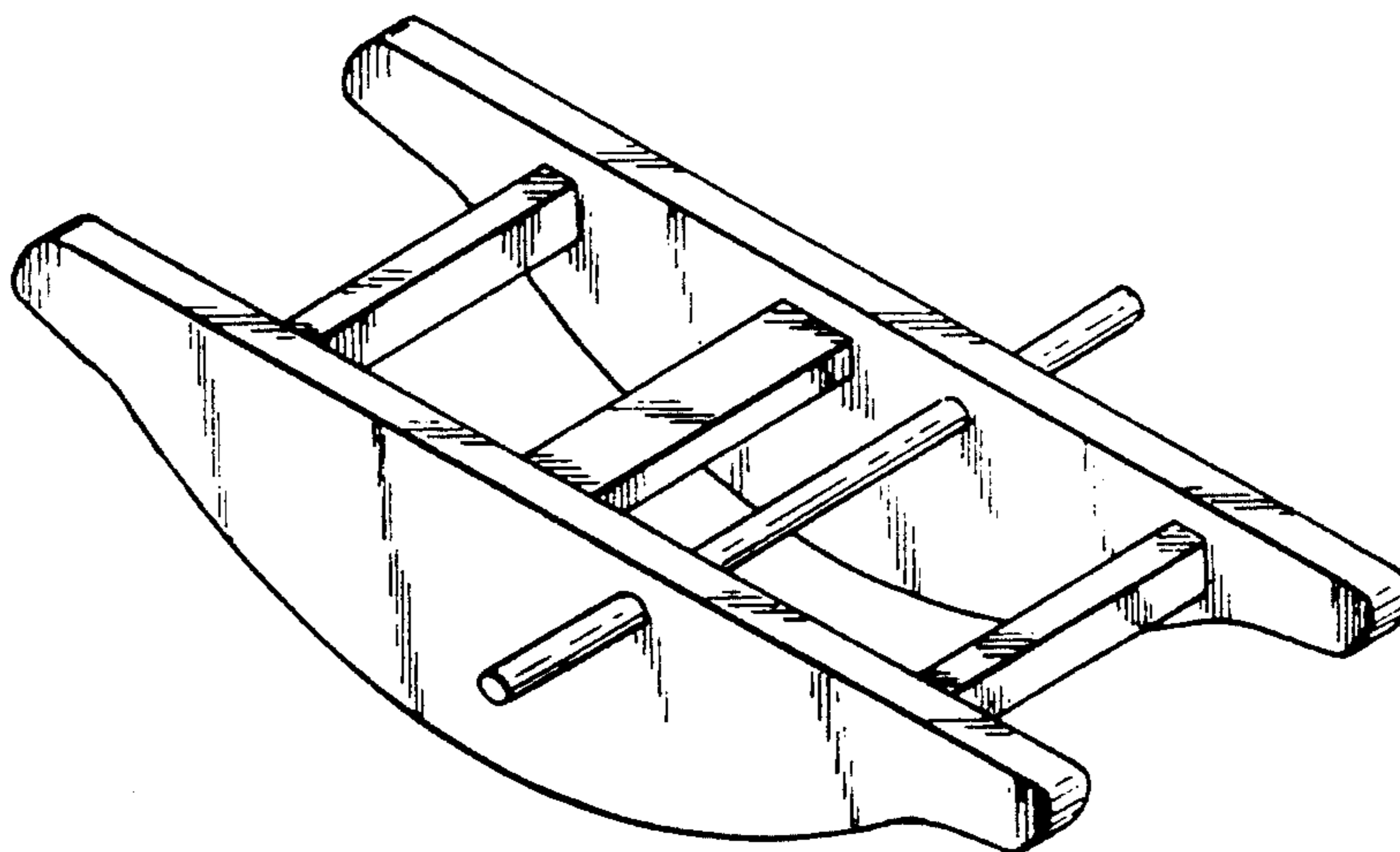
DESCRIPTION

FIG. 1 is a front and side perspective view of a rocking base for a child's toy showing our new design;
 FIG. 2 is a front elevation view thereof, the rear view thereof being a mirror image;
 FIG. 3 is a left side elevation view thereof, the right side elevation view thereof being a mirror image;
 FIG. 4 is a top plan view thereof; and,
 FIG. 5 is a bottom plan view thereof.

[56] References Cited

U.S. PATENT DOCUMENTS

D. 95,921	6/1935	Nyland	D21/70
D. 142,512	10/1945	Cronk	D21/68
D. 143,640	1/1946	Benson et al.	D21/70



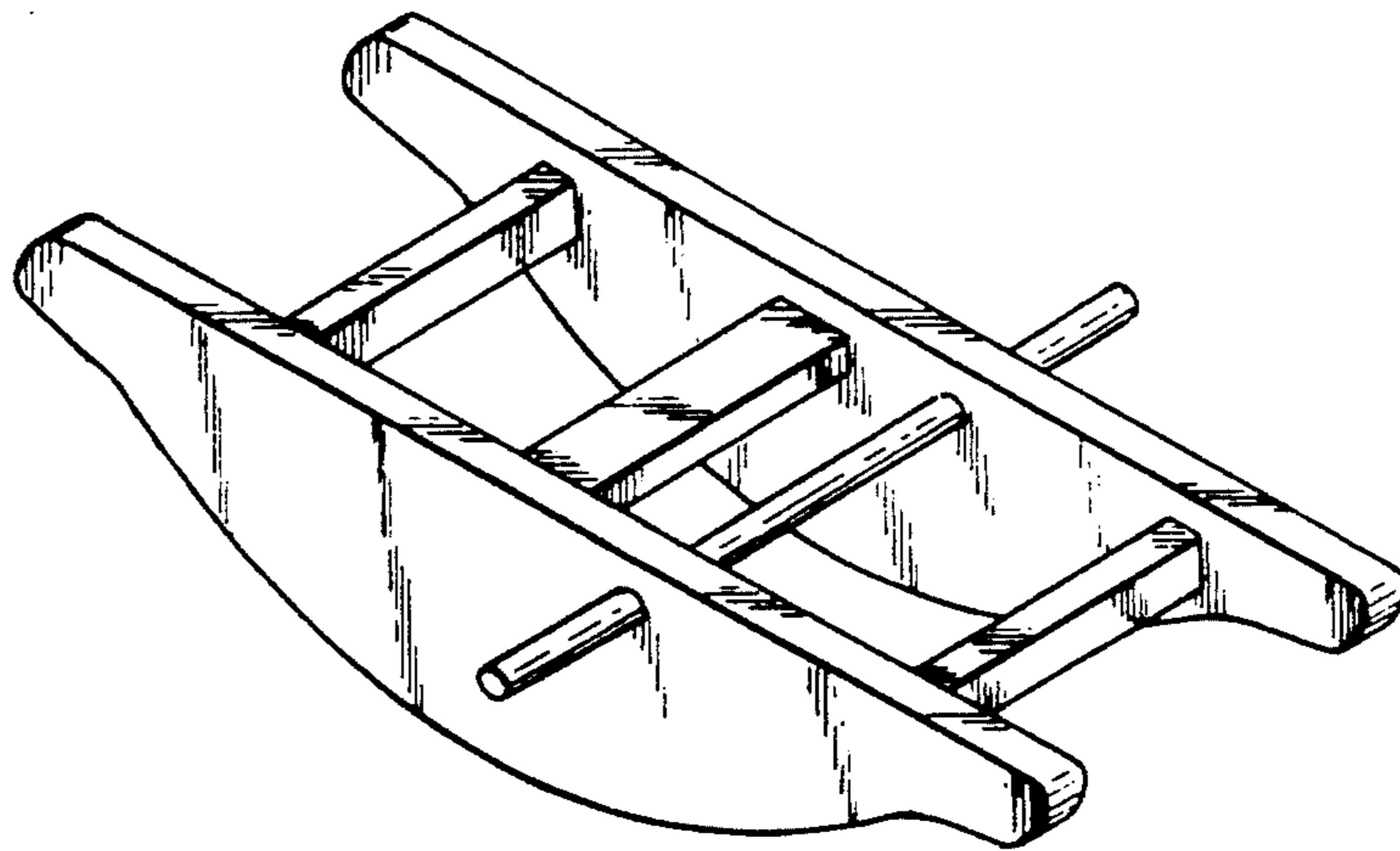


Fig. 1

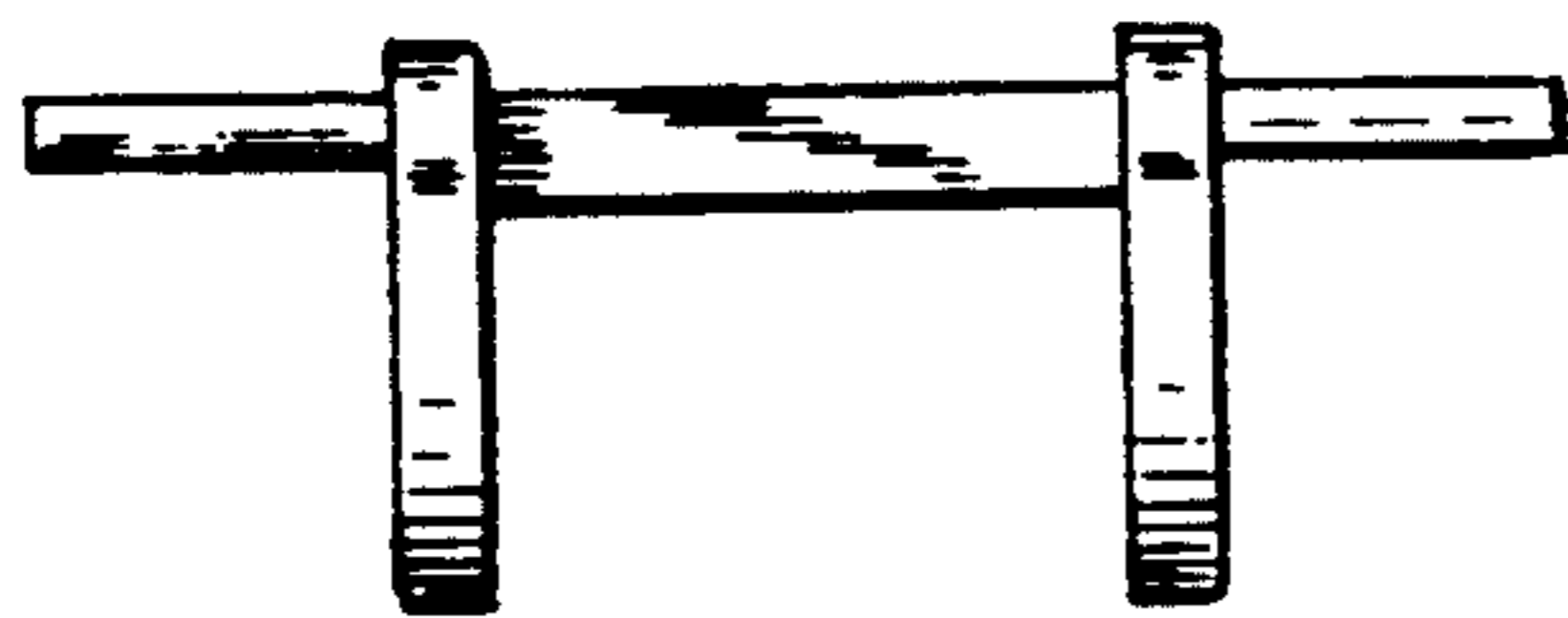


Fig. 2

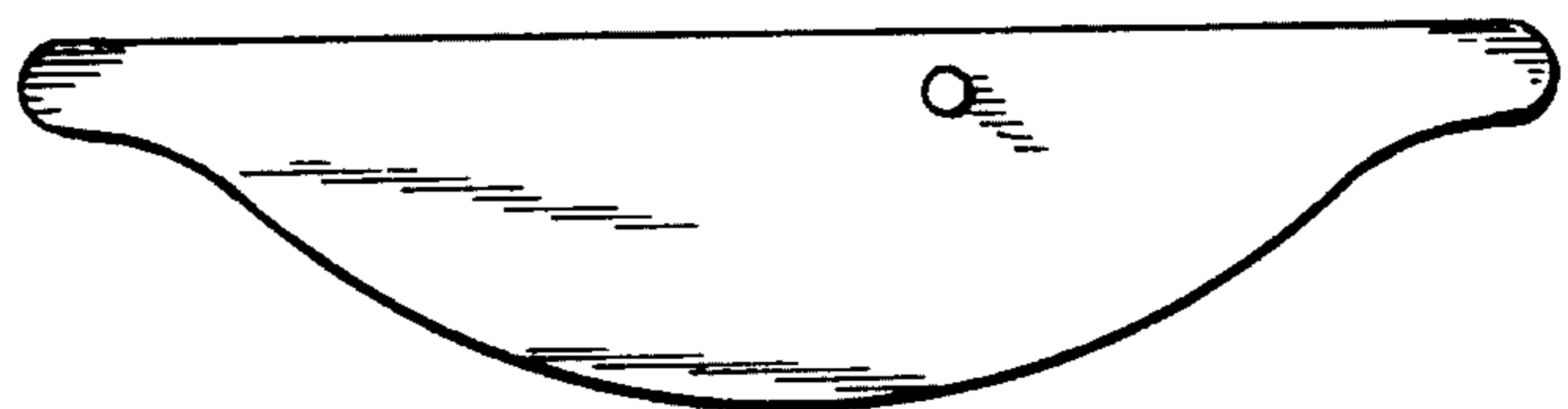


Fig. 3

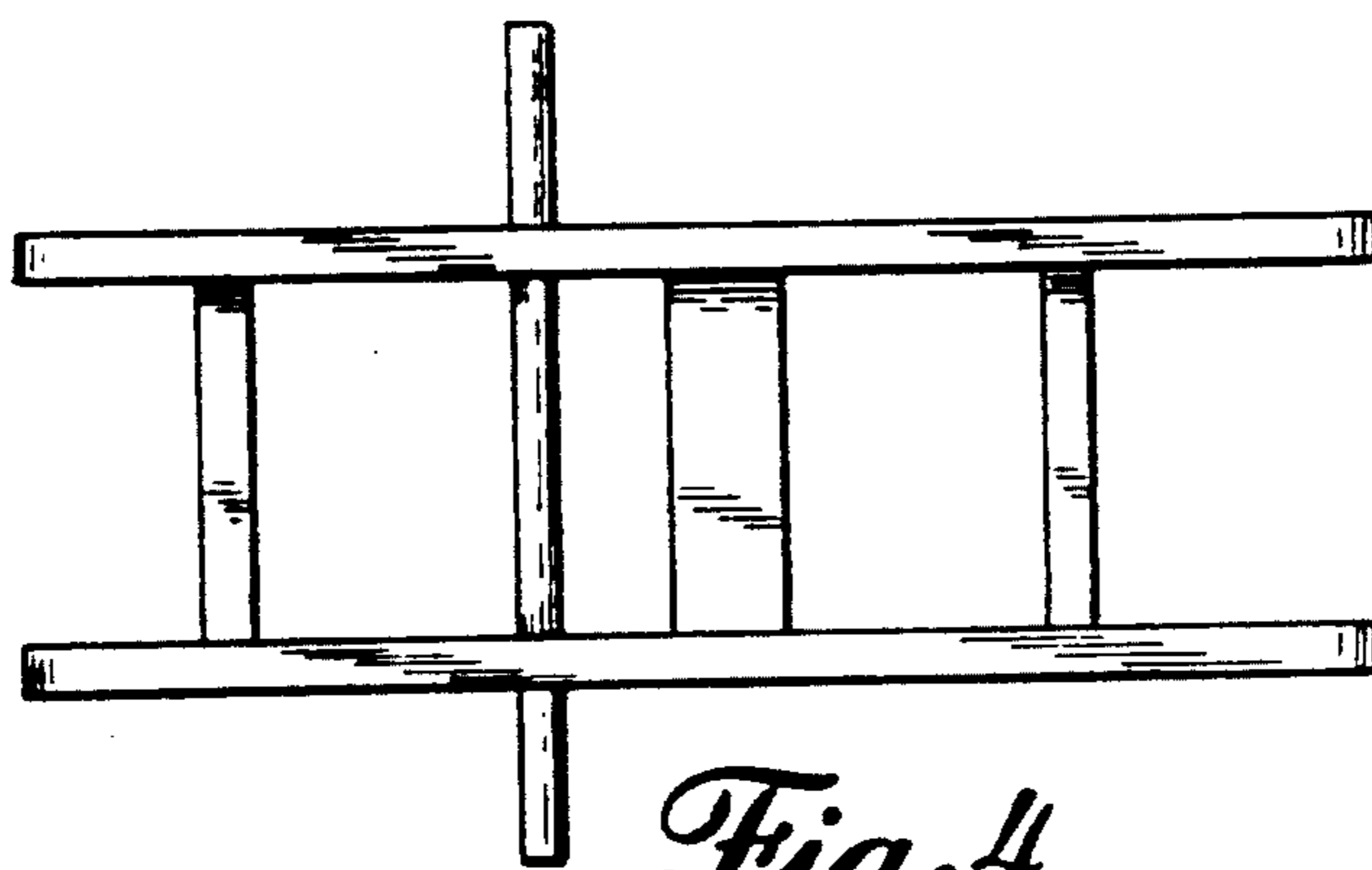


Fig. 4

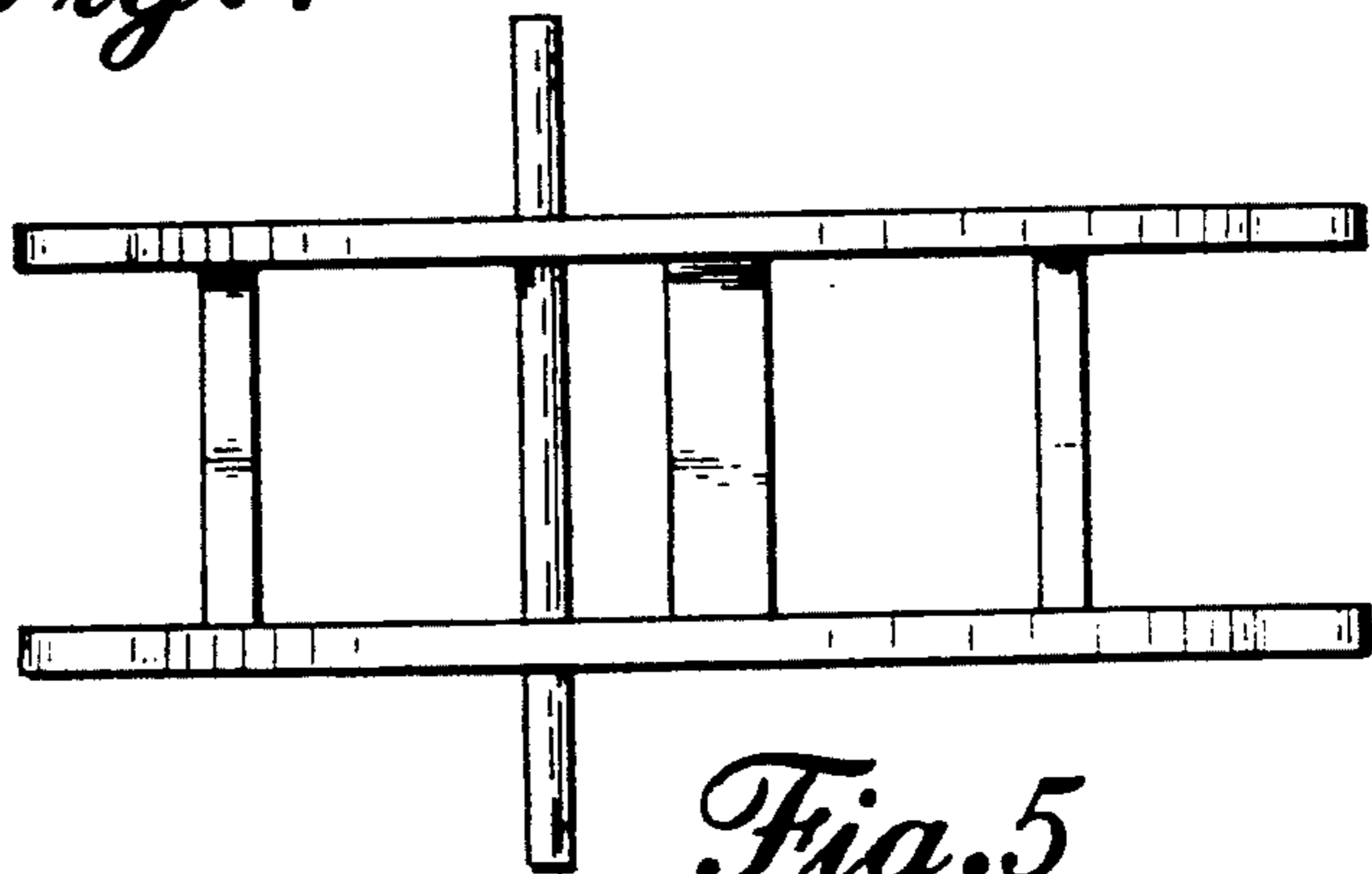


Fig. 5