



US00D346410S

United States Patent [19]

[11] Patent Number: Des. 346,410

Adell

[45] Date of Patent: ** Apr. 26, 1994

[54] COMBINED COASTER AND DUAL TRAP LOTTERY PICKER

FOREIGN PATENT DOCUMENTS

[76] Inventor: Robert Adell, 31800 S. Brandingham, Franklin, Mich. 48025

2255926 5/1974 Fed. Rep. of Germany ... 273/144 B
2553153 7/1976 Fed. Rep. of Germany ... 273/144 B

[**] Term: 14 Years

Primary Examiner—Terry A. Wallace
Attorney, Agent, or Firm—Alex Rhodes

[21] Appl. No.: 14,246

[57] CLAIM

[22] Filed: Oct. 18, 1993

The ornamental design for a combined coaster and dual trap lottery picker, as shown and described.

[52] U.S. Cl. D21/37; D7/624

DESCRIPTION

[58] Field of Search D7/624-625;
215/100.5; 248/346.1; 273/138 R, 138 A, 144
B, 145 C, 145 CA; D21/37, 39, 17, 20

FIG. 1 is a perspective view showing the top and front of a combined coaster and dual trap lottery picker, showing my new design;

[56] References Cited

U.S. PATENT DOCUMENTS

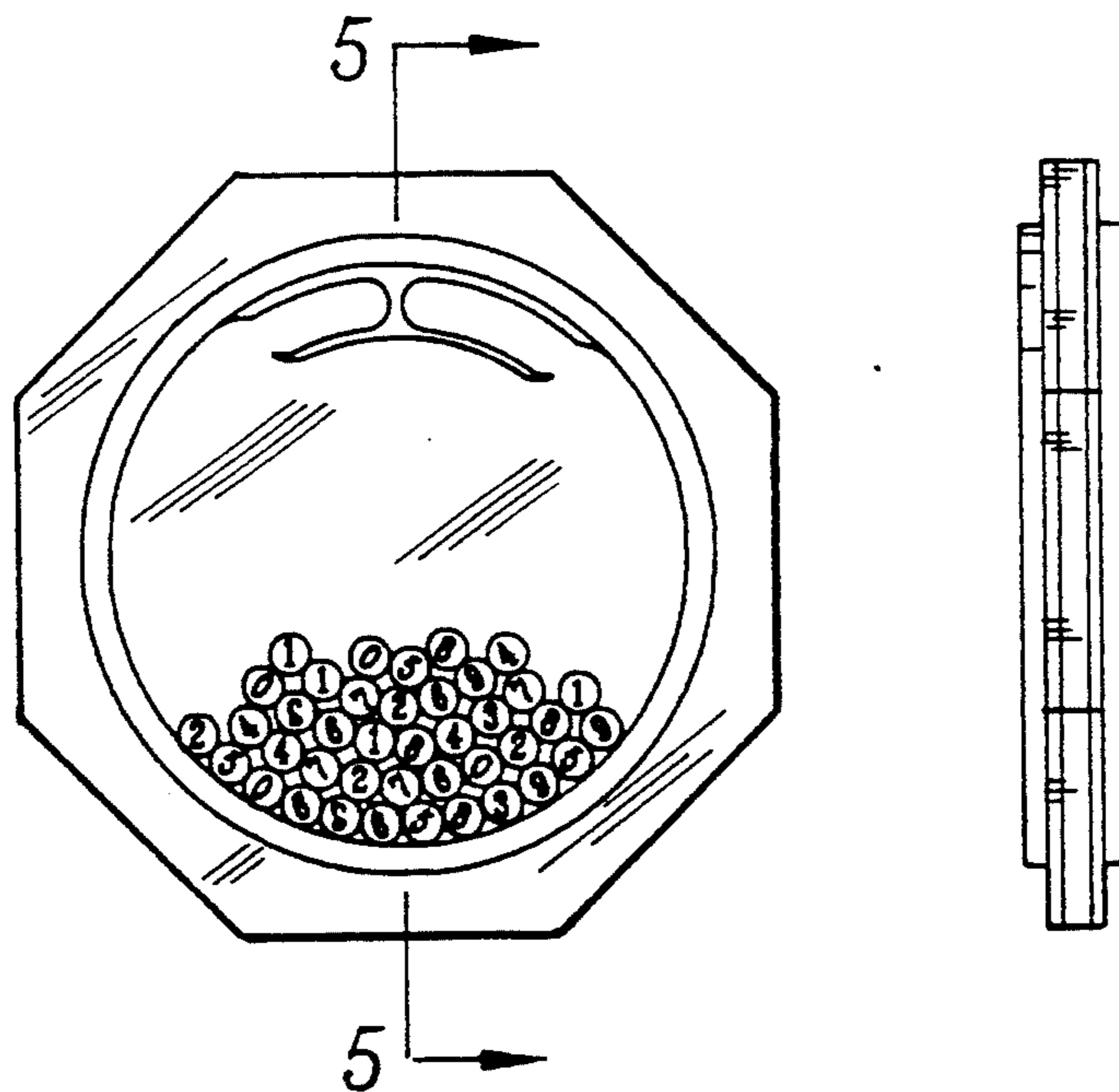
FIG. 2 is a top plan view thereof;

FIG. 3 is a right side view, the left side view being symmetrically opposite the right side view;

FIG. 4 is a bottom plan view thereof; and,

FIG. 5 is a cross sectional view taken on the line 5—5 of FIG. 2.

D. 339,829 9/1993 Adell D7/624 X
4,858,873 8/1989 Wilmoth et al. 248/346.1
5,000,413 3/1991 Kawashima 248/346.1



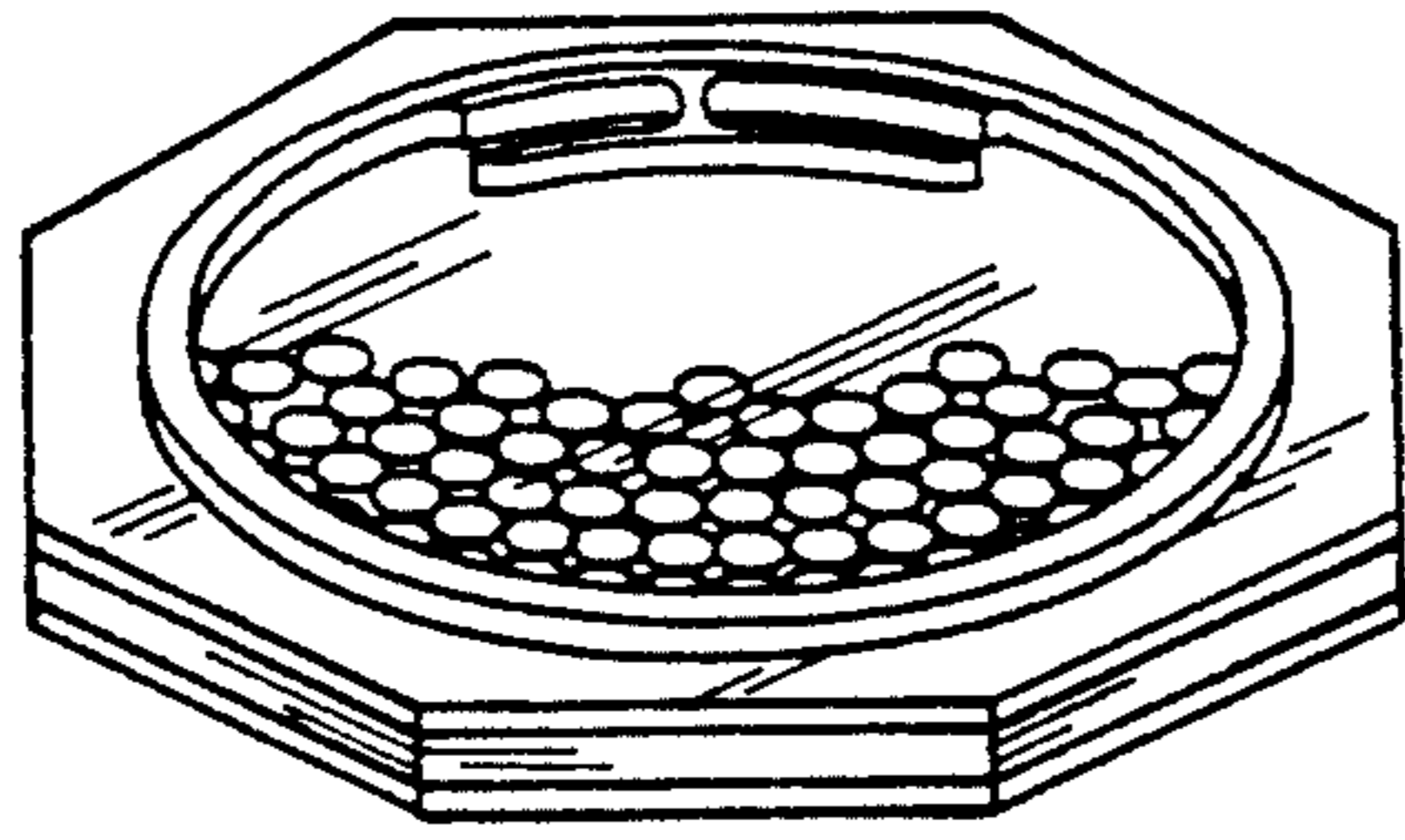


FIG. 1



FIG. 3

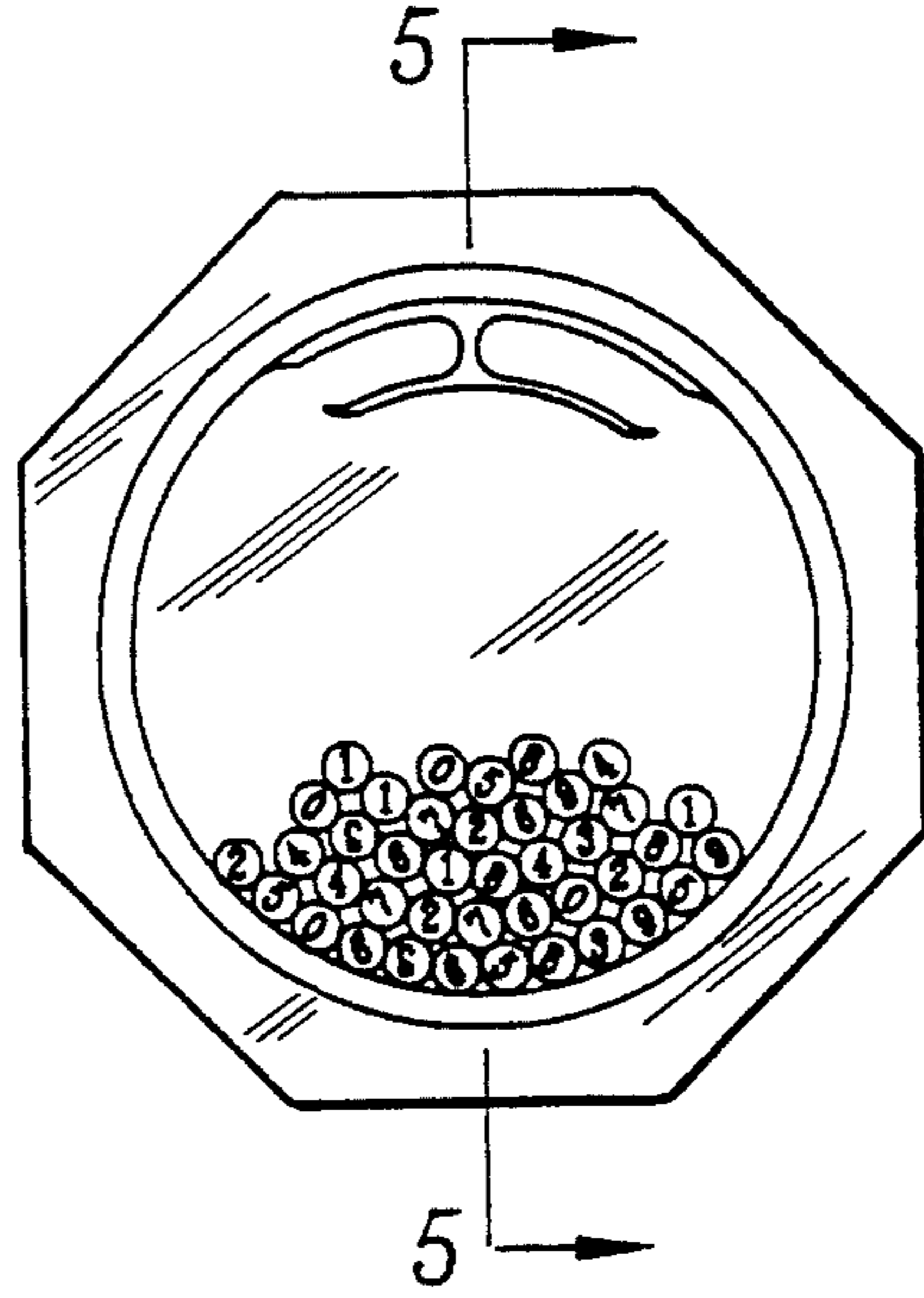


FIG. 2



FIG. 5

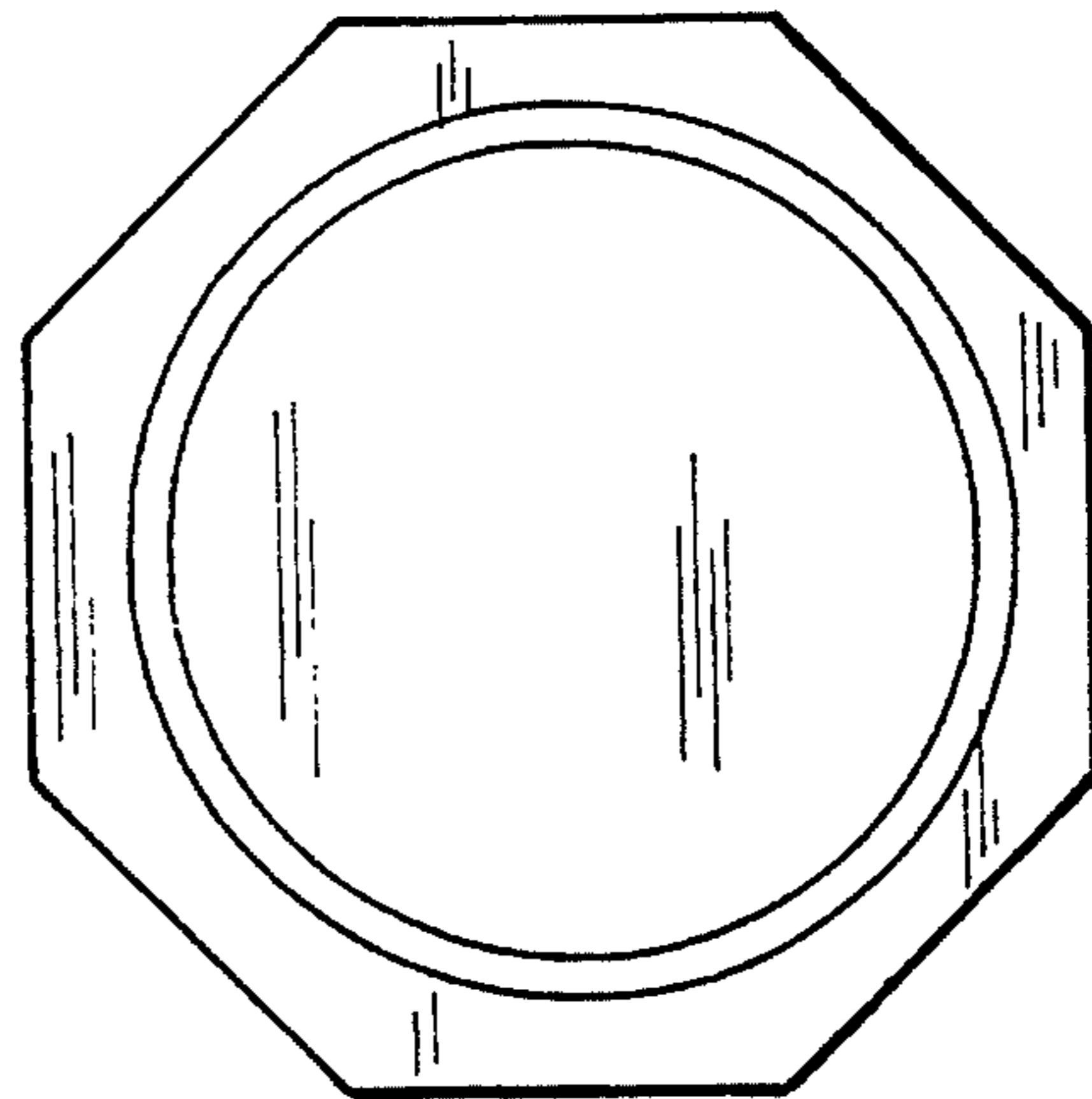


FIG. 4