



US00D346404S

United States Patent [19] Ros

[11] Patent Number: **Des. 346,404**

[45] Date of Patent: **** Apr. 26, 1994**

[54] FILING CASE

[75] Inventor: **Johannes F. Ros, Paris, France**

[73] Assignee: **Office Data Europe B.V.,
Netherlands**

[**] Term: **14 Years**

[21] Appl. No.: **685,558**

[22] Filed: **Apr. 15, 1991**

[30] Foreign Application Priority Data

Oct. 15, 1990 [IB] Int'l Pat. Institute DM/017848
[52] U.S. Cl. **D19/75; D3/282;**

D3/900; D19/27; D19/86

[58] Field of Search **D3/73; 206/425, 444;**
402/3, 80 P, 80 R, 35; D19/65, 26, 27, 32, 75,
86, 90, 91, 95, 100

[56] References Cited

U.S. PATENT DOCUMENTS

- D. 232,231 7/1974 Butter D3/73
- D. 232,597 8/1974 Sias D3/73 X
- D. 257,191 10/1980 Wilcox D3/73
- D. 260,454 9/1981 Pepicelli, Jr. et al. D3/35
- 4,518,275 5/1985 Rauch, III et al. 402/80 P
- 5,069,567 12/1991 Fink et al. 402/3
- 5,076,722 12/1991 Rohner 402/80 R X

FOREIGN PATENT DOCUMENTS

- 8602134.6 4/1986 Fed. Rep. of Germany .
- 8816164 9/1989 Fed. Rep. of Germany .
- 2609940 1/1989 France .

OTHER PUBLICATIONS

The Modern Storage System, Datox Organisation (pub-
lication date unknown).

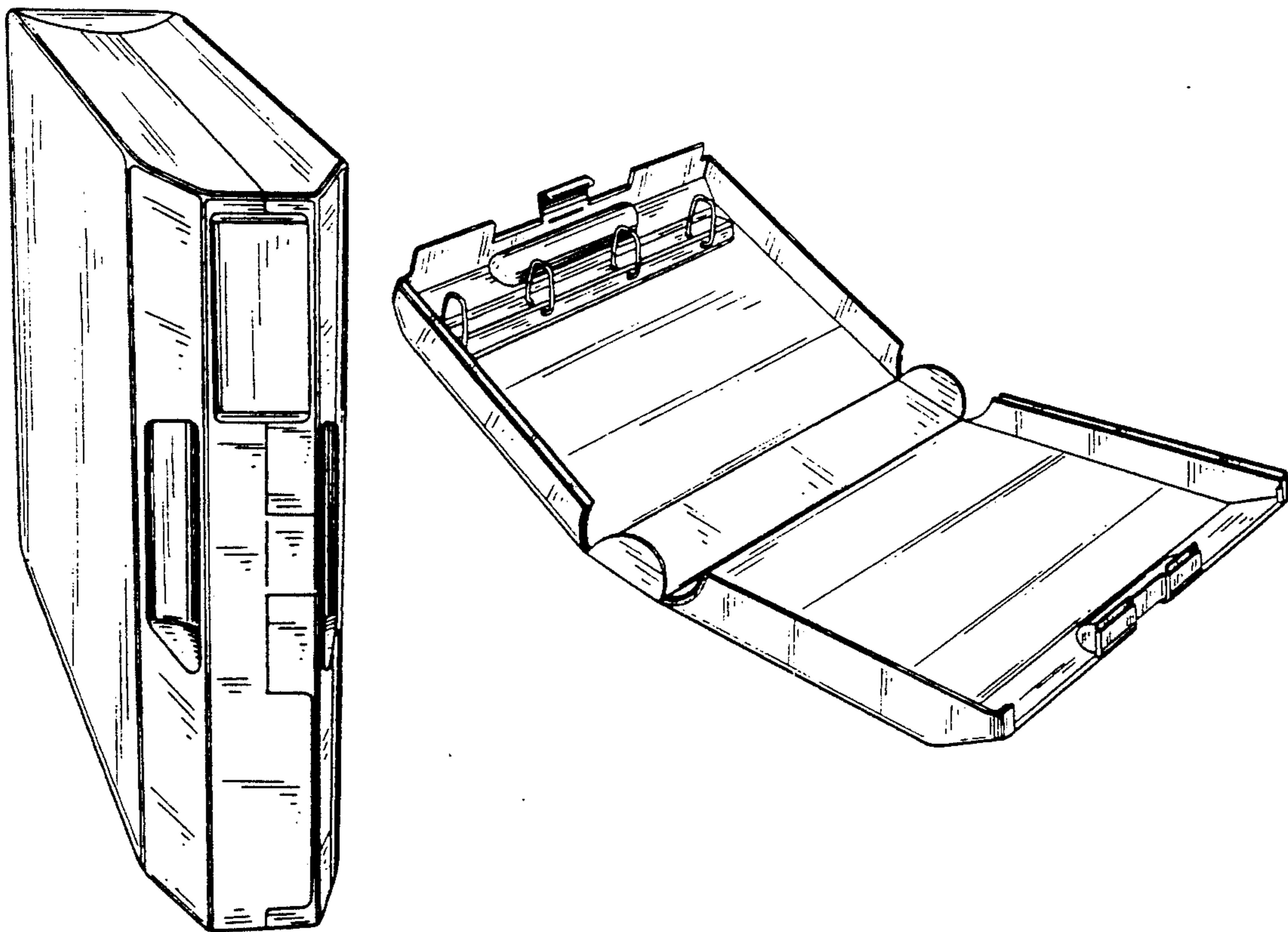
Primary Examiner—Nelson C. Holtje
Assistant Examiner—Martie Thompson
Attorney, Agent, or Firm—Ostrolenk, Faber, Gerb &
Soffen

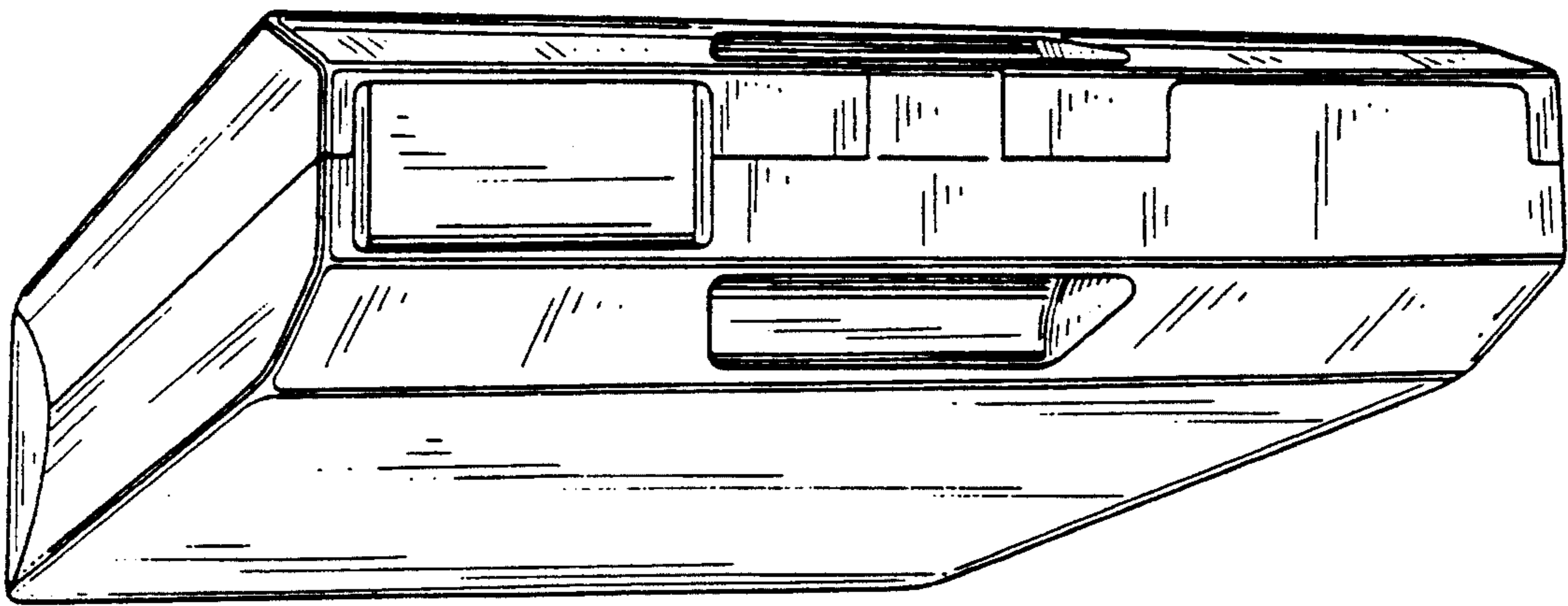
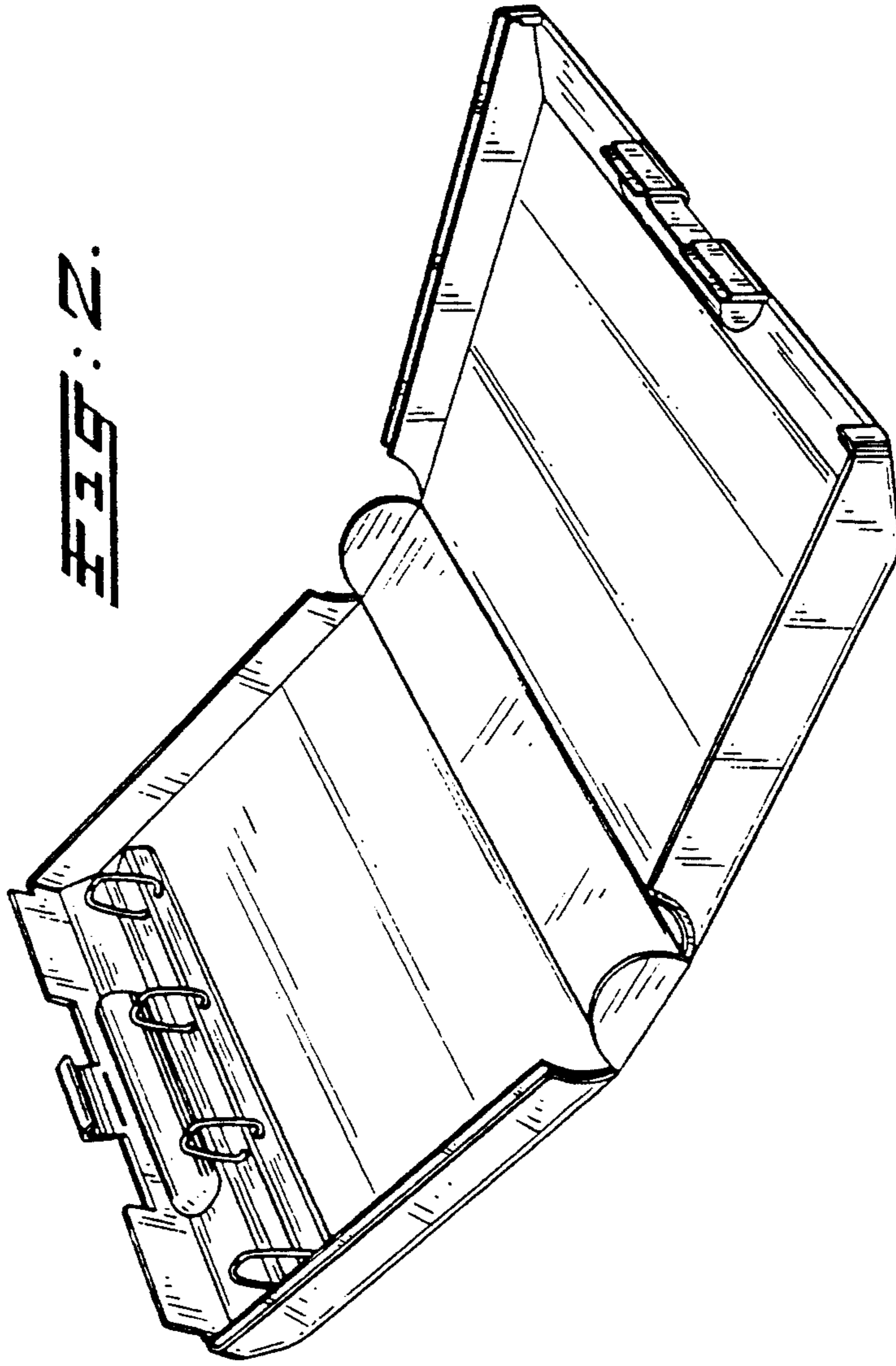
[57] CLAIM

The ornamental design for a filing case, as shown and
described.

DESCRIPTION

FIG. 1 is a perspective view of a filing case showing my
new design;
FIG. 2 is a perspective view in a partially opened condi-
tion;
FIG. 3 is a side elevational view;
FIG. 4 is an end elevational view, the opposite end
being identical thereto;
FIG. 5 is a bottom plan view;
FIG. 6 is a top plan view;
FIG. 7 is a side elevational view of the side opposite
that shown in FIG. 3; and,
FIG. 8 is a bottom perspective view thereof.





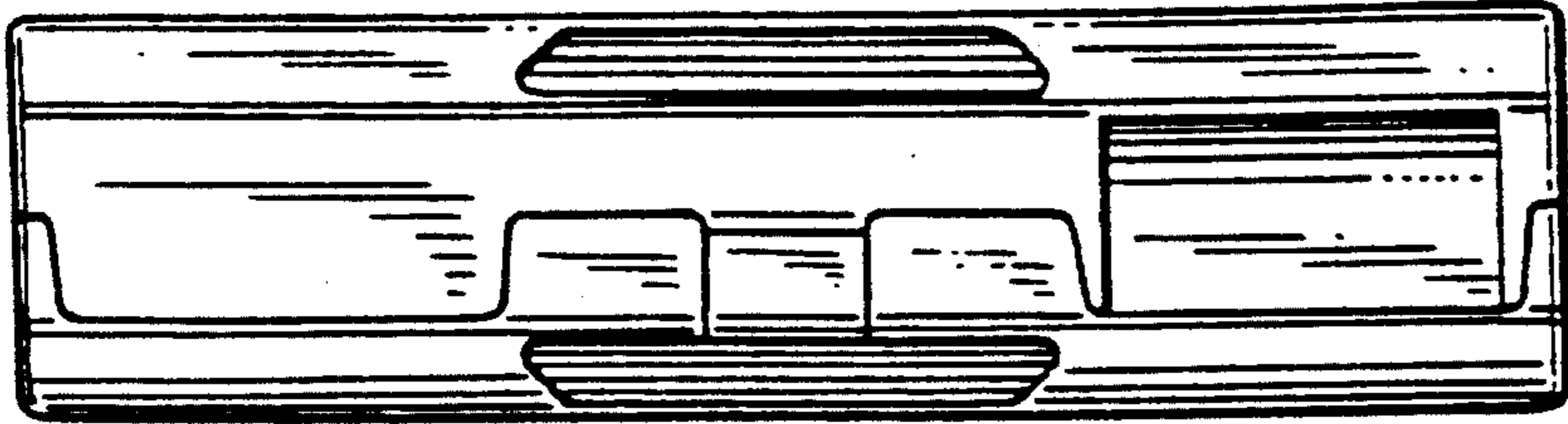


FIG. 6.

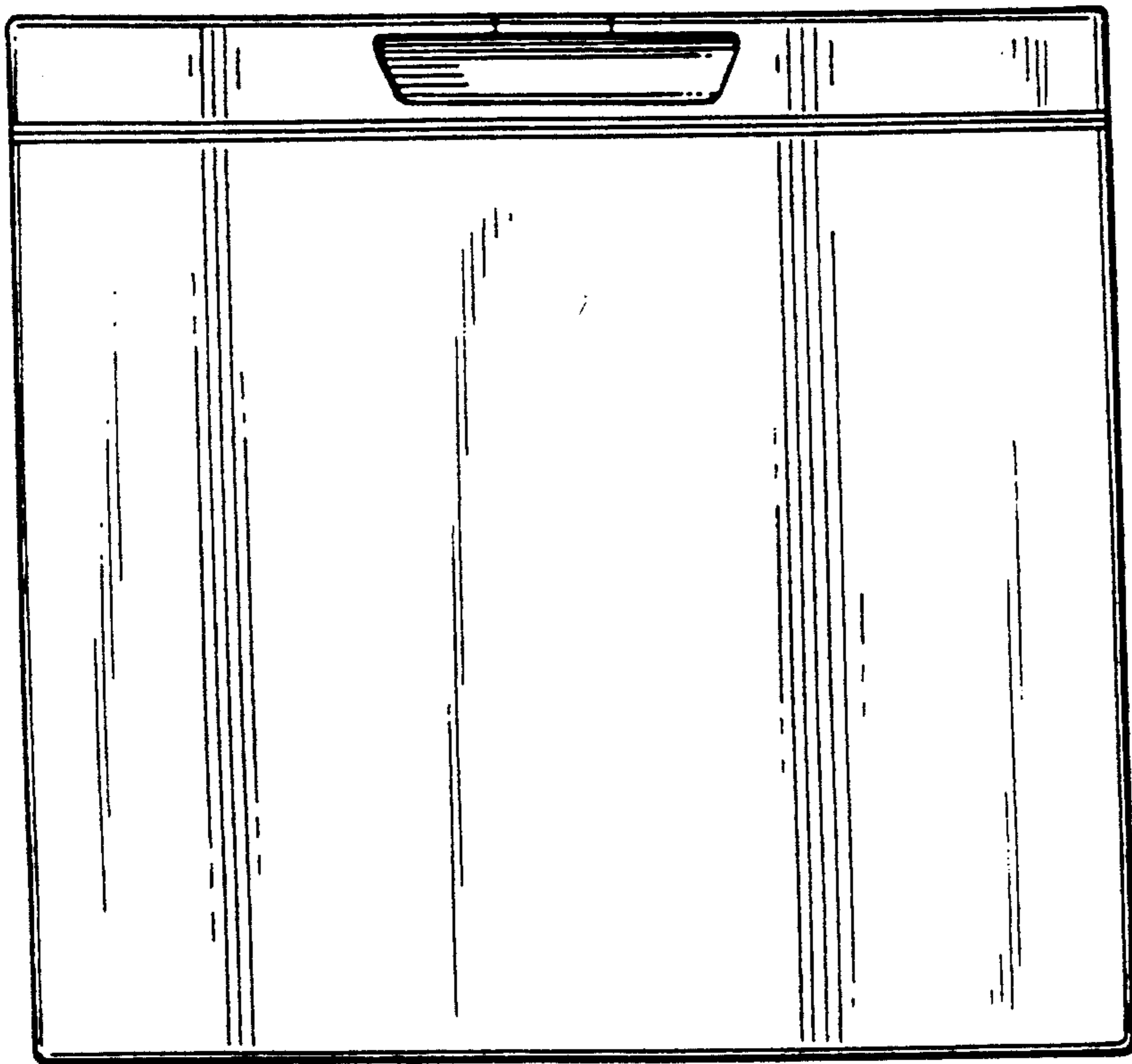


FIG. 3.

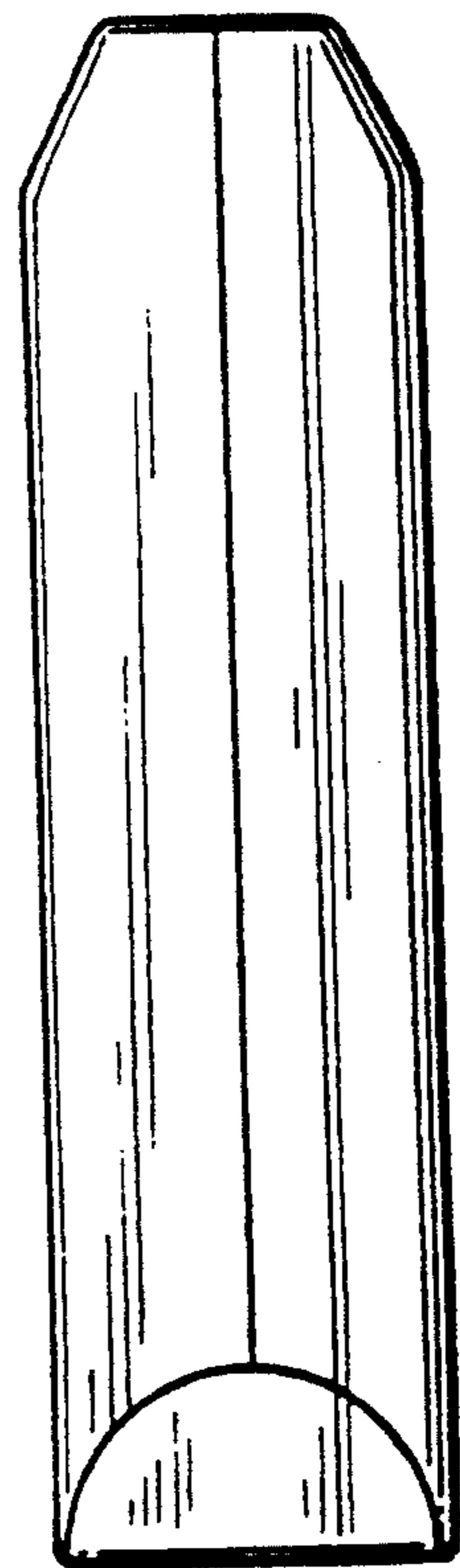


FIG. 4.

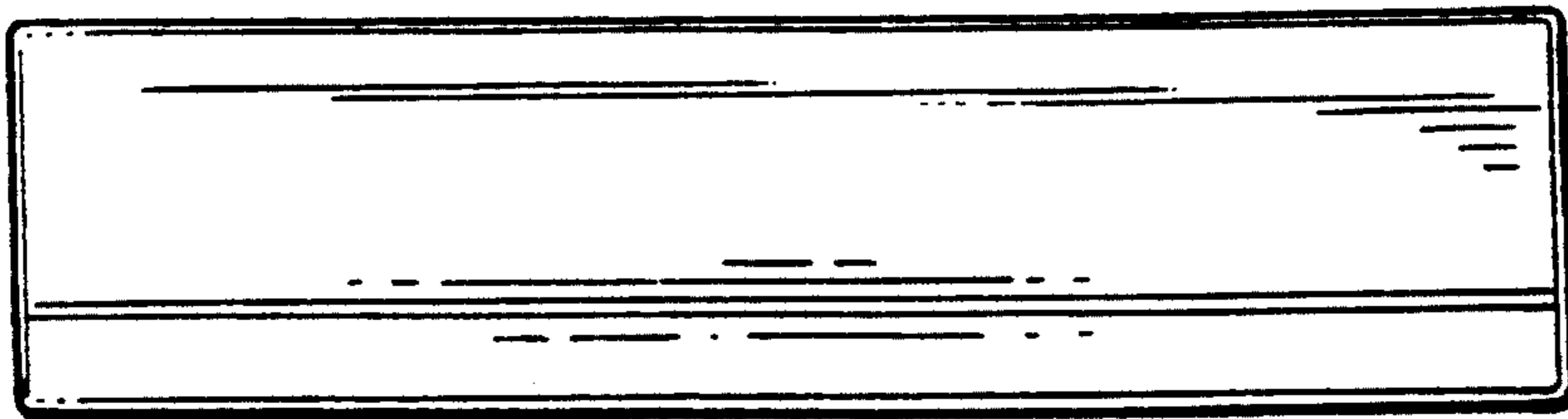


FIG. 5.

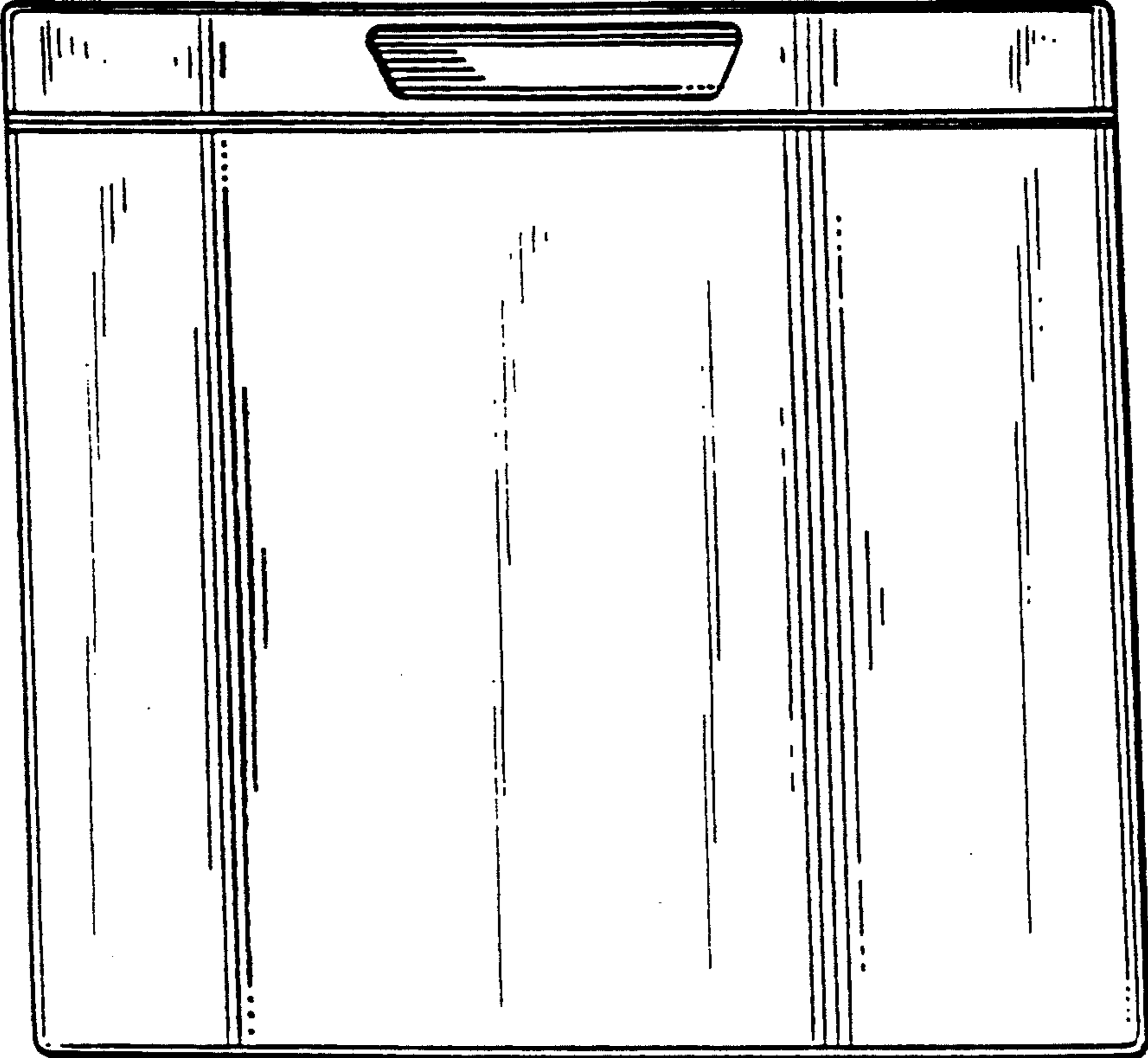


FIG: 7.

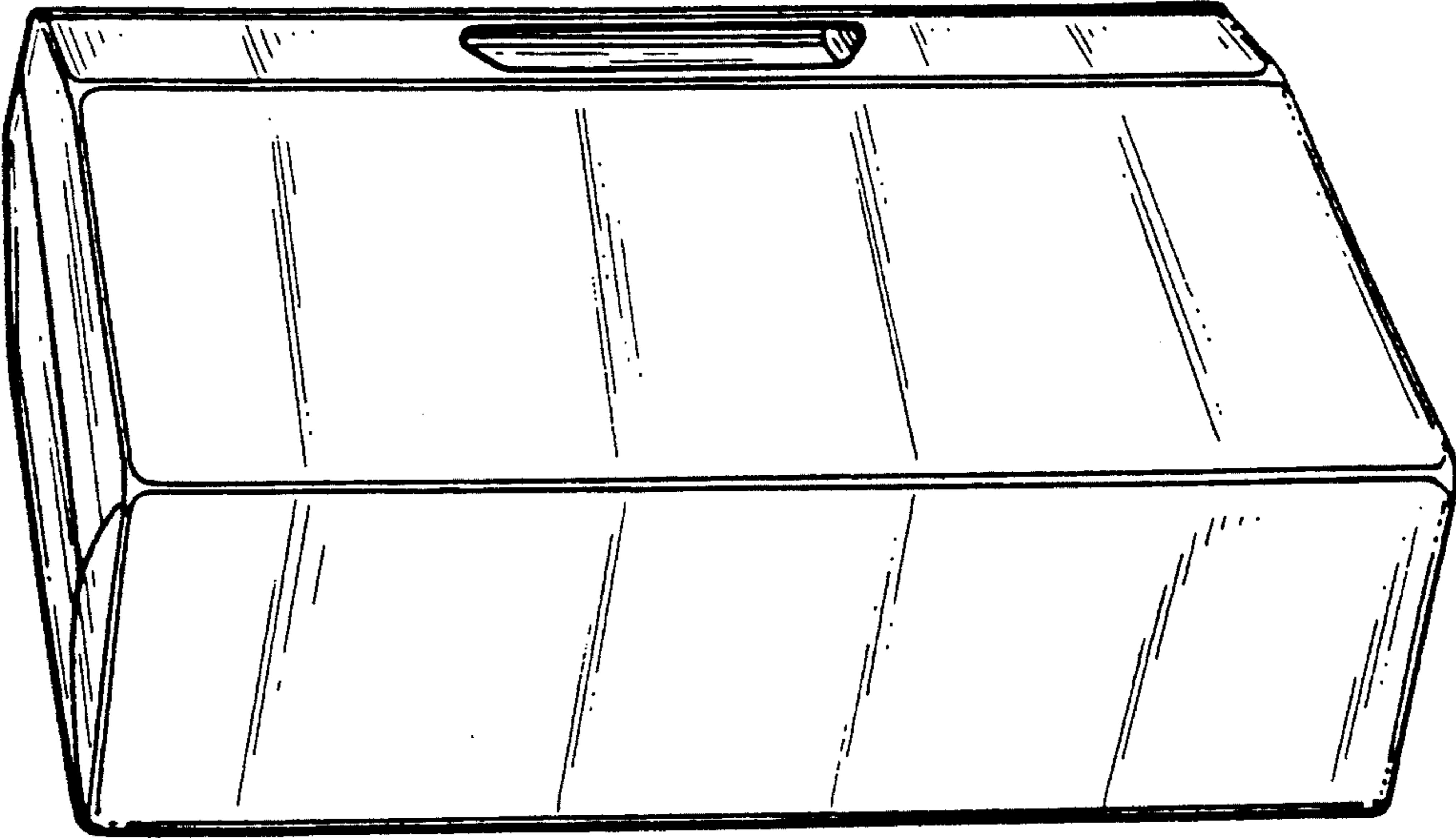


FIG: 8.