



US00D346403S

United States Patent [19]

[11] Patent Number: **Des. 346,403**

Ros

[45] Date of Patent: **** Apr. 26, 1994**

[54] FILING CASE

[75] Inventor: **Johannes F. Ros, Paris, France**

[73] Assignee: **Office Data Europe B.V., Netherlands**

[**] Term: **14 Years**

[21] Appl. No.: **685,482**

[22] Filed: **Apr. 15, 1991**

[30] Foreign Application Priority Data

Oct. 15, 1990 [IB] Int'l Pat. Institute DM/01 7848

[52] U.S. Cl. **D19/75; D3/282; D3/900; D19/27; D19/86**

[58] Field of Search **D3/73; 206/425, 444; 402/3, 80 P, 80 R, 35; D19/26, 27, 32, 75, 65, 86, 90, 91, 95, 100**

[56] References Cited

U.S. PATENT DOCUMENTS

D. 232,231	7/1974	Butler	D3/73
D. 232,597	8/1974	Sias	D3/73 X
D. 257,191	10/1980	Wilcox	D3/73
D. 260,454	9/1981	Pepicelli, Jr. et al.	D3/35
4,518,275	5/1985	Rauch, III et al.	402/80 P
5,069,667	12/1991	Fink et al.	402/3
5,076,722	12/1991	Rohner	402/80 R X

FOREIGN PATENT DOCUMENTS

8602134.6 4/1986 Fed. Rep. of Germany .
8816164 9/1989 Fed. Rep. of Germany .
2609940 1/1989 France .

OTHER PUBLICATIONS

The Modern Storage System, Datox Organisation (publication date unknown).

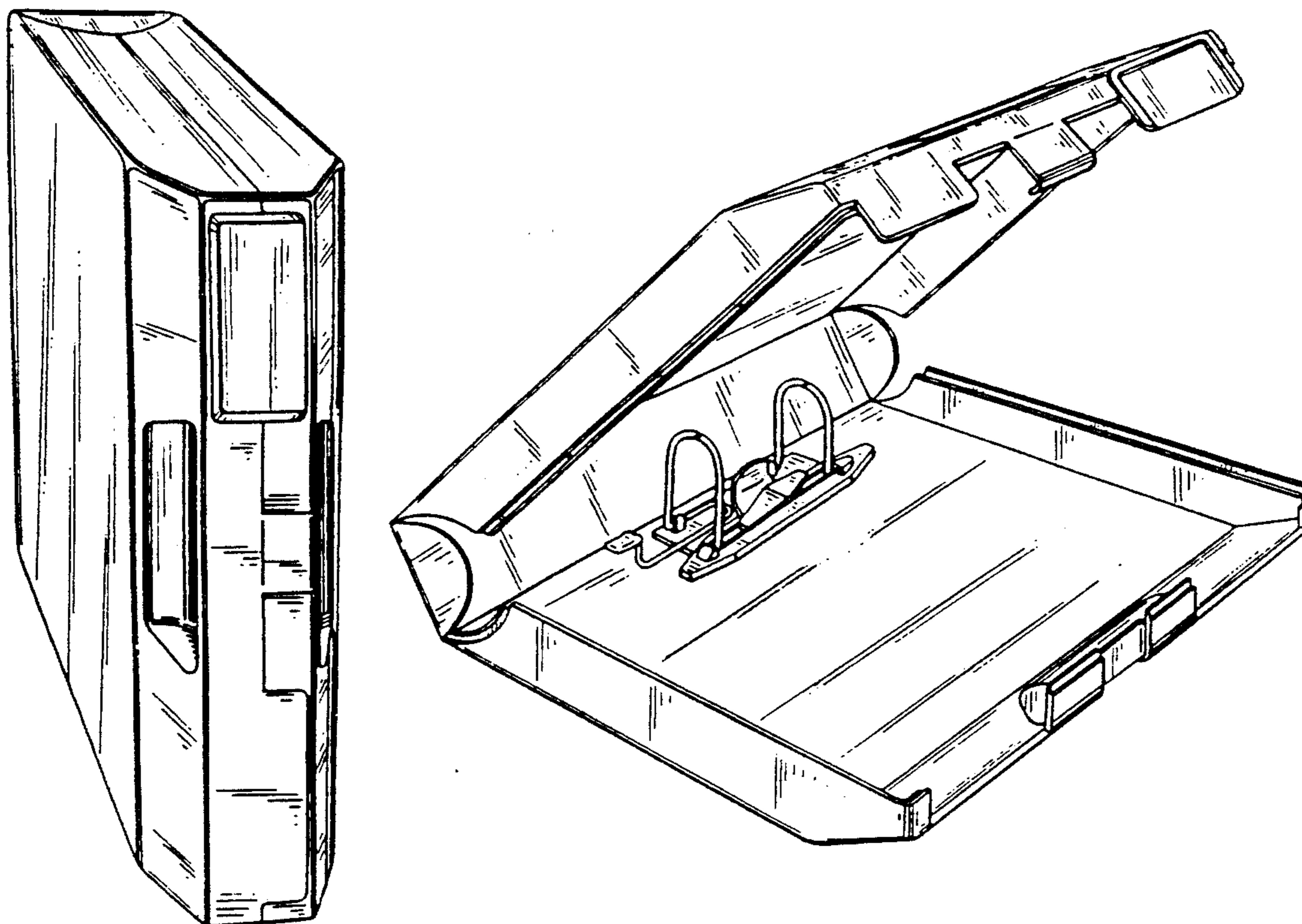
Primary Examiner—Nelson C. Holtje
Assistant Examiner—Martie Thompson
Attorney, Agent, or Firm—Ostrolenk, Faber, Gerb & Soffen

[57] CLAIM

The ornamental design for a filing case, as shown and described.

DESCRIPTION

FIG. 1 is a perspective view of a filing case showing my new design;
FIG. 2 is a perspective view in a partially opened condition;
FIG. 3 is a side elevational view;
FIG. 4 is an end elevational view, the opposite end being identical thereto;
FIG. 5 is a bottom plan view;
FIG. 6 is a top plan view;
FIG. 7 is a side elevational view of the side opposite that shown in FIG. 3; and,
FIG. 8 is a bottom perspective view thereof.



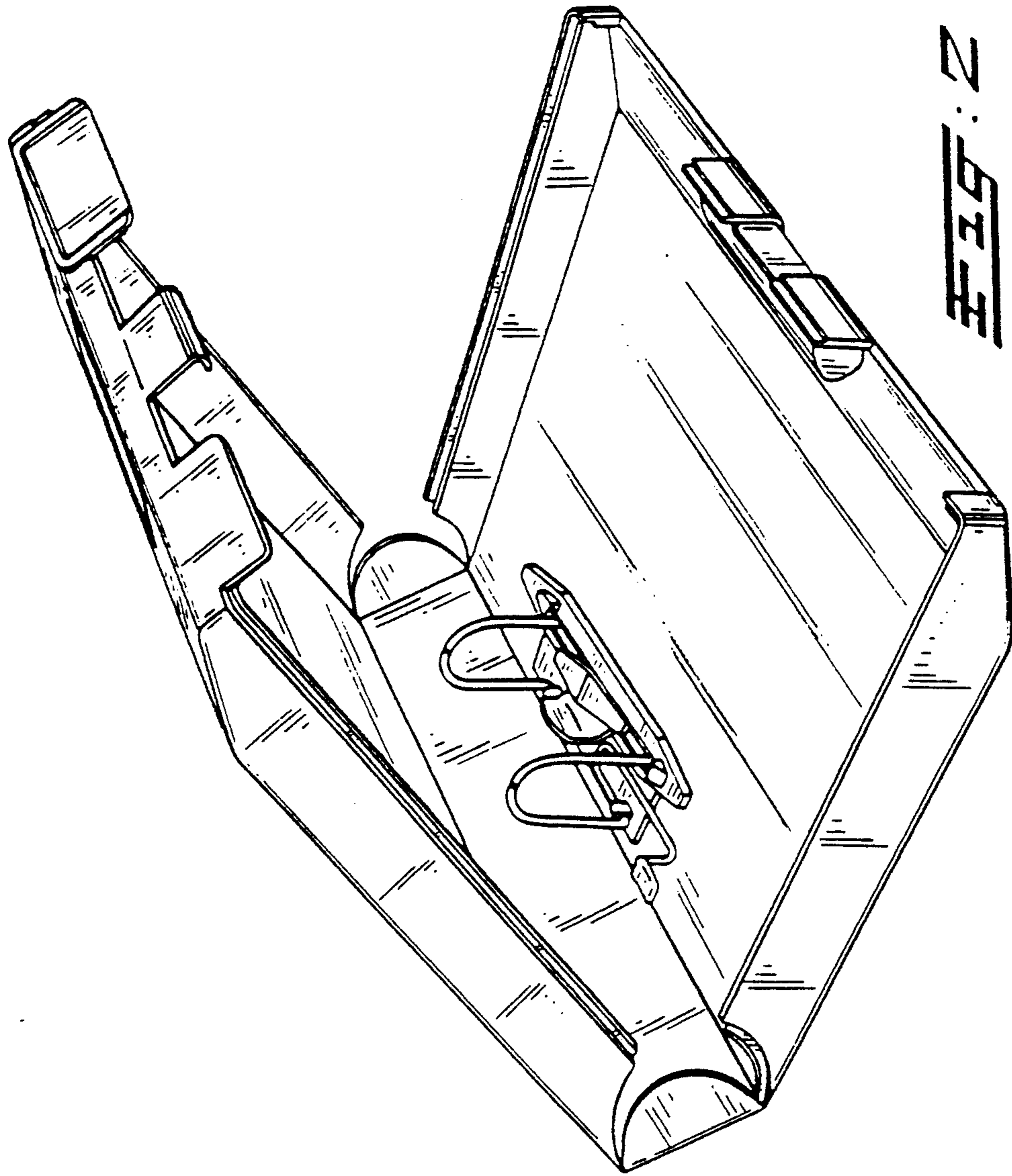


FIG. 2

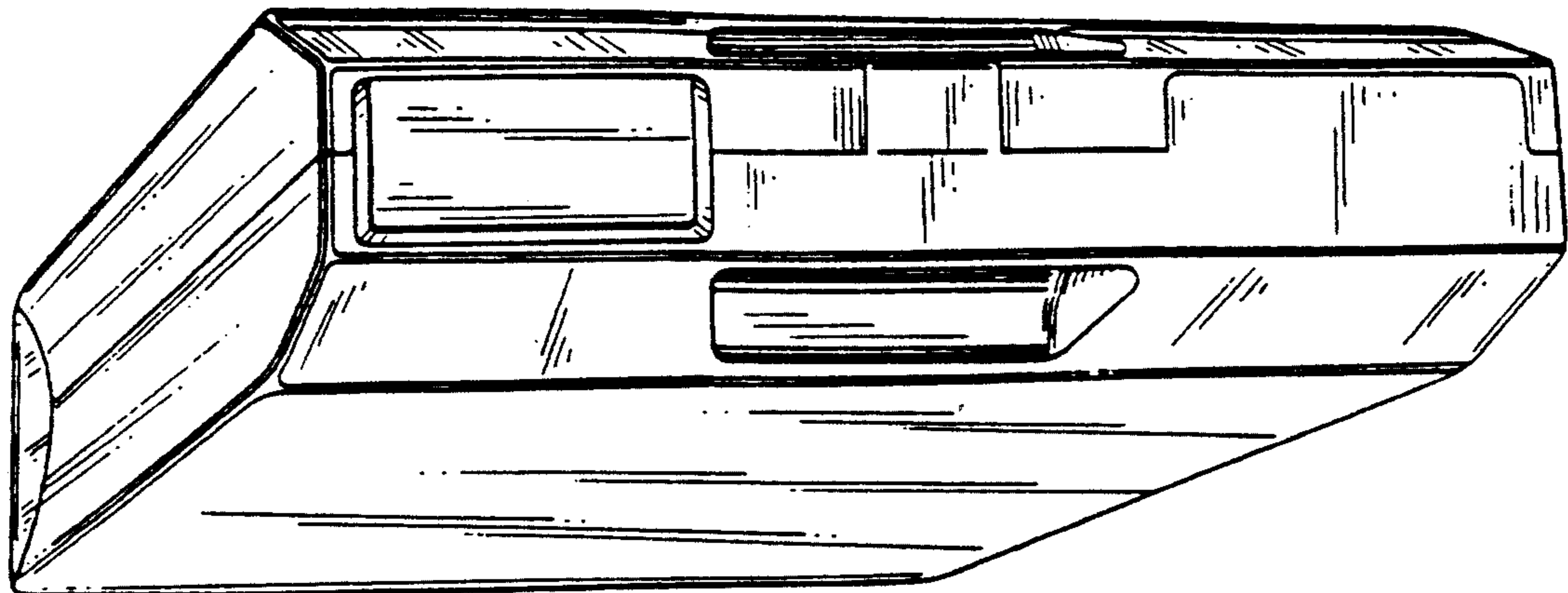


FIG. 1

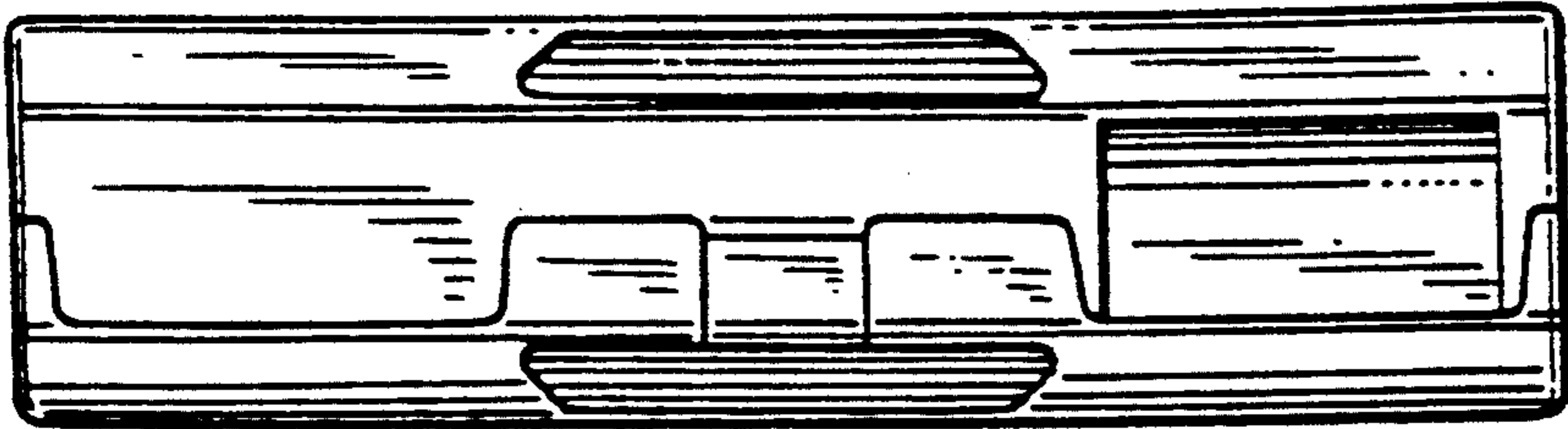


FIG. 6.

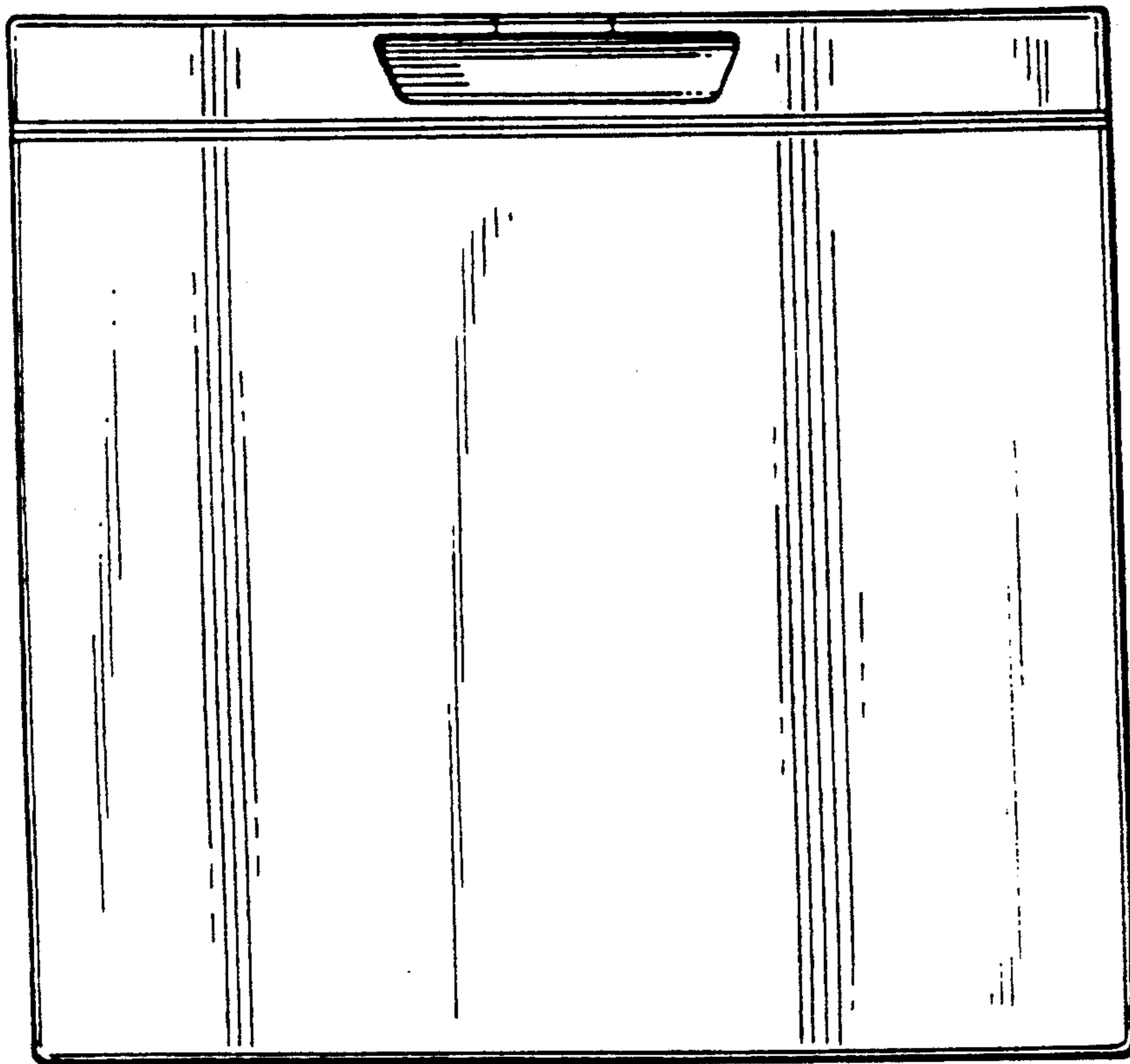


FIG. 3.

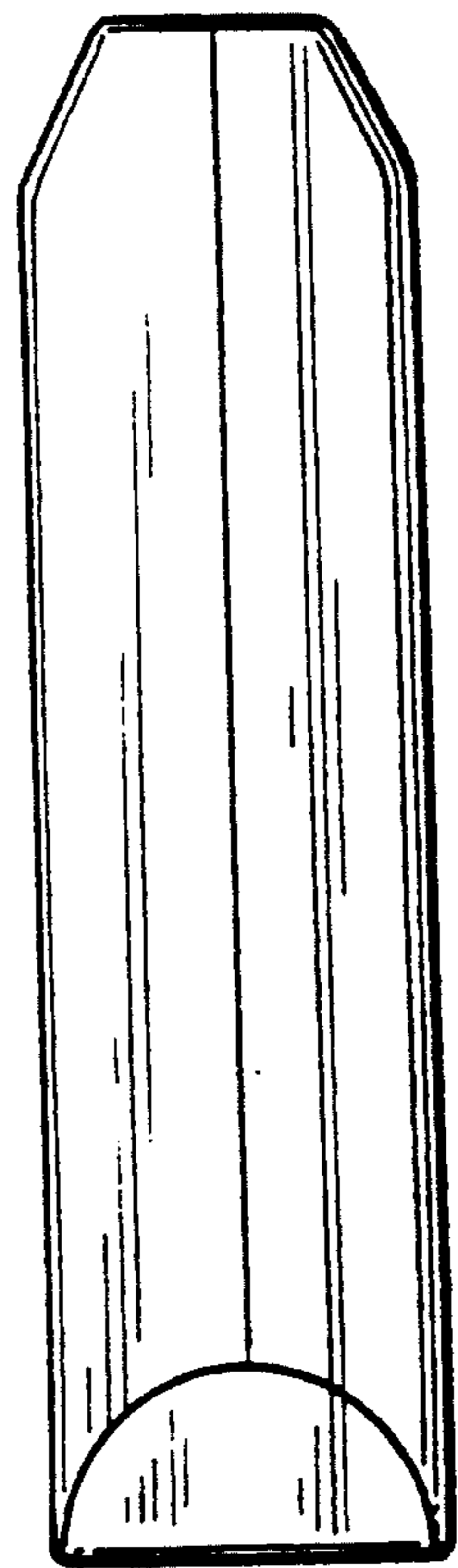


FIG. 4.

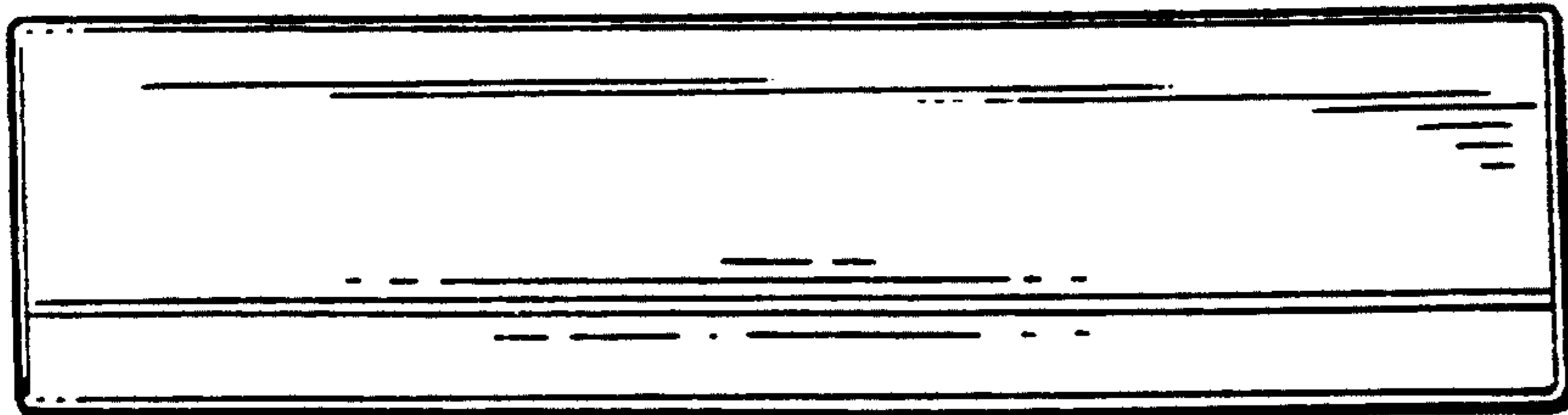


FIG. 5.

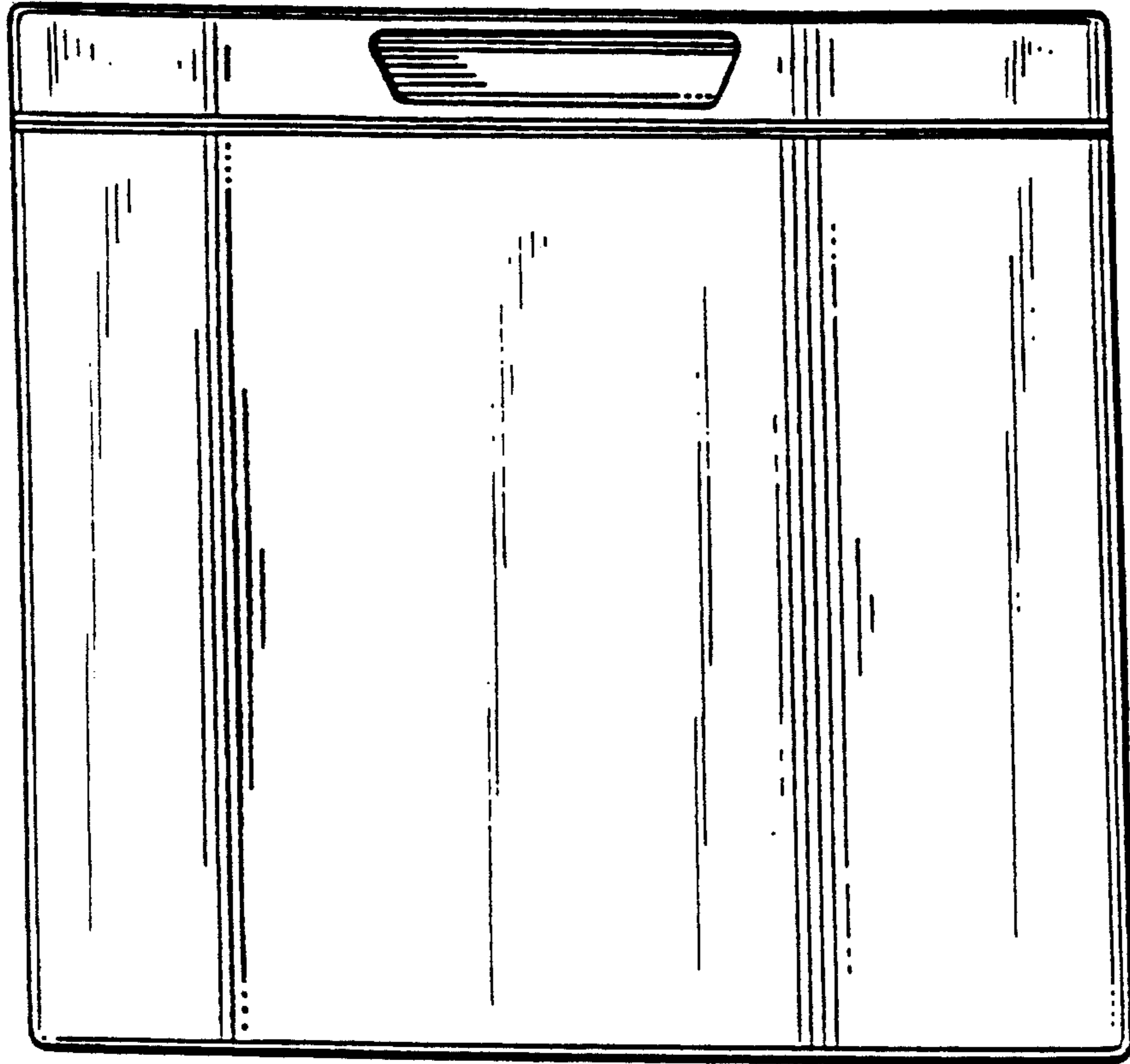


FIG. 7.

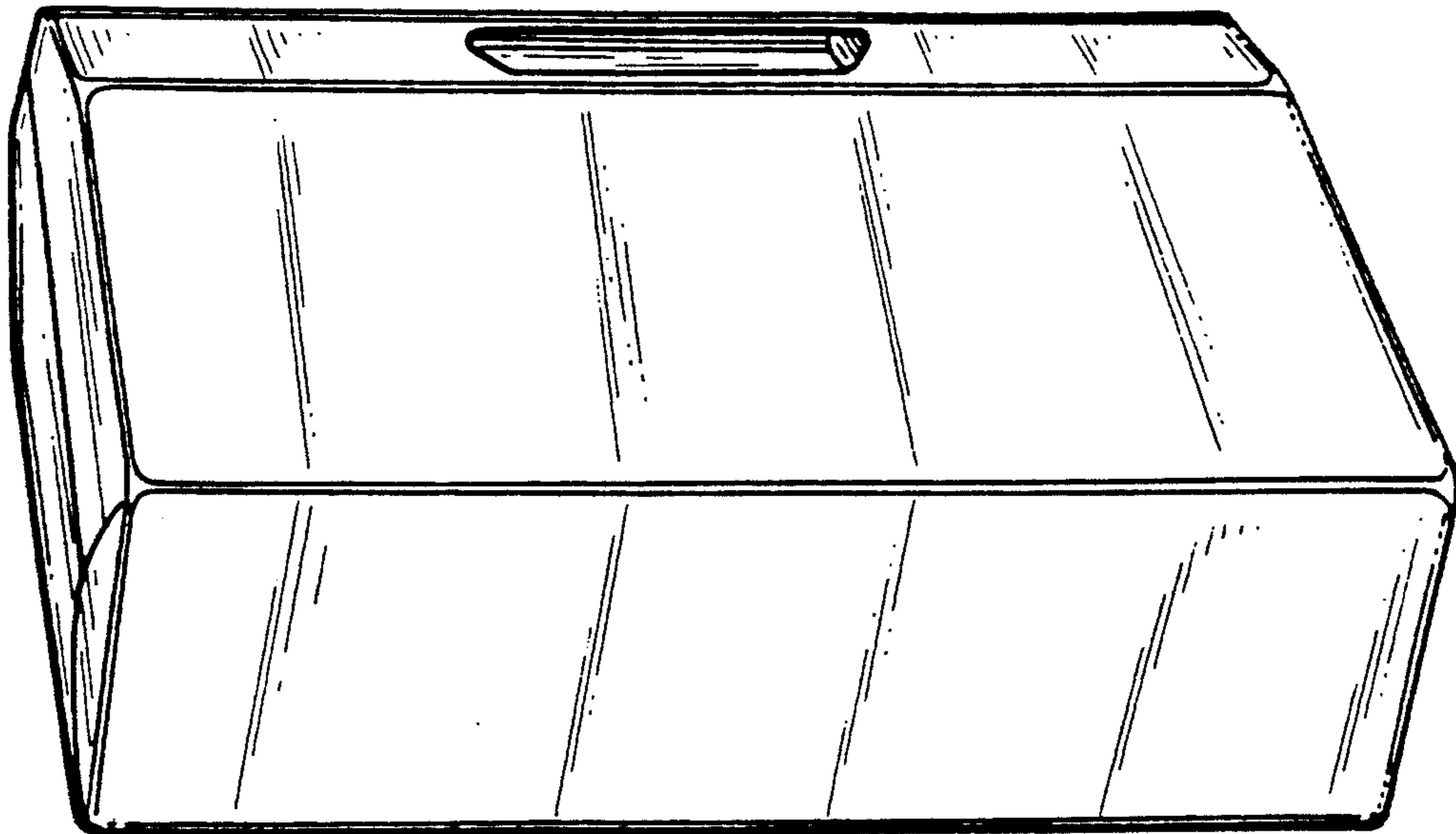


FIG. 8.