



US00D346400S

# United States Patent [19]

[11] Patent Number: **Des. 346,400**

Hartley et al.

[45] Date of Patent: **\*\* Apr. 26, 1994**

[54] **BOOKMARK LIGHT**

[75] Inventors: **John B. Hartley; Belton A. Copp,**  
both of Providence, R.I.

[73] Assignee: **Eye Design, Inc.,** Providence, R.I.

[\*\*] Term: **14 Years**

[21] Appl. No.: **983**

[22] Filed: **Oct. 30, 1992**

[52] U.S. Cl. .... **D19/34; D26/38**

[58] Field of Search ..... **281/42; 40/658, 666;**  
**362/98, 198; D19/34; D26/38, 43**

[56] **References Cited**

**U.S. PATENT DOCUMENTS**

2,199,311	4/1940	Hartmann et al. ....	362/98
3,159,137	12/1964	Baldwin .....	281/42
4,432,042	2/1984	Zeller .....	362/198 X
4,869,529	9/1989	Hoffman, Jr. ....	281/42

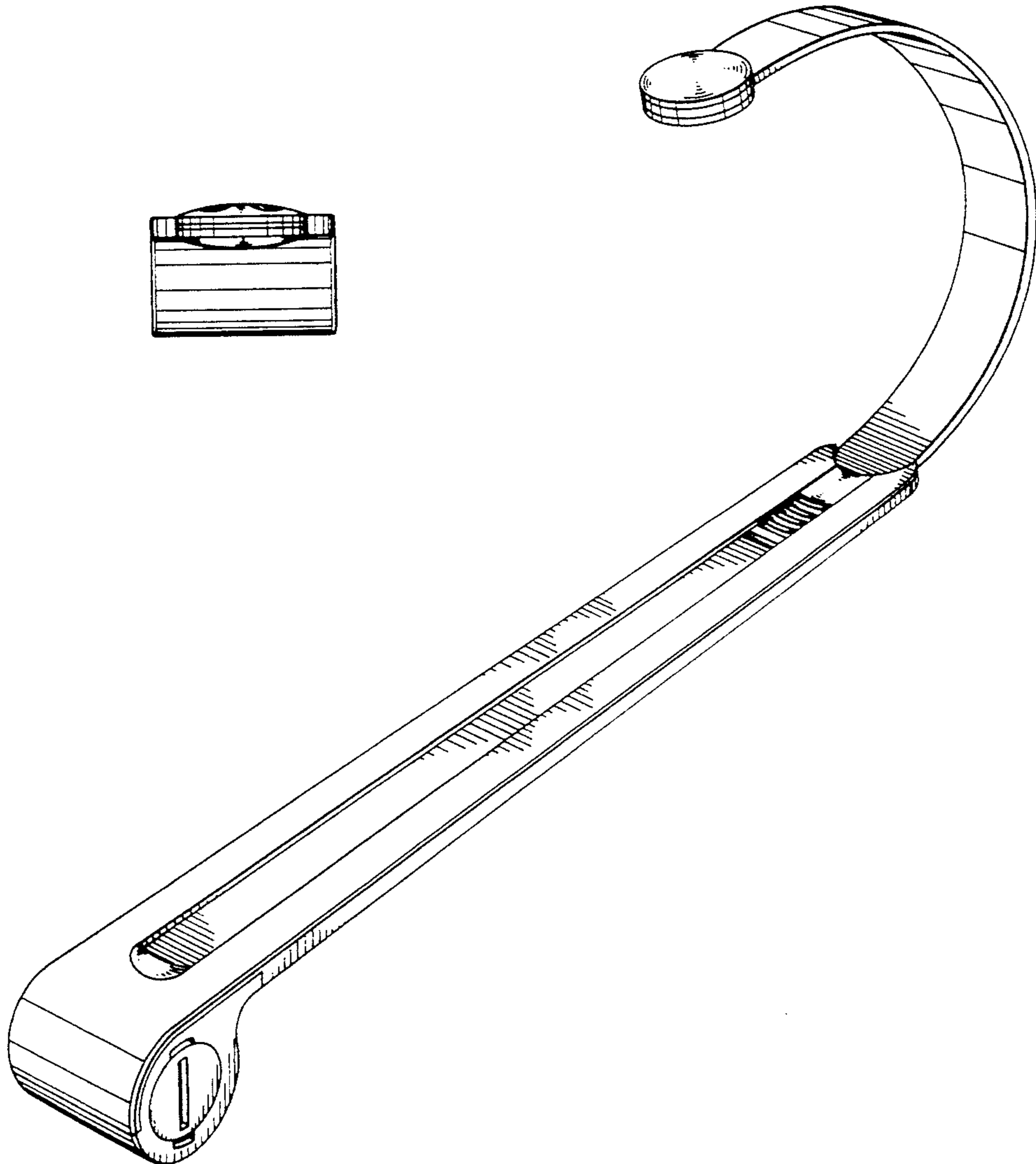
*Primary Examiner*—Wallace R. Burke  
*Assistant Examiner*—Pamela Burgess  
*Attorney, Agent, or Firm*—Salter, Michaelson & Benson

[57] **CLAIM**

The ornamental design for a bookmark light, as shown and described.

**DESCRIPTION**

FIG. 1 is a perspective view showing a bookmark light having our new design, with the light in retracted, non-operative position;  
FIG. 2 is a left-end view thereof;  
FIG. 3 is a right-end view thereof;  
FIG. 4 is a top plan view thereof;  
FIG. 5 is a right side edge view thereof;  
FIG. 6 is a bottom plan view thereof;  
FIG. 7 is a left side edge view thereof; and,  
FIG. 8 is a perspective view showing the bookmark light in its extended, operative position.



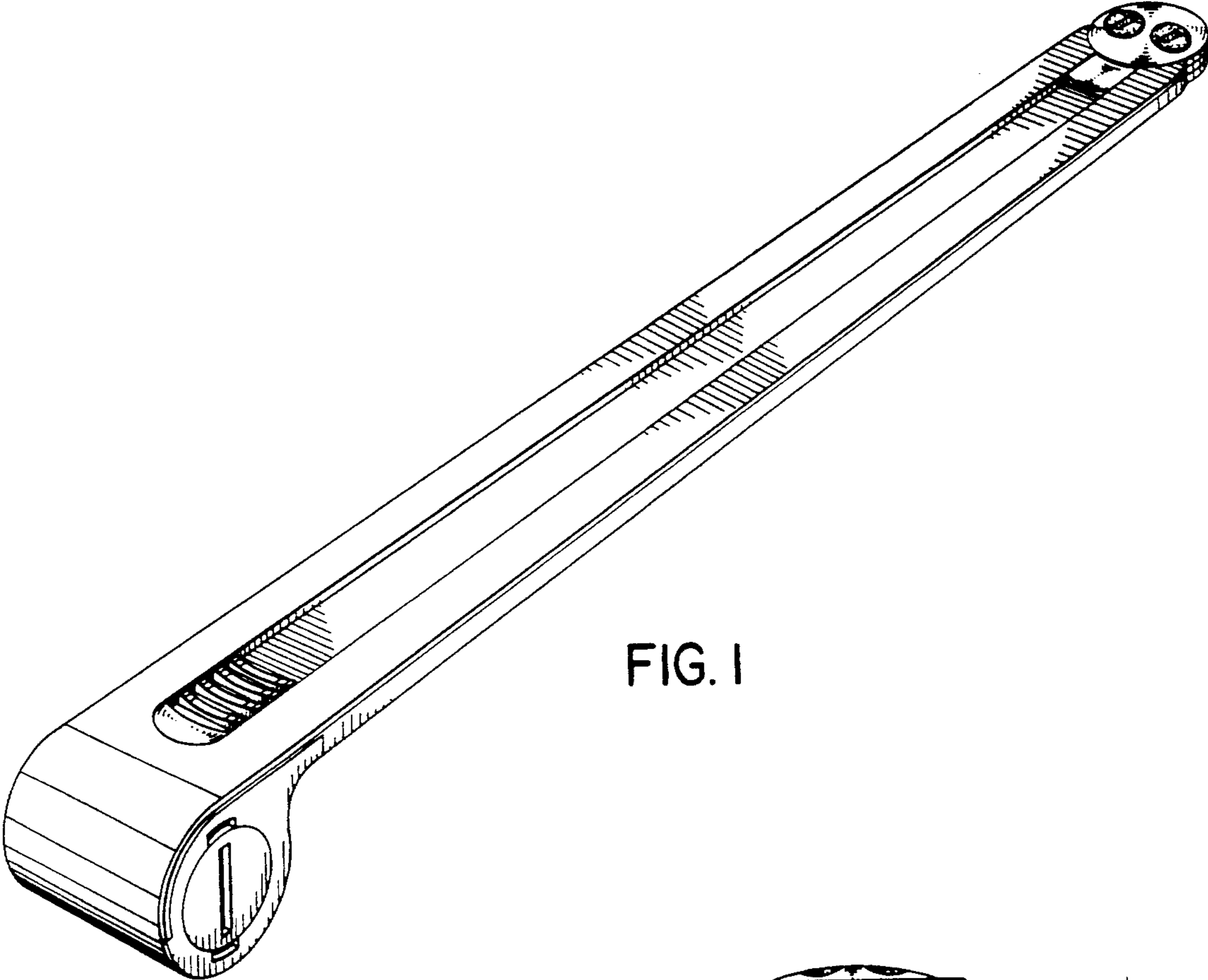


FIG. 1

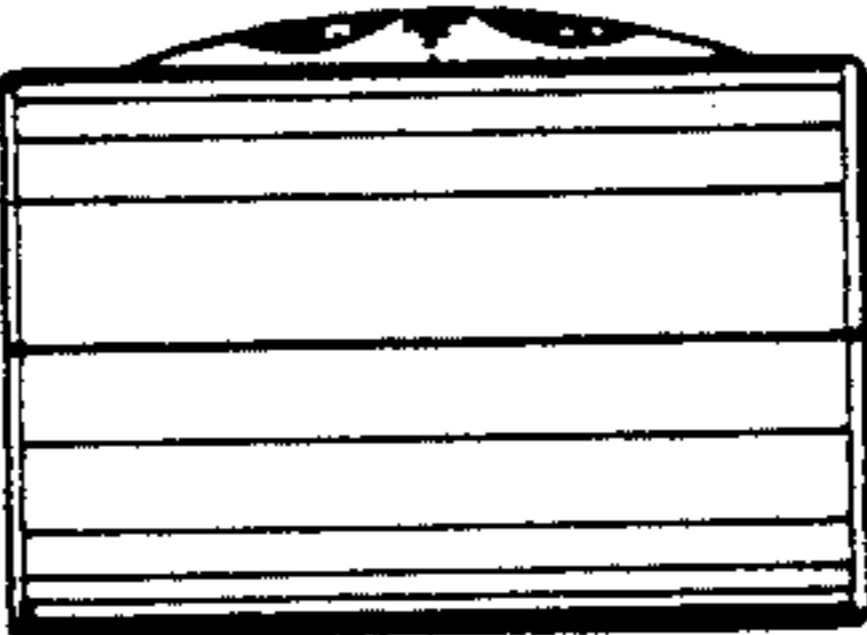


FIG. 2

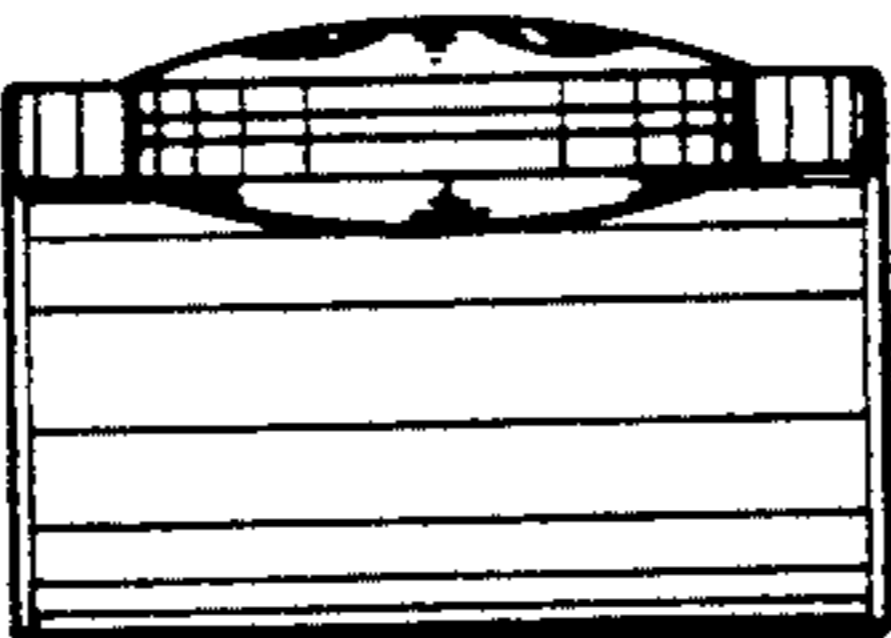


FIG. 3

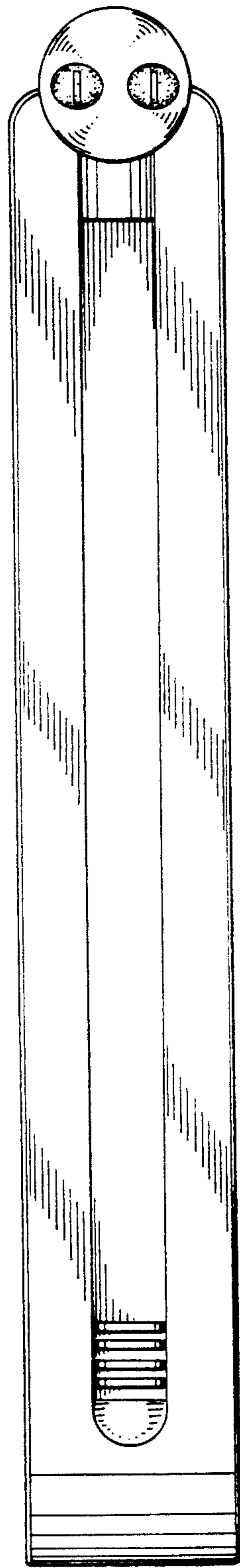


FIG. 4

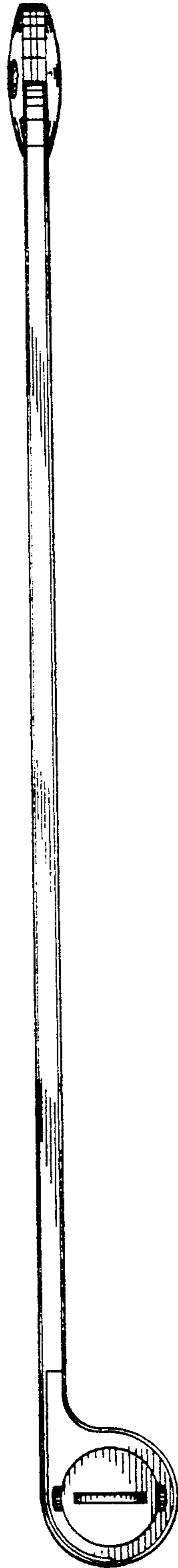


FIG. 5

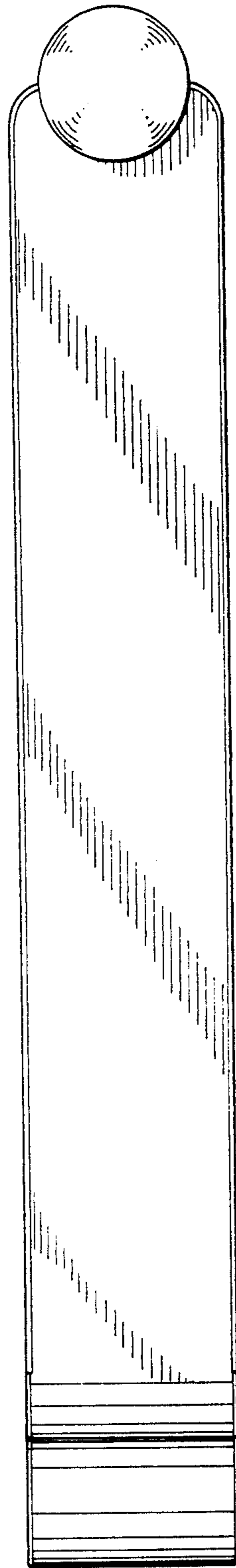


FIG. 6

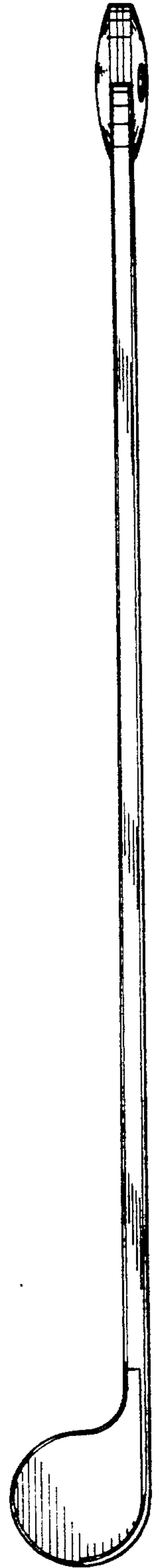


FIG. 7

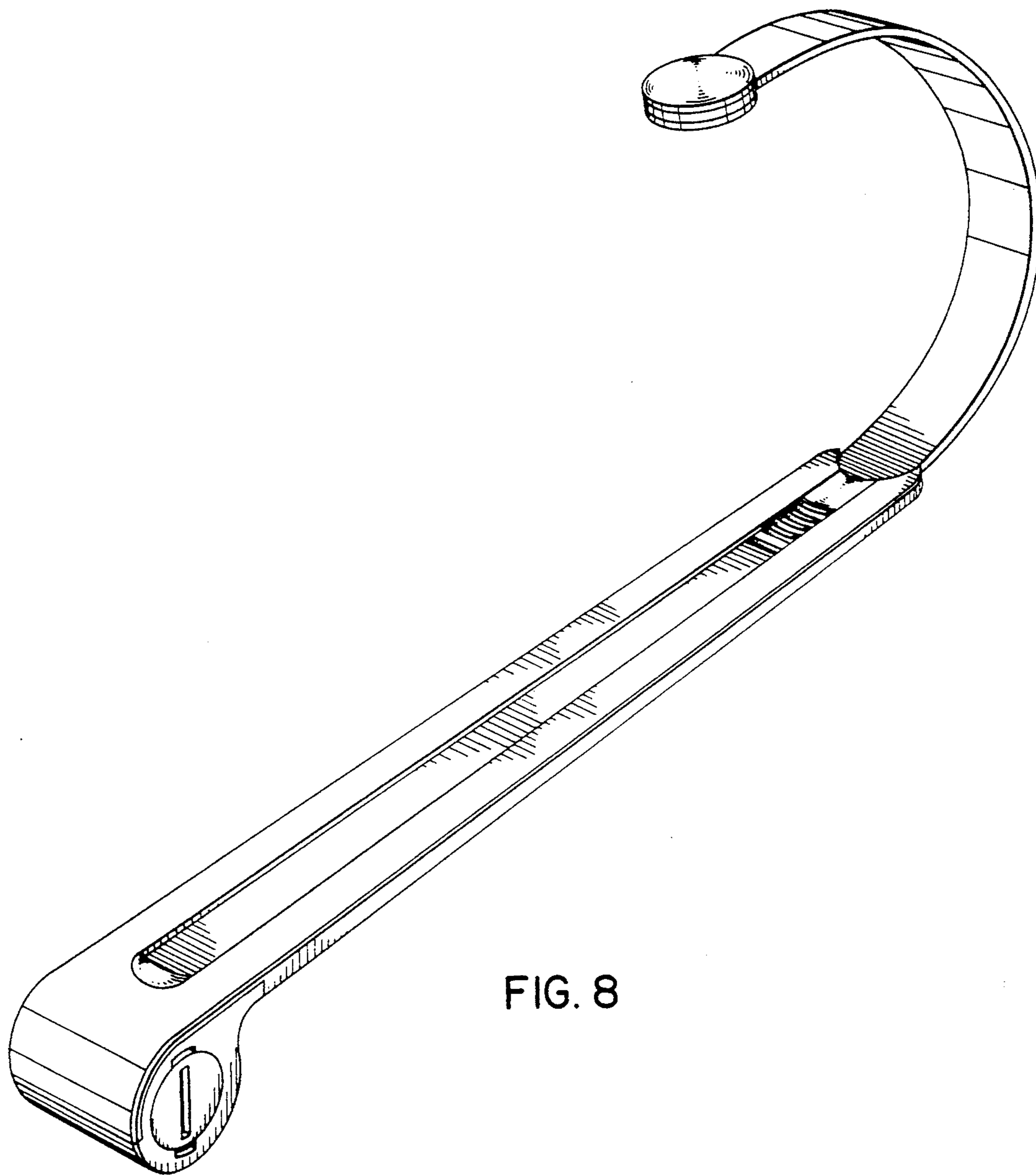


FIG. 8