



US00D346392S

United States Patent [19]

[11] Patent Number: **Des. 346,392**

Tomita

[45] Date of Patent: **** Apr. 26, 1994**

[54] **SIGHT SCOPE**

- [75] Inventor: **Saburo Tomita, Fujimi, Japan**
- [73] Assignee: **Asia Optical Co., Ltd., Tokyo, Japan**
- [**] Term: **14 Years**
- [21] Appl. No.: **842,594**
- [22] Filed: **Feb. 28, 1992**

[30] **Foreign Application Priority Data**

- Jan. 22, 1992 [JP] Japan 4-1416
- [52] U.S. Cl. **D16/132**
- [58] Field of Search 33/241, 243, 244, 245, 33/246, 252, 257, 259, 261, 265, 297; 42/100; 356/150-151, 153, 247-250; 359/418, 399, 400, 417-418, 428, 427, 429; 250/214 VT, 330; D16/130-136; D22/109-110

[56] **References Cited**

U.S. PATENT DOCUMENTS

- D. 240,333 6/1976 Chesnut D16/132
- D. 305,030 12/1989 Fukushima D16/130
- D. 312,089 11/1990 Jörlöv D16/132
- D. 332,792 1/1993 Jörlöv D16/132
- 3,645,635 2/1972 Steck 42/100
- 4,082,466 4/1978 Underberg 356/249
- 4,509,282 4/1985 McCillon 33/261
- 4,734,989 4/1988 Sanders 33/243
- 4,806,007 2/1989 Bindon 359/429
- 4,912,852 4/1990 Sanders 33/244
- 4,920,654 5/1990 Sanders 33/252
- 4,940,324 7/1990 Nichols 356/247

FOREIGN PATENT DOCUMENTS

- 1203975 10/1965 Fed. Rep. of Germany 359/427
- 2084347 4/1982 United Kingdom 359/399
- 2006485 4/1992 World Int. Prop. O. ... 250/214 VT

OTHER PUBLICATIONS

- National FOP Journal; Spring 1991; p. 55, Laser Devices, Inc. Diode Laser Sighting System.
- Peterson's Hunting; Jul. 1990; p. 57; Swarovski Optick Variable Power Riflescope—American Lightweight Series.
- Pistol & Revolver Digest; ©1976; p. 235; The Lobo 1.5X Pistol Scope.
- Sky & Telescope Magazine; Oct. 1985; back cover; Celestron International Super C8 Plus Telescope & Scope.

Primary Examiner—Cathy Anne MacCormac
Attorney, Agent, or Firm—Wegner, Cantor, Mueller & Player

[57] **CLAIM**

The ornamental design for a sight scope, as shown and described.

DESCRIPTION

- FIG. 1 is a top plan view of a sight scope, showing our new design;
- FIG. 2 is a front elevational view thereof;
- FIG. 3 is a rear elevational view thereof;
- FIG. 4 is a bottom plan view thereof;
- FIG. 5 is a left side elevational view thereof;
- FIG. 6 is a right side elevational view thereof; and,
- FIG. 7 is a perspective view thereof.

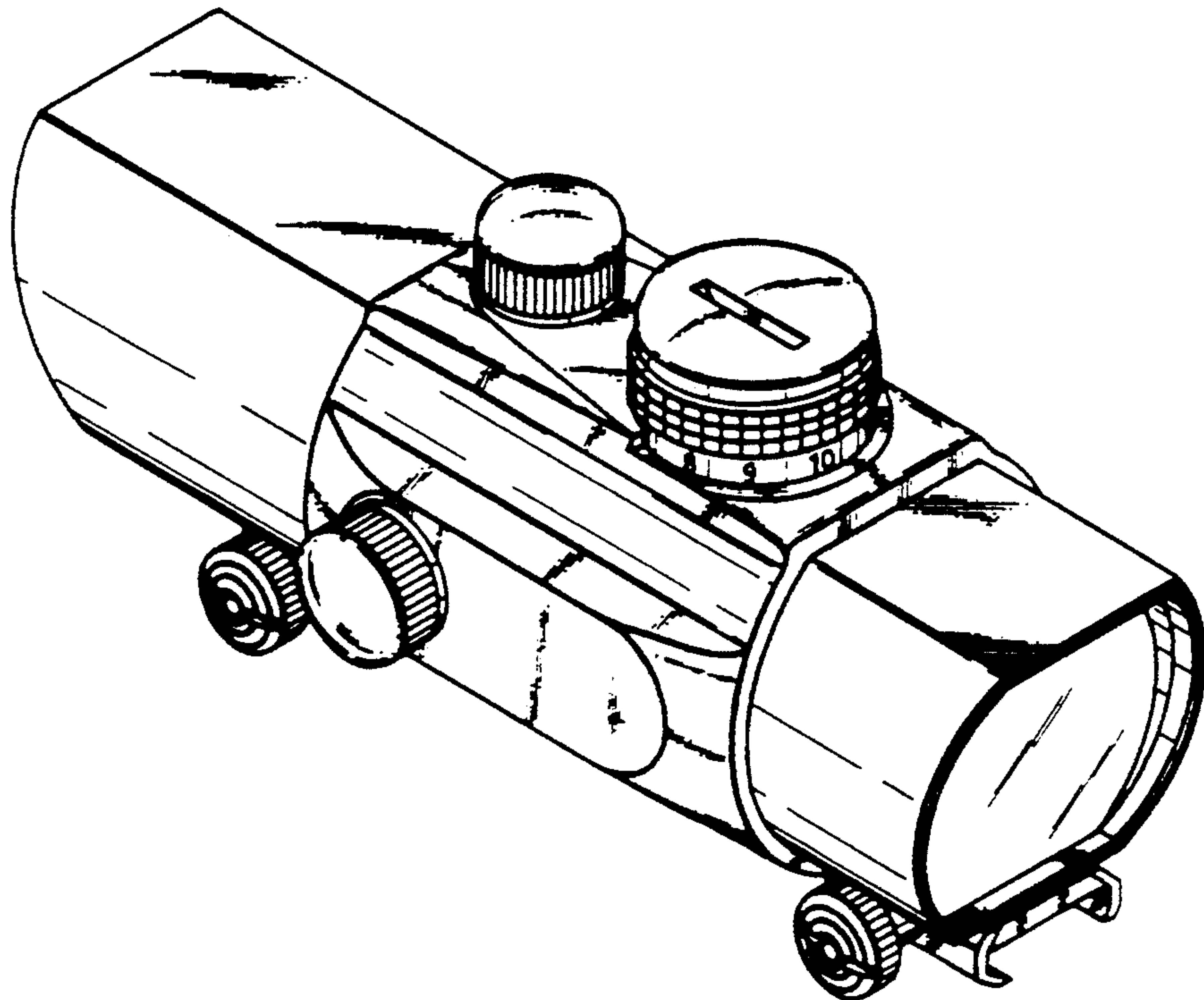


Fig. 1

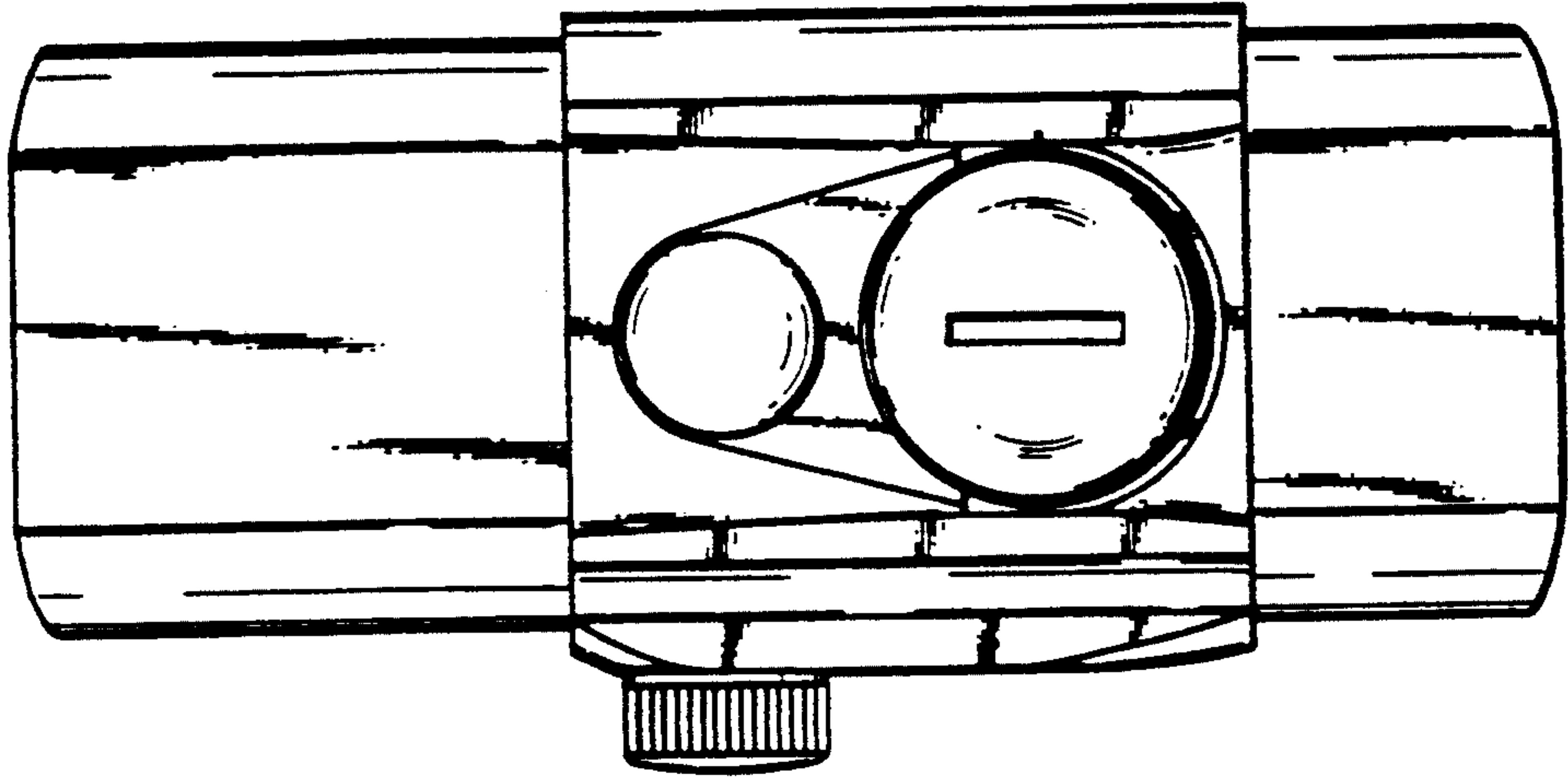


Fig. 2

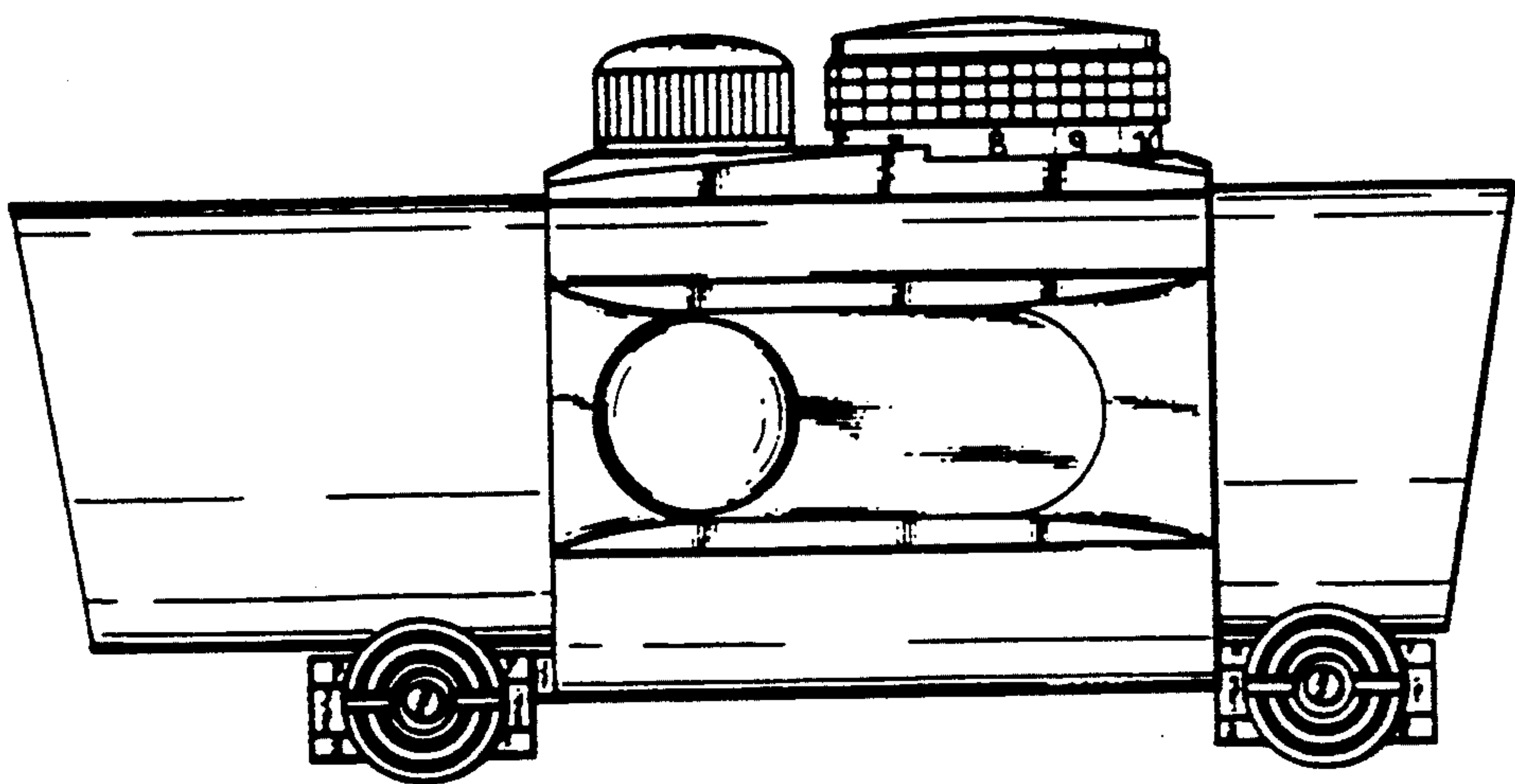


Fig. 3

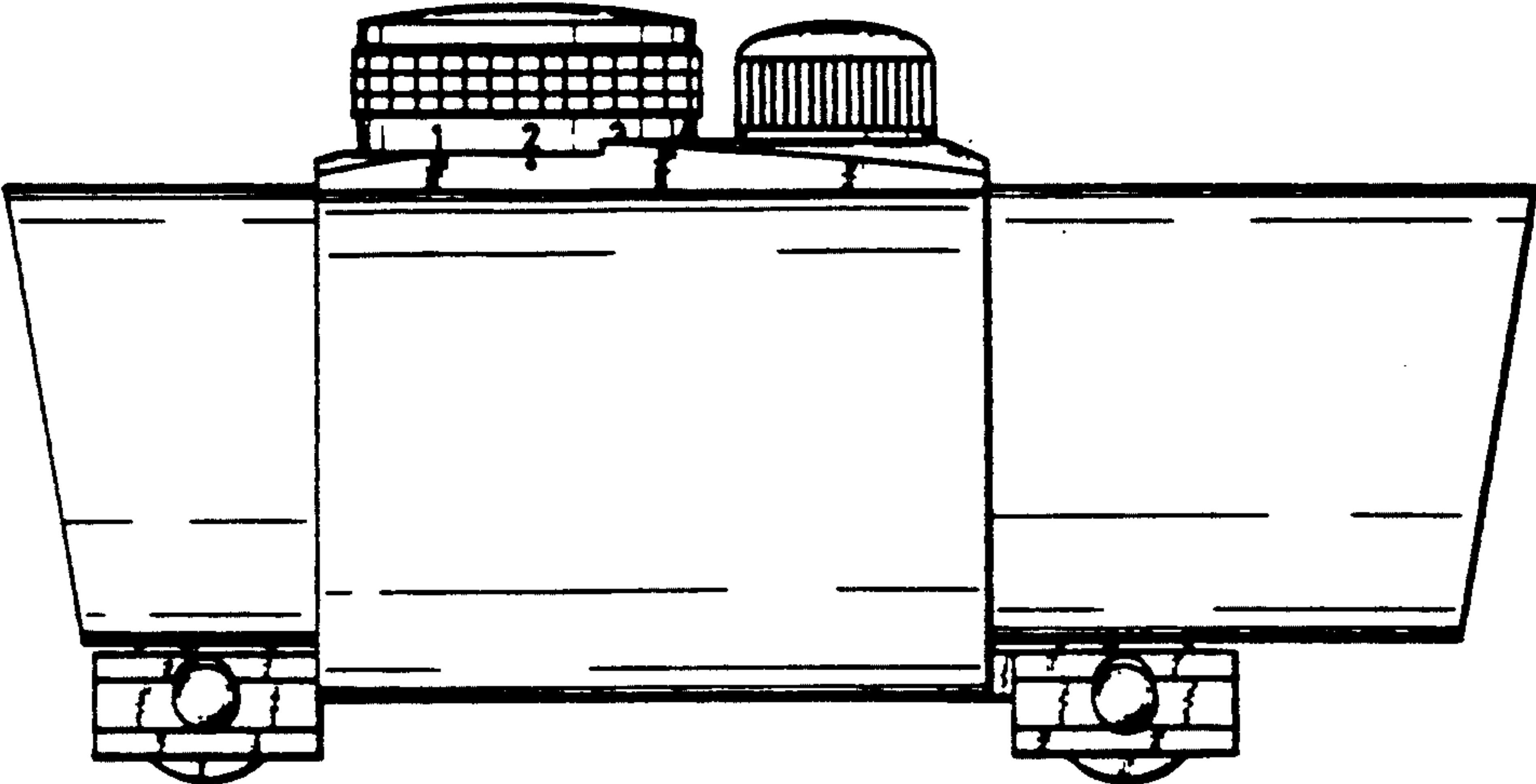


Fig. 4

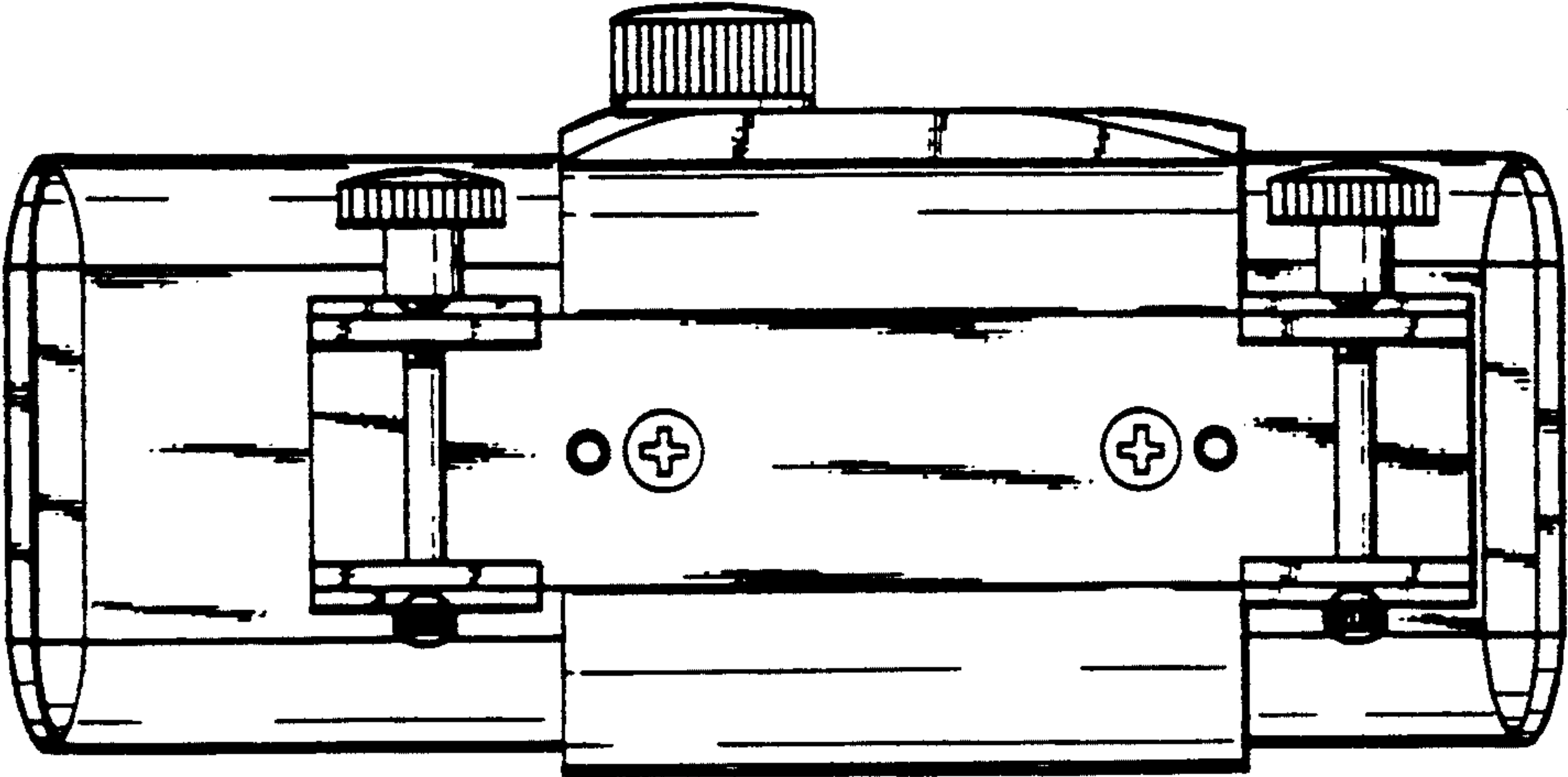


Fig. 5

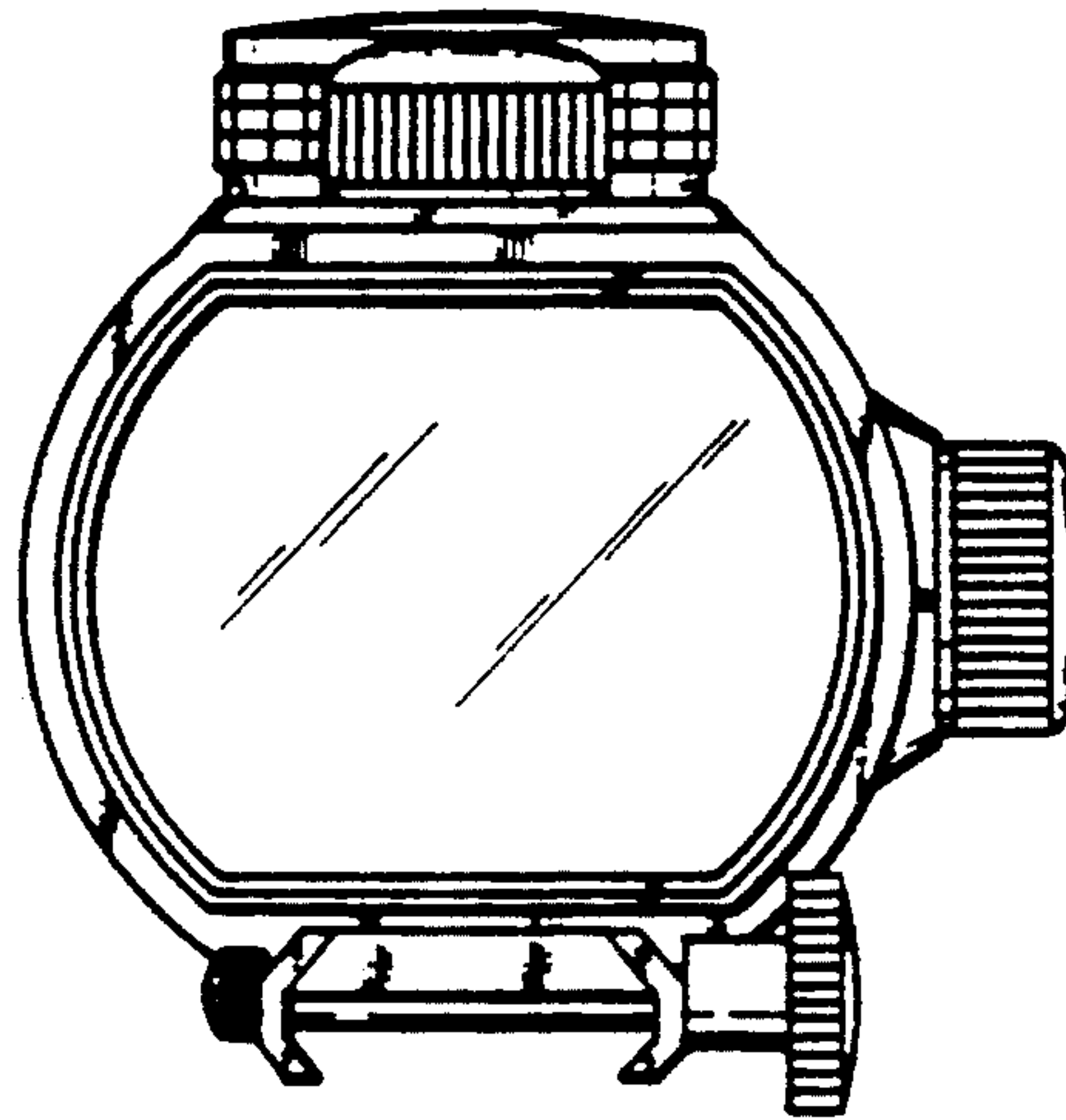


Fig. 6

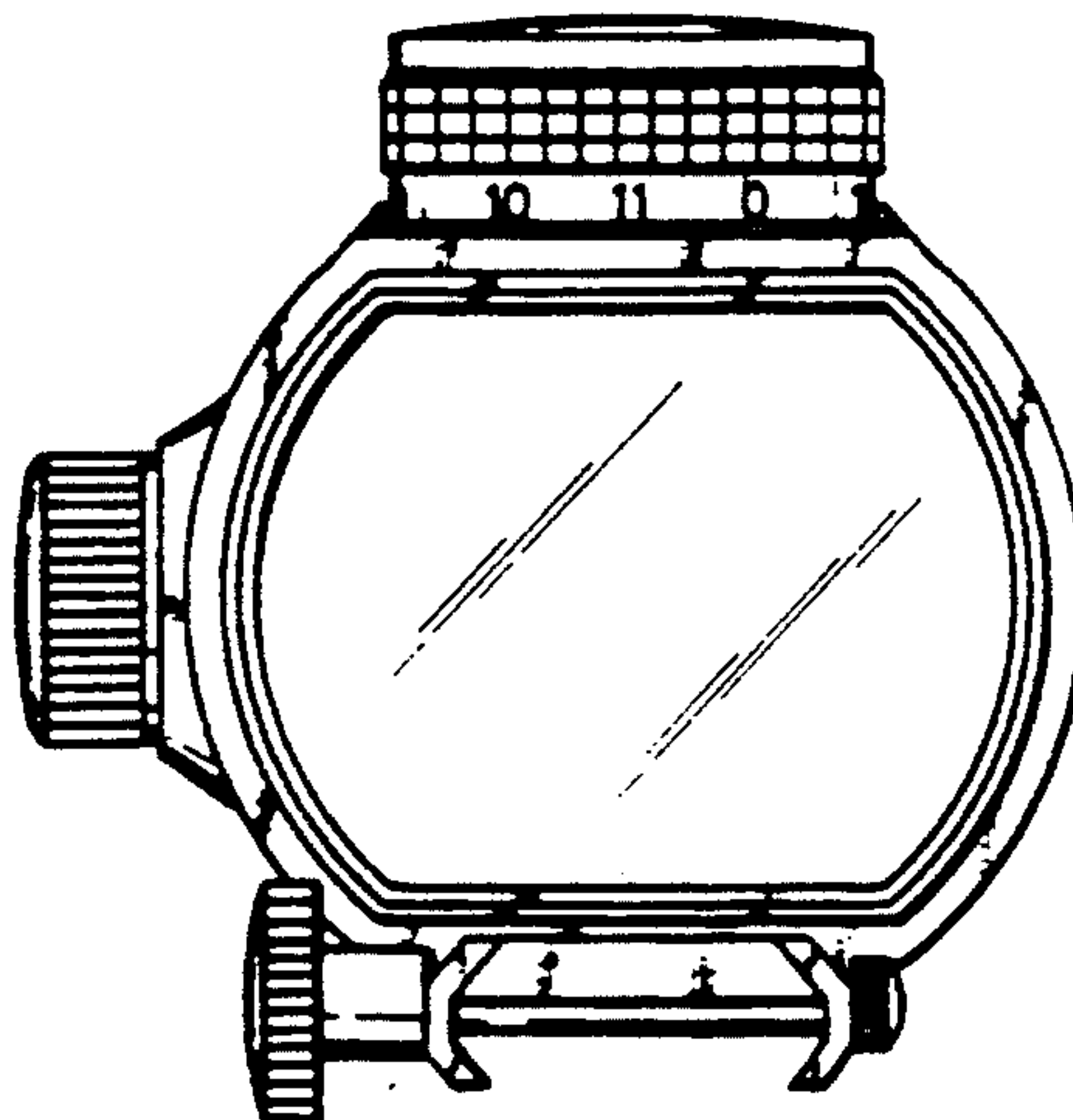


Fig. 7

