



US00D346388S

United States Patent [19]

[11] Patent Number: **Des. 346,388**

Silbernagel

[45] Date of Patent: **** Apr. 26, 1994**

[54] **ARTICULATED SELF-PROPELLED BI-DIRECTIONAL SOIL STABILIZER ROAD RECLAIMER MACHINE**

[76] Inventor: **Frederick J. Silbernagel, 4007 Fontana Dr., Oklahoma City, Okla. 73116**

[**] Term: **14 Years**

[21] Appl. No.: **808,446**

[22] Filed: **Dec. 16, 1991**

[52] U.S. Cl. **D15/22**

[58] Field of Search 37/108 R; 172/112, 123, 172/125; 299/39; 404/90, 122; D15/10, 11, 22-26

[56] **References Cited**

U.S. PATENT DOCUMENTS

D. 218,740	9/1970	Swisher, Jr. et al.	D15/25
D. 256,466	8/1980	Smith et al.	D15/22
D. 258,887	4/1981	Swisher, Jr. et al.	D15/22
D. 309,613	7/1990	Gilbert	D15/23
4,325,580	4/1982	Swisher, Jr. et al.	37/108 R

OTHER PUBLICATIONS

Brochure for CMI RS-500 Reclaimer/Stabilizer, undated.

Concrete Reporter, "CMI Introduces New Road Reclaimer/Soil Stabilizer," (Spring 1991), p. 6.

Primary Examiner—Bernard Ansher

Assistant Examiner—Sandra Morris

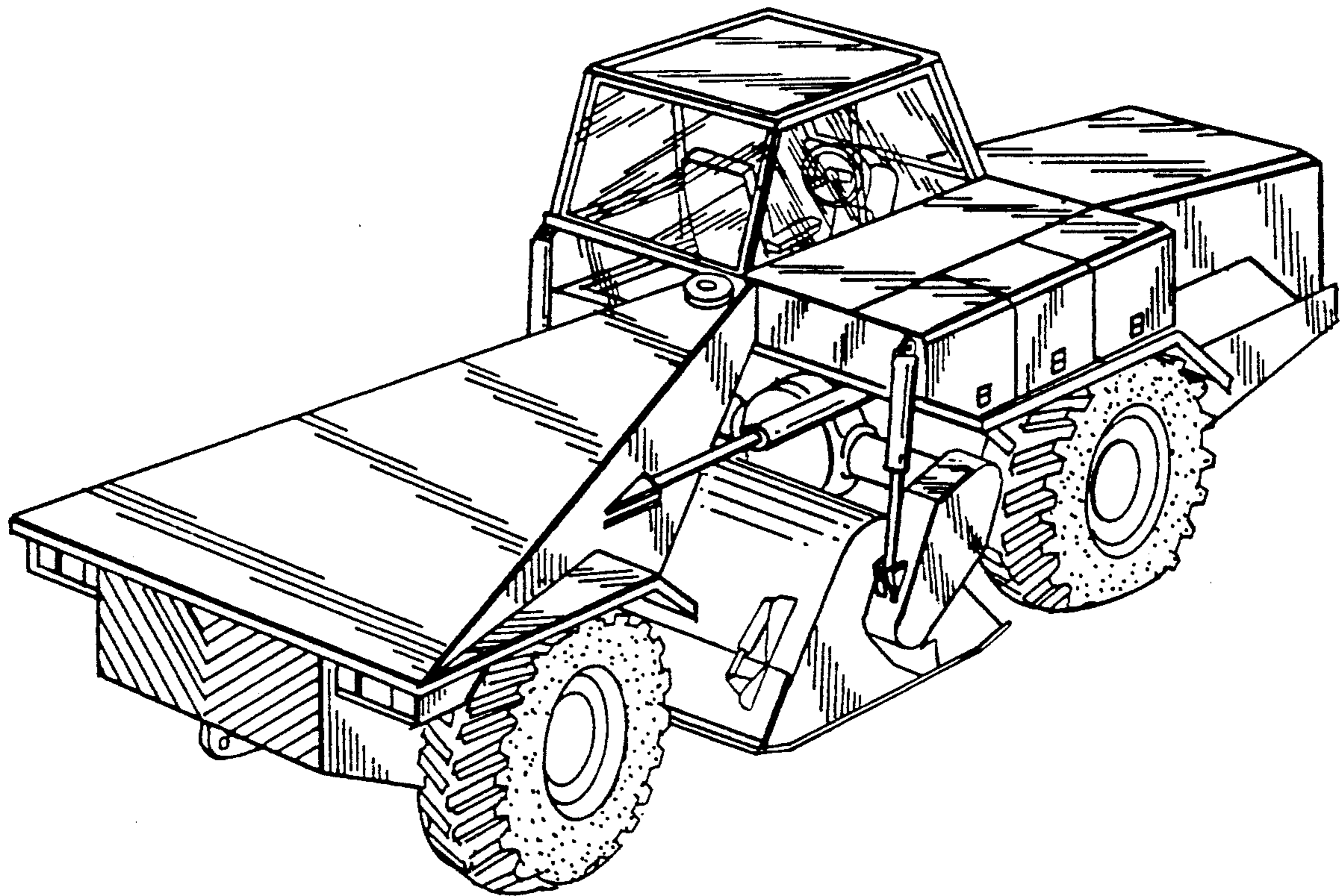
Attorney, Agent, or Firm—Westman, Champlin & Kelly

[57] **CLAIM**

The ornamental design for an articulated self-propelled bi-directional soil stabilizer road reclaimer machine, as shown and described.

DESCRIPTION

FIG. 1 is a perspective front view of an articulated self-propelled bi-directional soil stabilizer road reclaimer machine embodying my new design; FIG. 2 is a rear perspective view thereof; FIG. 3 is a top plan view thereof; FIG. 4 is a right side elevational view thereof; FIG. 5 is a front elevational view thereof; FIG. 6 is a left side elevational view thereof; and, FIG. 7 is a rear elevational view thereof.



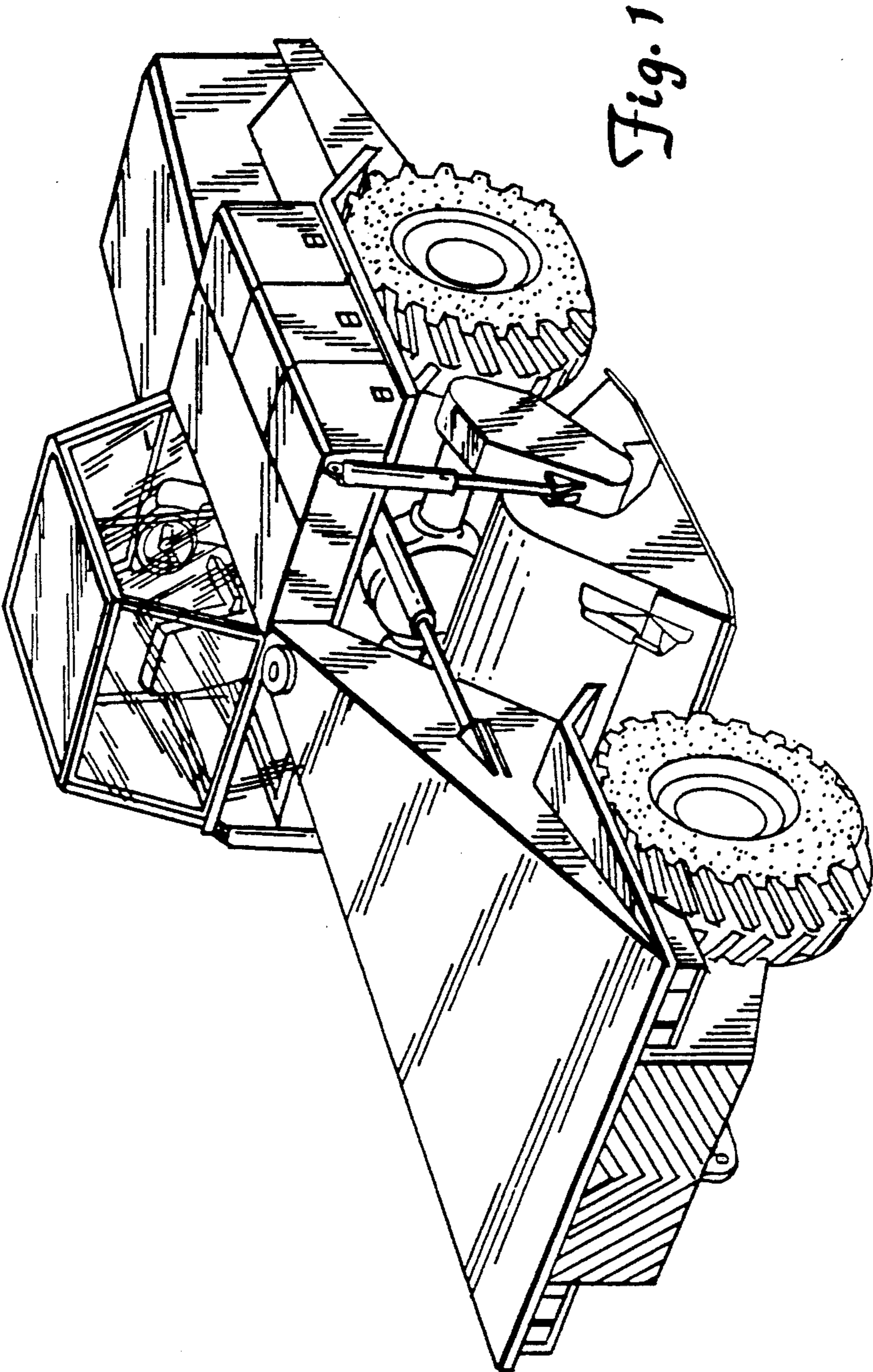
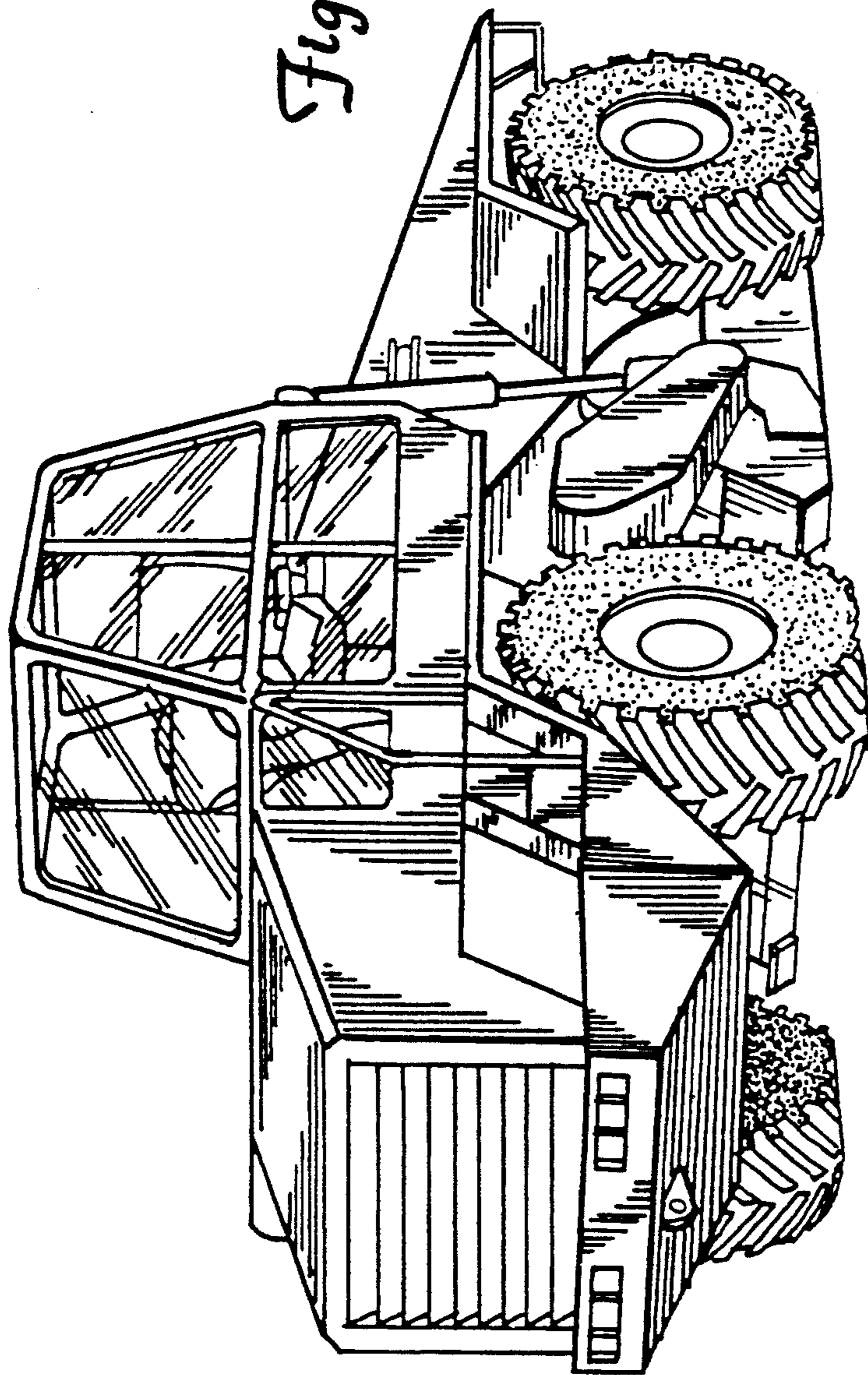


Fig. 2



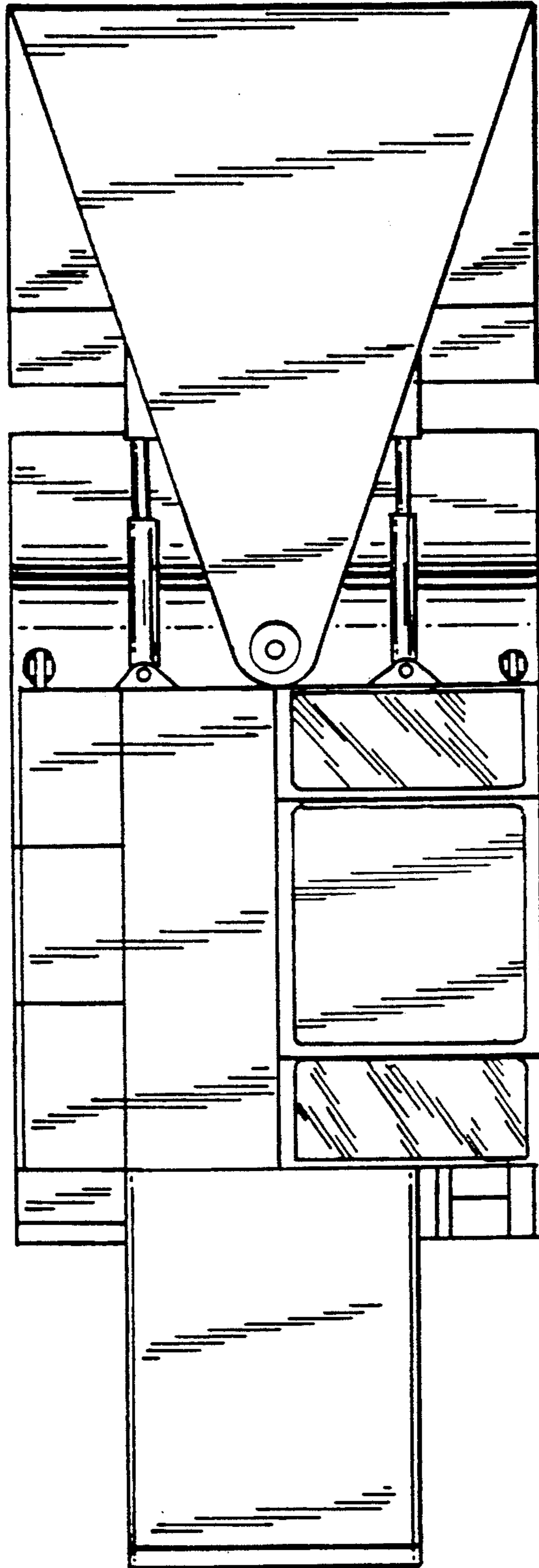


Fig. 3

Fig. 4

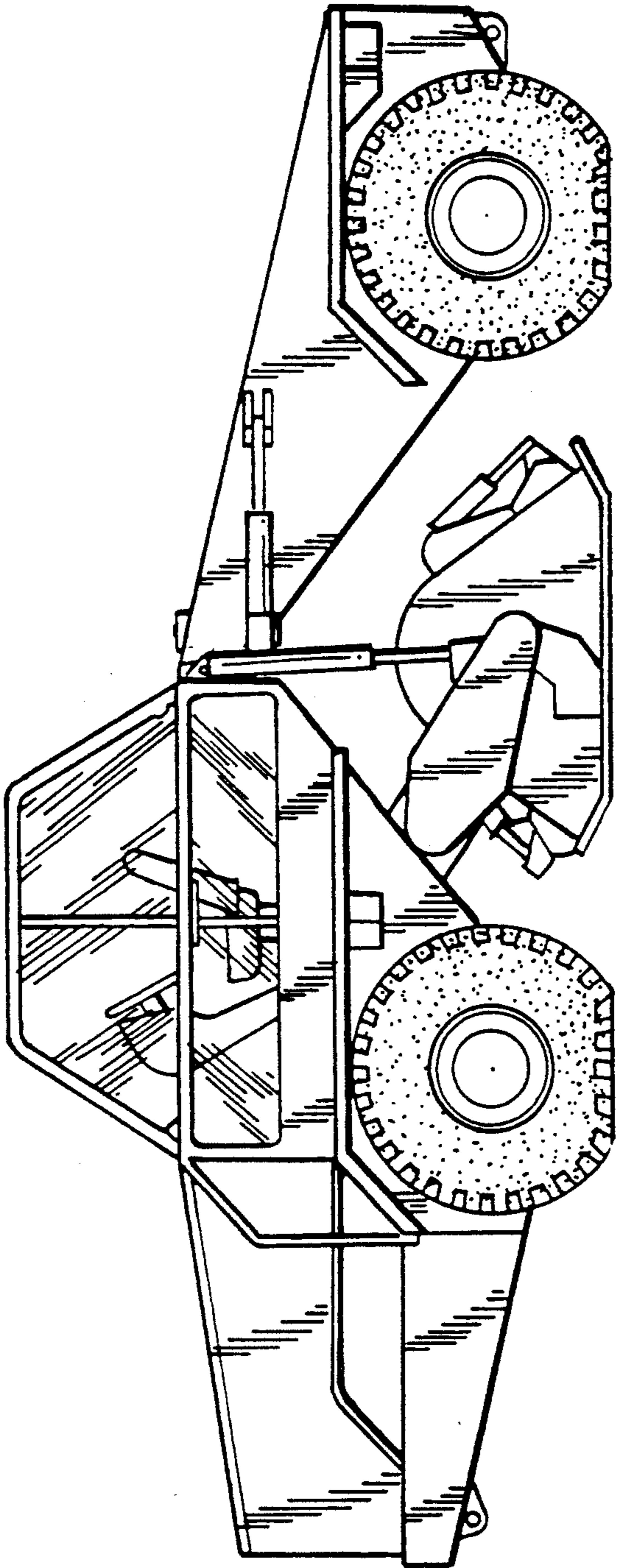


Fig. 5

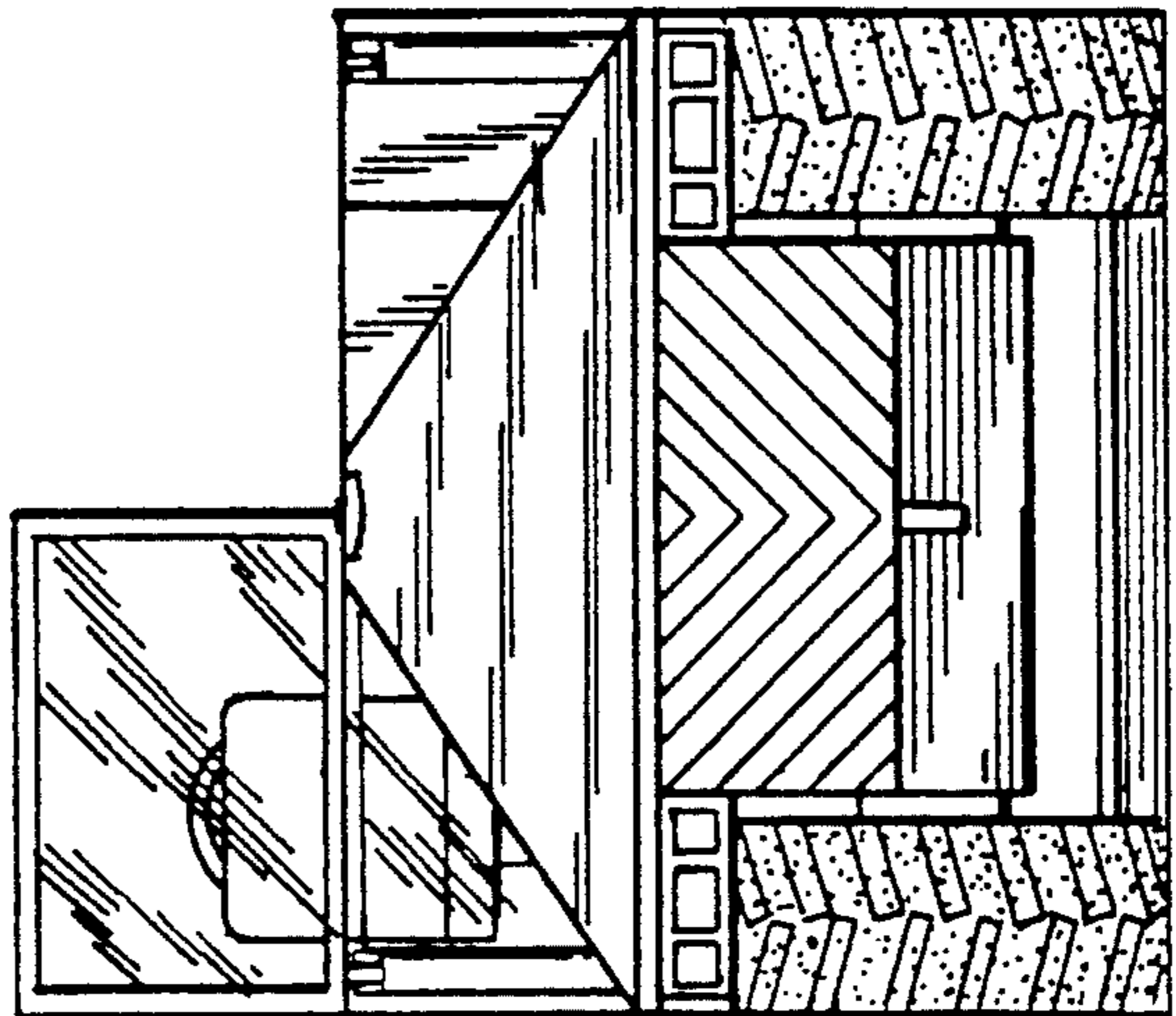


Fig. 6

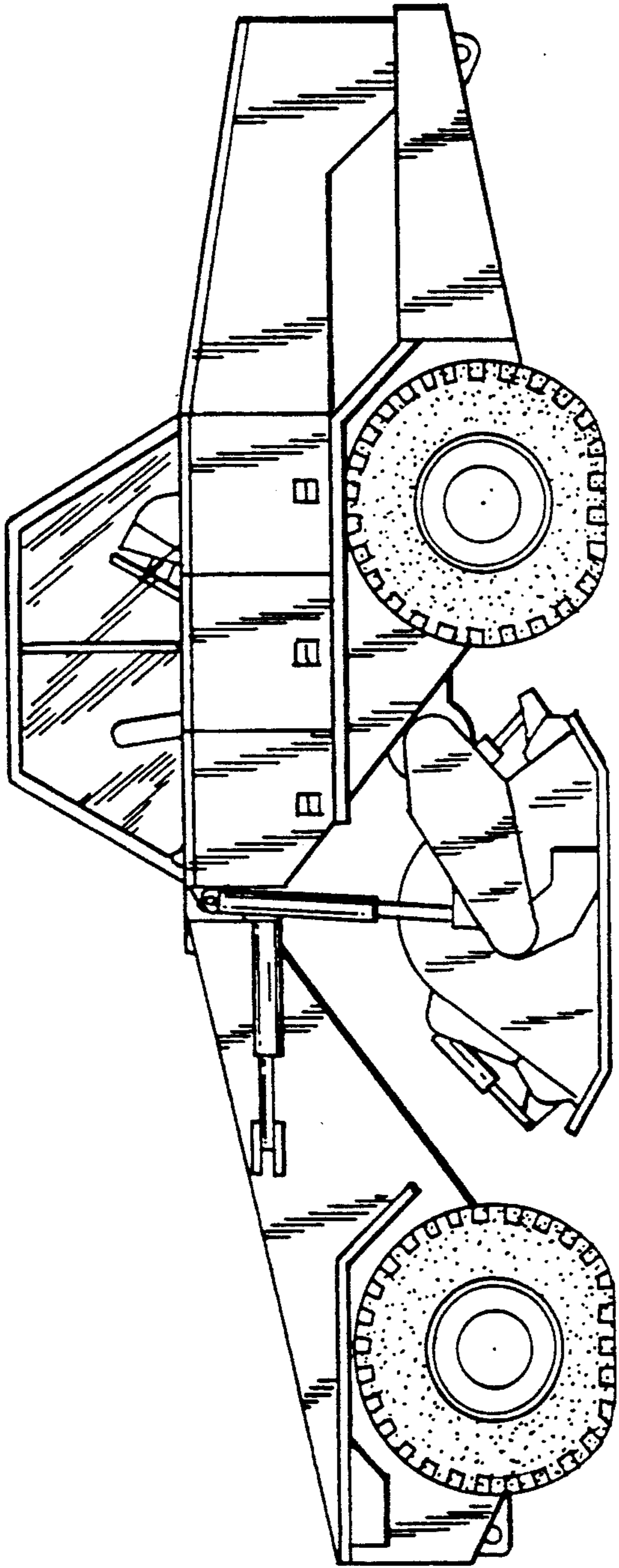


Fig. 7

