



US00D346386S

United States Patent [19]

Brownlie et al.

[11] Patent Number: **Des. 346,386**

[45] Date of Patent: **** Apr. 26, 1994**

[54] ENCLOSURE FOR TELEPHONE CABLE ELECTRICAL CONNECTORS

[75] Inventors: Alan W. Brownlie, Skaneateles, N.Y.;
Scott S. Duesterhoeft, Etters, Pa.;
James W. Robertson, Oberlin, Pa.;
Francis J. Shay, Palmyra, Pa.

[73] Assignee: The Whitaker Corporation,
Wilmington, Del.

[**] Term: 14 Years

[21] Appl. No.: 6,036

[22] Filed: Mar. 18, 1993

[52] U.S. Cl. D14/240; D13/184;
D13/152

[58] Field of Search 174/60; 379/327, 399,
379/442; 361/658; D13/154, 184; D14/240

[56] References Cited

U.S. PATENT DOCUMENTS

D. 269,697	7/1983	Graham et al.	D13/184 X
D. 282,654	2/1996	Perry et al.	D13/41
D. 284,854	7/1986	Vaillant	D14/240
D. 292,089	9/1987	Smith et al.	D14/240
D. 312,244	11/1990	Collins et al.	D13/184 X
D. 320,796	10/1991	Smith	D14/240
4,560,839	12/1985	Dillard	179/81 C
4,623,753	11/1986	Feldman et al.	174/50
4,624,514	11/1986	Smith	379/412
4,742,541	5/1988	Cwirzen et al.	379/412
4,811,168	3/1989	Chestnut et al.	361/399
4,890,318	12/1989	Crane et al.	379/399
5,145,388	9/1992	Brownlie et al.	439/142
5,146,650	9/1992	Robertson	16/259

5,219,302 6/1993 Robertson et al. 439/404

FOREIGN PATENT DOCUMENTS

1193129 5/1965 Fed. Rep. of Germany .

OTHER PUBLICATIONS

C-COR trunk station on p. 20 of CWY Electronics Jun. 1986 catalog. Located in examiner's office.

Serial No. 07/710,310, Brownlie, et al. *Abstract & drawings only enclosed.

AMP Catalog 82257, "AMP Quiet Front Terminal Block", six pages; Sep. 1991; AMP Incorporated, Harrisburg, Pa.

Raychem Product, two photographs, Raychem Corporation, Fugay-Varina, N.C.

Primary Examiner—Wallace R. Burke

Assistant Examiner—J. Sincavage

Attorney, Agent, or Firm—Anton P. Ness

[57] CLAIM

The ornamental design for enclosure for telephone cable electrical connectors, as shown and described.

DESCRIPTION

FIG. 1 is a front perspective view of the enclosure for telephone cable electrical connectors from above thereof;

FIG. 2 is a front perspective view thereof from below thereof;

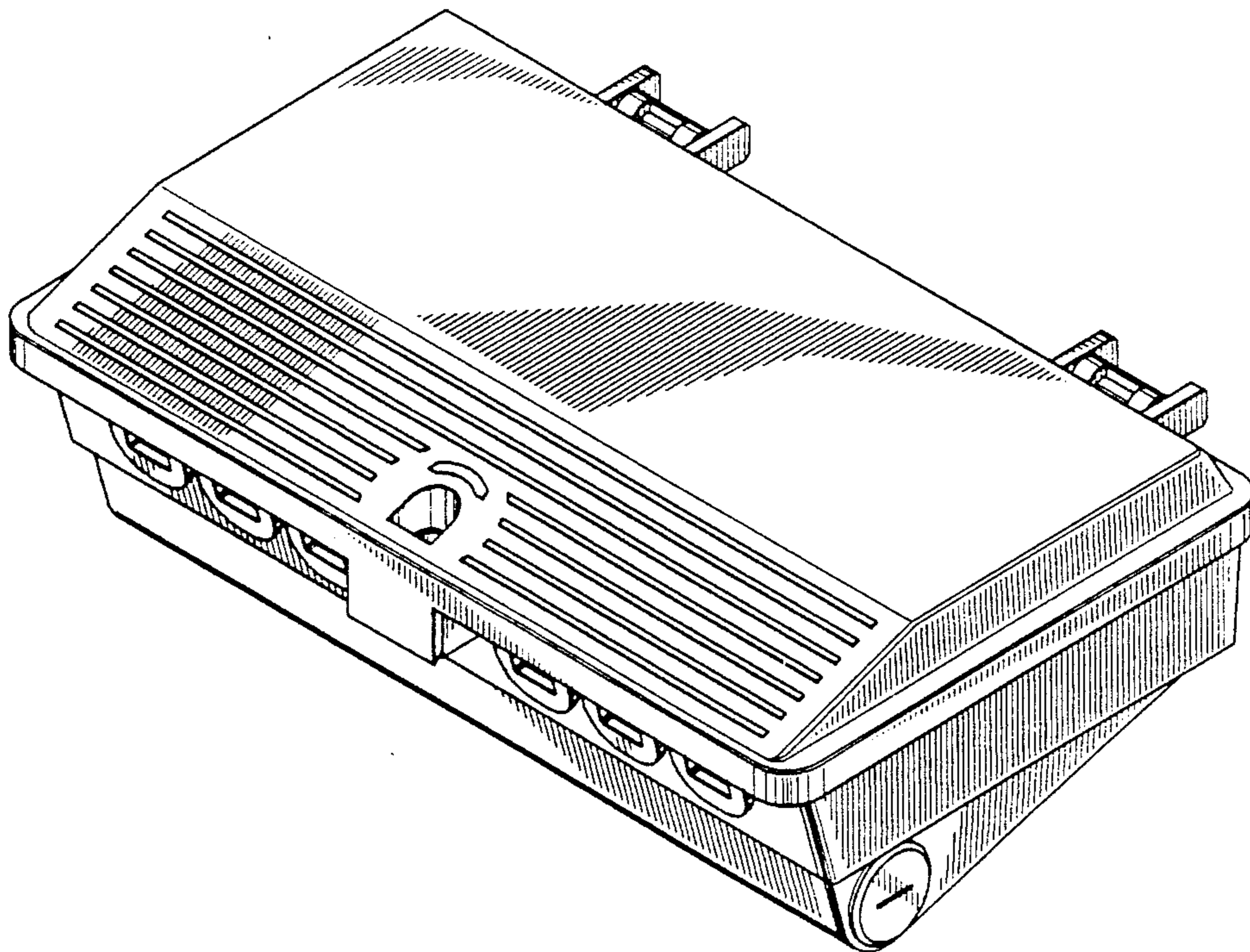
FIG. 3 is a top plan view thereof;

FIG. 4 is a front elevational view thereof;

FIG. 5 is a bottom plan view thereof;

FIG. 6 is a right side elevational view thereof, the left side elevational view thereof being a mirror image; and,

FIG. 7 is a rear elevational view thereof.



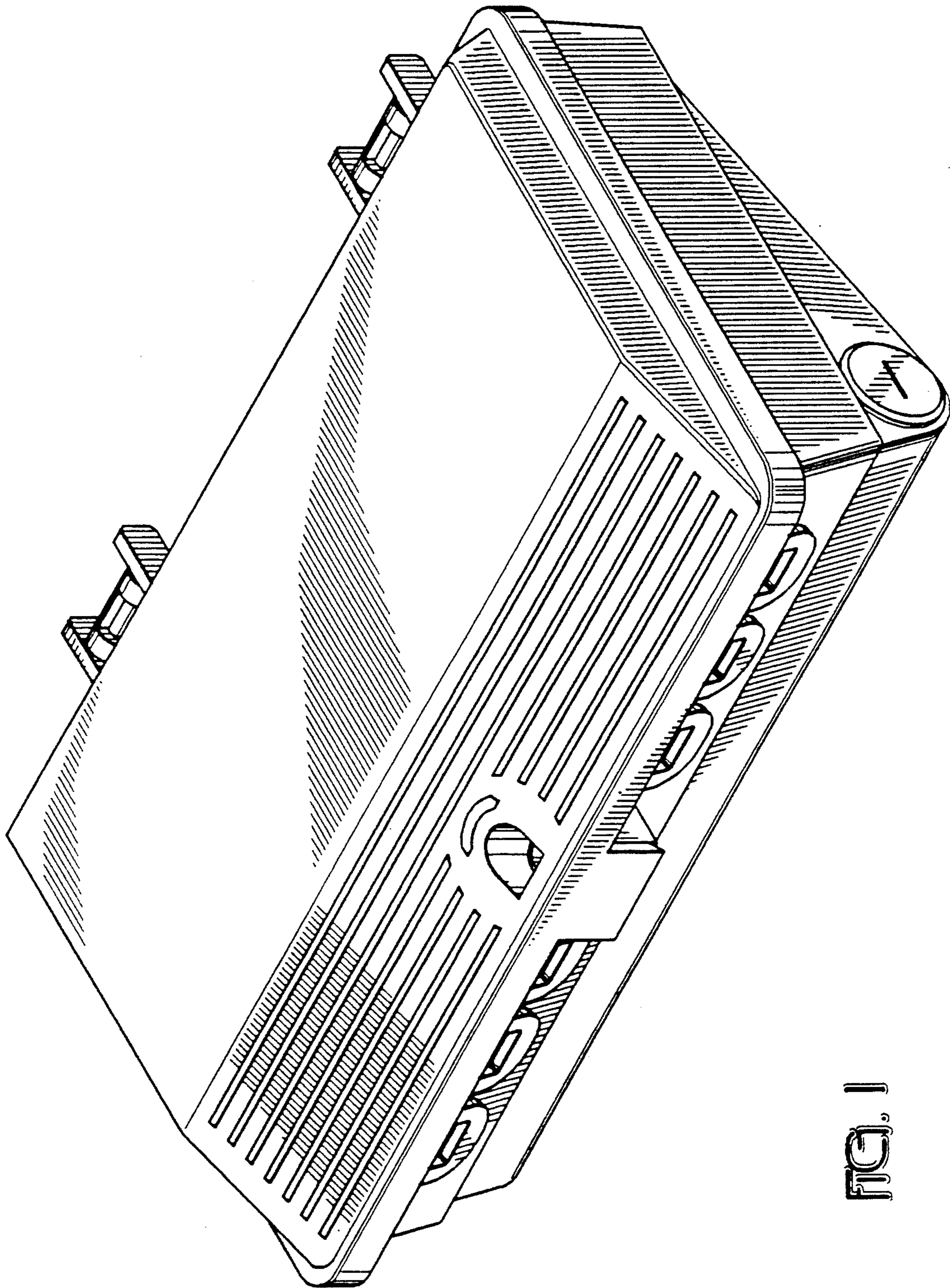


FIG. 1

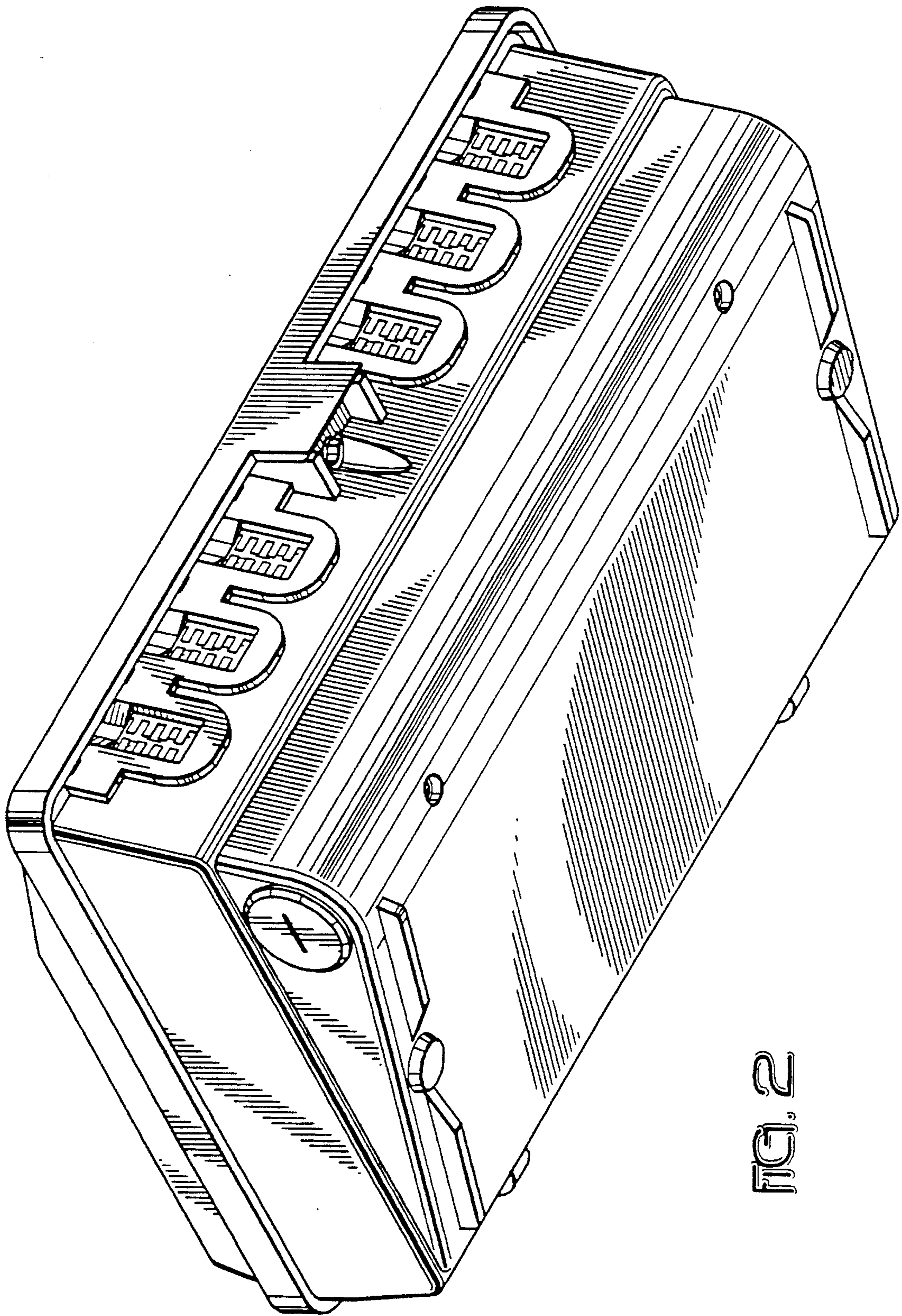
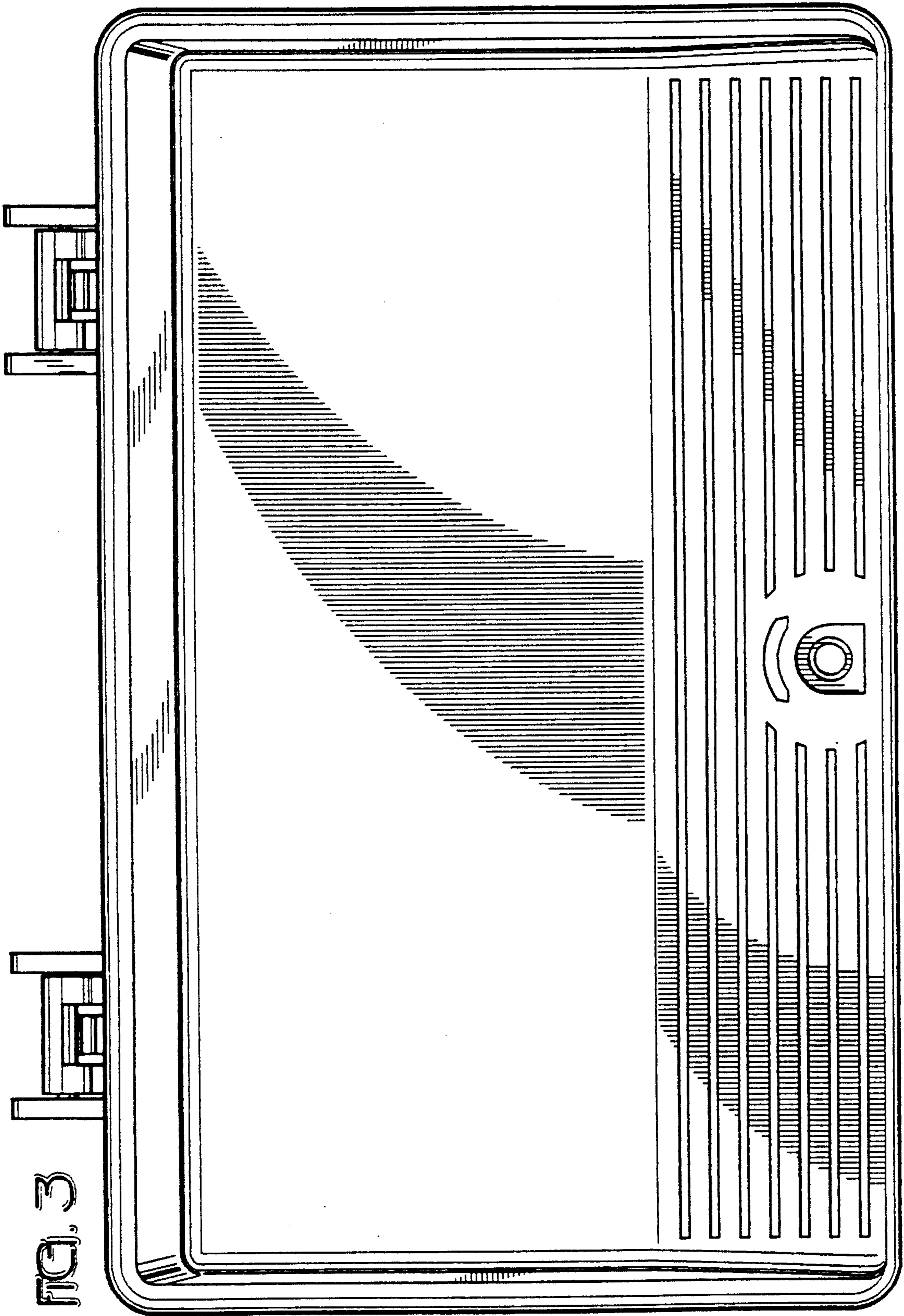


FIG. 2



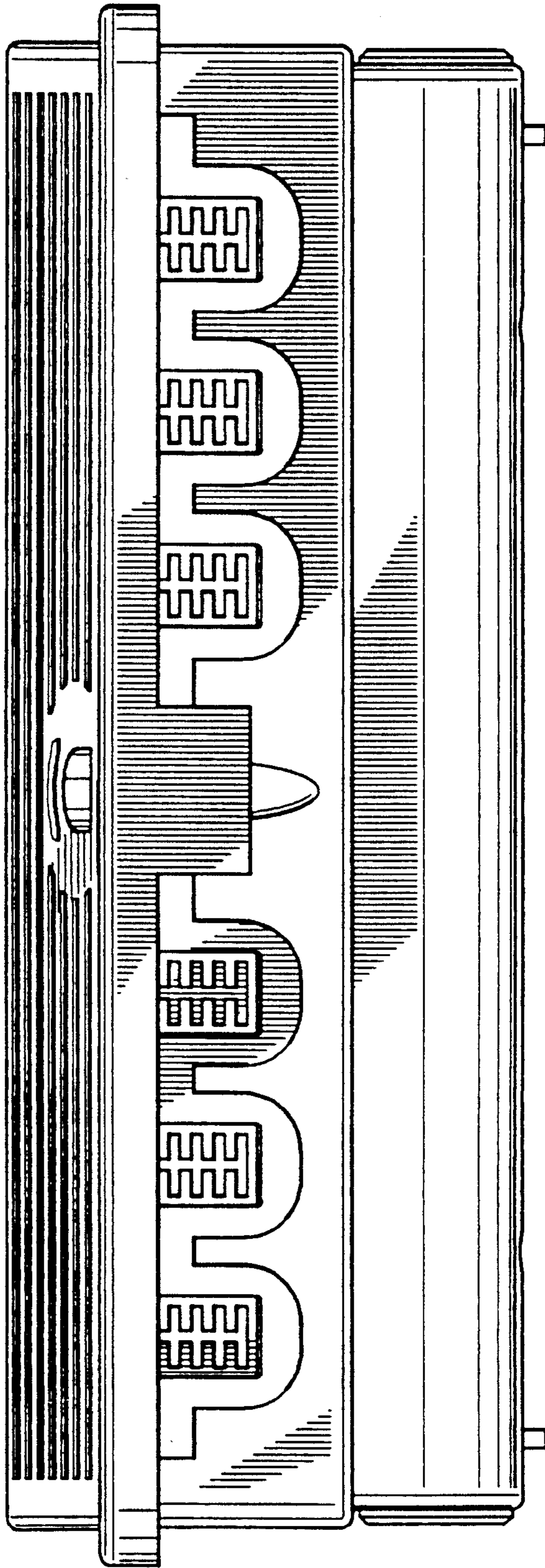


FIG. 4

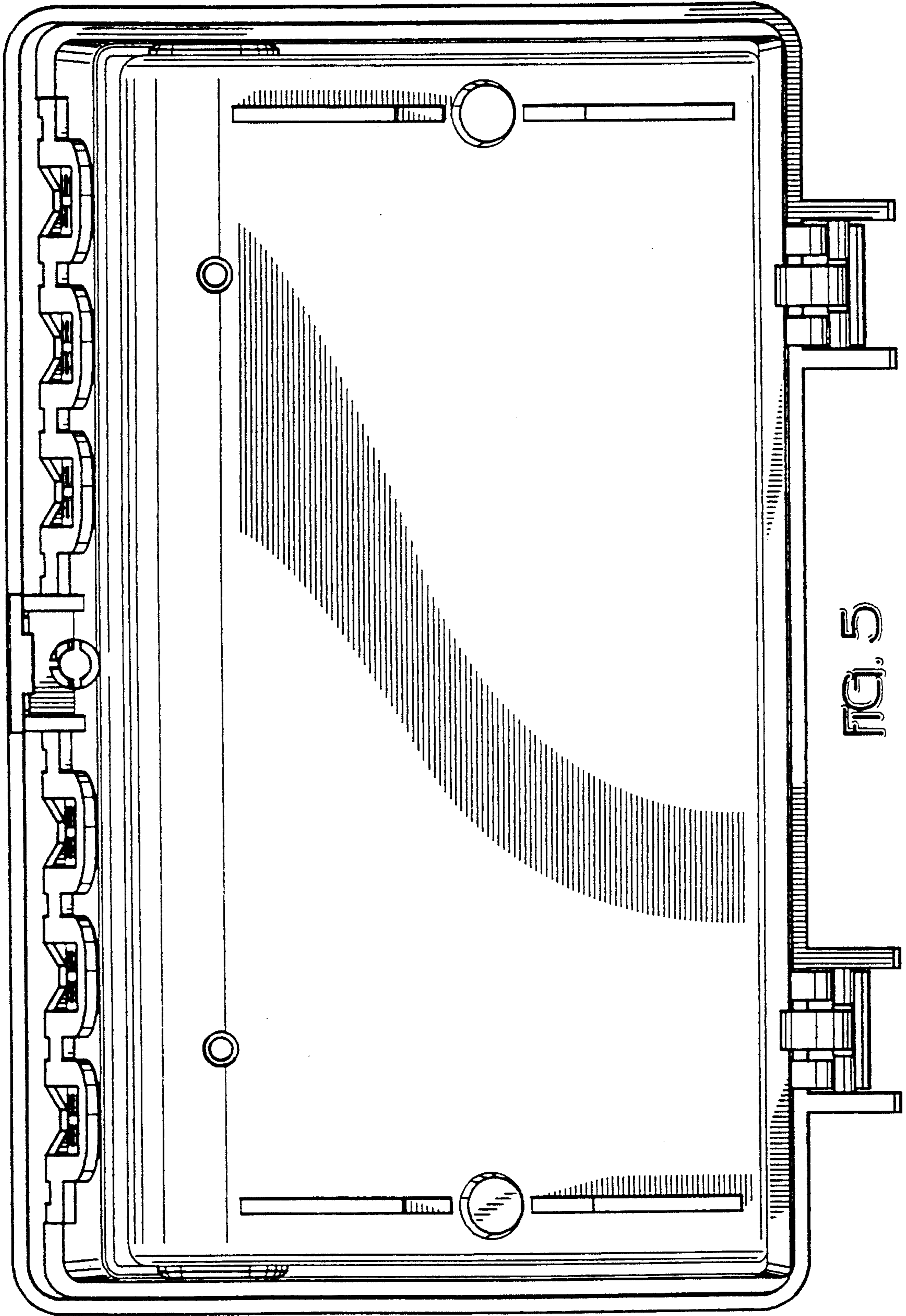


FIG. 5

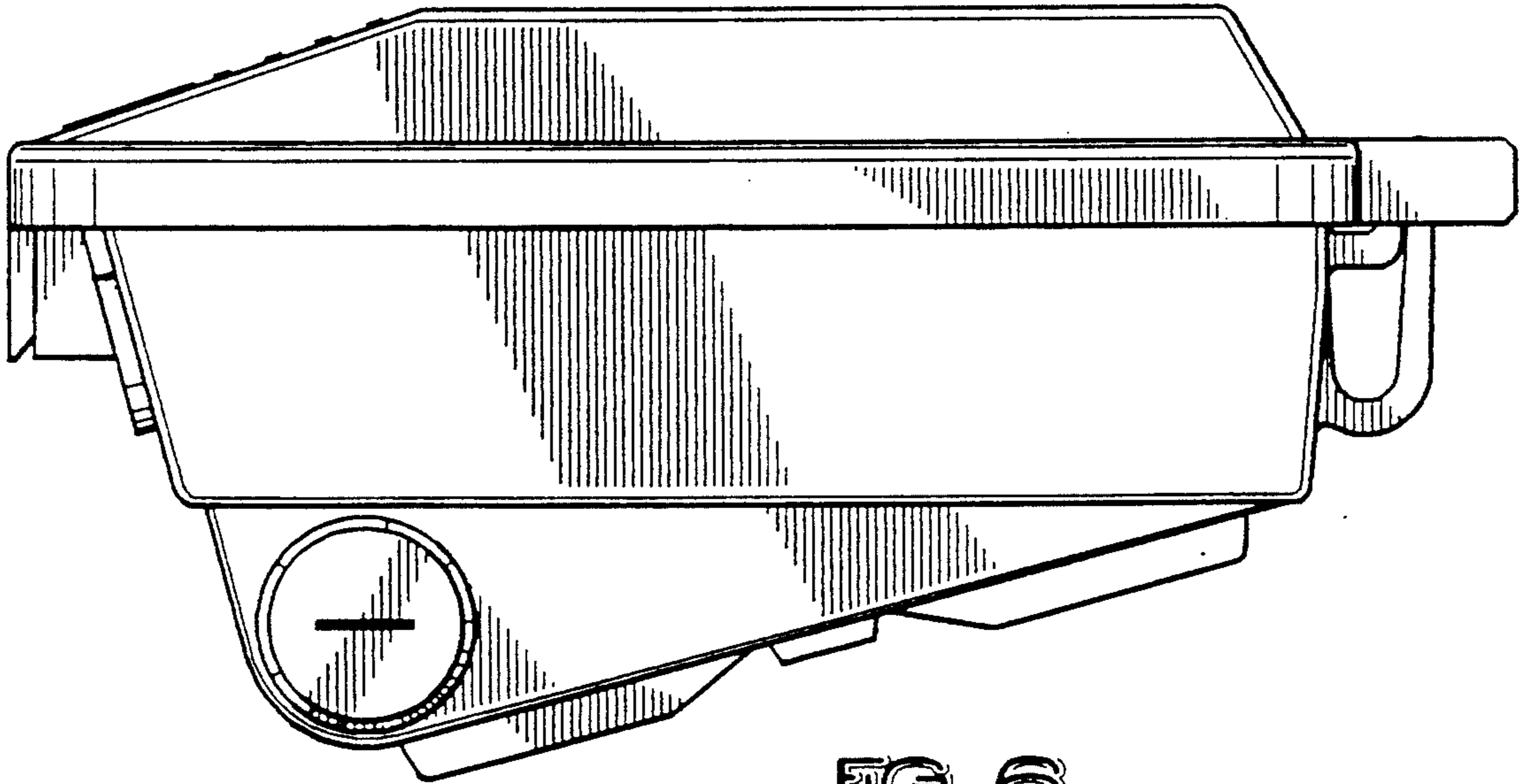


FIG. 6

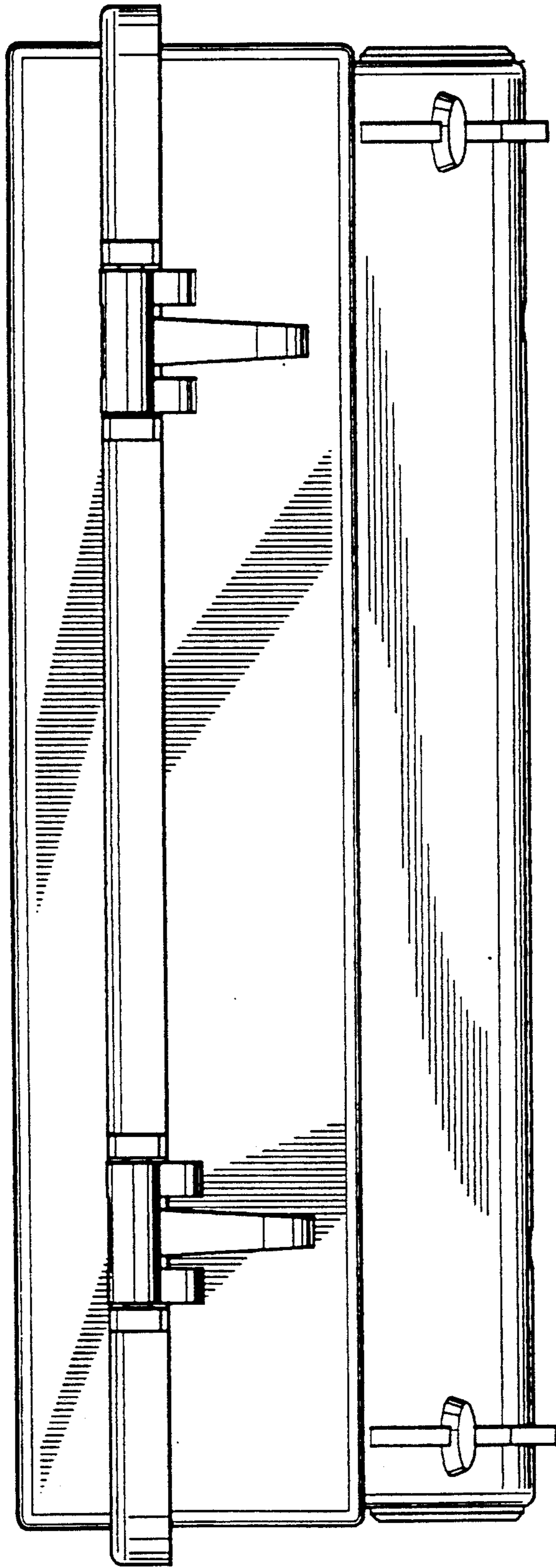


FIG. 7