



US00D346384S

# United States Patent [19]

[11] Patent Number: **Des. 346,384**

Ford et al.

[45] Date of Patent: **\*\* Apr. 26, 1994**

[54] TELEPHONE SET

[75] Inventors: **Gordon D. Ford**, Round Rock; **Daniel F. Marshall**, Manchaca, both of Tex.

[73] Assignee: **ROLM Company**, Santa Clara, Calif.

[\*\*] Term: **14 Years**

[21] Appl. No.: **848,798**

[22] Filed: **Mar. 10, 1992**

[52] U.S. Cl. .... **D14/151**

[58] Field of Search ..... 379/419, 423, 428, 436, 379/440, 368; D14/140, 142, 149-151, 240, 241

[56] **References Cited**

**U.S. PATENT DOCUMENTS**

D. 216,428	1/1970	Bearse .....	D14/151
D. 272,906	3/1984	Heinzelman et al. ....	D14/241
D. 299,343	1/1989	Friedrich .....	D14/241 X
D. 319,642	9/1991	Ando .....	D14/241 X
D. 322,612	12/1991	Abrams .....	D14/151 X
D. 334,751	4/1993	Westwood .....	D14/142 X
4,782,522	11/1988	Kramer et al. ....	D14/142 X
4,790,004	12/1988	Nalbone .....	D14/142 X

**OTHER PUBLICATIONS**

NEC Brochure, at lower center.

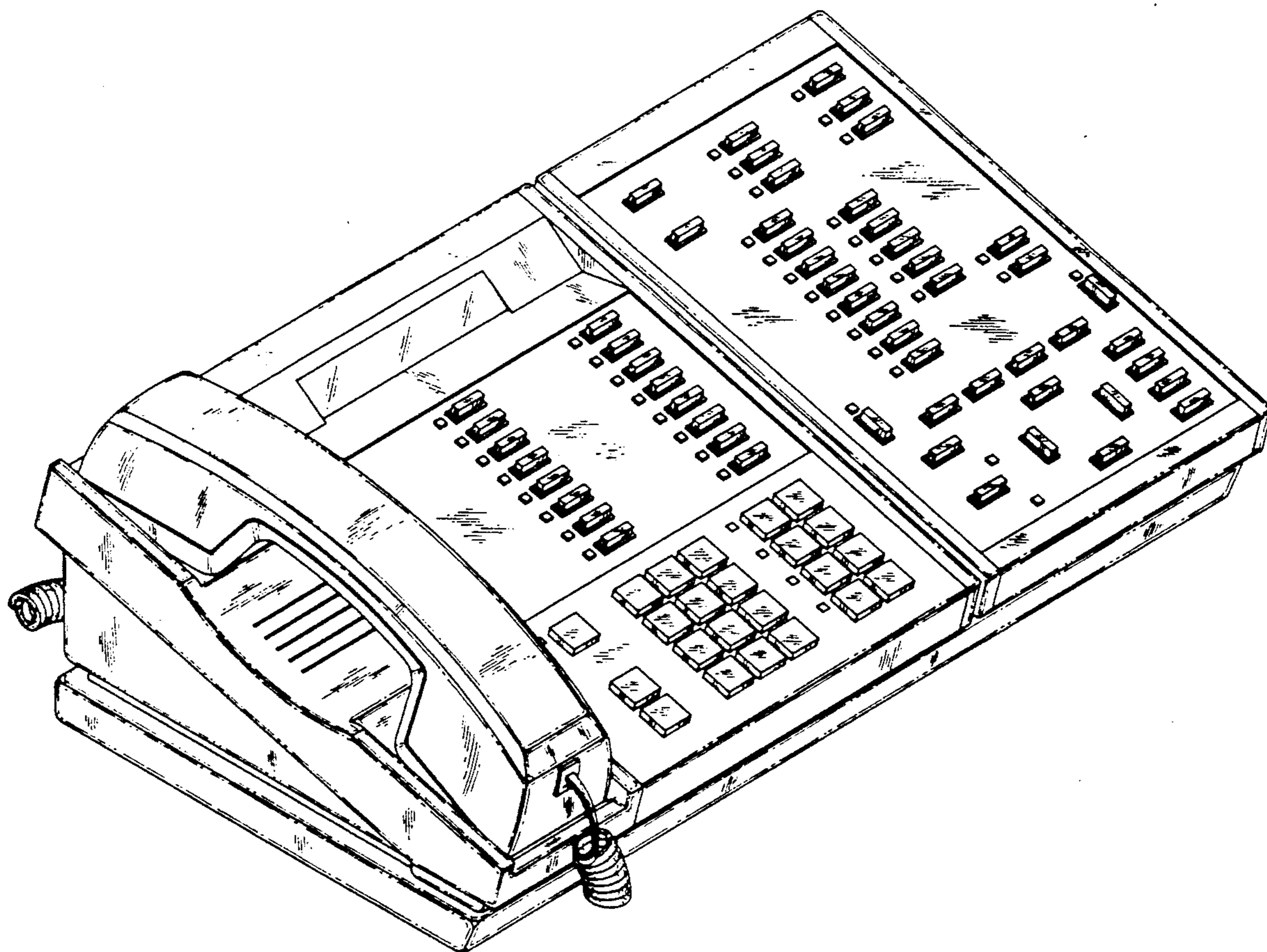
*Primary Examiner*—Alan P. Douglas  
*Assistant Examiner*—Jeffrey Asch  
*Attorney, Agent, or Firm*—Michael B. Einschlag

[57] **CLAIM**

The ornamental design for a telephone set, as shown and described.

**DESCRIPTION**

FIG. 1 is a perspective view of a telephone set showing our new design;  
 FIG. 2 is an exploded perspective view, wherein the telephone has been shown removed from the base;  
 FIG. 3 is a front elevational view;  
 FIG. 4 is a top plan view with the handset omitted for convenience of illustration;  
 FIG. 5 is a right side elevational view;  
 FIG. 6 is a left side elevational view;  
 FIG. 7 is a rear elevational view;  
 FIG. 8 is a bottom plan view;  
 FIG. 9 is a right side elevational view of the telephone without the base;  
 FIG. 10 is a bottom plan view of the telephone without the base; and,  
 FIG. 11 is a left side elevational view thereof showing the base without the telephone.  
 The telephone cord shown broken away in FIG. 1-9 is continuous throughout.



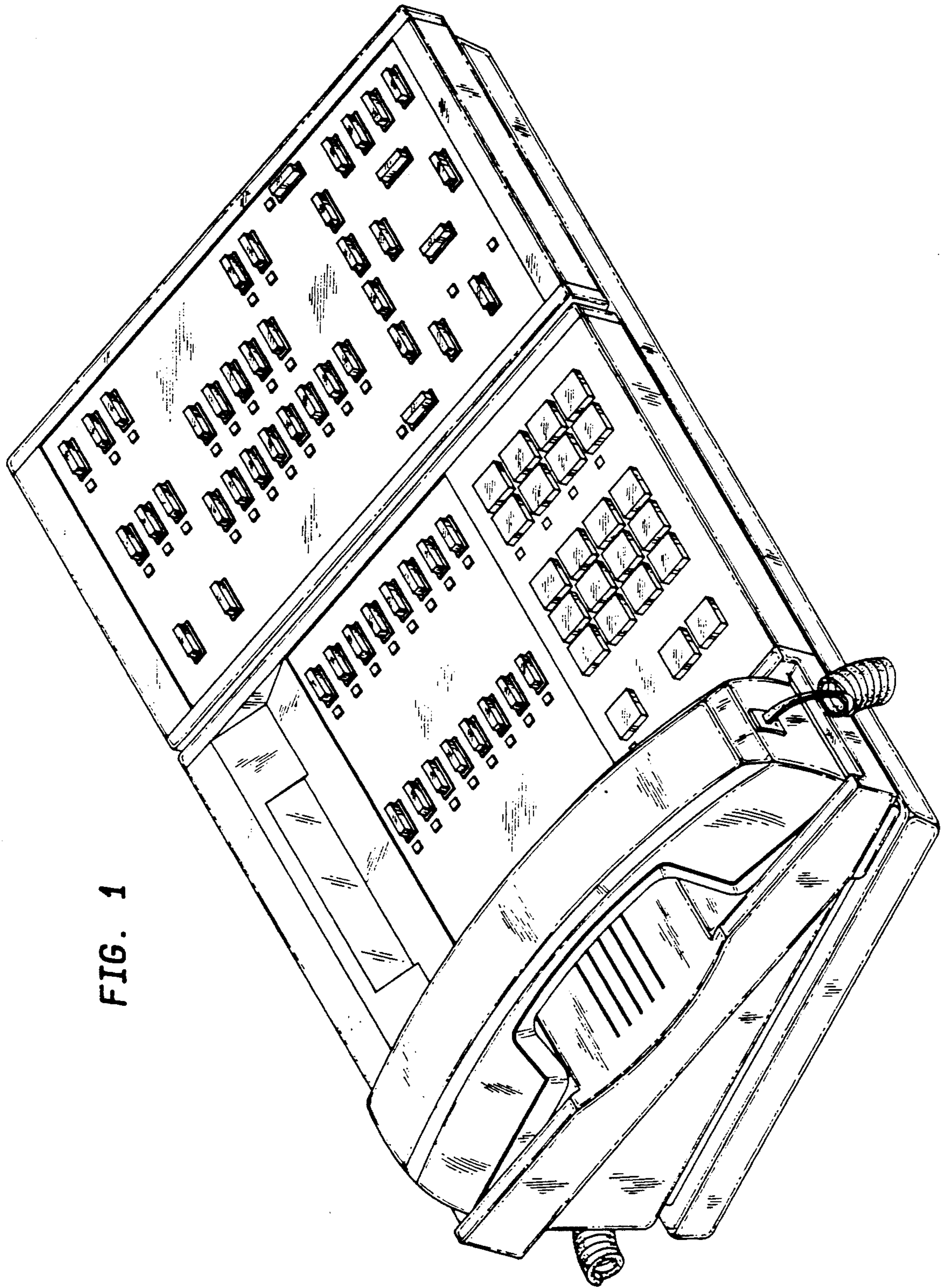


FIG. 1

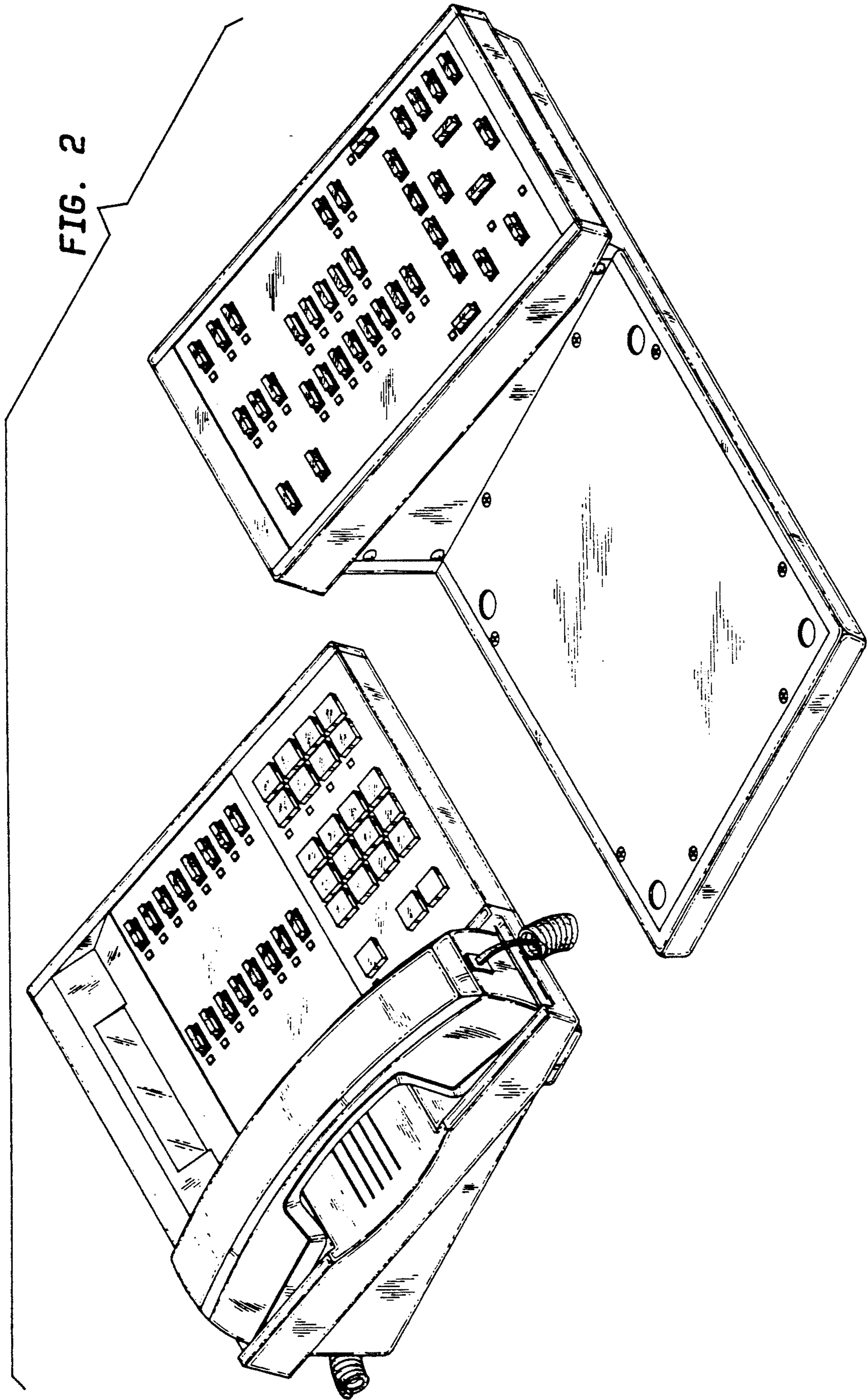


FIG. 3

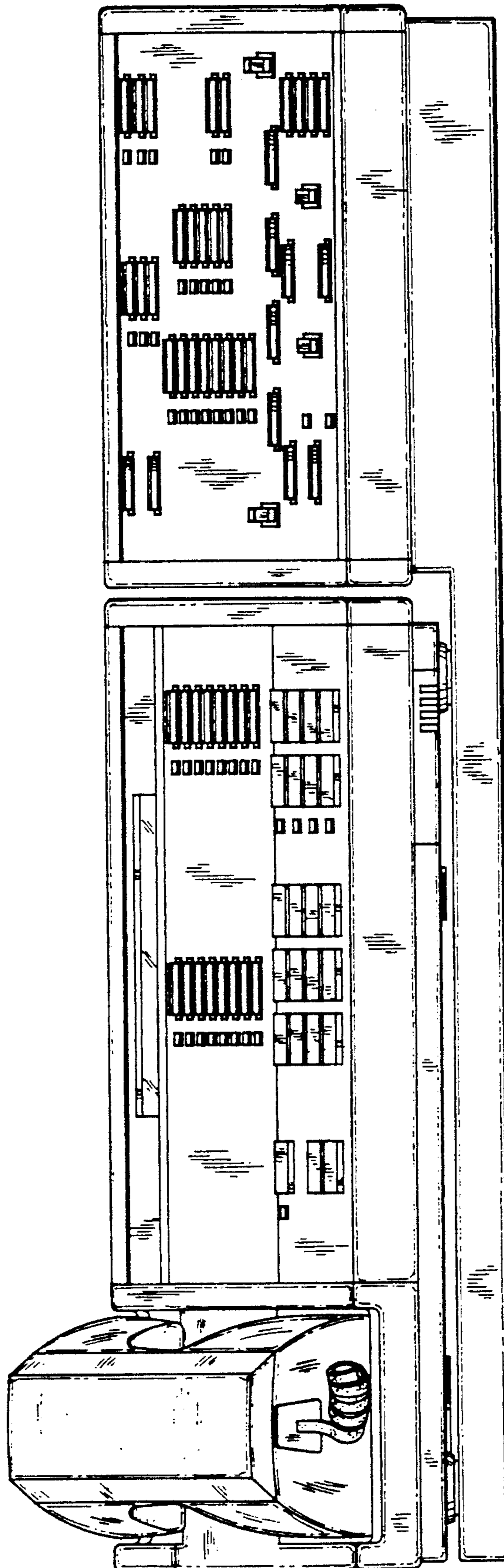


FIG. 4

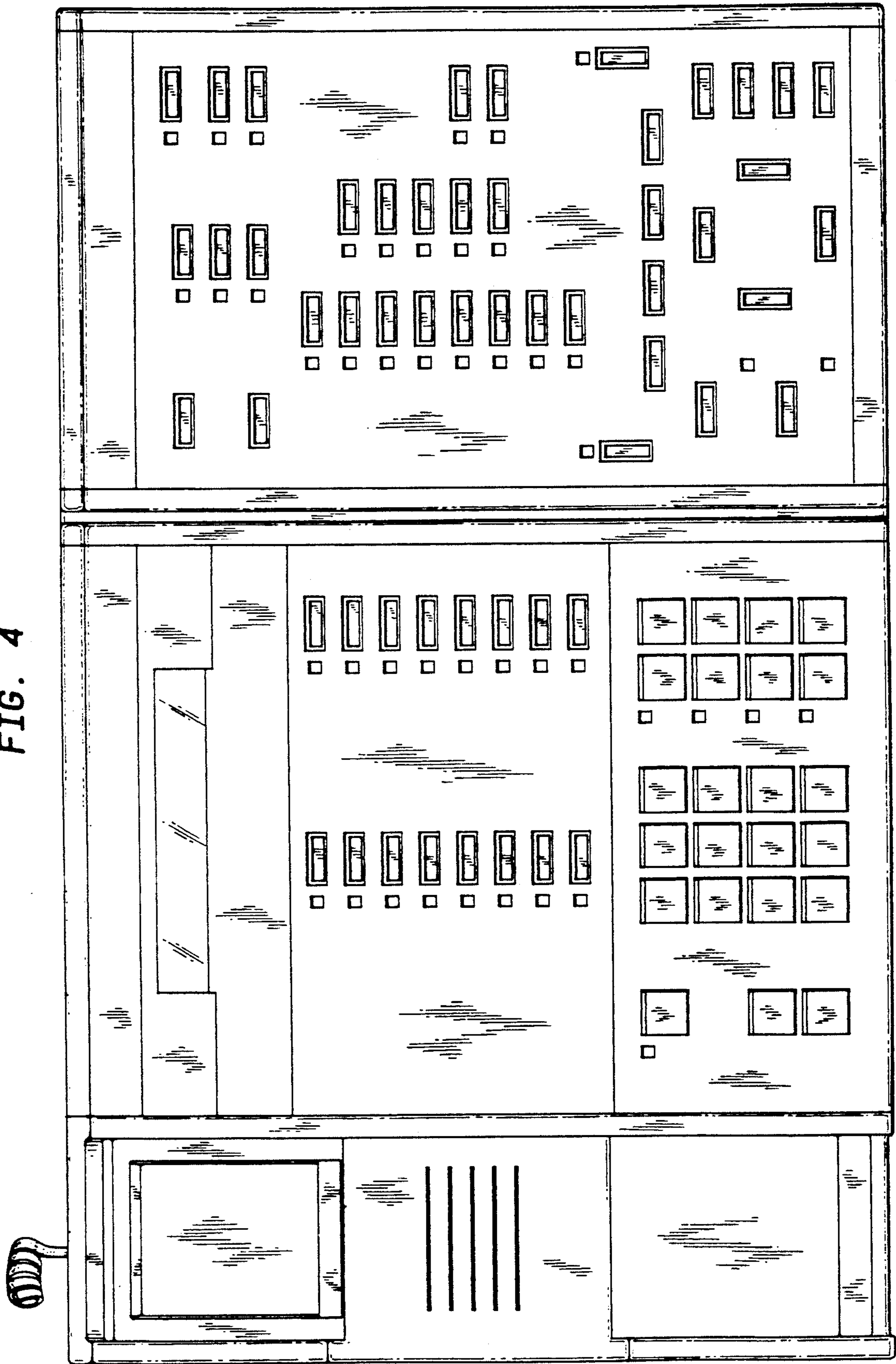


FIG. 5

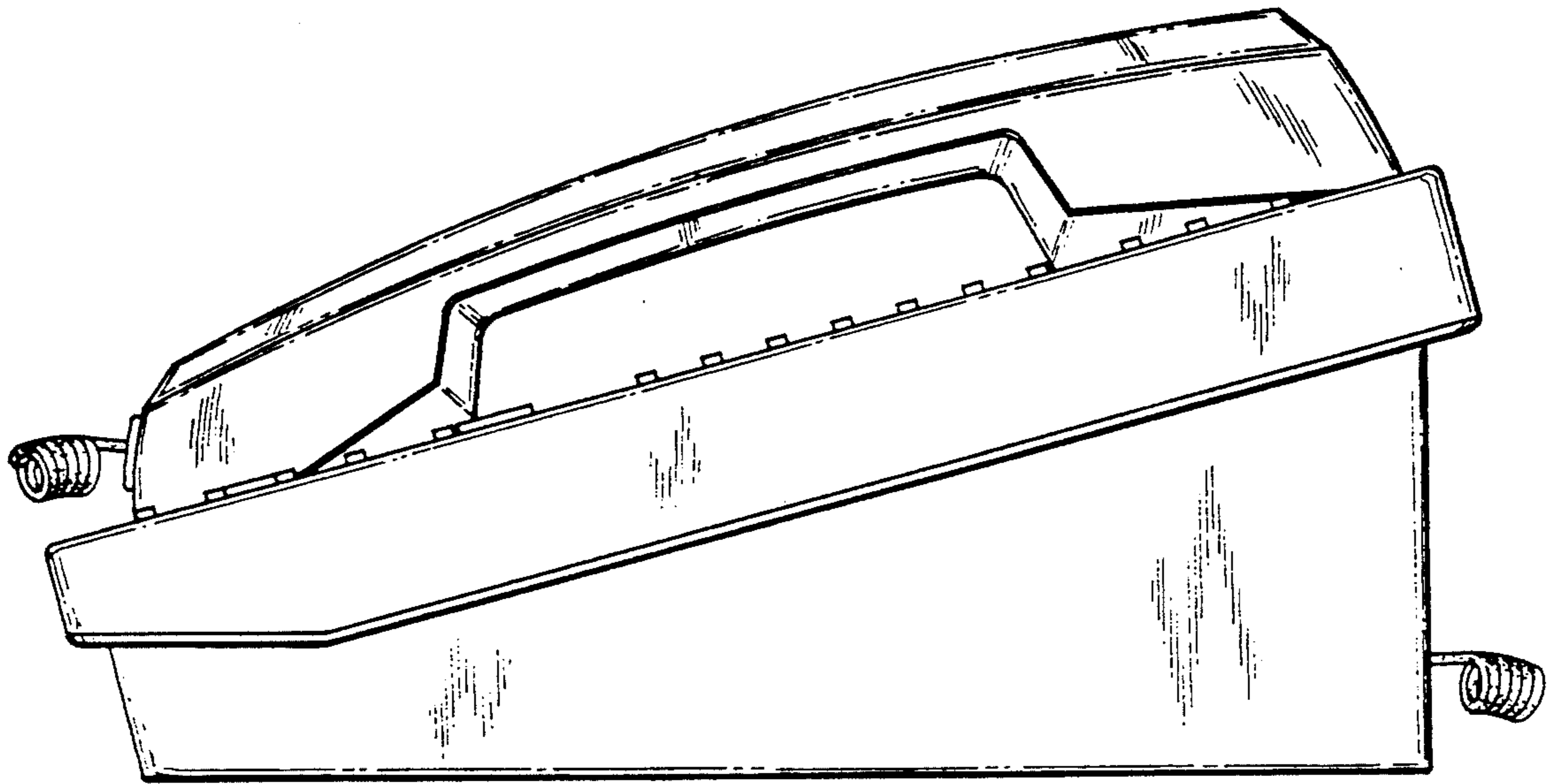


FIG. 6

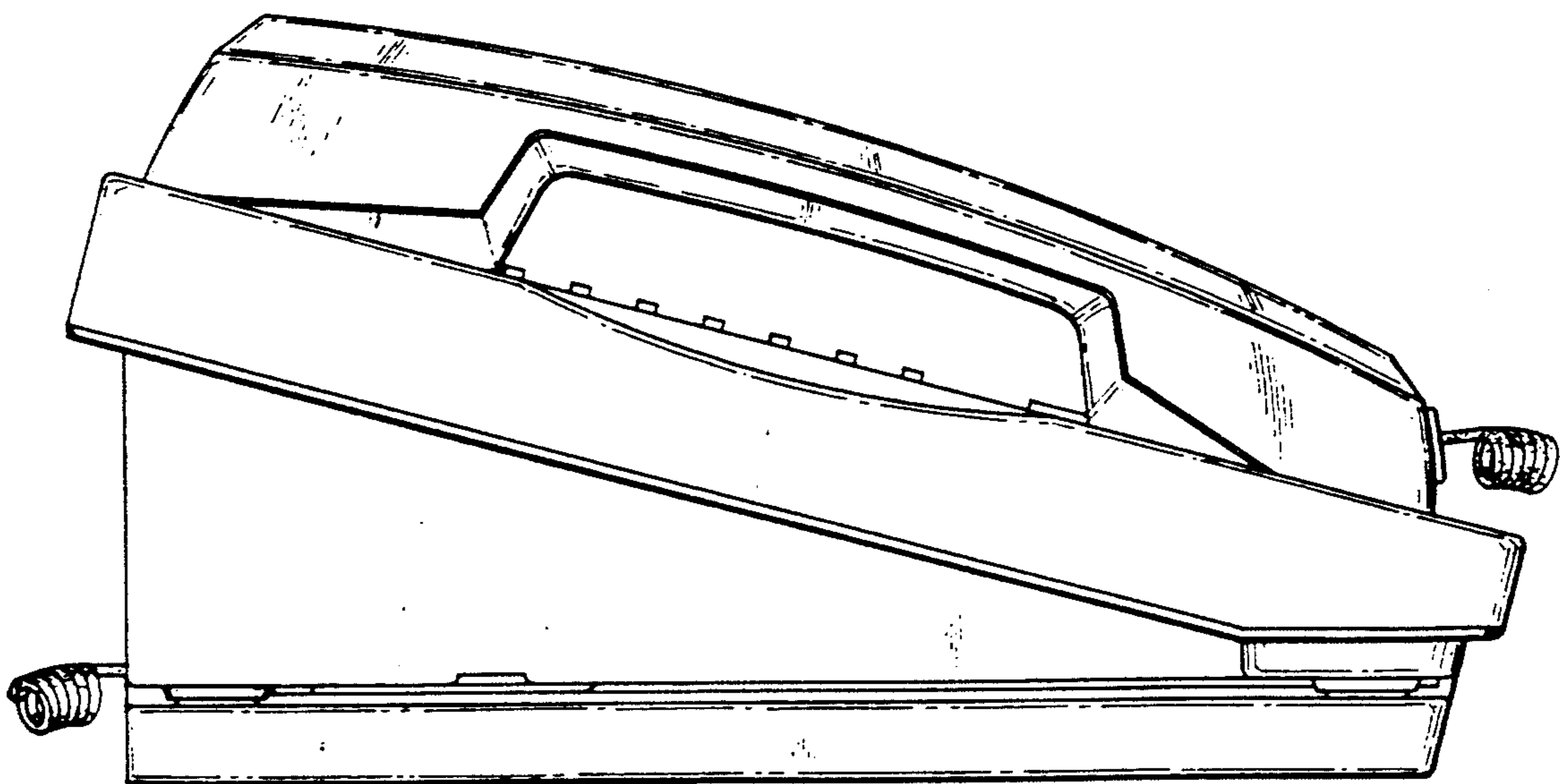


FIG. 7



FIG. 8

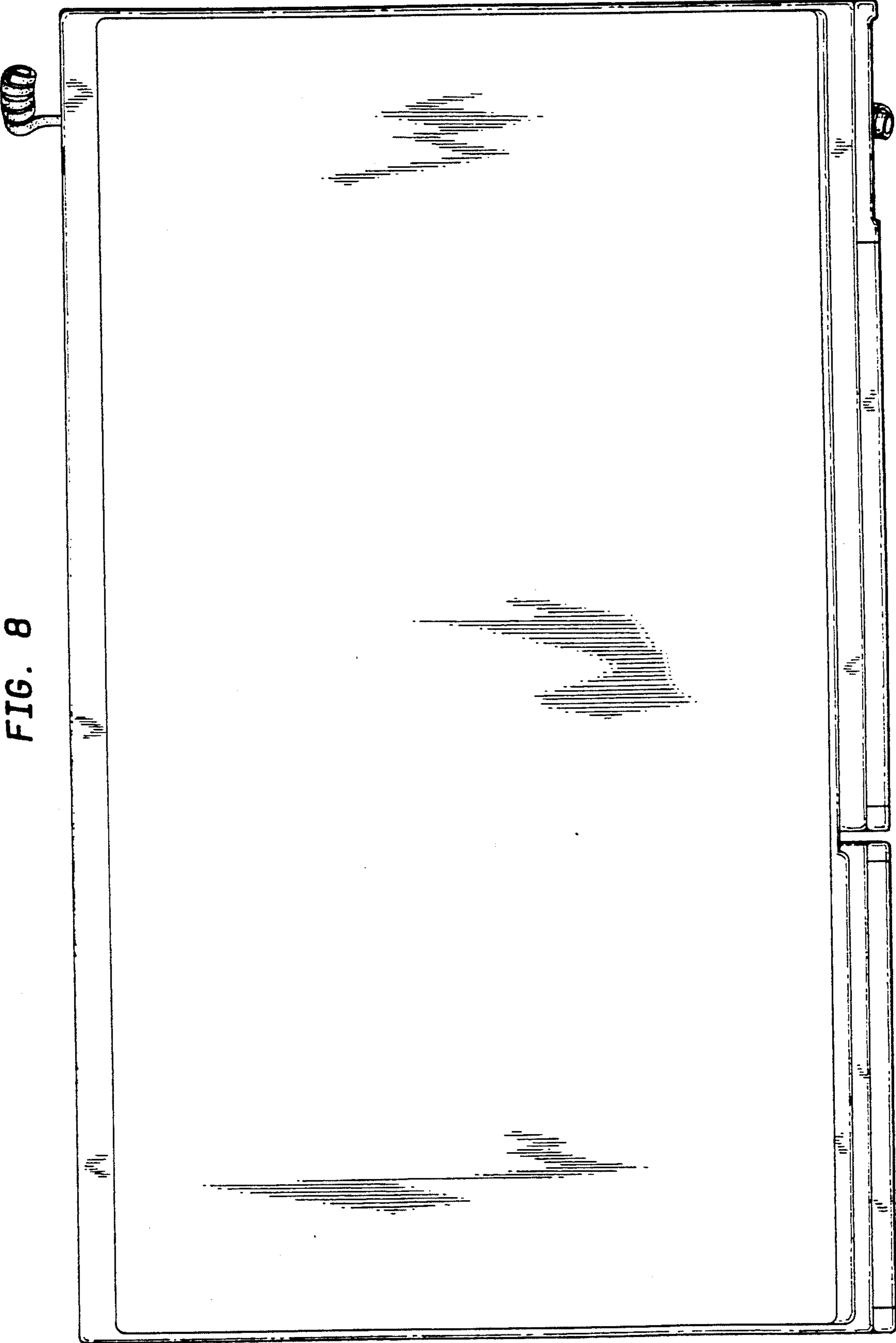




FIG. 9

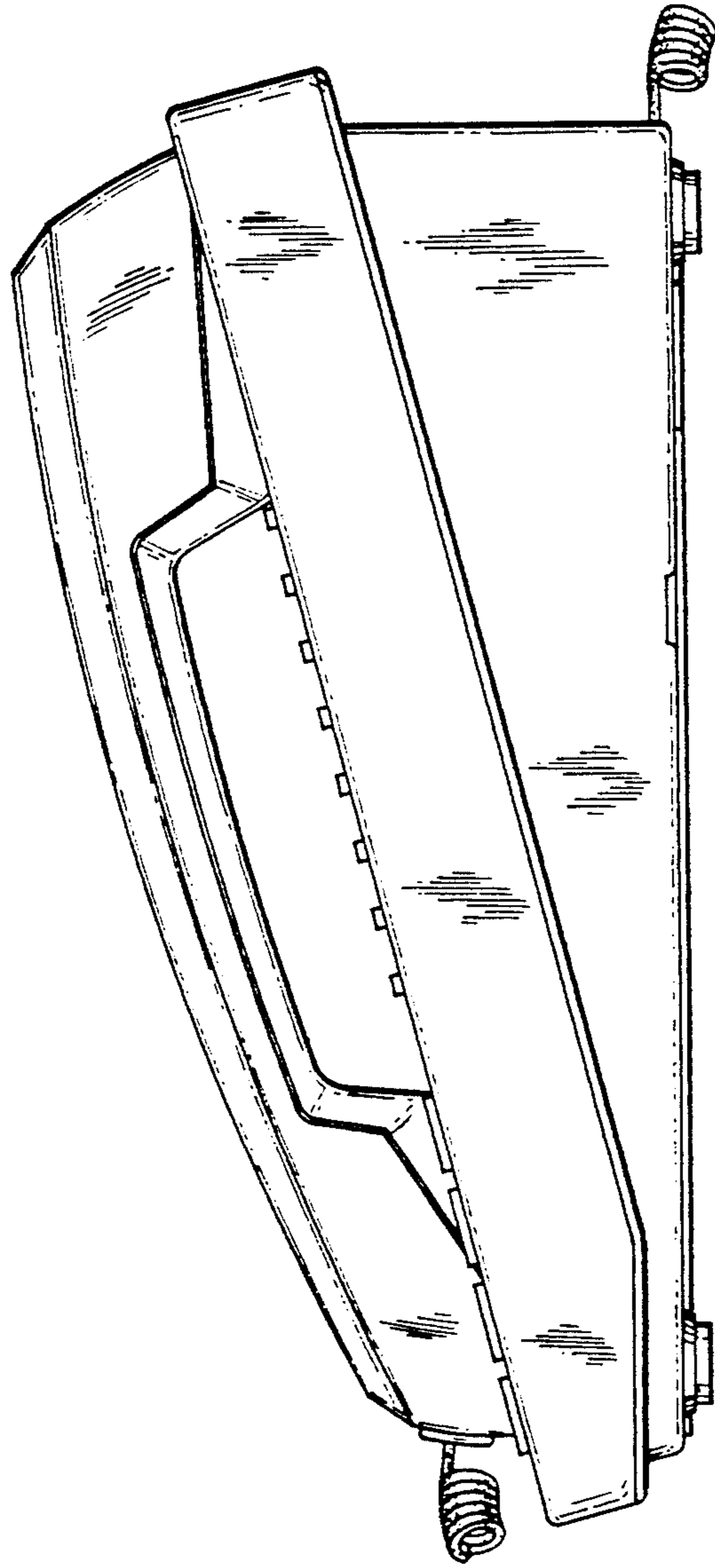


FIG. 10

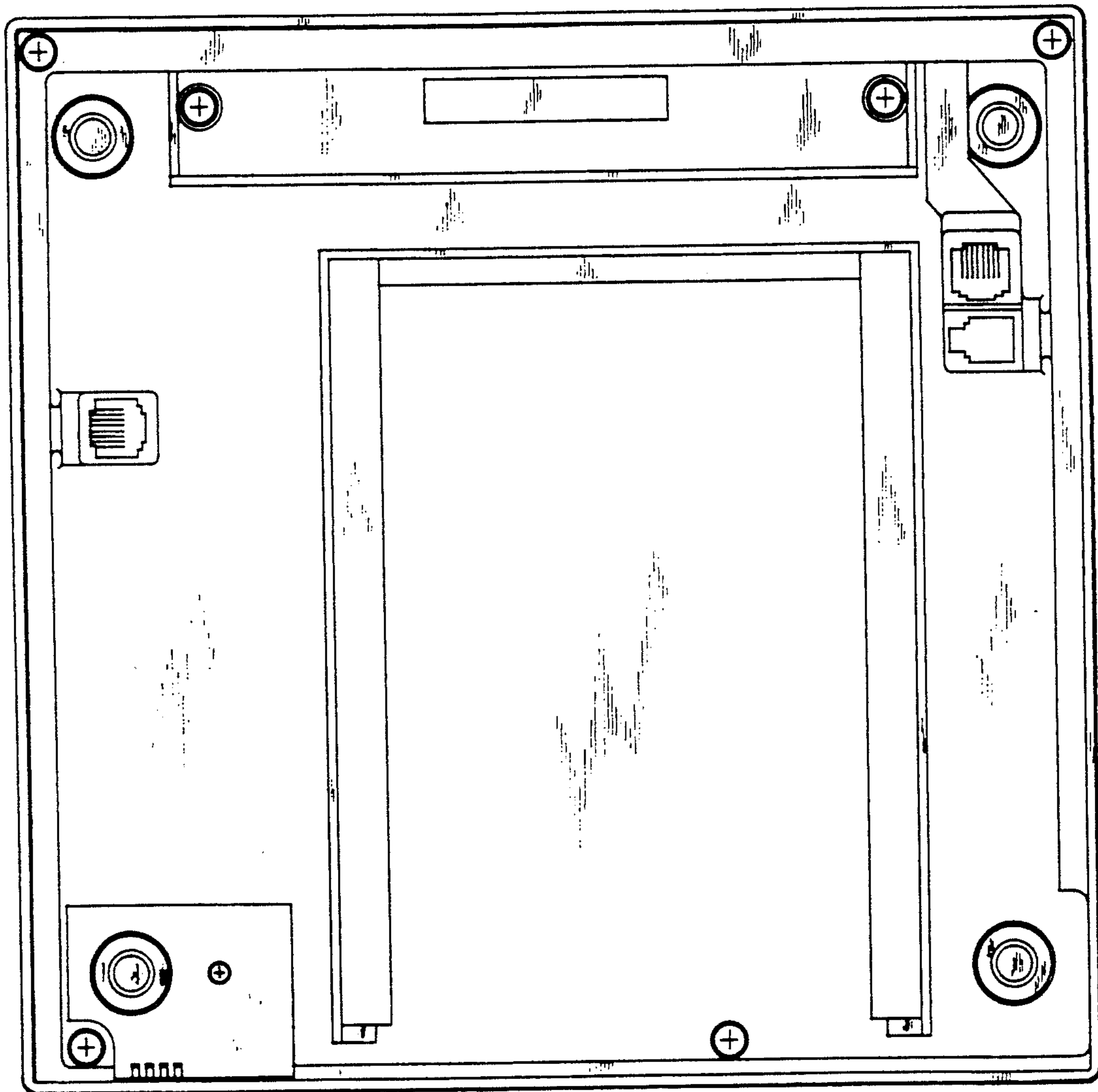


FIG. 11

