



US00D346378S

United States Patent [19] Smylie

[11] Patent Number: **Des. 346,378**
[45] Date of Patent: **** Apr. 26, 1994**

[54] **REMOTE FACSIMILE MACHINE MONITOR**

[76] Inventor: **Jack W. Smylie**, 23241 Purdue,
Farmington Hills, Mich. 48336

[**] Term: **14 Years**

[21] Appl. No.: **873,052**

[22] Filed: **Apr. 24, 1992**

[52] U.S. Cl. **D14/118; D13/147;**
D14/256

[58] Field of Search 358/400-404;
379/441; D14/116, 118, 124, 299, 256;
D13/146, 147, 162

[56] **References Cited**

U.S. PATENT DOCUMENTS

- D. 305,230 12/1989 Math D14/299 X
- D. 312,070 11/1990 Benjamin et al. D13/147
- D. 327,055 6/1992 Derbyshire D14/256 X
- D. 328,459 8/1992 Prince, III D13/162 X

- D. 336,302 6/1993 Kwang et al. D14/299
- 4,788,714 11/1988 Hashimoto .
- 4,811,111 3/1989 Kurokawa .
- 4,813,067 3/1989 Hashimoto .

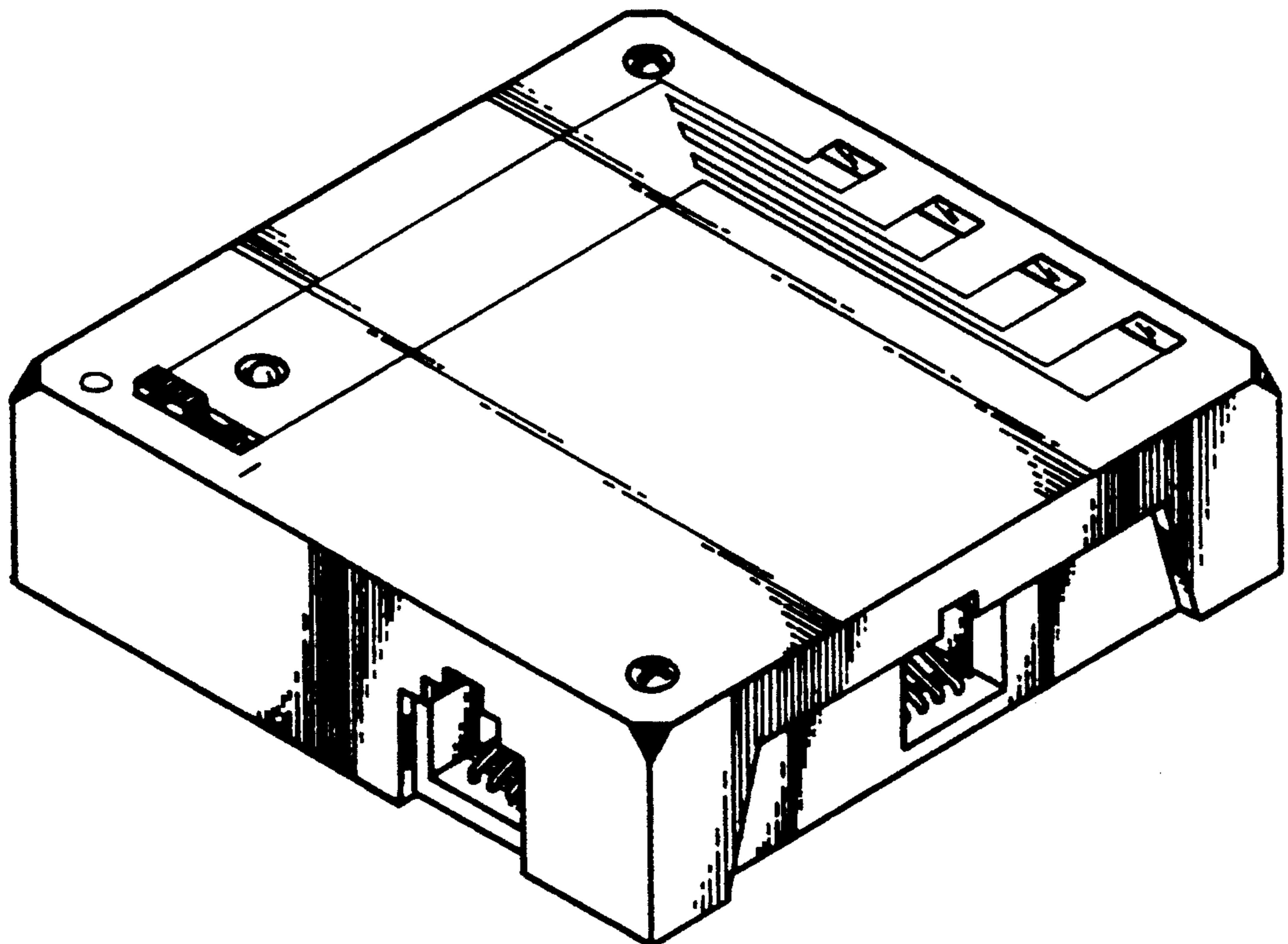
Primary Examiner—Theodore M. Shooman
Attorney, Agent, or Firm—Terry M. Gernstein

[57] **CLAIM**

The ornamental design for a remote facsimile machine monitor, as shown and described.

DESCRIPTION

FIG. 1 is a perspective view of the remote facsimile machine monitor embodying the design of the present invention;
FIG. 2 is a front elevational view thereof;
FIG. 3 is a rear elevational view thereof;
FIG. 4 is a side elevational view thereof;
FIG. 5 is a side elevational view thereof;
FIG. 6 is a top plan view thereof; and,
FIG. 7 is a bottom view thereof.



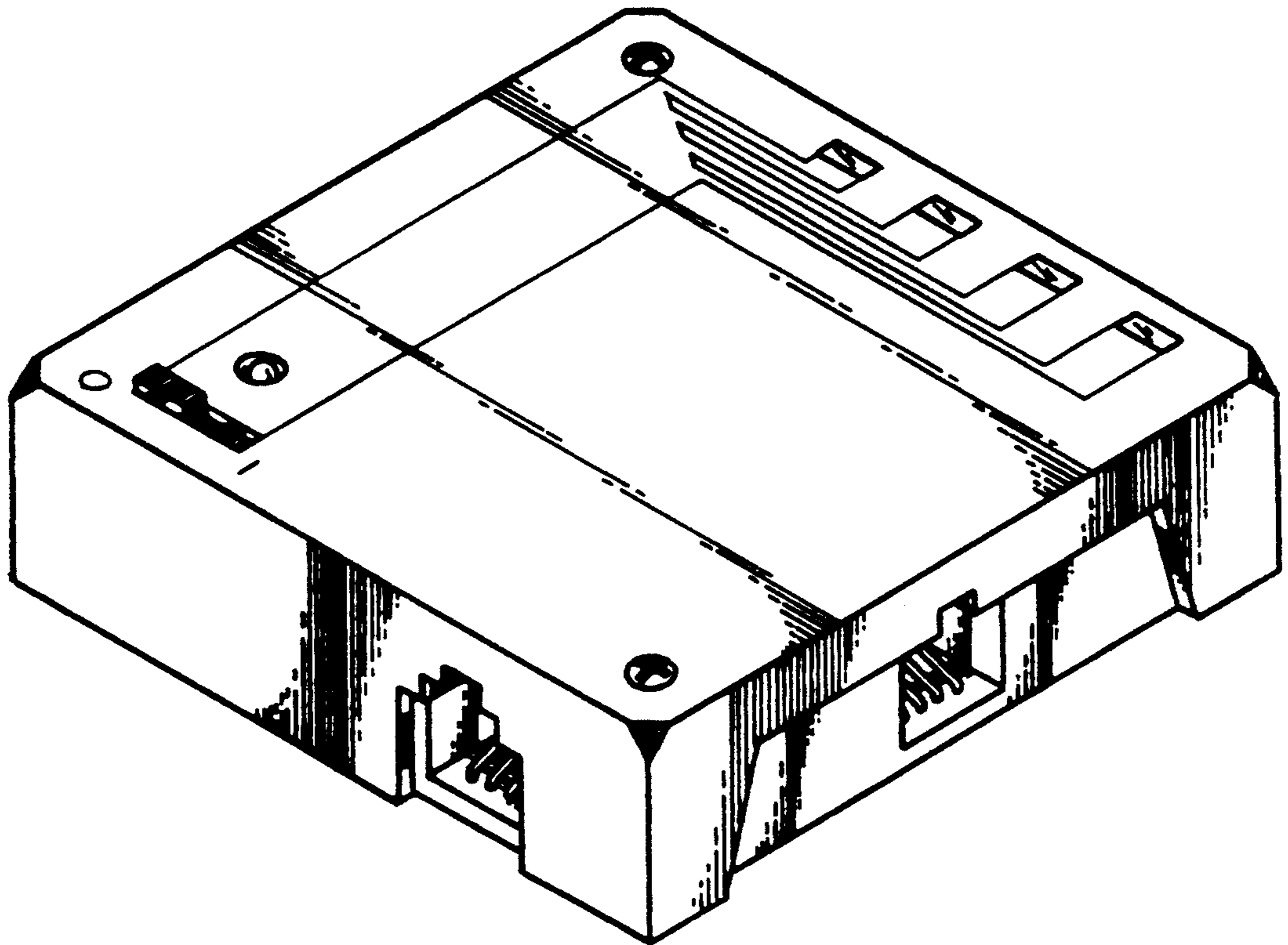


FIG. 1

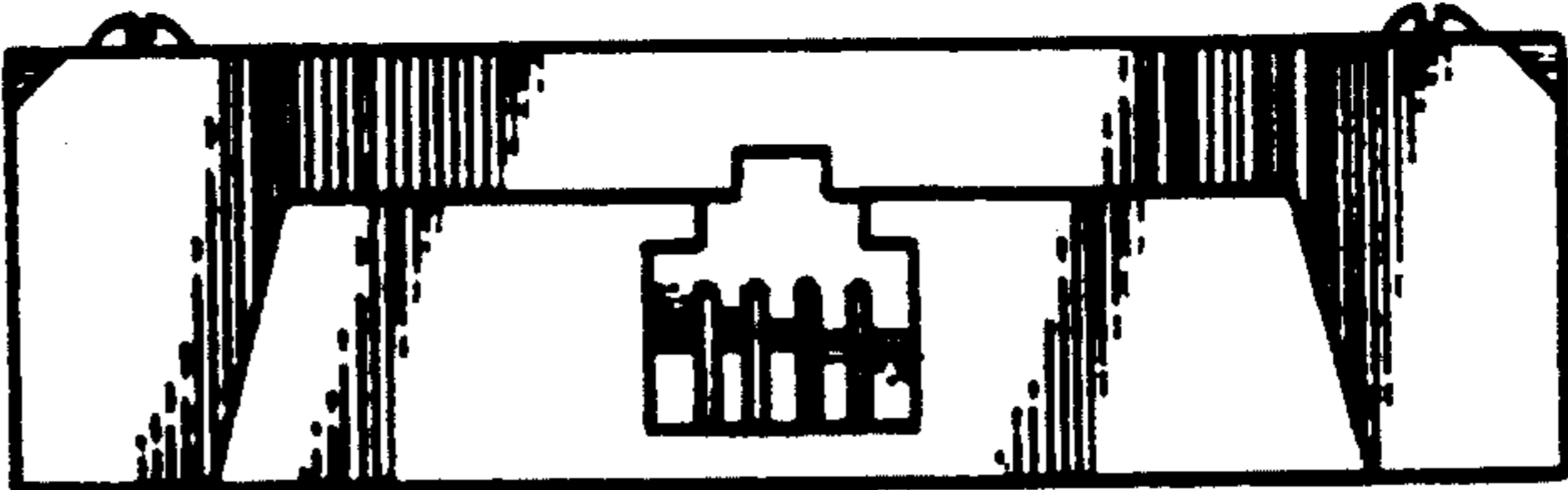


FIG. 2

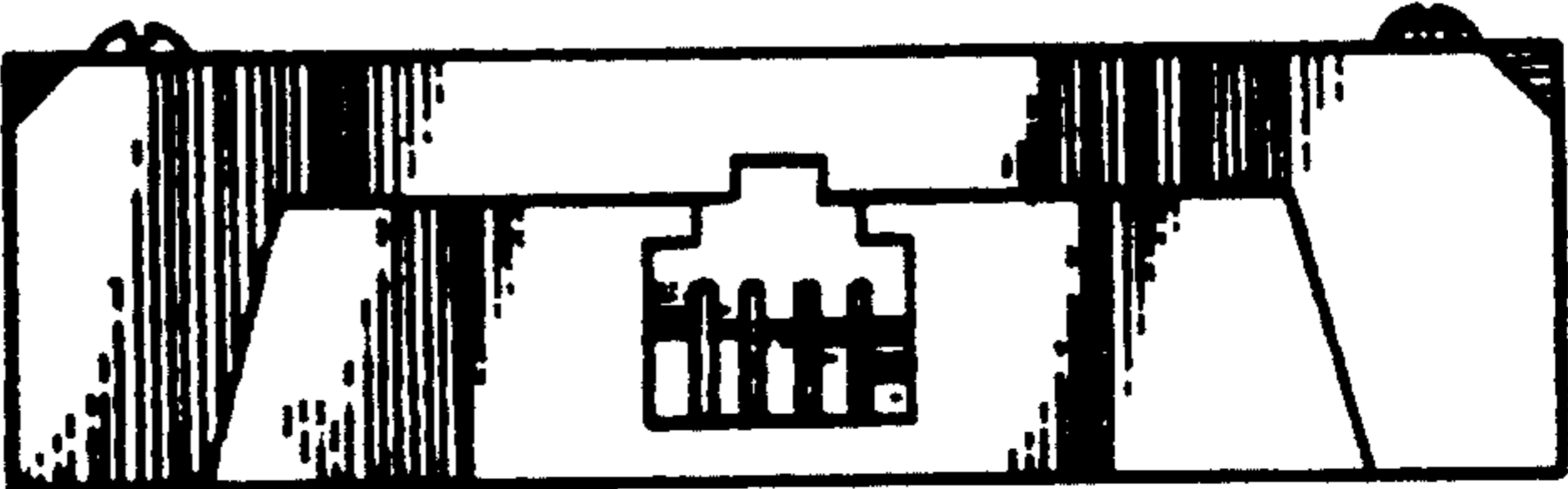


FIG. 3

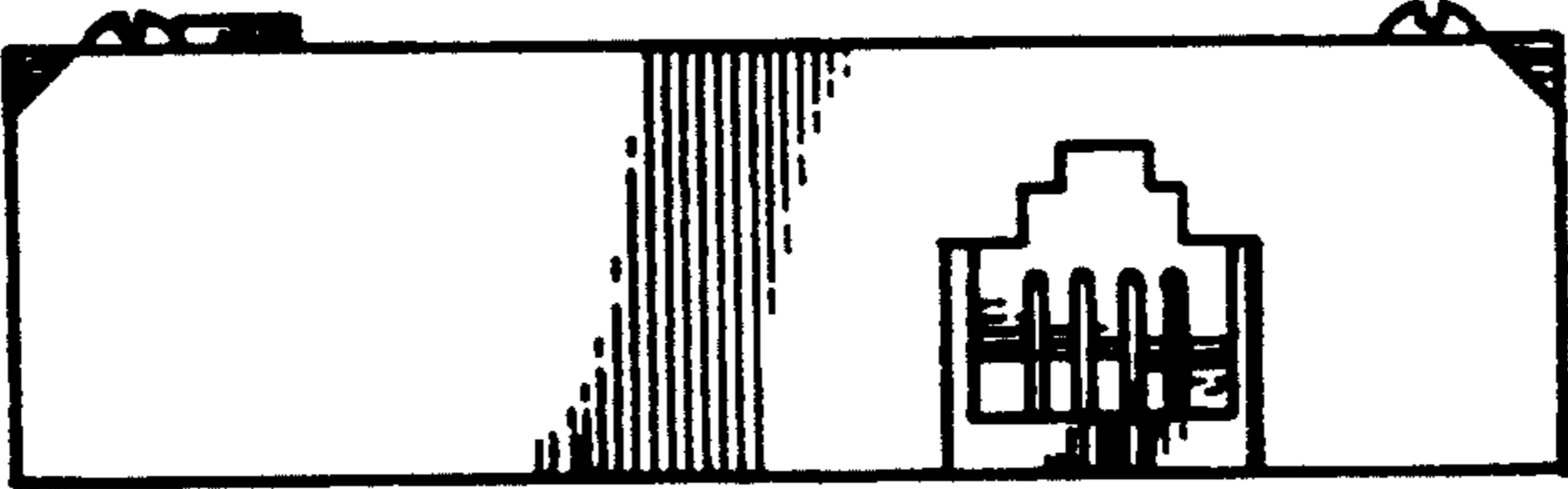


FIG. 4

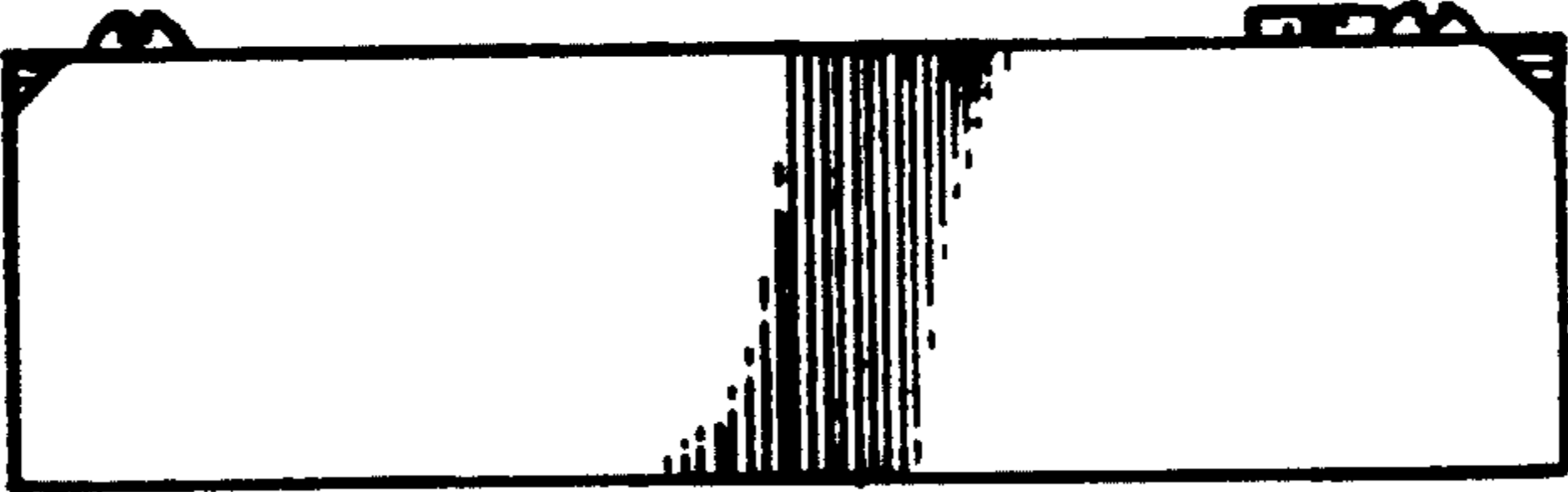


FIG. 5

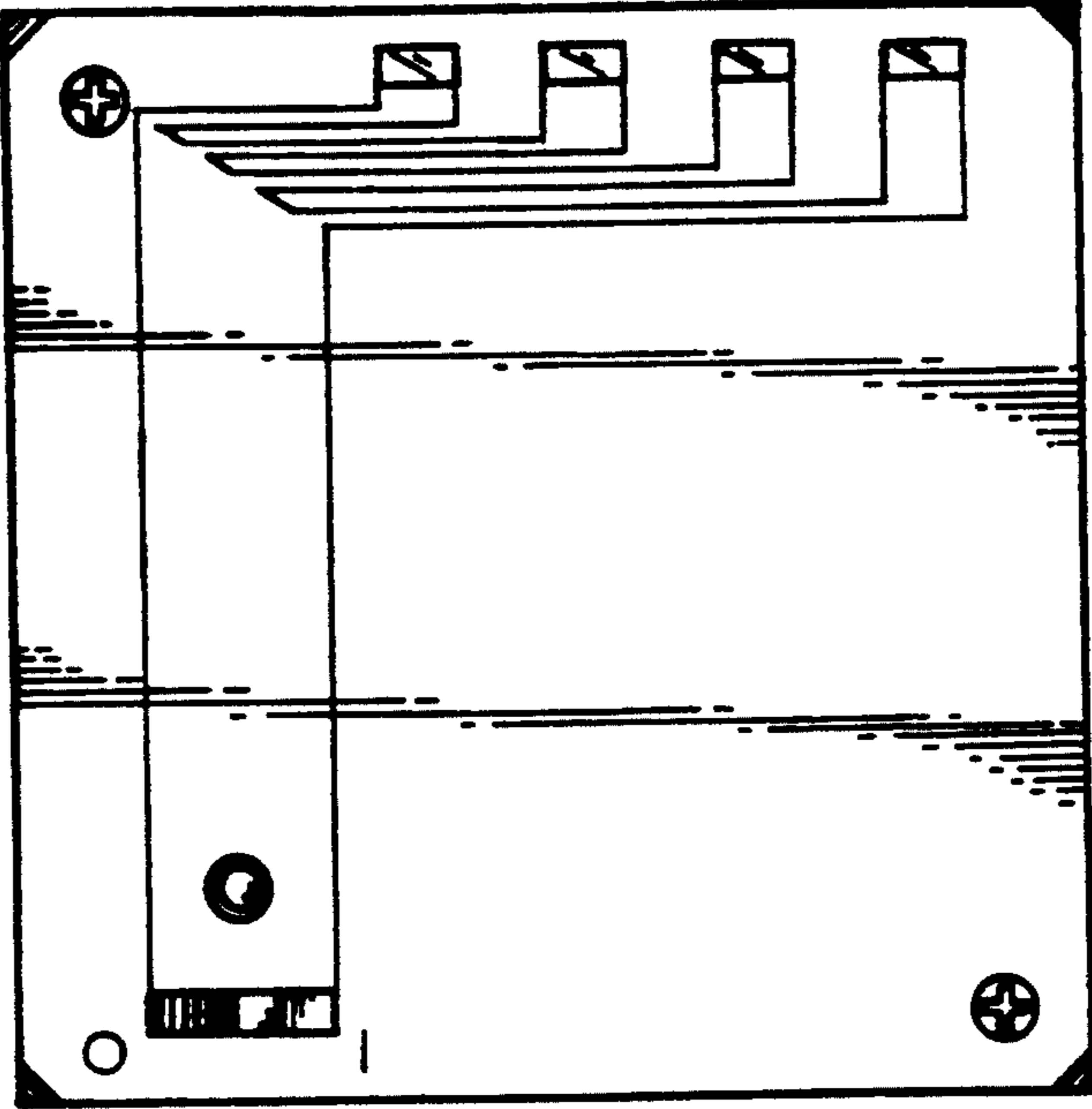


FIG. 6

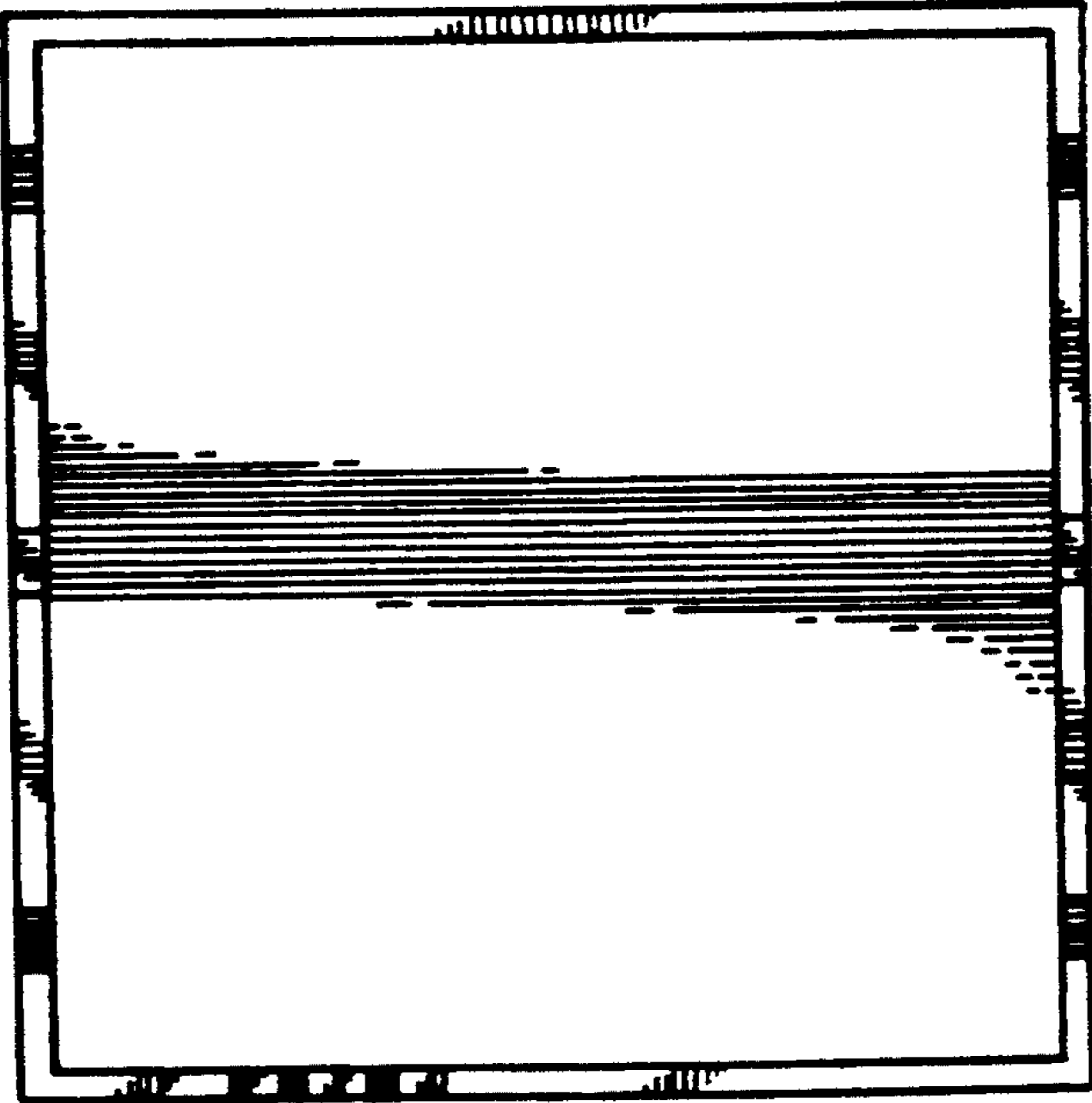


FIG. 7