



US00D346375S

United States Patent [19]

[11] Patent Number: **Des. 346,375**

Miyazaki et al.

[45] Date of Patent: **** Apr. 26, 1994**

[54] OPTICAL DISK CARTRIDGE

[75] Inventors: **Benichi Miyazaki**, Osaka; **Yukio Nishino**, Nara, both of Japan

[73] Assignee: **Matsushita Electric Industrial Co., Ltd.**, Osaka, Japan

[**] Term: **14 Years**

[21] Appl. No.: **2,054**

[22] Filed: **Dec. 1, 1992**

[30] Foreign Application Priority Data

Jun. 11, 1992 [JP] Japan 4-17421

[52] U.S. Cl. **D14/114**

[58] Field of Search 360/60, 132-133, 360/135, 97.01-99.12; 206/312, 444; D3/301, 35; D14/100, 107, 114

[56] References Cited

U.S. PATENT DOCUMENTS

D. 297,938	10/1988	Hara	D14/114
D. 307,893	5/1990	Kato et al.	D14/114
D. 311,181	10/1990	Miyazawa	D14/114
D. 311,526	10/1990	Hamada et al.	D14/114
D. 315,900	4/1991	Iwata	D14/114
D. 328,457	8/1992	Matsuzaka	D14/114
5,041,923	8/1991	Iwata et al.	360/133 X

OTHER PUBLICATIONS

Panasonic catalog, entitled "The Optical Disc", issued Jun. 1, 1991.

Toshiba catalog on its WM-S500 Series optical disc drive, issued May 1988.

Toshiba catalog, entitled "Hikari Disk Sochi", issued May 1988.

Panasonic catalog on its LF-3000E/LF-3004 3.5" Magneto Optical Disk Drive, issued Oct. 1991.

Primary Examiner—Wallace R. Burke

Assistant Examiner—M. H. Tung

Attorney, Agent, or Firm—Sughrue, Mion, Zinn, Macpeak & Seas

[57] CLAIM

The ornamental design for an optical disk cartridge, as shown and described.

DESCRIPTION

FIG. 1 is a front, top and right side perspective view of an optical disk cartridge showing our new design; FIG. 2 is a top plan view thereof; FIG. 3 is a right side elevational view thereof; FIG. 4 is a bottom plan view thereof; FIG. 5 is a left side elevational view thereof; FIG. 6 is a front elevational view thereof; FIG. 7 is a rear elevational view thereof; and, FIG. 8 is a front, top and right side perspective view thereof, the two sections of the optical disk cartridge housing separated and disclosing an internal optical disk, the opposite side of the internal optical disk is a mirror image.

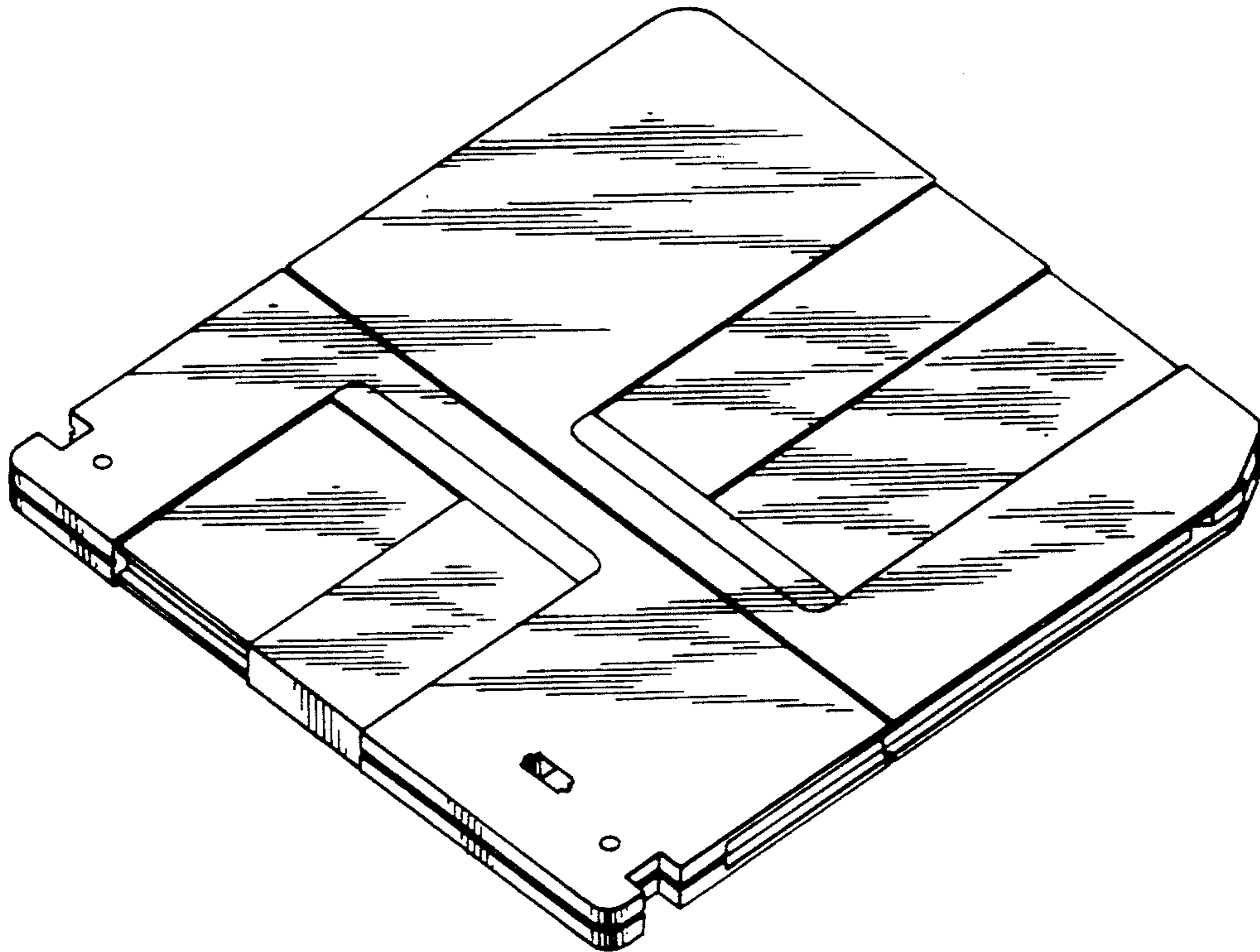


FIG. 1

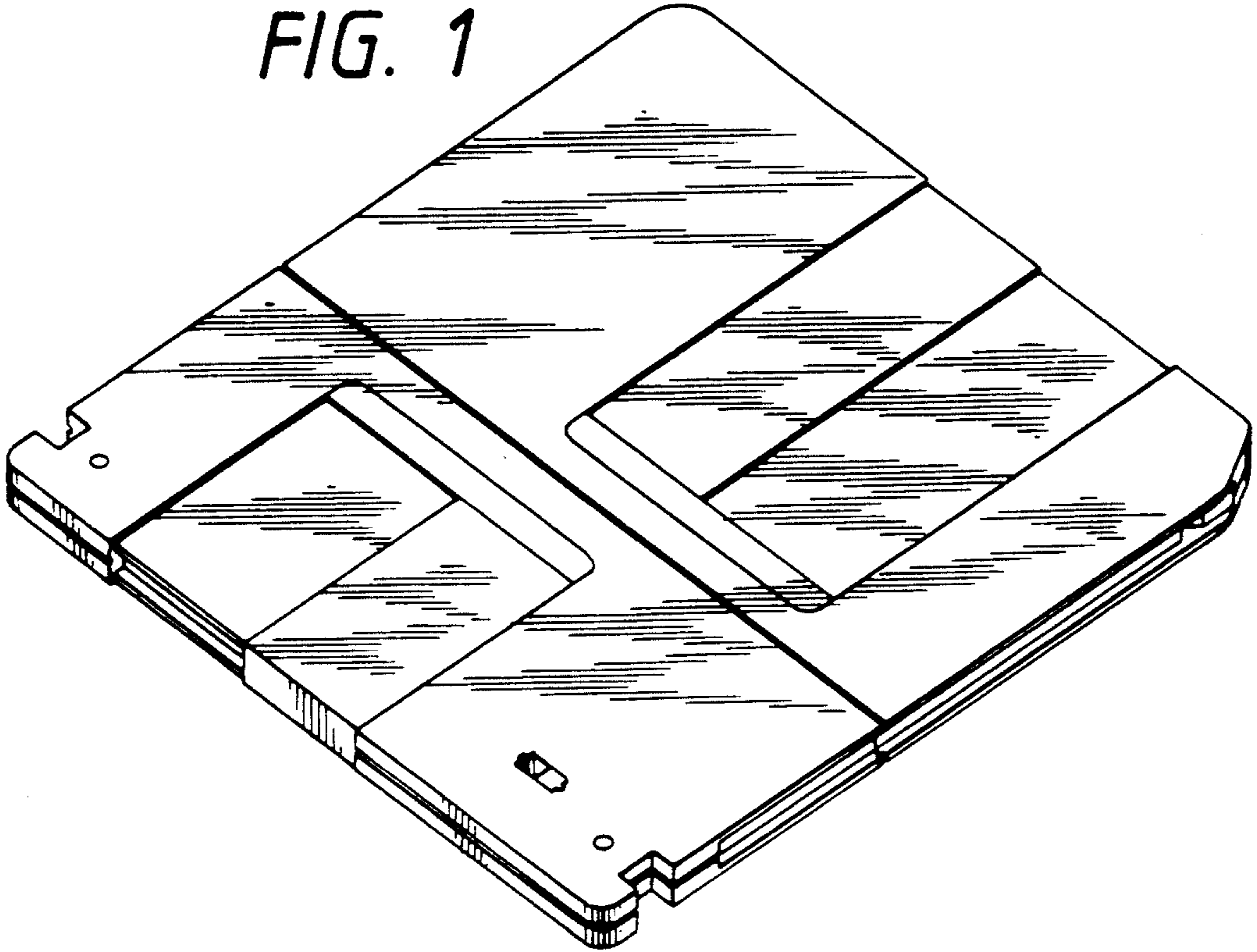


FIG. 2

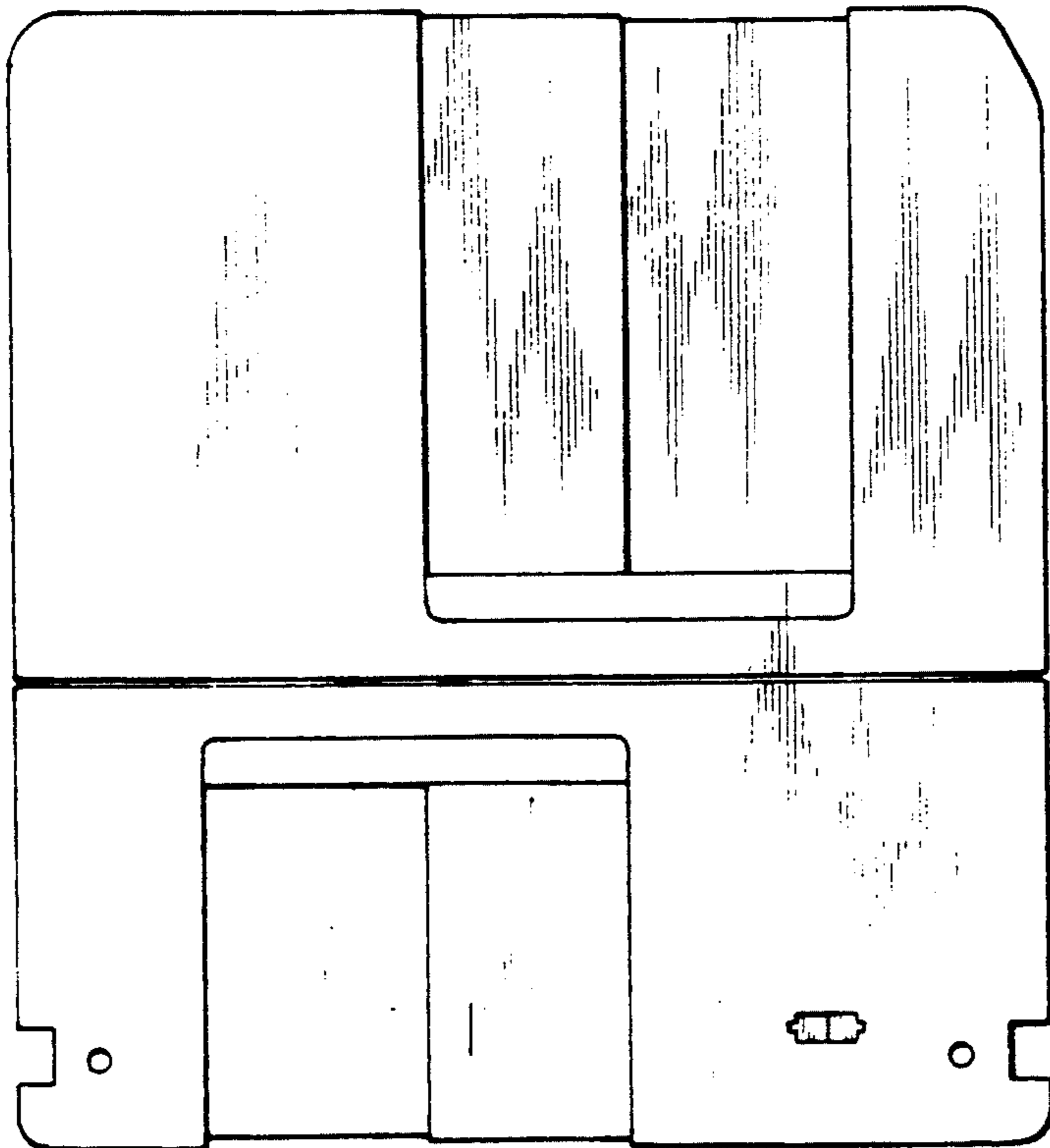


FIG. 3



FIG. 4

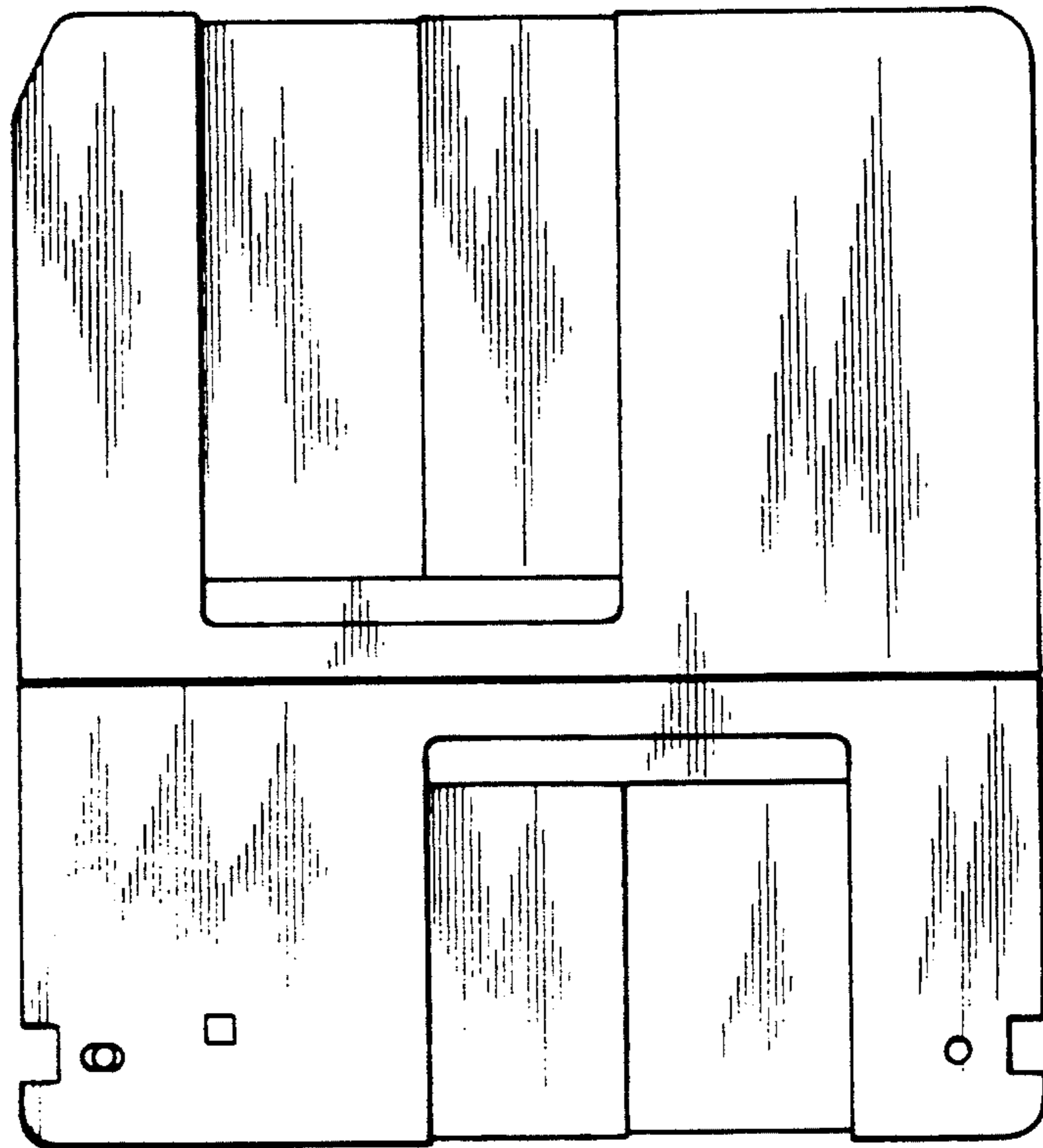


FIG. 5



FIG. 6



FIG. 7



FIG. 8

